



US00D786648S

(12) **United States Design Patent** (10) **Patent No.:** **US D786,648 S**
Zimmer (45) **Date of Patent:** **** May 16, 2017**

(54) **CABINET KNOB** 2,796,627 A * 6/1957 Heyer E05B 1/0015
16/417
(71) Applicant: **Hardware Resources, Inc.**, Bossier D185,283 S * 5/1959 Heyer D8/307
City, LA (US) 5,255,413 A * 10/1993 Sabo A47B 95/02
16/417
(72) Inventor: **Christine Zimmer**, Hillsborough, NJ D580,733 S * 11/2008 Hanes D8/305
(US) D606,381 S * 12/2009 Menzies D8/307
D679,979 S * 4/2013 Ramsland D8/307
D708,040 S * 7/2014 Han A47B 95/02
(73) Assignee: **HARDWARE RESOURCES, INC.**, D8/307
Bossier City, LA (US) D772,683 S * 11/2016 Han D8/307
D772,685 S * 11/2016 Zimmer D8/307

(**) Term: **15 Years**

(21) Appl. No.: **29/568,938**

(22) Filed: **Jun. 22, 2016**

(51) **LOC (10) Cl.** **08-06**

(52) **U.S. Cl.**
USPC **D8/307**

(58) **Field of Classification Search**
USPC D8/300, 307, 310; D7/393; D23/250,
D23/252, 254
CPC ... Y10T 292/57; Y10T 16/469; Y10T 292/82;
Y10T 74/2084; Y10T 292/85; Y10T
16/458; Y10T 16/506; Y10T 70/5155;
Y10T 16/46; Y10T 16/4559; Y10T
74/20828; Y10T 70/8541; Y10T
74/20612; Y10T 16/459; Y10T 16/487;
Y10T 70/5389; Y10T 16/462; Y10T
16/4636; E05B 1/0007; E05B 3/00; Y10S
16/30; Y10S 292/53; Y10S 292/27
See application file for complete search history.

(56) **References Cited**

U.S. PATENT DOCUMENTS

745,404 A * 12/1903 Tower 16/417
D152,901 S * 3/1949 Petersen D8/307

* cited by examiner

Primary Examiner — Derrick Holland

Assistant Examiner — Lauren Calve

(74) *Attorney, Agent, or Firm* — Schultz & Associates,
P.C.

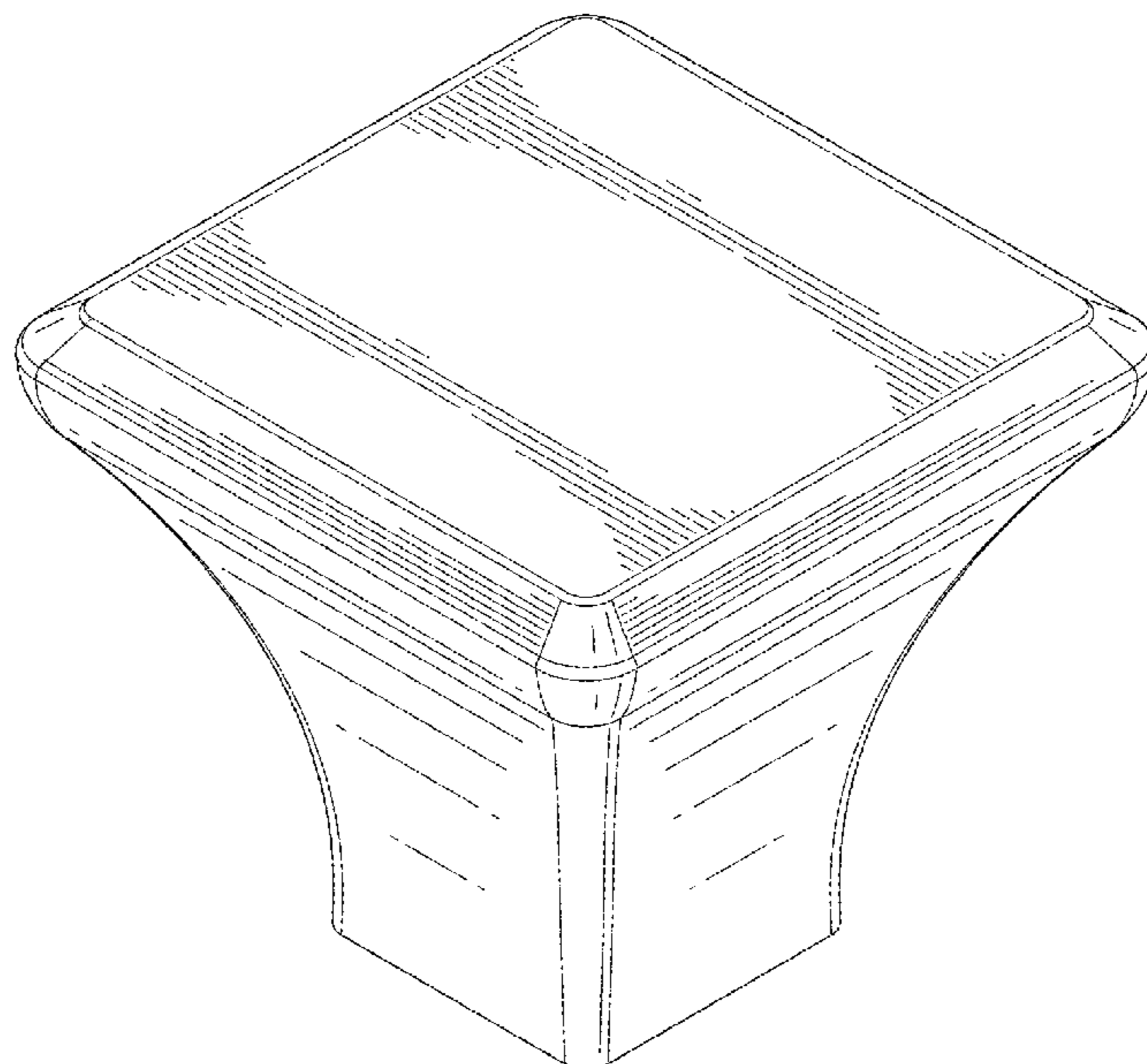
(57) **CLAIM**

The ornamental design for a cabinet knob, as shown and described.

DESCRIPTION

FIG. 1 is a perspective view of a cabinet knob showing my new design;
FIG. 2 is a side elevation view thereof;
FIG. 3 is top plan view thereof; and,
FIG. 4 is a bottom plan view thereof.
The broken lines shown represent unclaimed subject matter and form no part of the claimed design.

1 Claim, 2 Drawing Sheets



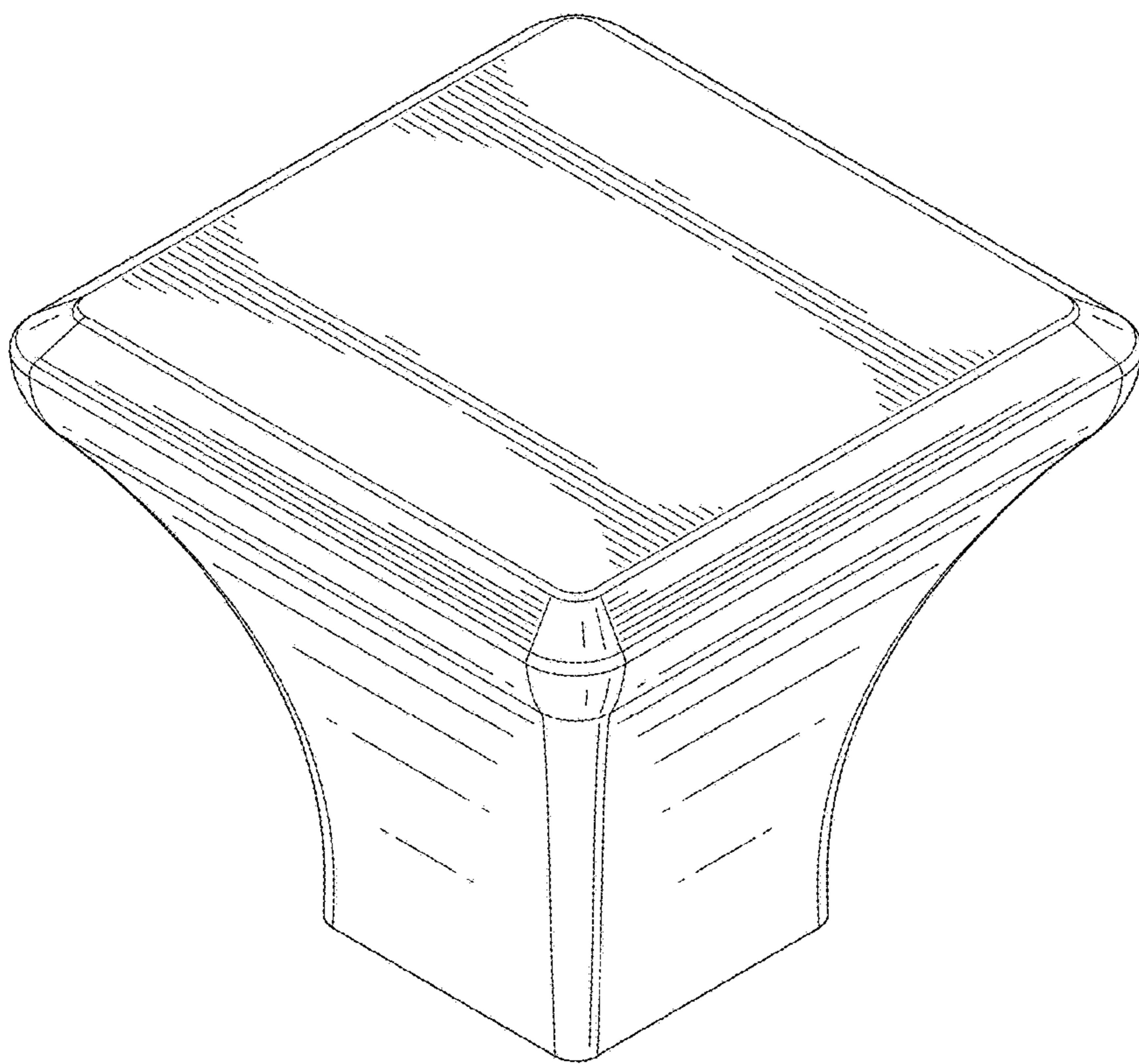


FIG. 1

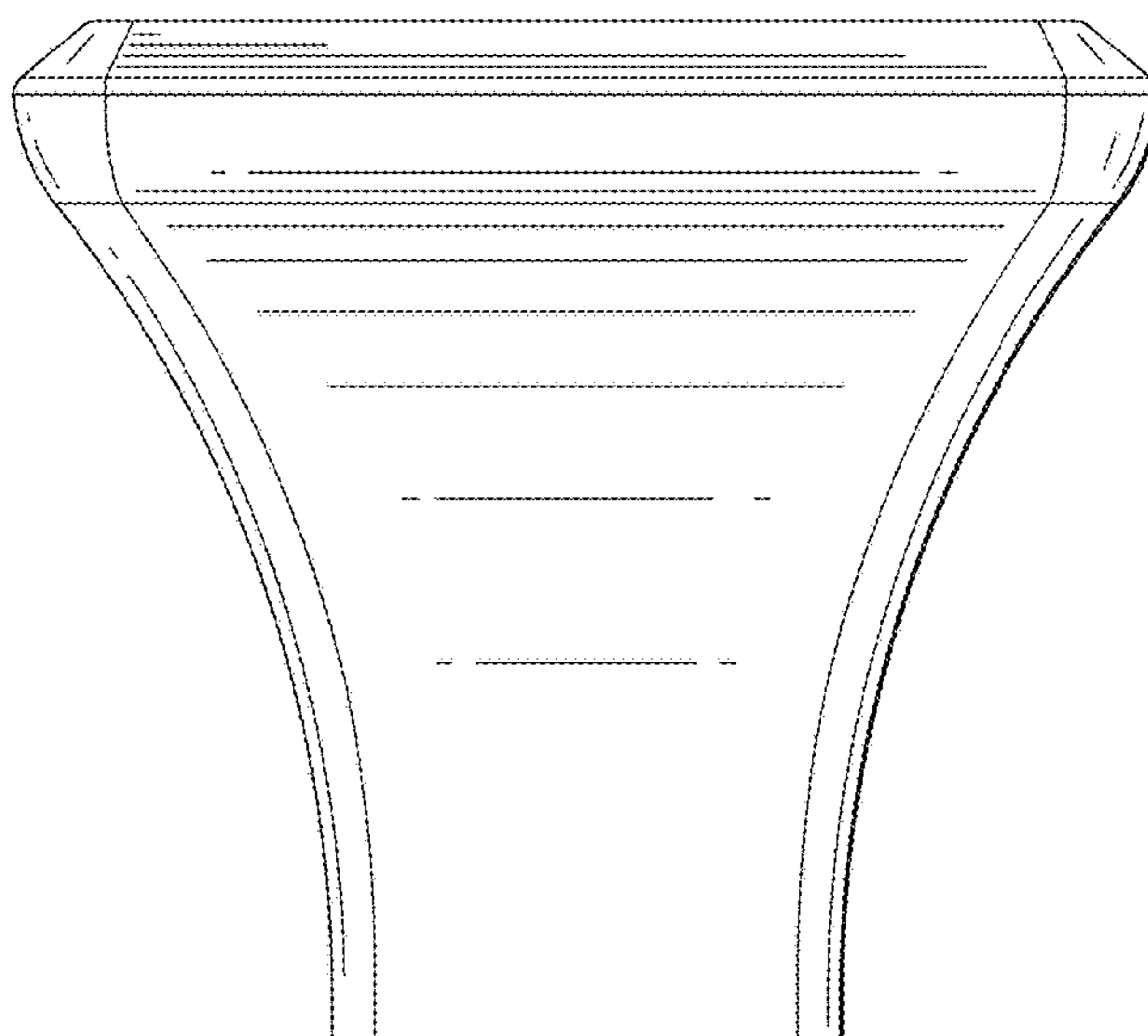


FIG. 2

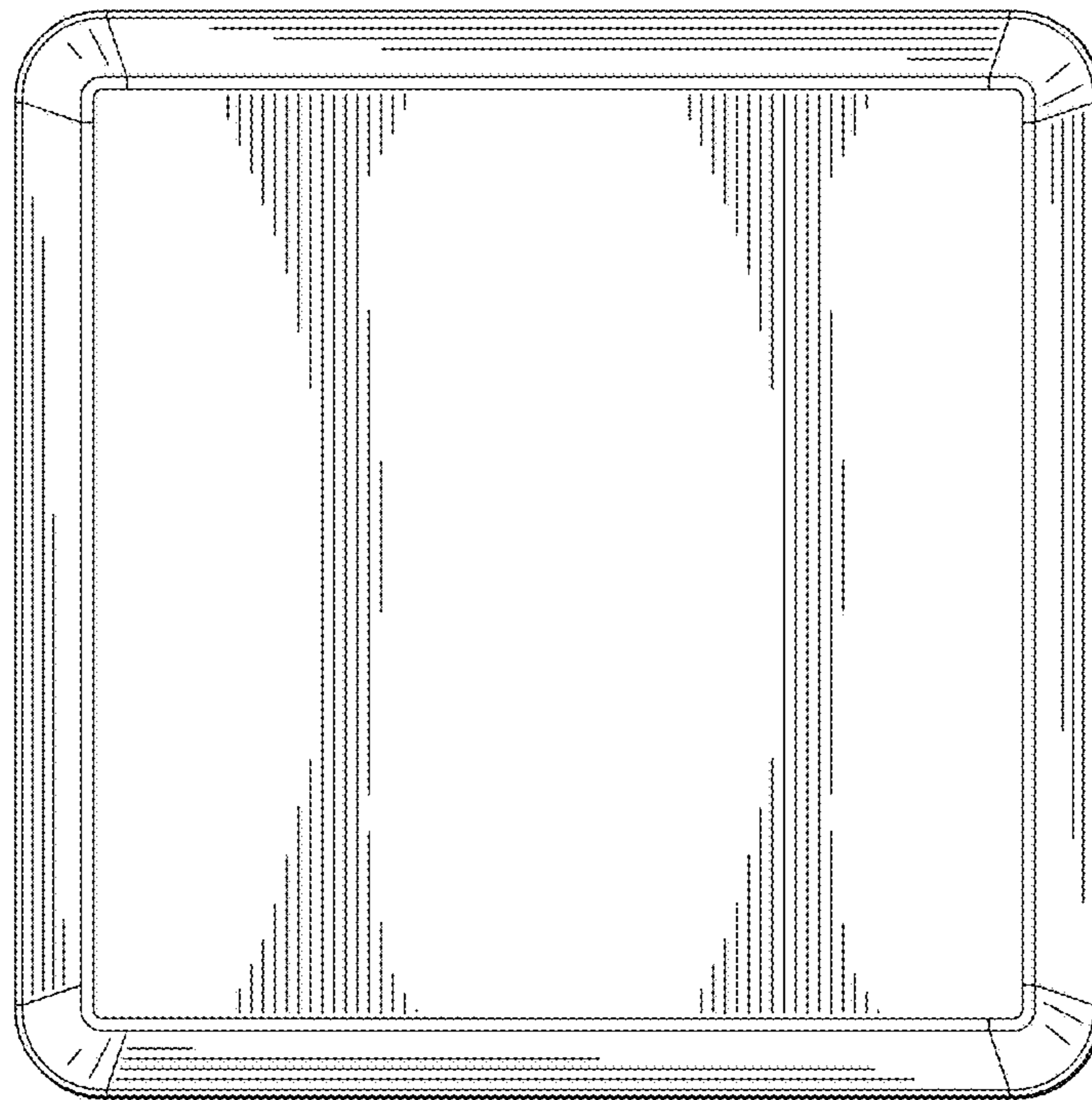


FIG. 3

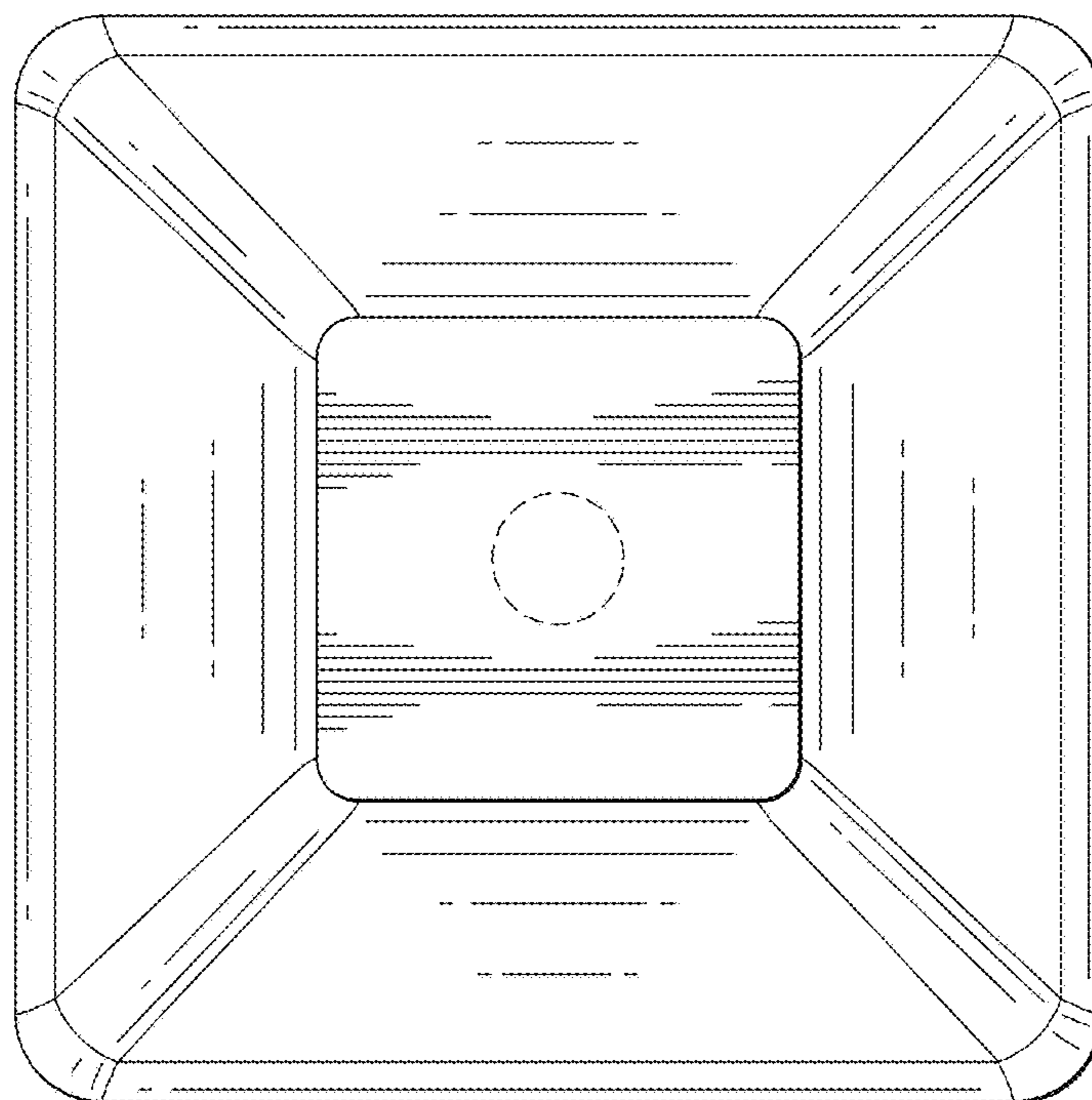


FIG. 4