



US00D786645S

(12) **United States Design Patent** (10) **Patent No.:** **US D786,645 S**  
**Svendsen et al.** (45) **Date of Patent:** **\*\* May 16, 2017**

(54) **REAMER**

(71) Applicant: **Z Drilling Holdings, Inc.**, Frederick, CO (US)

(72) Inventors: **Zan E. Svendsen**, Denver, CO (US);  
**Bruce M. Victor**, Fort Lupton, CO (US)

(73) Assignee: **Z DRILLING HOLDINGS, INC.**, Frederick, CO (US)

(\*\*) Term: **15 Years**

(21) Appl. No.: **29/544,415**

(22) Filed: **Nov. 3, 2015**

(51) **LOC (10) Cl.** ..... **08-01**

(52) **U.S. Cl.**  
USPC ..... **D8/70; D15/139**

(58) **Field of Classification Search**  
USPC ..... D8/14, 20, 47, 70; D15/21, 28, 29, 139;  
D24/146; D32/46; 30/167, 167.2, 168,  
30/366

CPC ..... B25D 3/00; B25D 11/102; B25D 17/005  
See application file for complete search history.

(56) **References Cited**

**U.S. PATENT DOCUMENTS**

D189,499 S \* 12/1960 Sussman ..... D15/139  
3,052,310 A 9/1962 Kinzbach  
4,231,437 A 11/1980 Swersky et al.  
4,385,669 A 5/1983 Knutsen

(Continued)

**FOREIGN PATENT DOCUMENTS**

FR 2877596 A1 11/2004  
WO 9937881 A1 7/1999

(Continued)

*Primary Examiner* — Darlington Ly

(74) *Attorney, Agent, or Firm* — Aileen Law; Oppedahl Patent Law Firm LLC

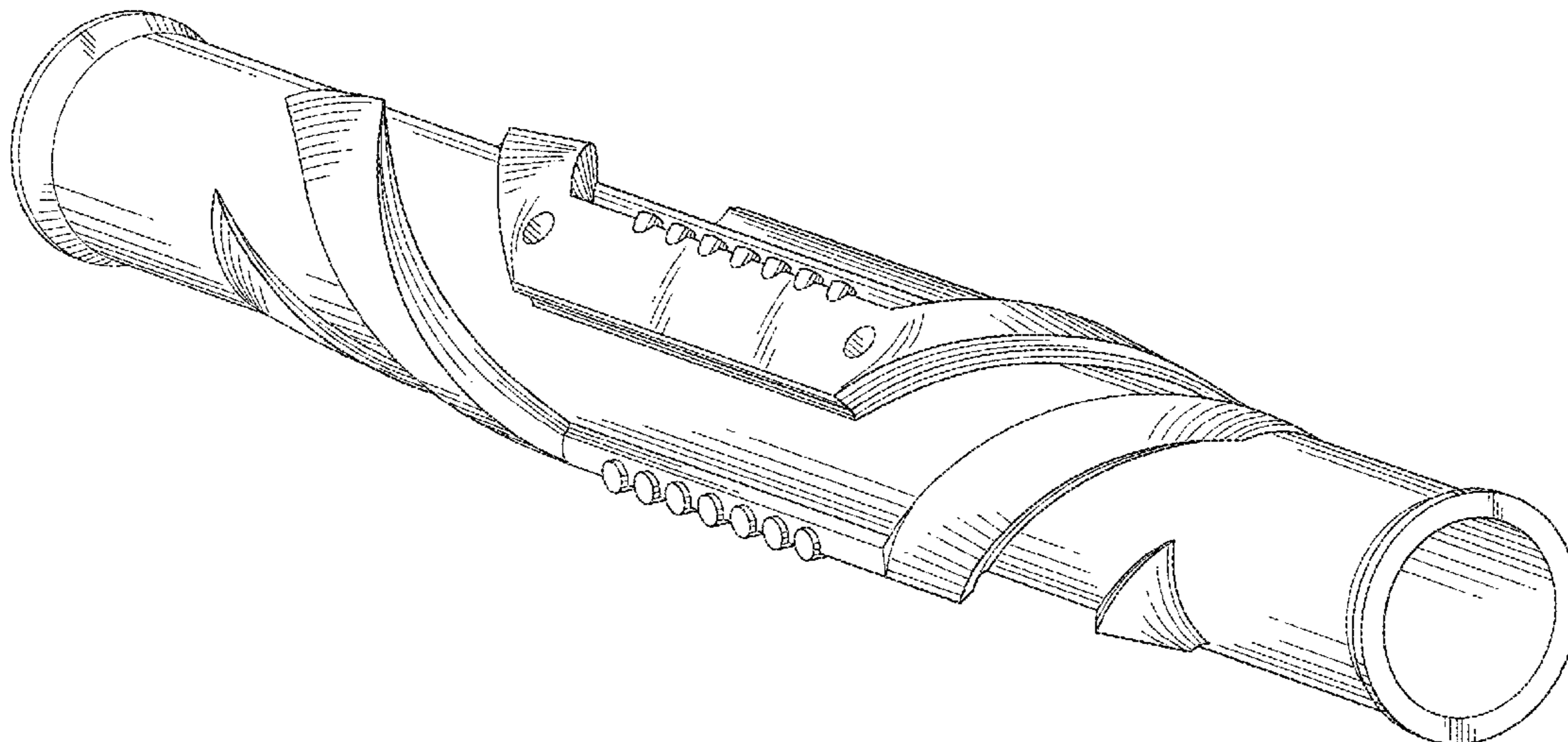
(57) **CLAIM**

The ornamental design for a reamer, as shown and described.

**DESCRIPTION**

FIG. 1 is a perspective view of a reamer showing our new design in accordance to a first embodiment; FIG. 2 is a front elevation view thereof; FIG. 3 is a rear elevation view thereof; FIG. 4 is a top plan view thereof; FIG. 5 is a bottom plan view thereof; FIG. 6 is a left side elevation view thereof; FIG. 7 is a right side elevation view thereof; and FIG. 8 is a cross-sectional view thereof, of which the section is taken along reference line 8-8 in FIG. 1. FIG. 9 is a perspective view of a reamer showing our new design in accordance to a second embodiment; FIG. 10 is a front elevation view thereof; FIG. 11 is a rear elevation view thereof; FIG. 12 is a top plan view thereof; FIG. 13 is a bottom plan view thereof; FIG. 14 is a left side elevation view thereof; FIG. 15 is a right side elevation view thereof; and FIG. 16 is a cross-sectional view thereof, of which the section is taken along reference line 16-16 in FIG. 9. FIG. 17 is a perspective view of a reamer showing our new design in accordance to a second embodiment; FIG. 18 is a front elevation view thereof; FIG. 19 is a rear elevation view thereof; FIG. 20 is a top plan view thereof; FIG. 21 is a bottom plan view thereof; FIG. 22 is a left side elevation view thereof; FIG. 23 is a right side elevation view thereof; and, FIG. 24 is a cross-sectional view thereof, of which the section is taken along reference line 24-24 in FIG. 17. The broken lines in the drawings illustrate portions of the reamer that forms no part of the claimed design.

**1 Claim, 9 Drawing Sheets**



(56)

References Cited

U.S. PATENT DOCUMENTS

D321,894 S 11/1991 Harris  
 5,195,892 A \* 3/1993 Gersberg ..... A61C 8/0022  
 433/173  
 5,261,818 A \* 11/1993 Shaw ..... A61C 8/0089  
 433/165  
 5,341,888 A 8/1994 Deschutter  
 5,400,861 A \* 3/1995 Sheirer ..... E21B 10/38  
 175/427  
 5,474,143 A 12/1995 Majkovic  
 D378,780 S \* 4/1997 Shuler ..... D24/146  
 D400,547 S \* 11/1998 Albrektsson ..... D15/139  
 6,062,326 A 5/2000 Strong et al.  
 6,213,229 B1 4/2001 Majkovic  
 6,349,779 B1 2/2002 Gilbert  
 6,401,820 B1 6/2002 Kirk et al.  
 6,427,782 B2 \* 8/2002 Brady ..... C21D 9/22  
 173/DIG. 2  
 D483,042 S \* 12/2003 Brady ..... D15/21  
 D483,382 S \* 12/2003 Brady ..... D15/21  
 6,659,173 B2 12/2003 Kirk et al.  
 D504,446 S \* 4/2005 Kobayashi ..... D15/139  
 6,983,811 B2 1/2006 Wardley  
 7,066,253 B2 6/2006 Baker  
 7,083,010 B2 8/2006 Eppink et al.  
 D547,778 S 7/2007 Hodges  
 D585,920 S \* 2/2009 Liao ..... D15/139  
 7,493,971 B2 2/2009 Nevlud et al.  
 7,506,703 B2 3/2009 Campbell et al.  
 D600,809 S \* 9/2009 Petersen ..... D24/146  
 D608,802 S \* 1/2010 Ibarra ..... D15/139  
 7,650,952 B2 1/2010 Evans et al.  
 7,658,241 B2 2/2010 Lassoie et al.  
 8,020,635 B2 9/2011 Radford  
 8,025,662 B2 \* 9/2011 Knisely ..... A61B 17/16  
 408/227  
 8,162,081 B2 4/2012 Ballard et al.  
 8,191,655 B2 6/2012 Declute-Melancon  
 8,196,679 B2 6/2012 Radford

8,201,642 B2 6/2012 Radford et al.  
 8,297,381 B2 10/2012 Radford et al.  
 8,336,645 B2 12/2012 Robson et al.  
 8,381,843 B1 2/2013 Lamontagne  
 8,434,520 B2 5/2013 Frank et al.  
 D685,090 S \* 6/2013 Duerr ..... D24/146  
 8,453,763 B2 6/2013 Radford et al.  
 D685,473 S \* 7/2013 Head ..... D24/146  
 D686,896 S \* 7/2013 Guelat ..... D15/139  
 D687,871 S \* 8/2013 Liao ..... D15/139  
 8,584,776 B2 11/2013 Radford et al.  
 8,607,900 B1 12/2013 Smith  
 8,622,126 B2 1/2014 Scott et al.  
 8,657,038 B2 2/2014 Radford et al.  
 D709,111 S \* 7/2014 Liao ..... D15/139  
 D733,881 S \* 7/2015 Fregoso ..... D24/152  
 D733,882 S \* 7/2015 Fregoso ..... D24/152  
 D734,463 S \* 7/2015 Fregoso ..... D24/152  
 D741,484 S \* 10/2015 Cho ..... D24/146  
 2001/0020552 A1 9/2001 Beaton et al.  
 2003/0075364 A1 4/2003 Wardley  
 2003/0155155 A1 8/2003 Dewey et al.  
 2005/0145417 A1 7/2005 Radford  
 2005/0241858 A1 11/2005 Eppink et al.  
 2006/0100631 A1 \* 5/2006 Sullivan ..... A61B 17/1631  
 606/80  
 2006/0113113 A1 6/2006 Underwood et al.  
 2006/0144623 A1 7/2006 Ollerensaw et al.  
 2008/0093076 A1 4/2008 Patil et al.  
 2008/0128174 A1 6/2008 Radford et al.  
 2009/0114448 A1 5/2009 Laird et al.  
 2009/0116919 A1 \* 5/2009 Dost ..... B27G 15/00  
 408/214  
 2012/0255786 A1 10/2012 Isenhour

FOREIGN PATENT DOCUMENTS

WO 2007093169 A2 8/2007  
 WO 2010085529 A1 7/2010

\* cited by examiner



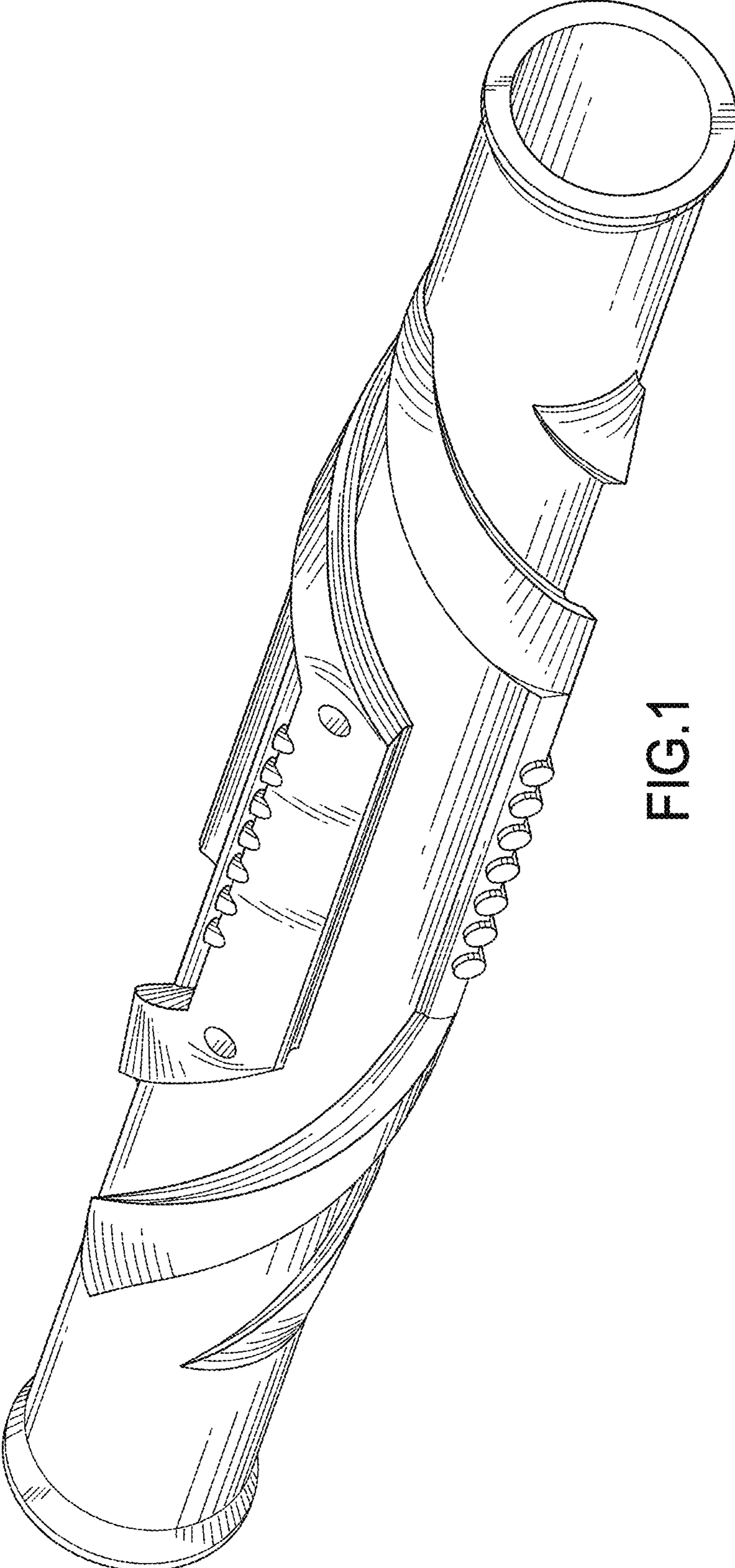


FIG.1

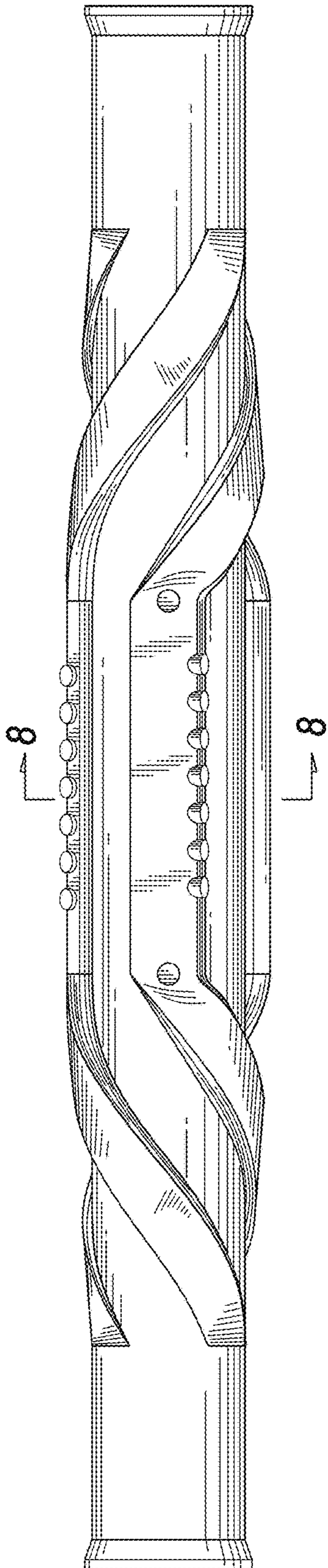


FIG. 2

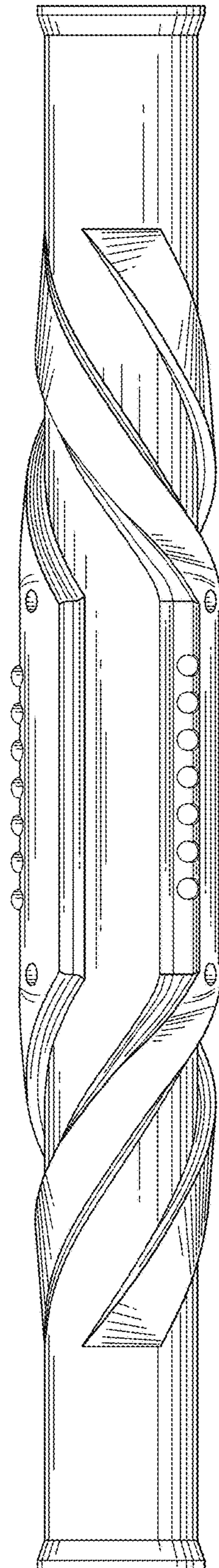


FIG. 3



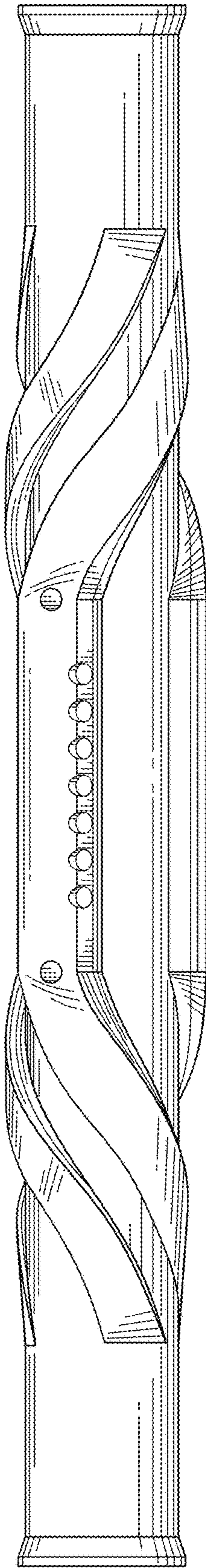


FIG. 4

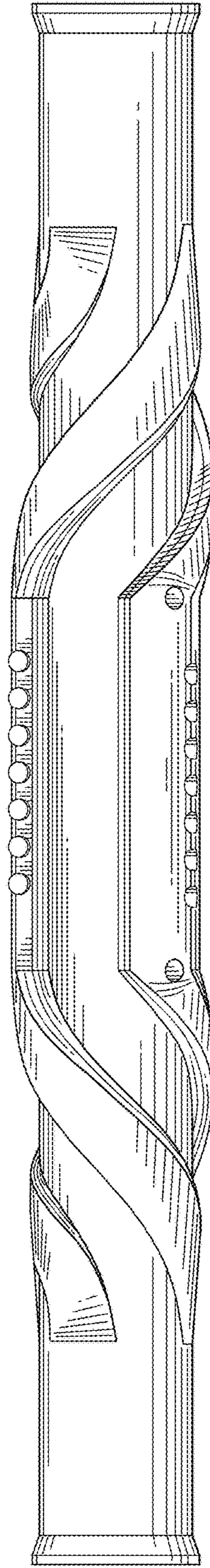


FIG. 5

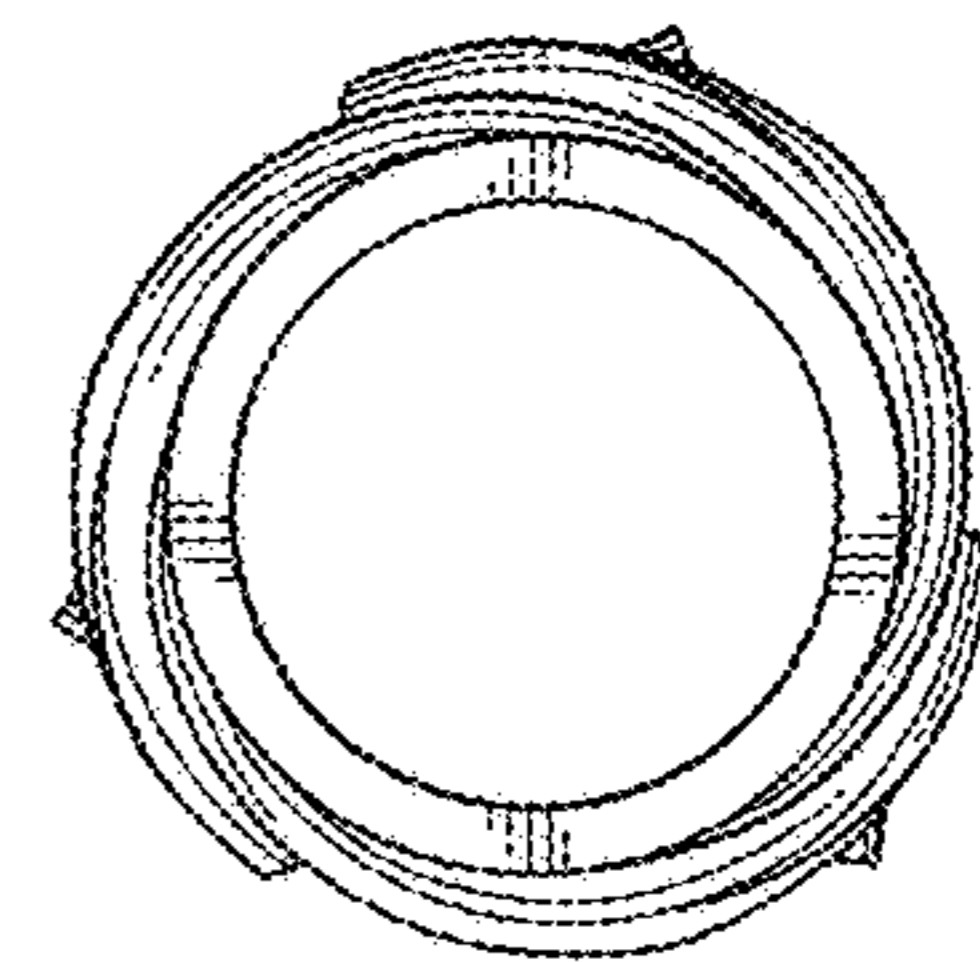


FIG. 6

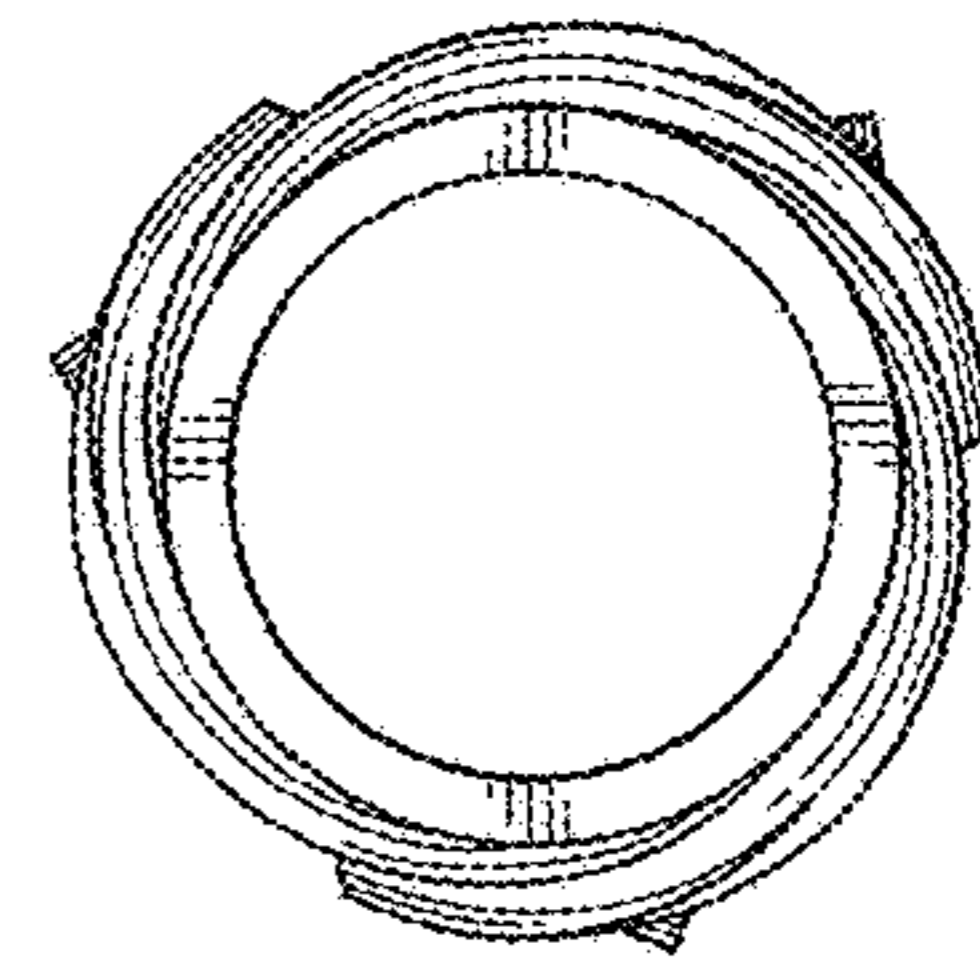


FIG. 7

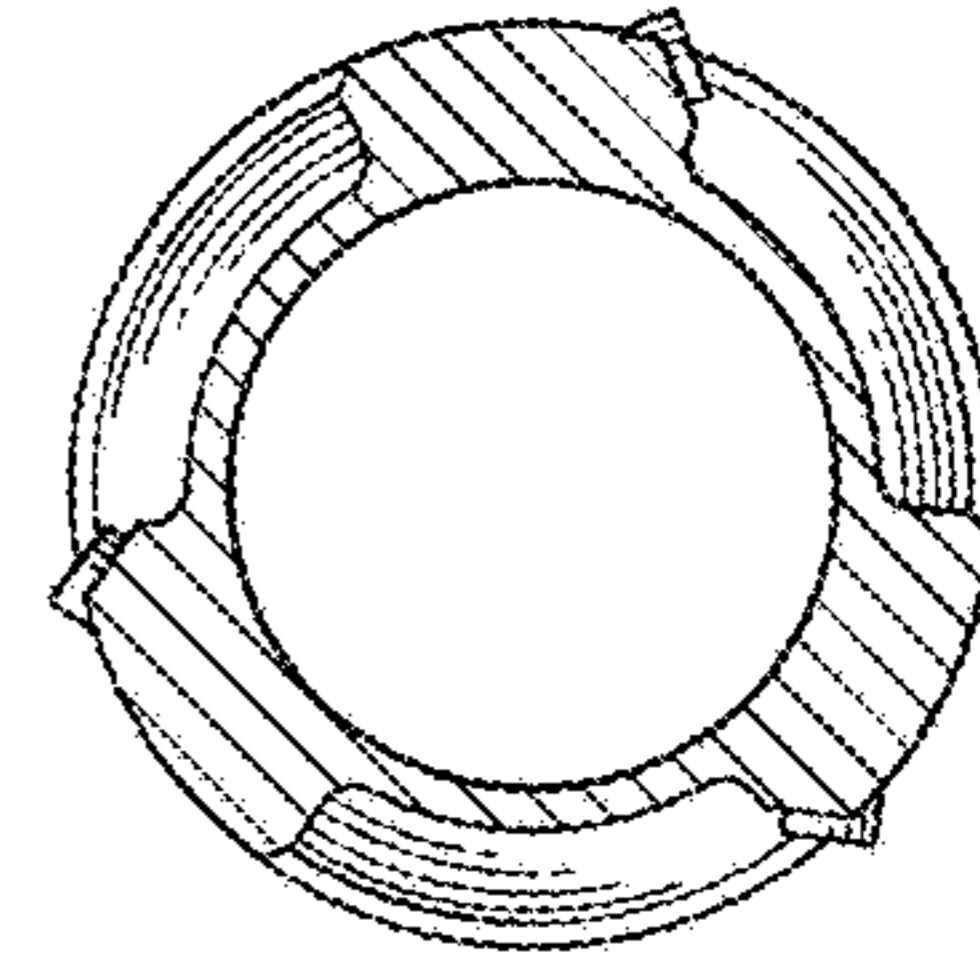


FIG. 8

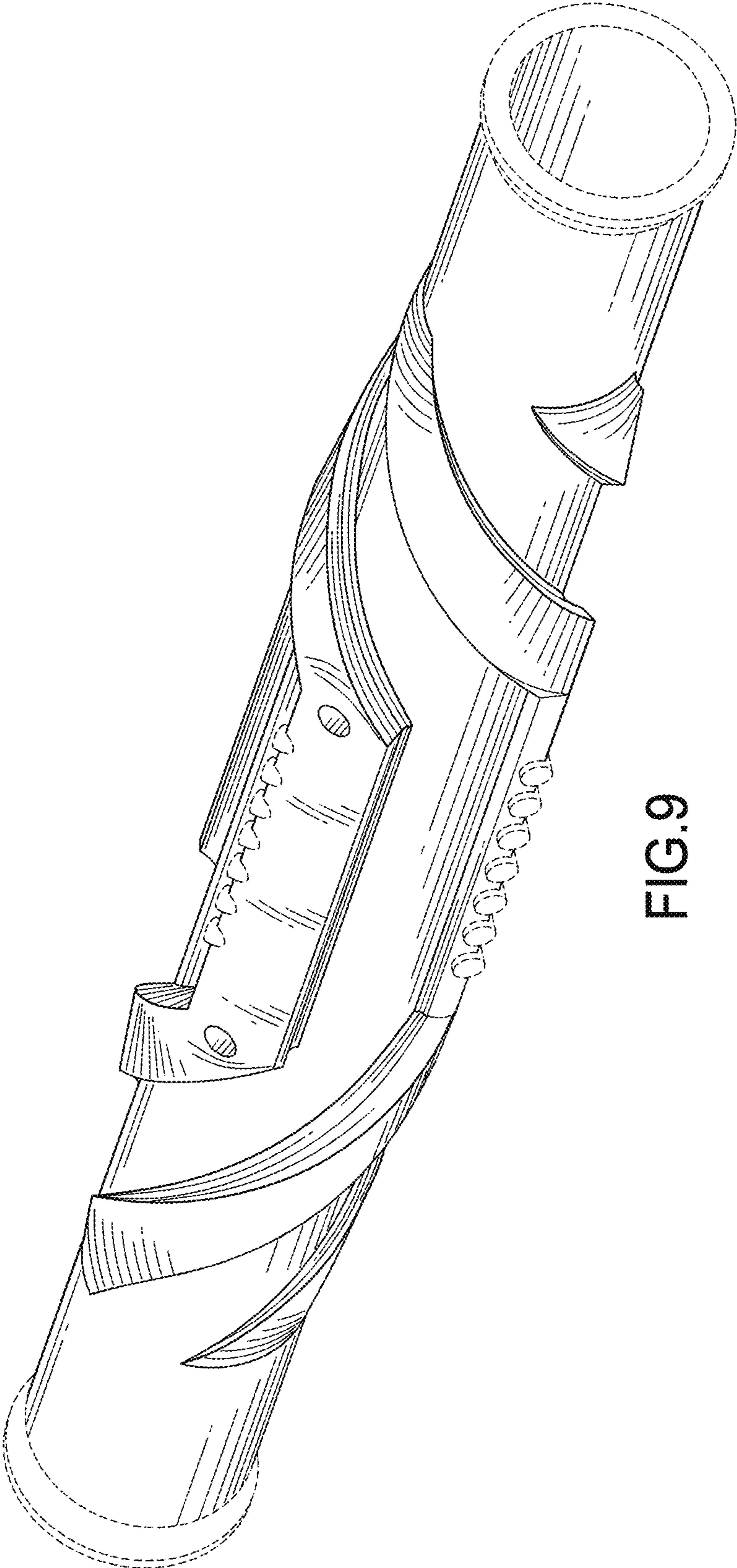


FIG.9



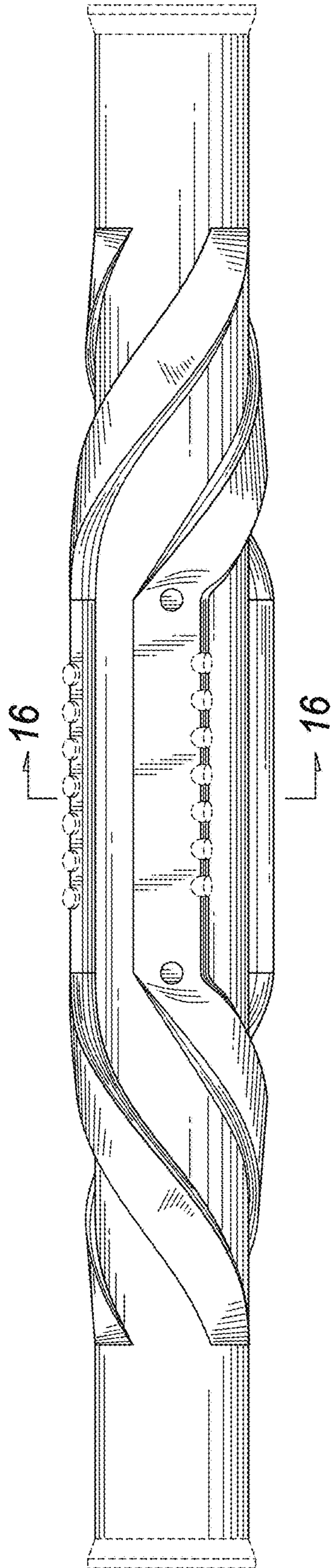


FIG. 10

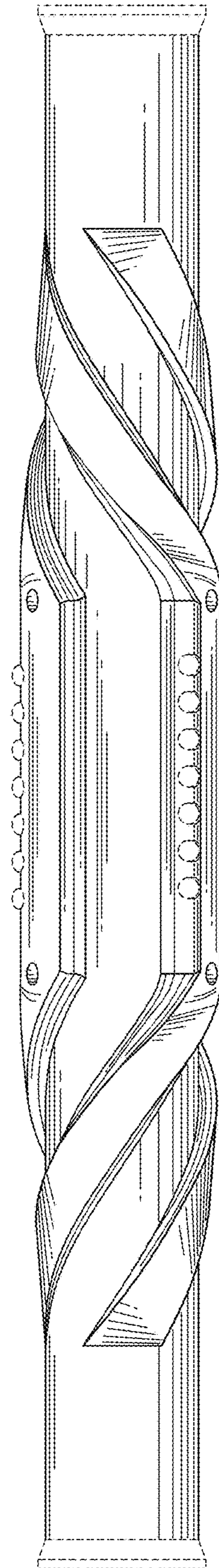


FIG. 11

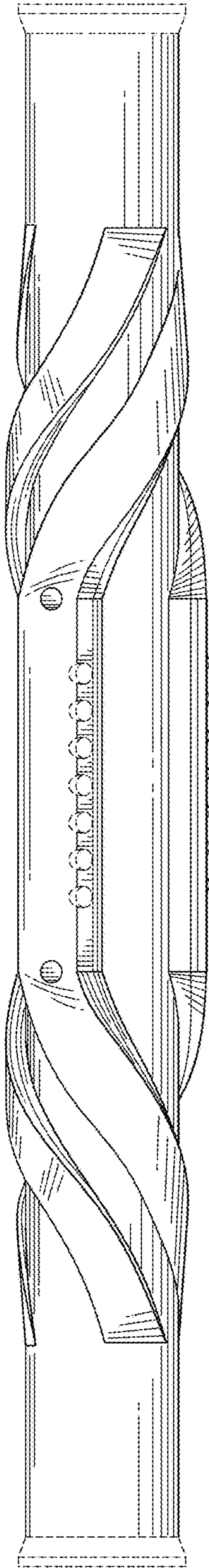


FIG. 12

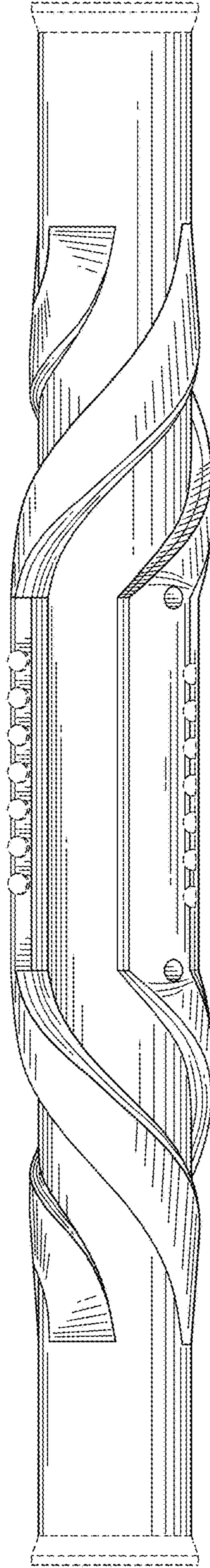


FIG. 13

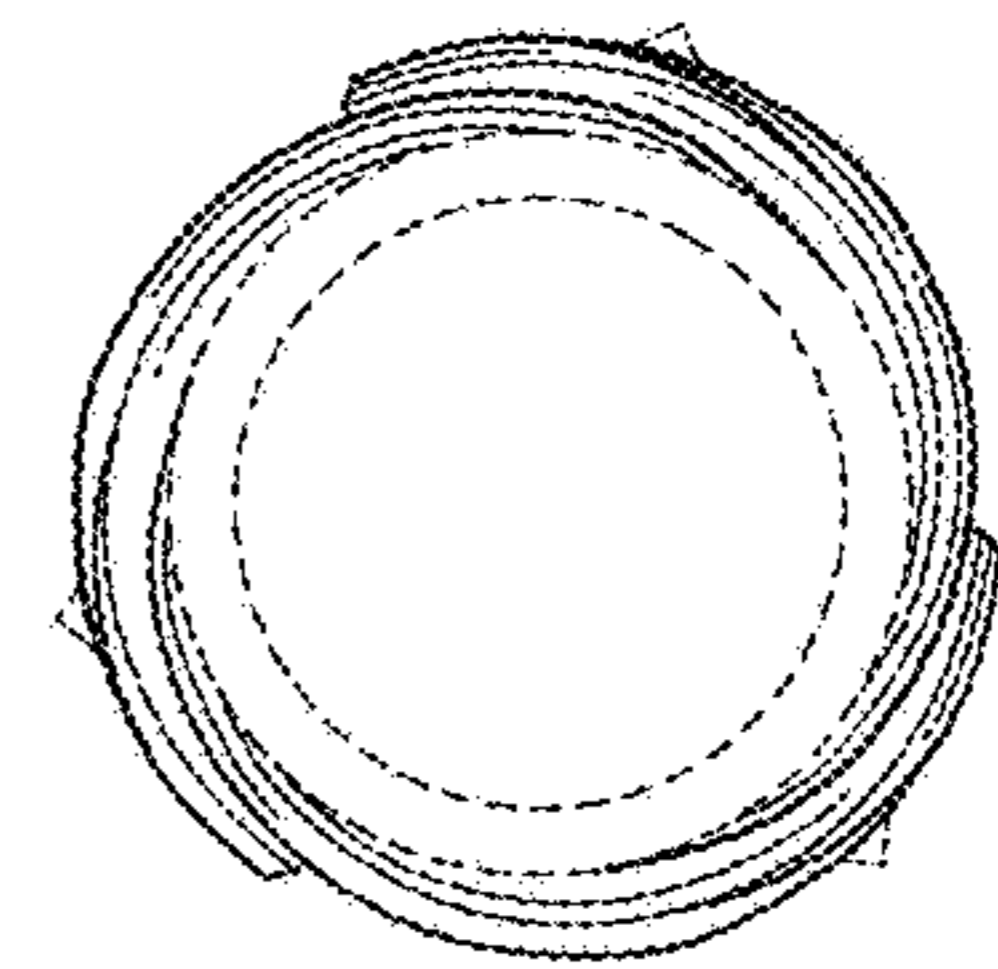


FIG. 14

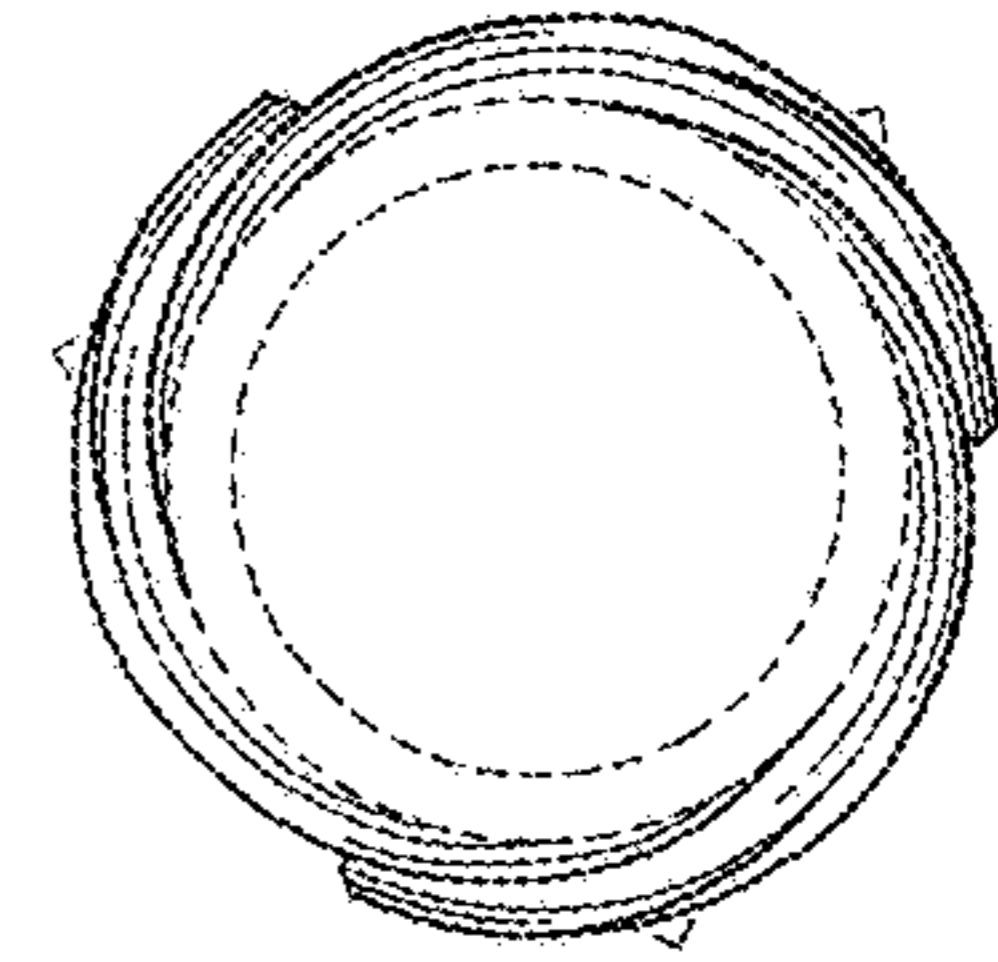


FIG. 15

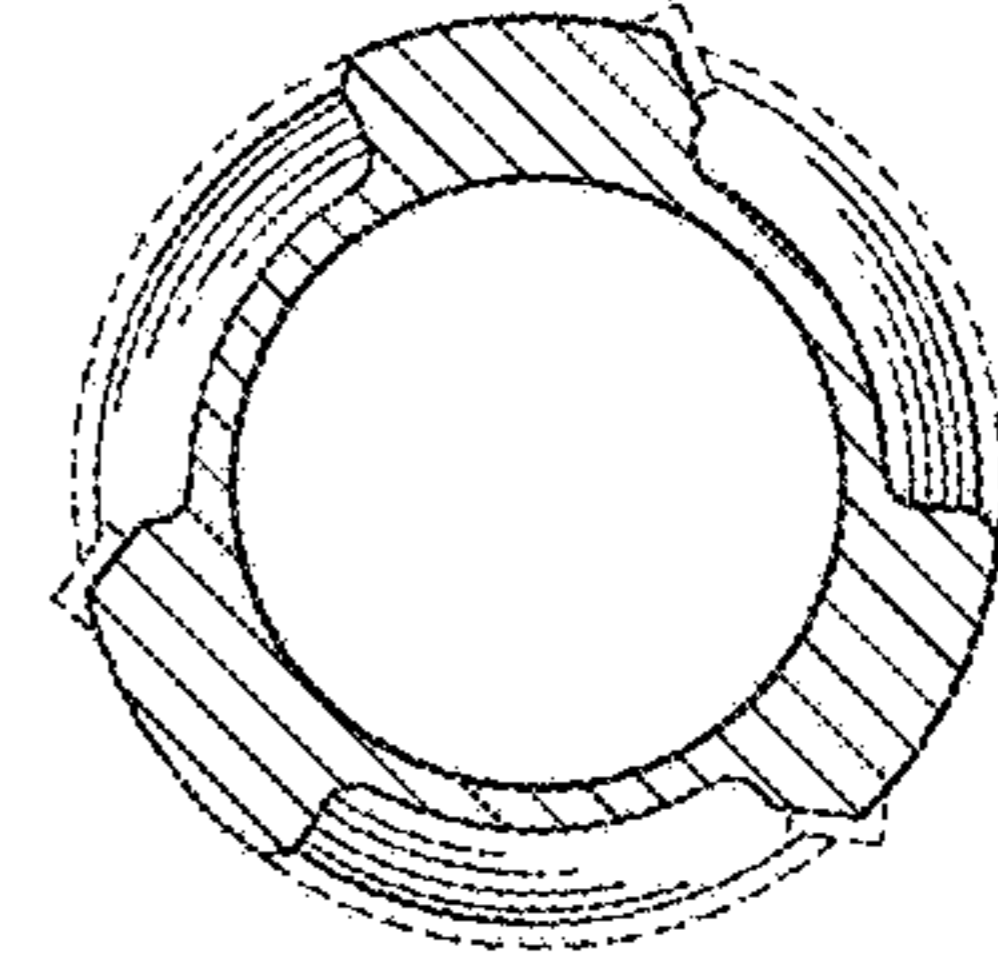


FIG. 16



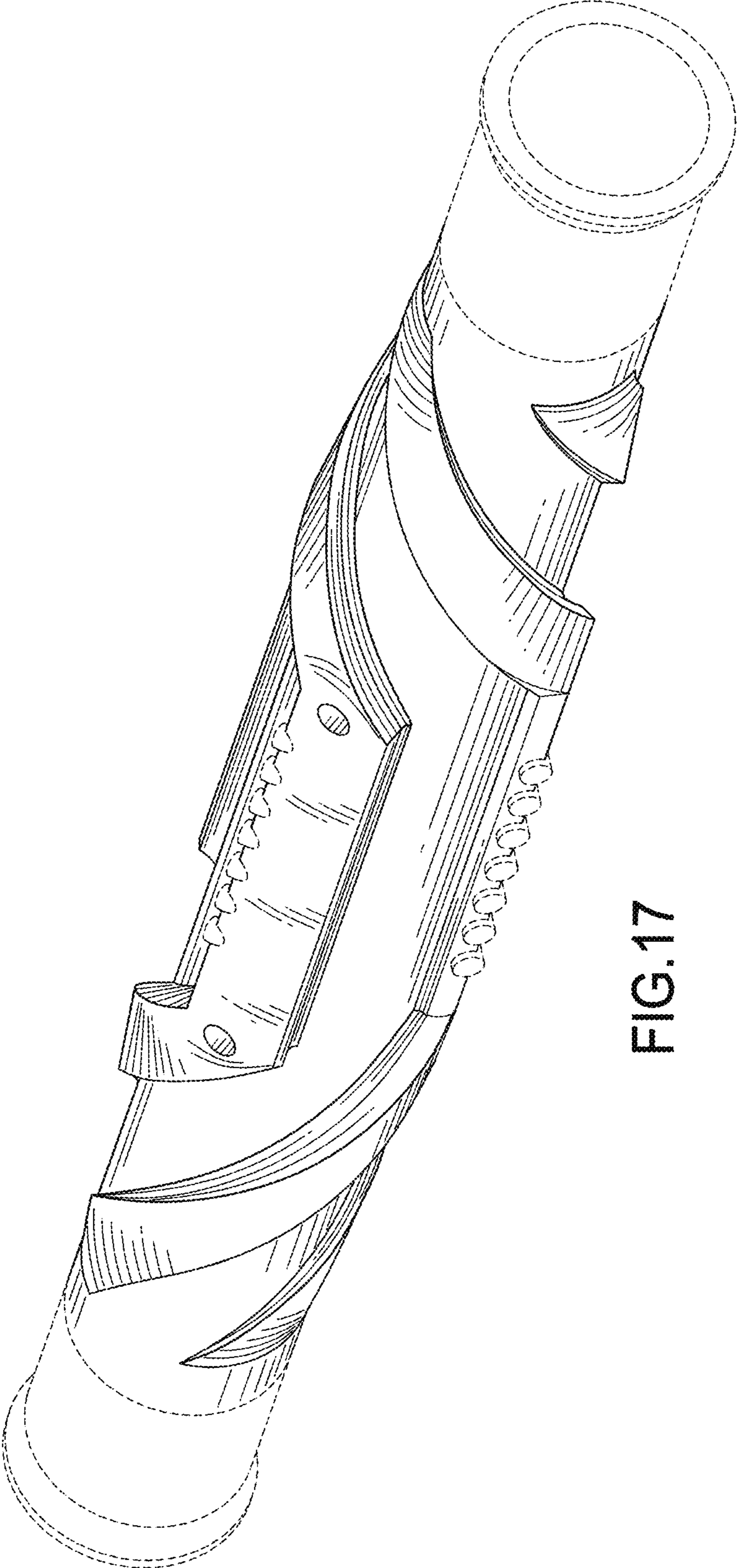


FIG.17

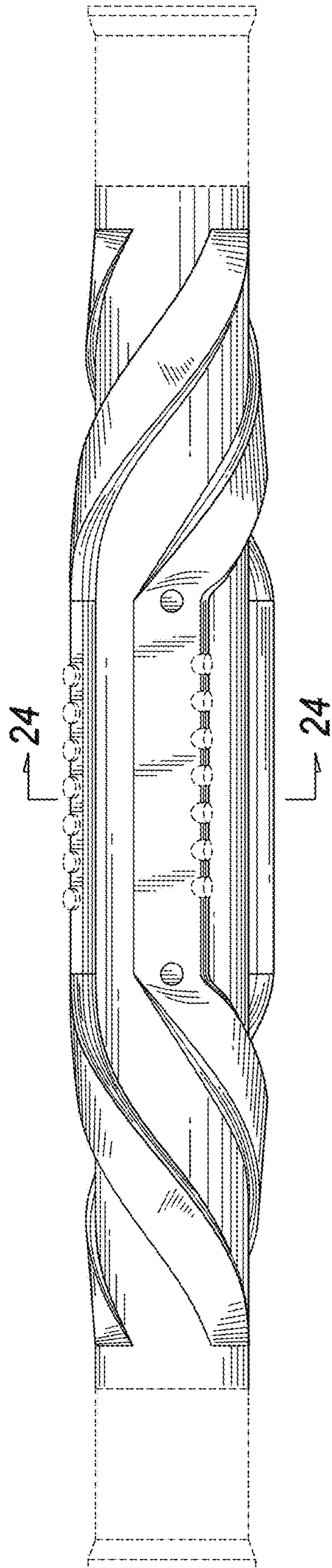


FIG. 18

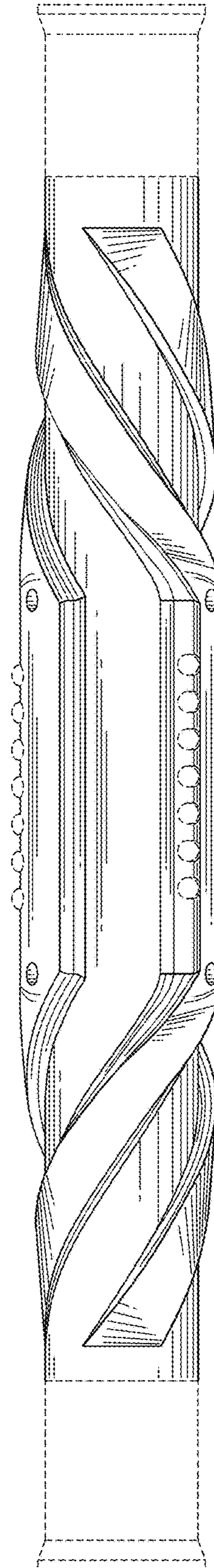


FIG. 19



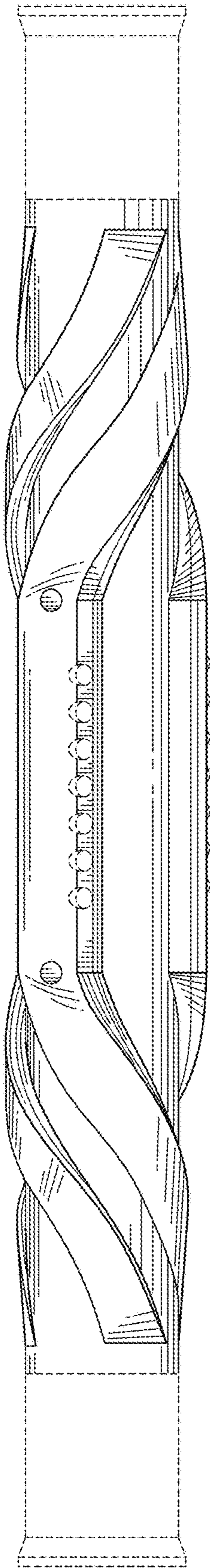


FIG. 20

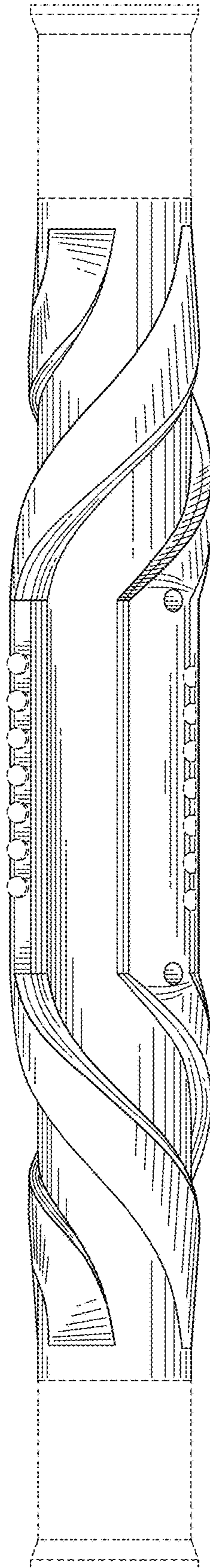


FIG. 21

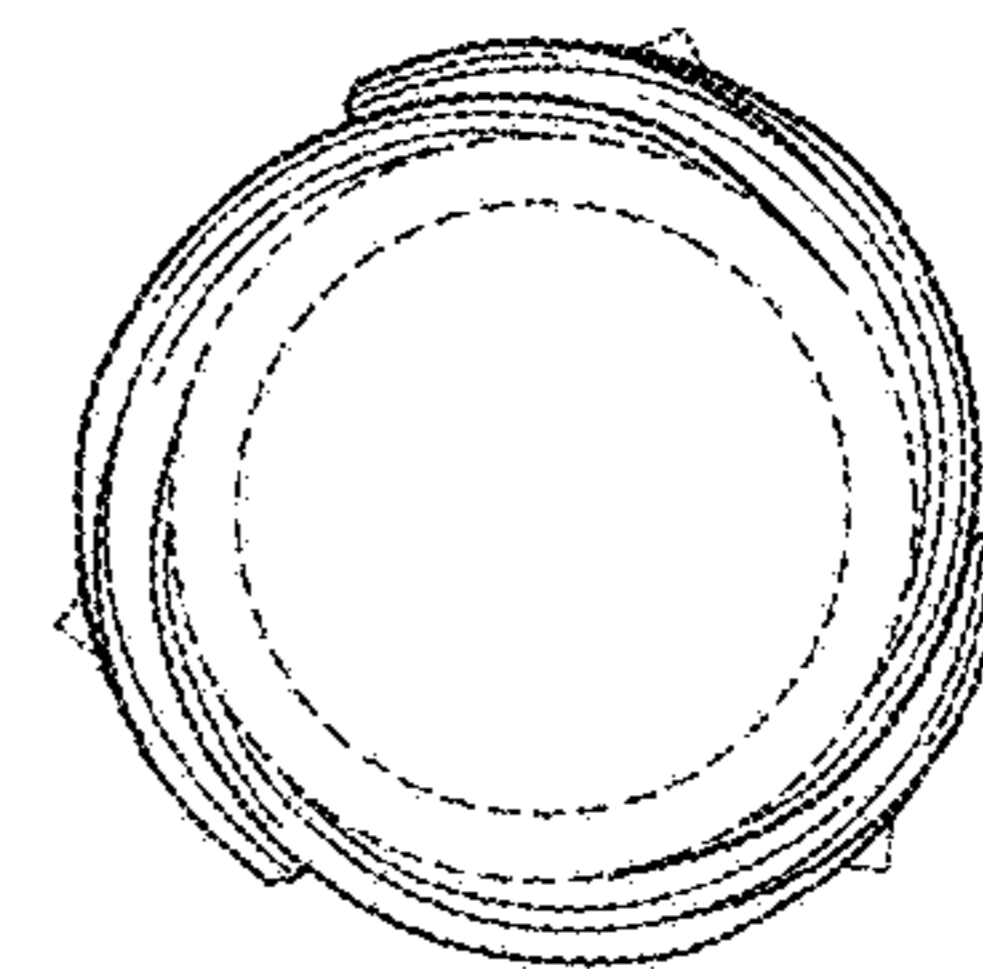


FIG. 22

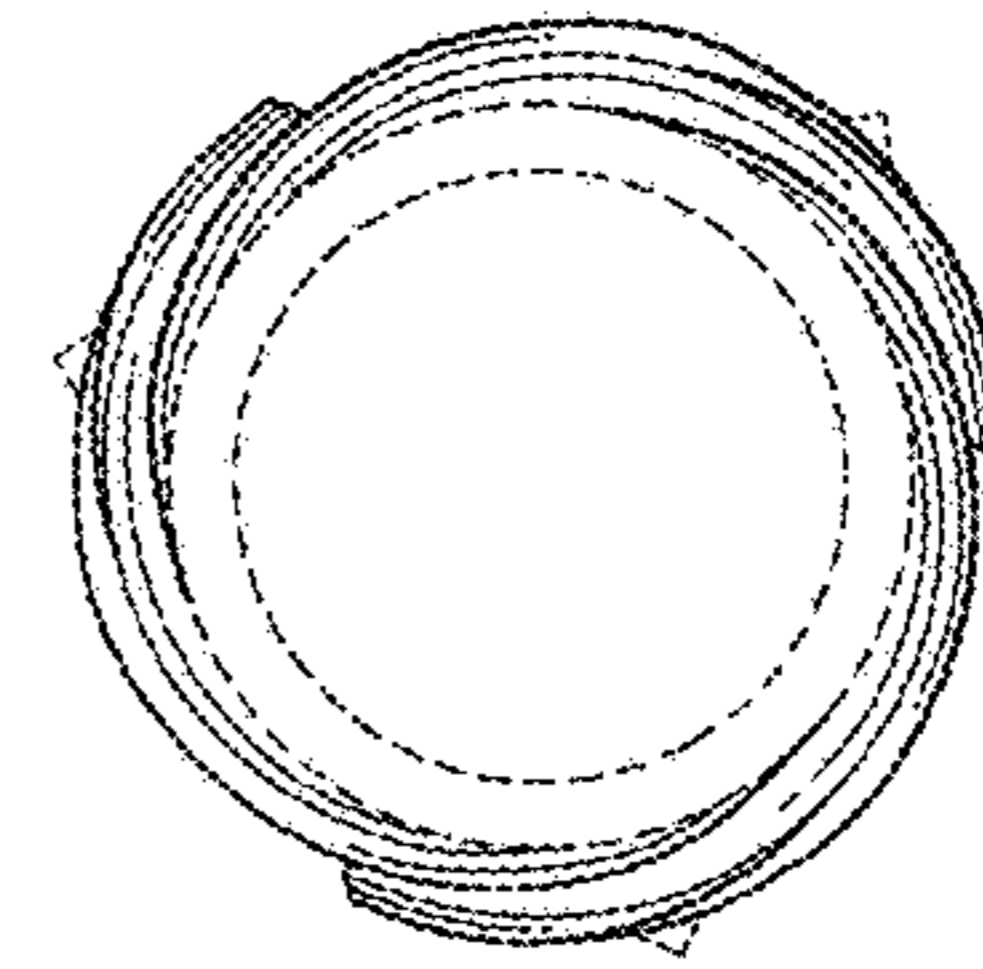


FIG. 23

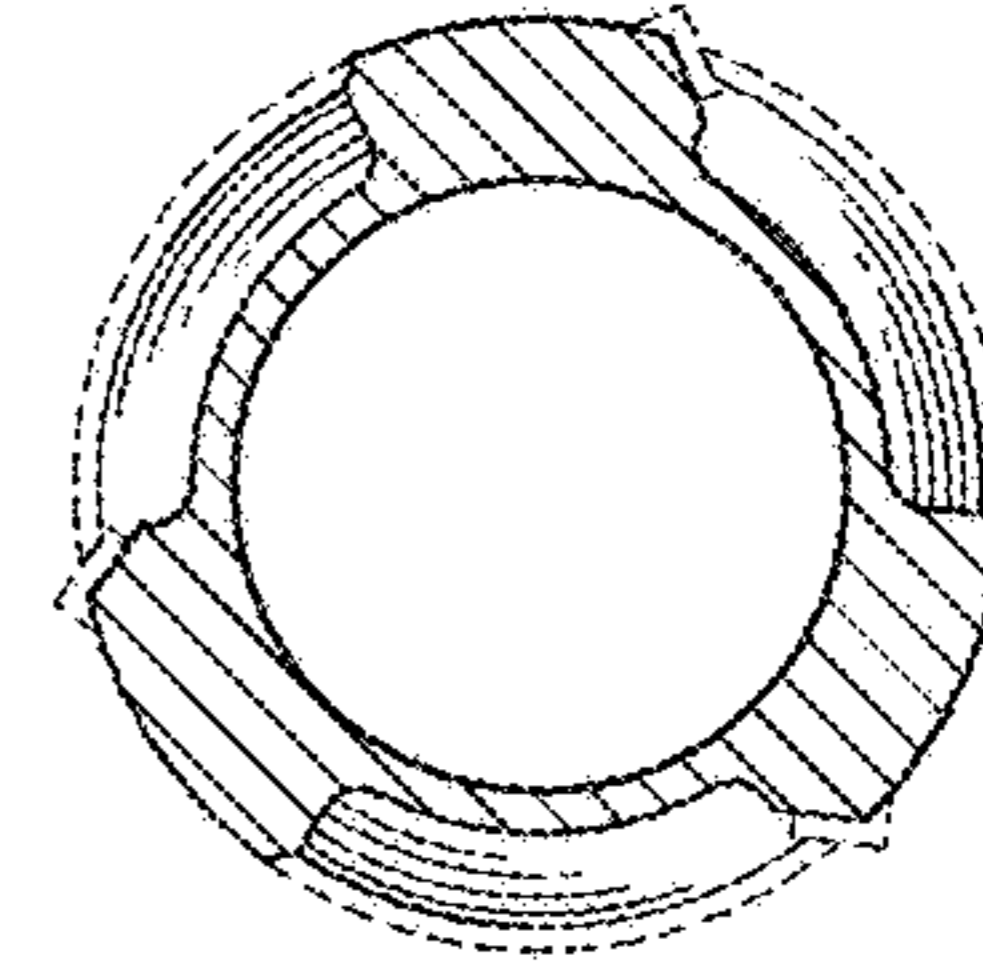


FIG. 24