



US00D786642S

(12) **United States Design Patent** (10) **Patent No.:** **US D786,642 S**
Jones (45) **Date of Patent:** **** May 16, 2017**

(54) **FIT-FOR-PURPOSE SENSOR HOUSING FOR A DOWNHOLE TOOL**

(71) Applicant: **TOOL JOINT PRODUCTS LLC**, Houston, TX (US)

(72) Inventor: **David B. Jones**, Houston, TX (US)

(73) Assignee: **Tool Joint Products LLC**, Houston, TX (US)

(**) Term: **14 Years**

(21) Appl. No.: **29/525,635**

(22) Filed: **Apr. 30, 2015**

(51) **LOC (10) Cl.** **08-03**

(52) **U.S. Cl.**
USPC **D8/61**

(58) **Field of Classification Search**
USPC D8/17, 21–29, 59–62, 64, 67, 68, 70;
544/330, 331; 514/256
CPC E21B 23/01; E21B 33/124; E21B 33/129;
E21B 33/1291; E21B 33/1204
See application file for complete search history.

(56) **References Cited**

U.S. PATENT DOCUMENTS

2,502,600	A *	4/1950	Spender	F21L 4/00 200/60
3,790,912	A *	2/1974	Murphy	F21V 23/04 335/205
4,458,299	A *	7/1984	Stephens	F21L 15/06 200/60
5,341,345	A	8/1994	Warner et al.		
5,829,880	A *	11/1998	Diedrich	G01K 13/02 285/93
6,880,647	B2	4/2005	Villareal		
7,582,838	B2 *	9/2009	Sharrah	H01H 9/06 200/310
7,587,936	B2	9/2009	Han		

7,637,321	B2 *	12/2009	Zazovsky	E21B 49/10 166/241.5
8,130,591	B2	3/2012	Geerits		
D661,212	S *	6/2012	DeLeon	D10/106.2
8,528,668	B2	9/2013	Rasheed		
8,733,445	B2 *	5/2014	Huang	E21B 21/103 166/318
8,893,779	B2 *	11/2014	Treadaway	E21B 33/129 166/118
9,133,666	B2 *	9/2015	Lee	E21B 10/345
9,157,288	B2 *	10/2015	Martinez	E21B 23/01

(Continued)

Primary Examiner — Austin Murphy

(74) *Attorney, Agent, or Firm* — Andrew W. Chu; Craft Chu PLLC

(57) **CLAIM**

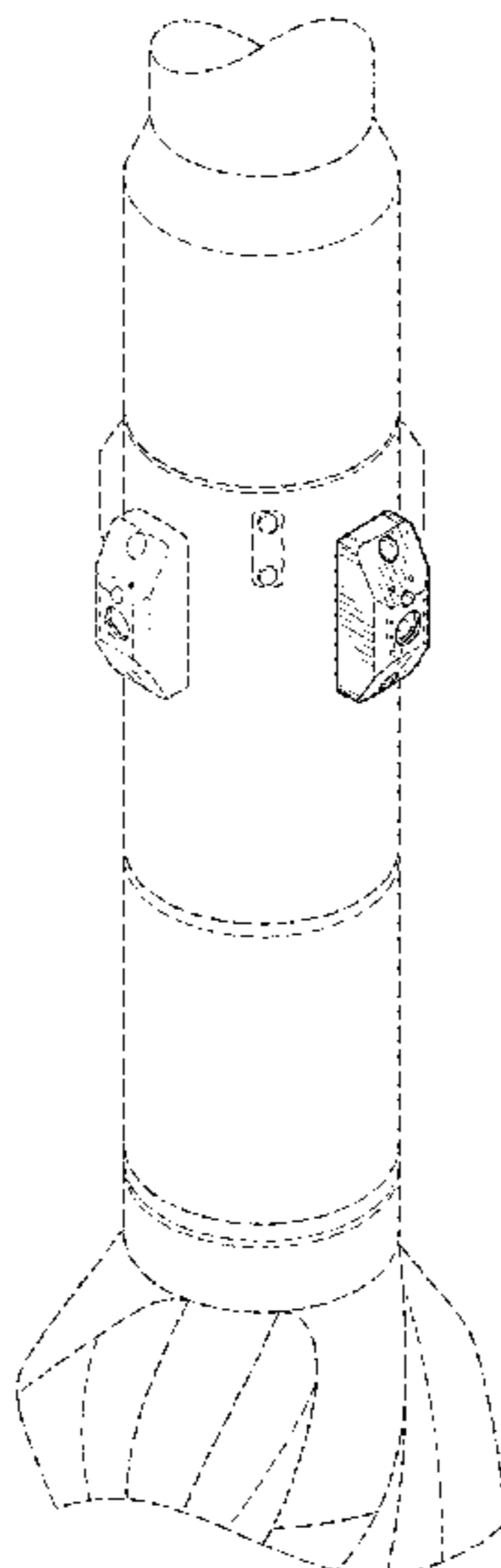
The ornamental design for a fit-for-purpose sensor housing for a downhole tool, as shown and described.

DESCRIPTION

FIG. 1 is an upper perspective view of the fit-for-purpose sensor housing for a downhole tool showing my design on a downhole tool in broken lines. FIG. 2 is a front elevation view thereof; FIG. 3 is a back elevation view thereof; FIG. 4 is a side elevation view thereof; FIG. 5 is an opposite side elevation view thereof; FIG. 6 is a top plan view thereof; FIG. 7 is a bottom plan view thereof; and, FIG. 8 is perspective view thereof, a configuration attached to a downhole tool.

The fit-for-purpose sensor housing for a downhole sensor tool is a sensor housing to adjust the downhole tool for purpose of being deployed into a borehole of a particular diameter and measurement of particular conditions. The broken line features are illustrative and form no part of the claimed design.

1 Claim, 2 Drawing Sheets



(56)

References Cited

U.S. PATENT DOCUMENTS

D744,363 S * 12/2015 Betsinger D10/101
9,255,823 B2 * 2/2016 Dobele G01D 11/245

* cited by examiner

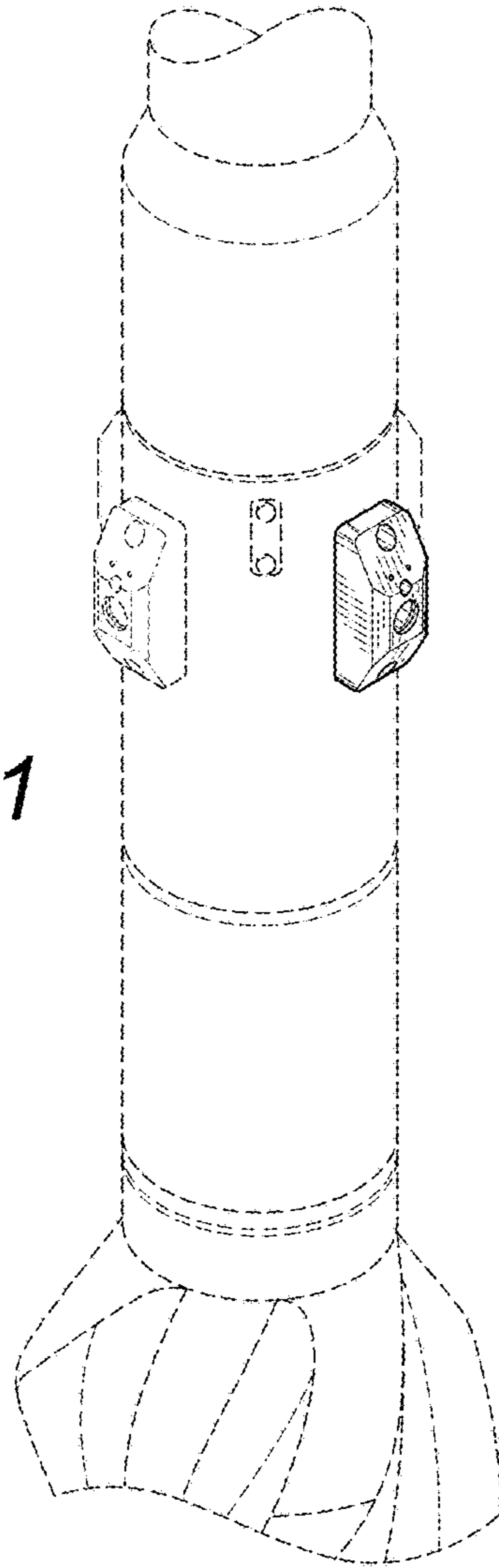


FIG. 1

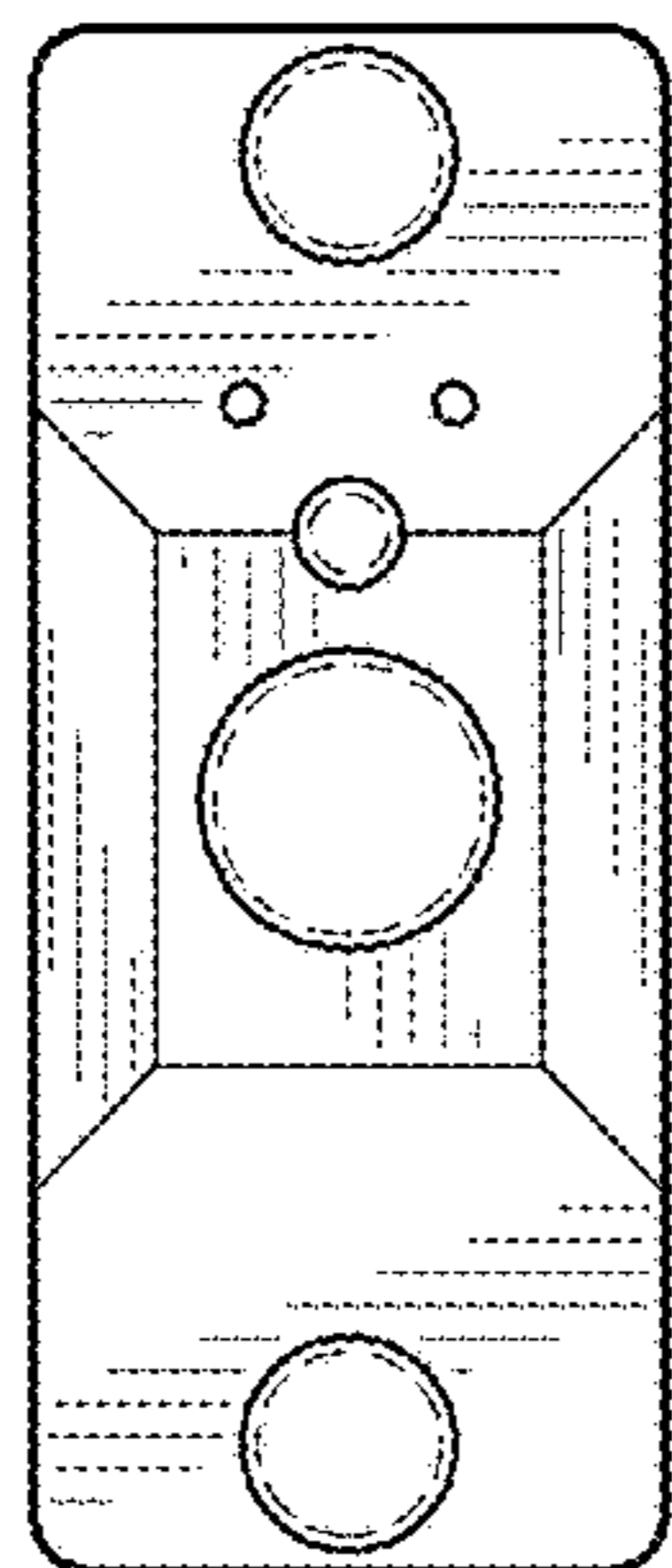


FIG. 2

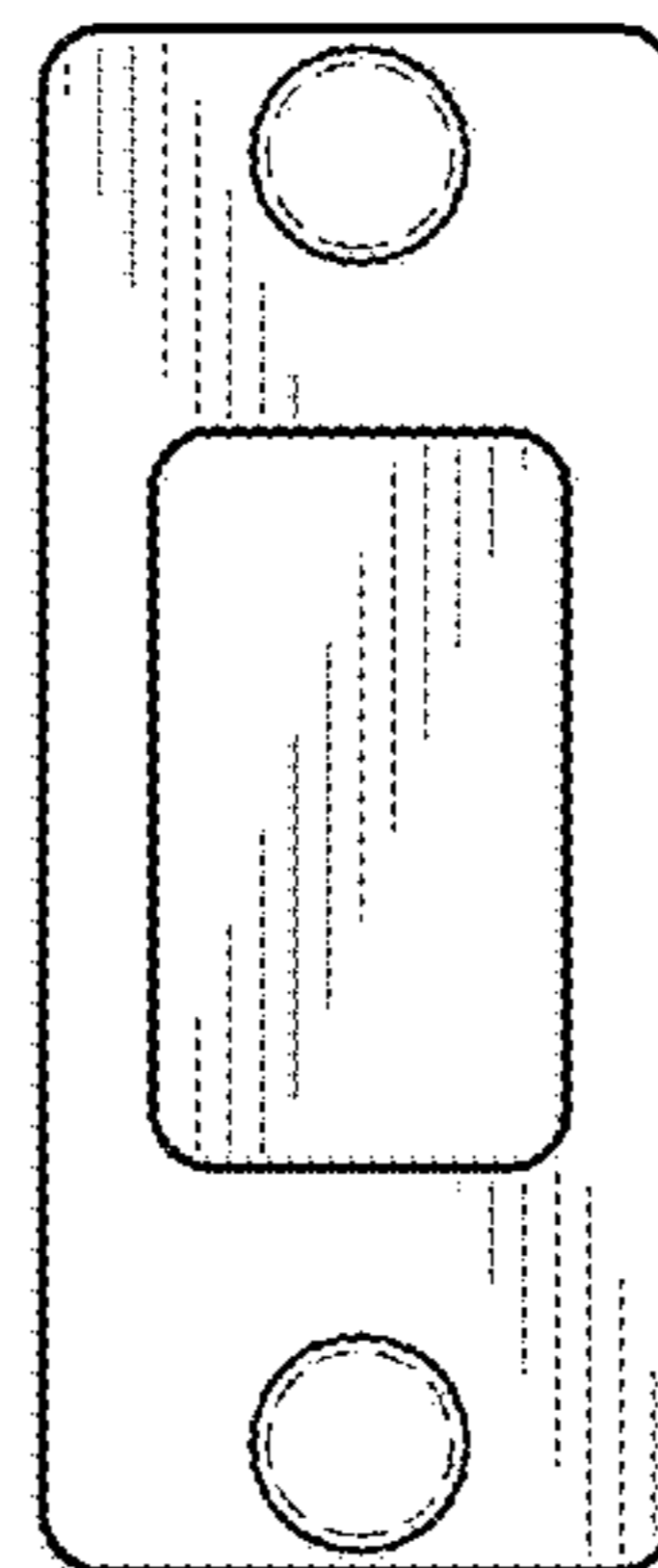


FIG. 3

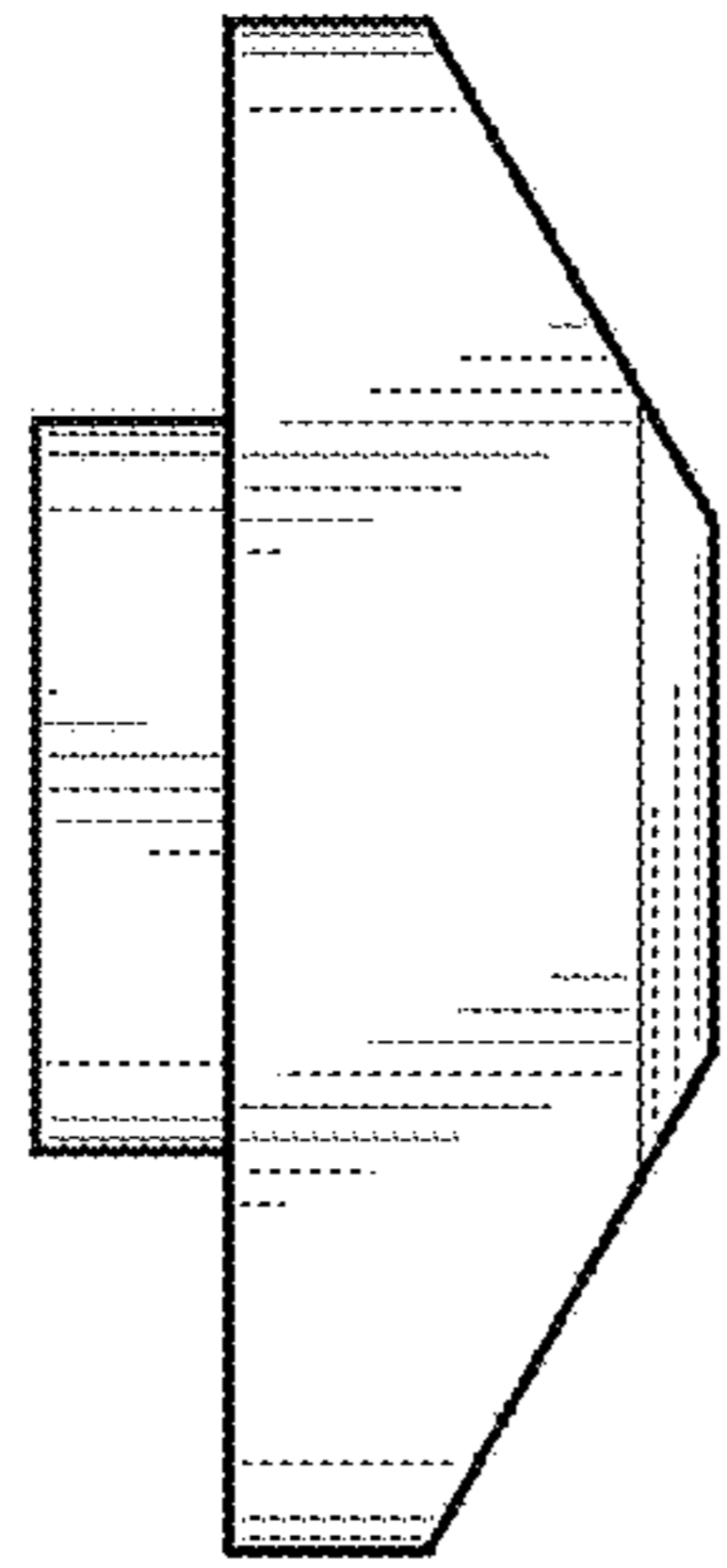


FIG. 4

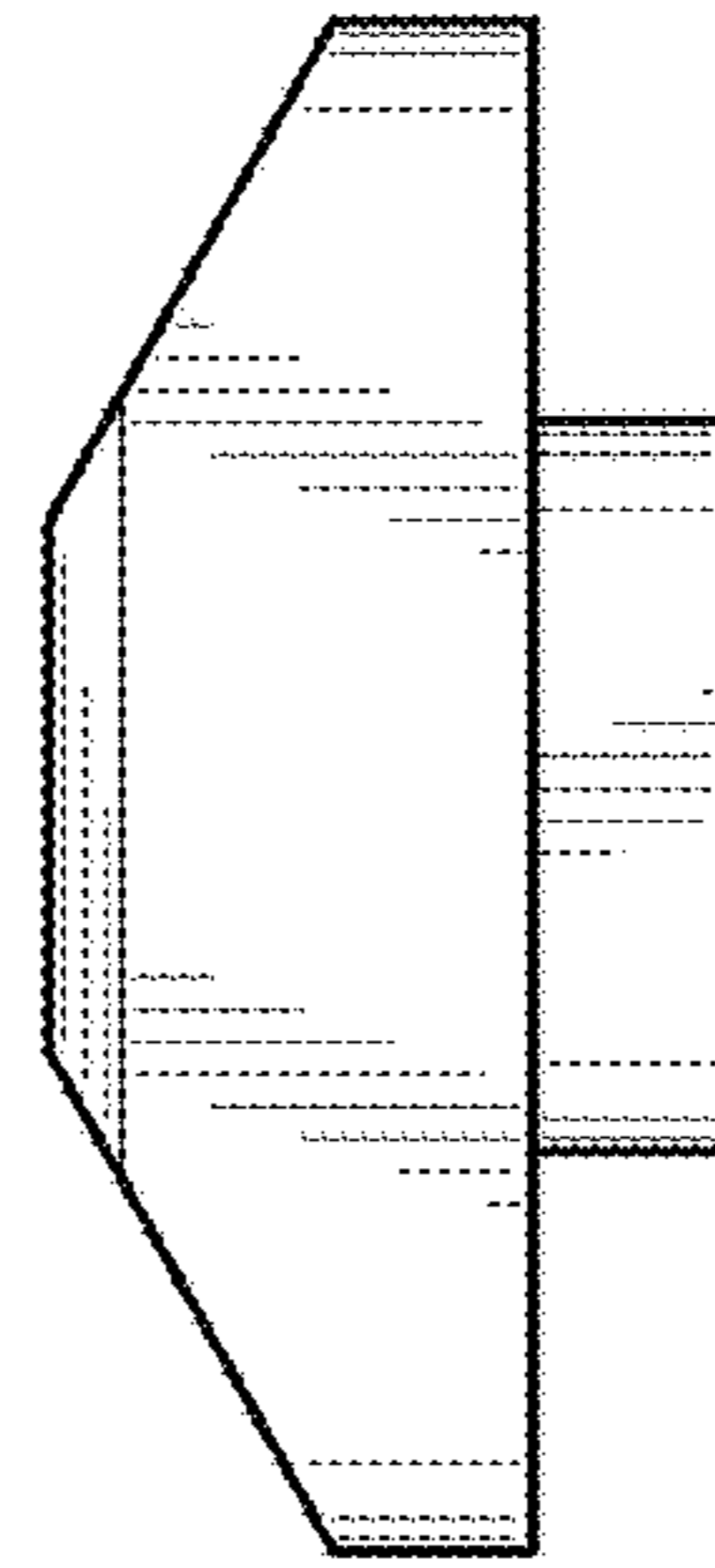


FIG. 5

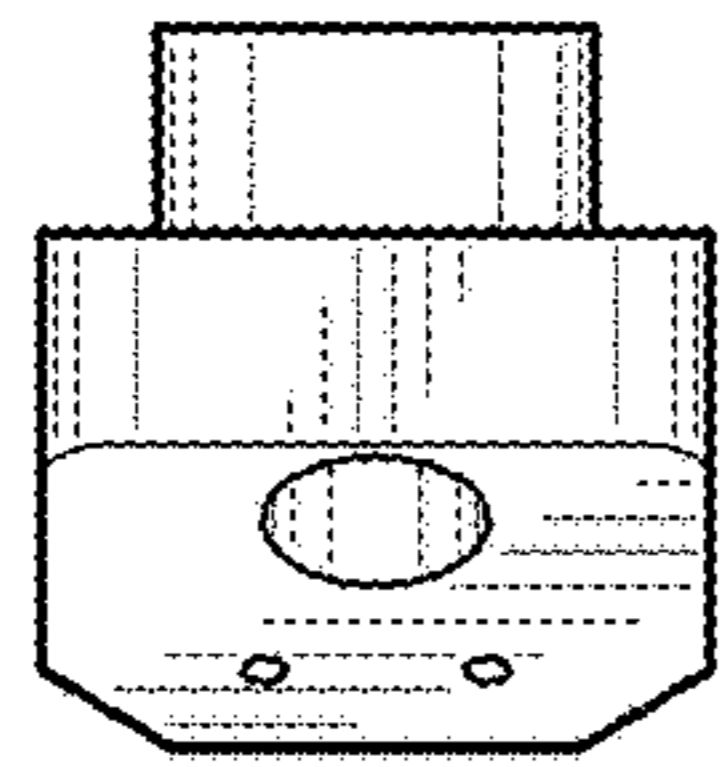


FIG. 6

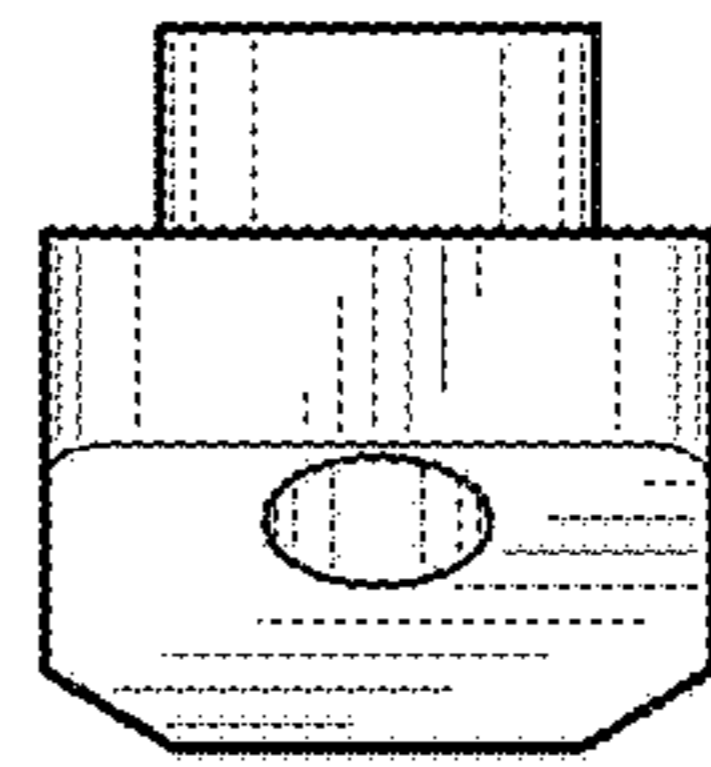


FIG. 7

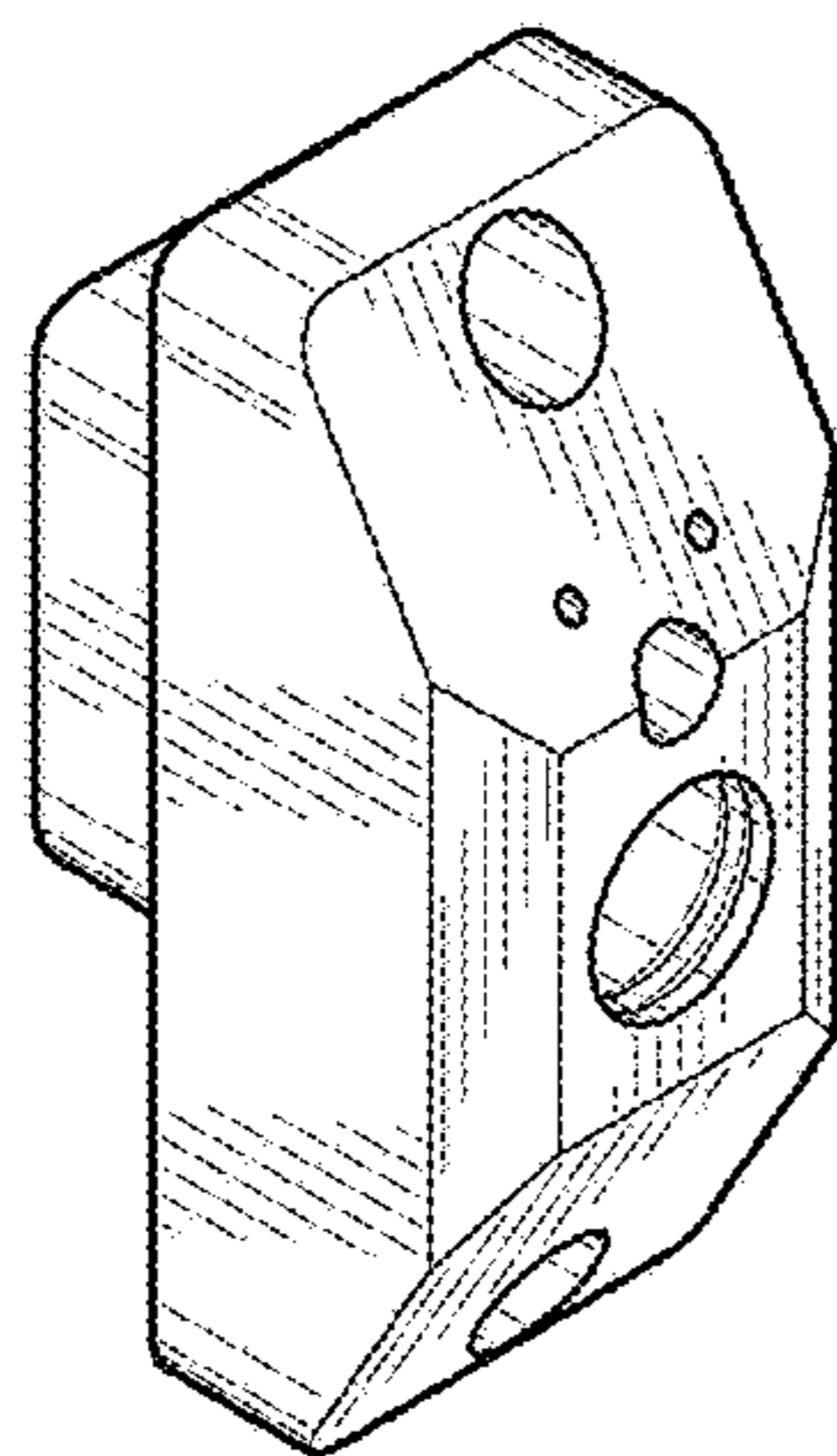


FIG. 8