



US00D786636S

(12) **United States Design Patent**
Zhang

(10) **Patent No.:** **US D786,636 S**

(45) **Date of Patent:** **** May 16, 2017**

(54) **TOOL HANDLE**

(71) Applicant: **Wenquan Zhang**, Qingdao (CN)

(72) Inventor: **Wenquan Zhang**, Qingdao (CN)

(**) Term: **15 Years**

(21) Appl. No.: **29/543,616**

(22) Filed: **Oct. 27, 2015**

(51) **LOC (10) Cl.** **08-01**

(52) **U.S. Cl.**
USPC **D8/10**

(58) **Field of Classification Search**

USPC D8/1, 10, 14, 105, 107; D22/118;
D32/49, 51

CPC A45B 9/00; B26B 3/00; B26B 29/025; B25F
1/02; Y10T 403/67; Y10T 16/48

See application file for complete search history.

(56) **References Cited**

U.S. PATENT DOCUMENTS

D170,438 S	9/1953	Ziskind	
2,780,183 A	2/1957	Myers	
3,401,971 A *	9/1968	Cronquist A01B 1/022 294/53.5
4,170,909 A	10/1979	Wagner	
D274,122 S	6/1984	Stahel et al.	
4,535,649 A	8/1985	Stahel	
4,700,420 A *	10/1987	Belanger B25F 1/02 182/100
4,727,609 A *	3/1988	Smith, Jr. B25F 1/02 124/25
4,941,232 A	7/1990	Decker et al.	
D320,125 S	9/1991	Hacker	
5,105,493 A *	4/1992	Lugtenaar A01D 11/00 15/141.1
5,482,071 A *	1/1996	Liu A45B 3/00 135/66
5,507,051 A *	4/1996	Mazon A01B 1/022 7/104

D377,745 S 2/1997 Laun
D415,803 S 10/1999 Cousins
D426,436 S * 6/2000 Ng D8/10
(Continued)

FOREIGN PATENT DOCUMENTS

CN 301848682 S 2/2012

OTHER PUBLICATIONS

U.S. Appl. No. 29/532,971; Non-Final Office Action dated Jun. 21, 2016; 6 pages.

(Continued)

Primary Examiner — Phillip S Hyder

(74) *Attorney, Agent, or Firm* — Swanson & Bratschun, L.L.C.

(57) **CLAIM**

The ornamental design for a tool handle, as shown and described.

DESCRIPTION

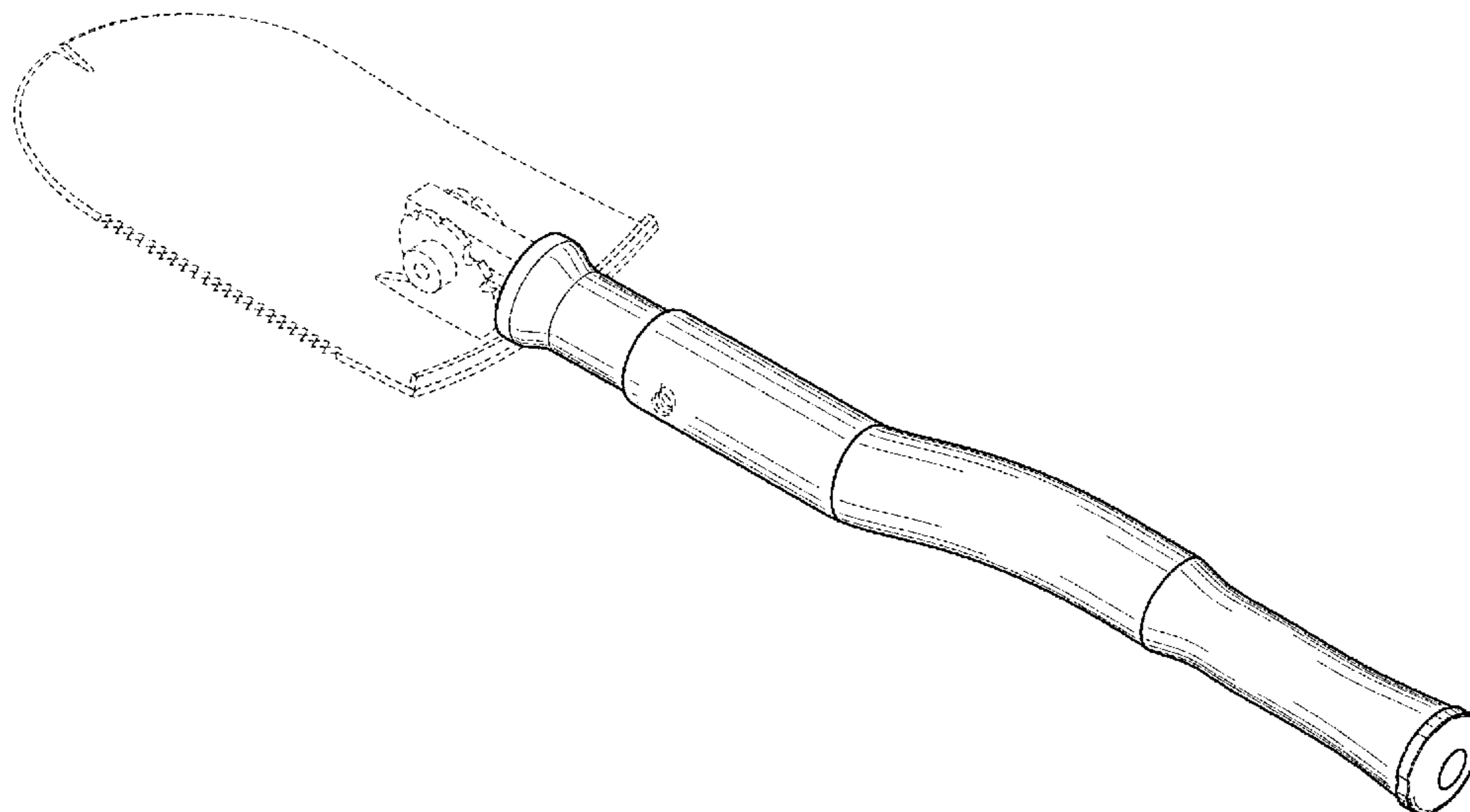
FIG. 1 is a perspective view of a tool handle showing my new design, shown in relation with a multi-function shovel head and a shovel head folding mechanism, both in broken lines and connected with the tool handle;

FIG. 2 is a top plan view of the tool handle of FIG. 1; FIG. 3 is a bottom plan view of the tool handle of FIG. 1; FIG. 4 is a right side elevation view of the tool handle of FIG. 1, the left side elevation view being a mirror image thereof;

FIG. 5 is a front elevation view of the tool handle of FIG. 1; and,

FIG. 6 is a rear elevation view of the tool handle of FIG. 1. The broken line showings of the multiFunction shovel head and folding mechanism are provided for purposes of environment and form no part of the claimed design.

1 Claim, 6 Drawing Sheets



(56)

References Cited

U.S. PATENT DOCUMENTS

6,263,759 B1 7/2001 Hollingsworth et al.
6,311,381 B1 11/2001 Wendelgast
6,551,222 B1 4/2003 Beaver
D481,290 S 10/2003 Thompson et al.
D502,578 S 3/2005 Roschi
D527,960 S * 9/2006 Fortier D8/10
7,334,499 B2 2/2008 Lai
D590,220 S * 4/2009 Hua D8/6
D593,716 S 6/2009 Strauss
D595,379 S 6/2009 Devaney et al.
D603,229 S * 11/2009 Atnip D8/10
D633,363 S 3/2011 Quinlan
D637,884 S 5/2011 Trotta
D643,680 S 8/2011 Bodum
D651,886 S 1/2012 Clement
D669,945 S 10/2012 Russo et al.
D699,072 S 2/2014 Radtke
D718,011 S 11/2014 Lentine
8,960,743 B1 * 2/2015 Hasenjaeger A01B 1/227
294/51
D725,202 S 3/2015 Hunt et al.
2007/0022572 A1 2/2007 Rogers

OTHER PUBLICATIONS

U.S. Appl. No. 29/532,979; Non-Final Office Action dated Jun. 3, 2016; 10 pages.

* cited by examiner

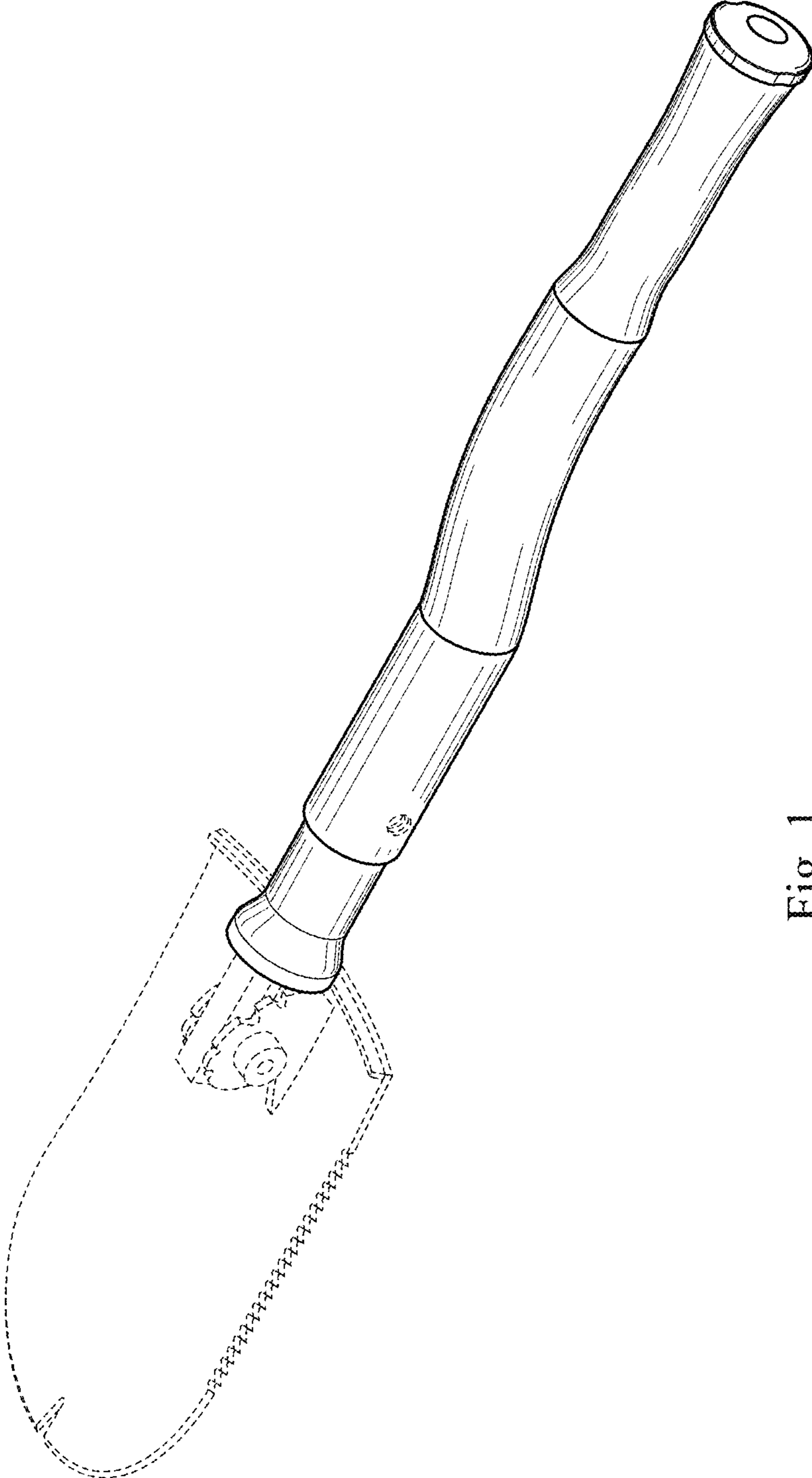


Fig. 1

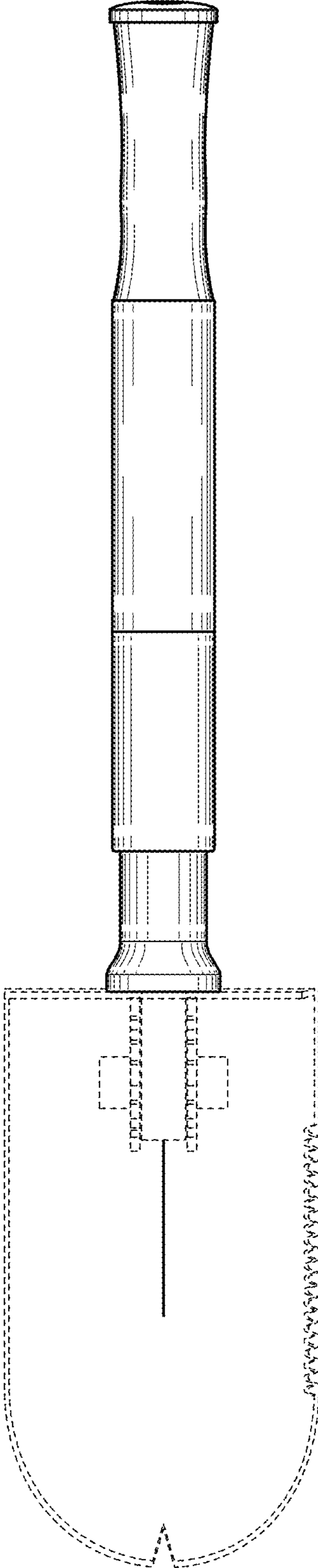


Fig. 2

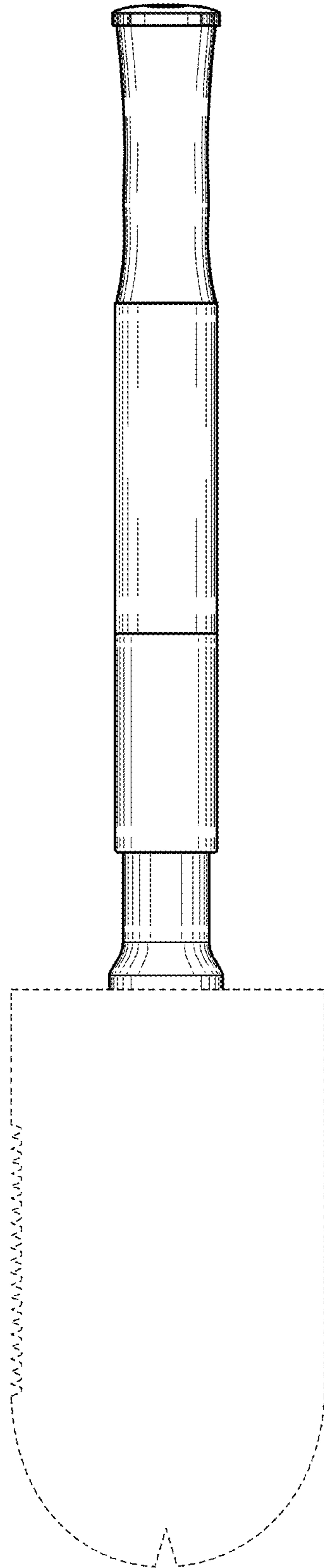


Fig. 3

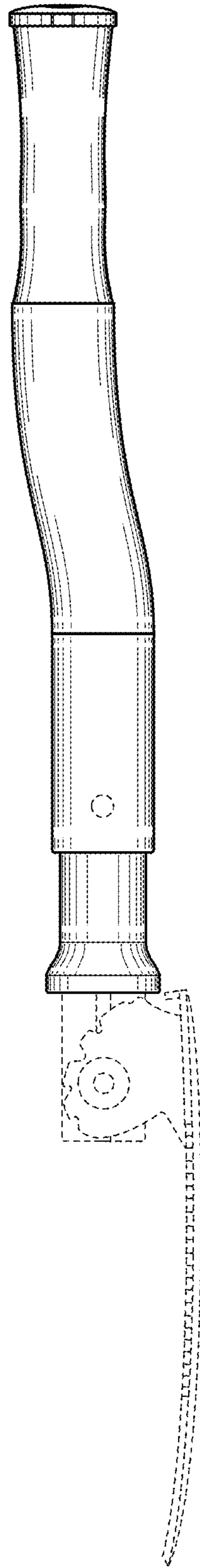


Fig. 4

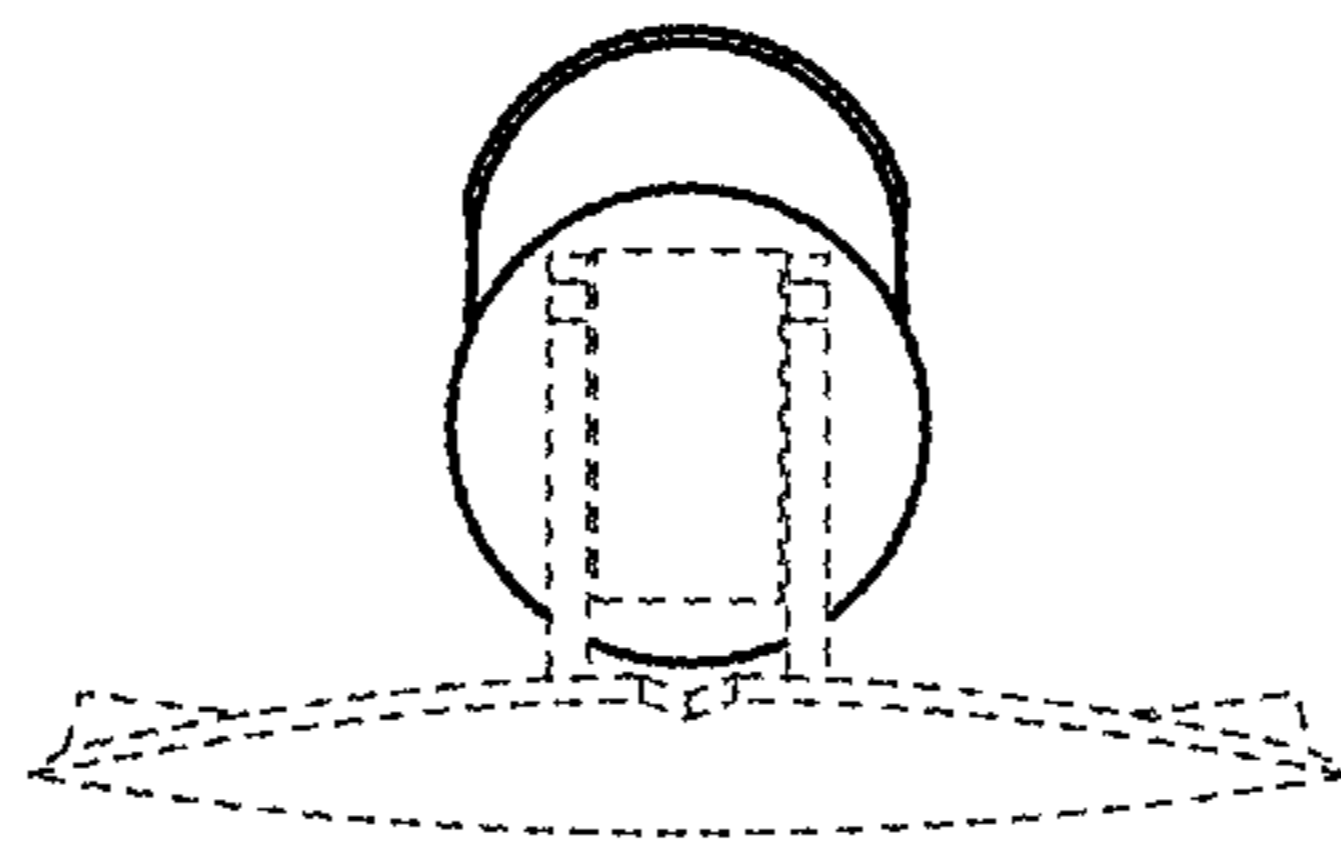


Fig. 5

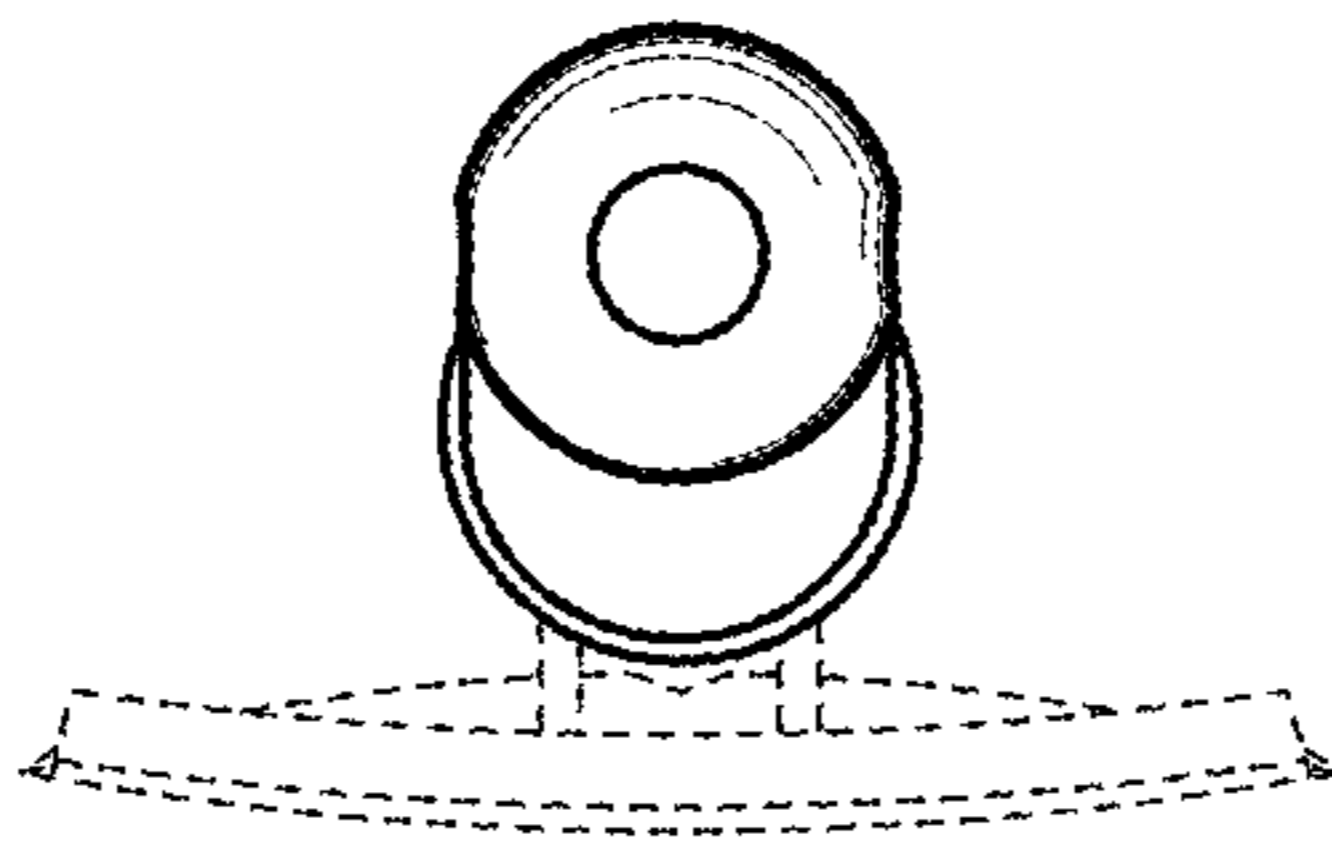


Fig. 6