



US00D786632S

(12) **United States Design Patent**  
**Currier**

(10) **Patent No.:** **US D786,632 S**

(45) **Date of Patent:** **\*\* May 16, 2017**

(54) **STORAGE CONTAINER**

D533,414 S \* 12/2006 Claypool ..... D7/600.1  
D668,545 S \* 10/2012 Cox ..... D9/455  
D729,073 S \* 5/2015 Wasilewski ..... D9/753

(71) Applicant: **TALUS CORPORATION**, Portland,  
ME (US)

(72) Inventor: **Jason Currier**, Portland, ME (US)

(73) Assignee: **Talus Corporation**, Portland, ME (US)

(\*\*) Term: **15 Years**

(21) Appl. No.: **29/554,245**

(22) Filed: **Feb. 9, 2016**

(51) **LOC (10) Cl.** ..... **07-06**

(52) **U.S. Cl.**  
USPC ..... **D7/701**

(58) **Field of Classification Search**  
USPC ..... D6/546, 552, 672; D7/619.1, 620,  
D7/701-708, 708.1; D9/434, 443, 455;  
D32/58

CPC ..... A47G 23/0208; A47J 47/16; A47J 47/20;  
B32B 3/10

See application file for complete search history.

(56) **References Cited**

**U.S. PATENT DOCUMENTS**

D114,889 S *	5/1939	Campbell	.....	D9/753
D248,909 S *	8/1978	Frazian	.....	D12/420
D277,149 S *	1/1985	Hind	.....	D6/535
D328,521 S *	8/1992	Sletvold	.....	D12/419
D338,795 S *	8/1993	Huang	.....	D6/552
D356,002 S *	3/1995	Morgan	.....	D6/552
D434,587 S *	12/2000	Beard, Sr.	.....	D21/796
D442,443 S *	5/2001	Perndocaj	.....	D7/701
D458,092 S *	6/2002	Rumpf	.....	D6/574
D475,879 S *	6/2003	Thomas	.....	D6/552

**OTHER PUBLICATIONS**

Cargo Gear. Car Drink Holder. Mar. 7, 2014 [earliest online date],  
[site visited Feb. 27, 2017]. Available from Internet, <URL:https://  
www.cargogear.com/OneItemInfo.  
aspx?partnum=BLDRWEDGE>.\*

\* cited by examiner

*Primary Examiner* — Robert M Spear

*Assistant Examiner* — Darcey E Heflin

(74) *Attorney, Agent, or Firm* — Tredecim LLC; Sean L.  
Sweeney

(57) **CLAIM**

The ornamental design for a storage container, as shown and  
described.

**DESCRIPTION**

FIG. 1 is a front view of a storage container showing my new  
design;

FIG. 2 is a rear view thereof;

FIG. 3 is a left side view thereof;

FIG. 4 is a right side view thereof;

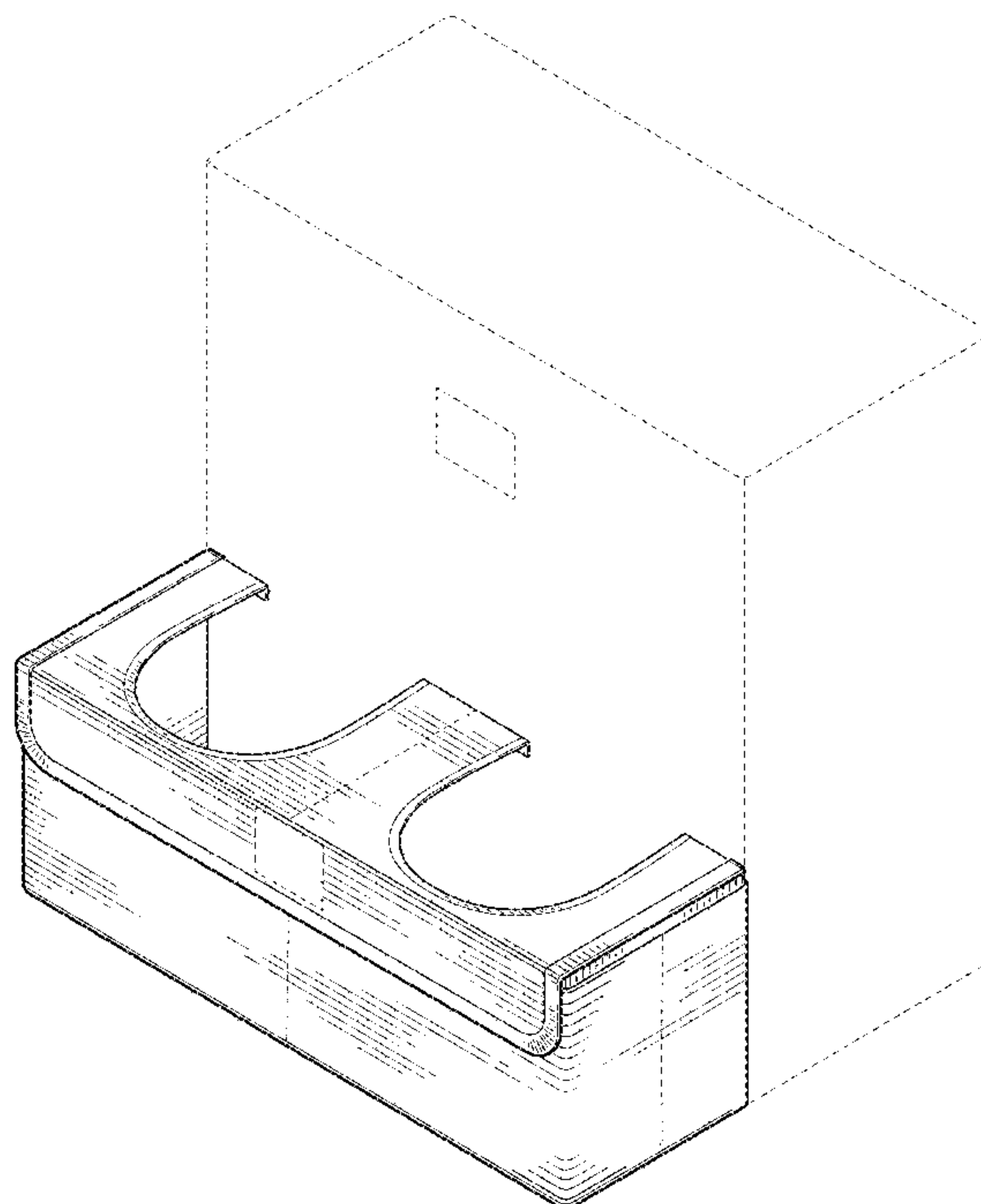
FIG. 5 is a top view thereof;

FIG. 6 is a bottom view thereof; and,

FIG. 7 is a perspective front view thereof.

In the drawings, the broken lines showing portions of a  
storage container depict environment and form no part of the  
claim.

**1 Claim, 7 Drawing Sheets**



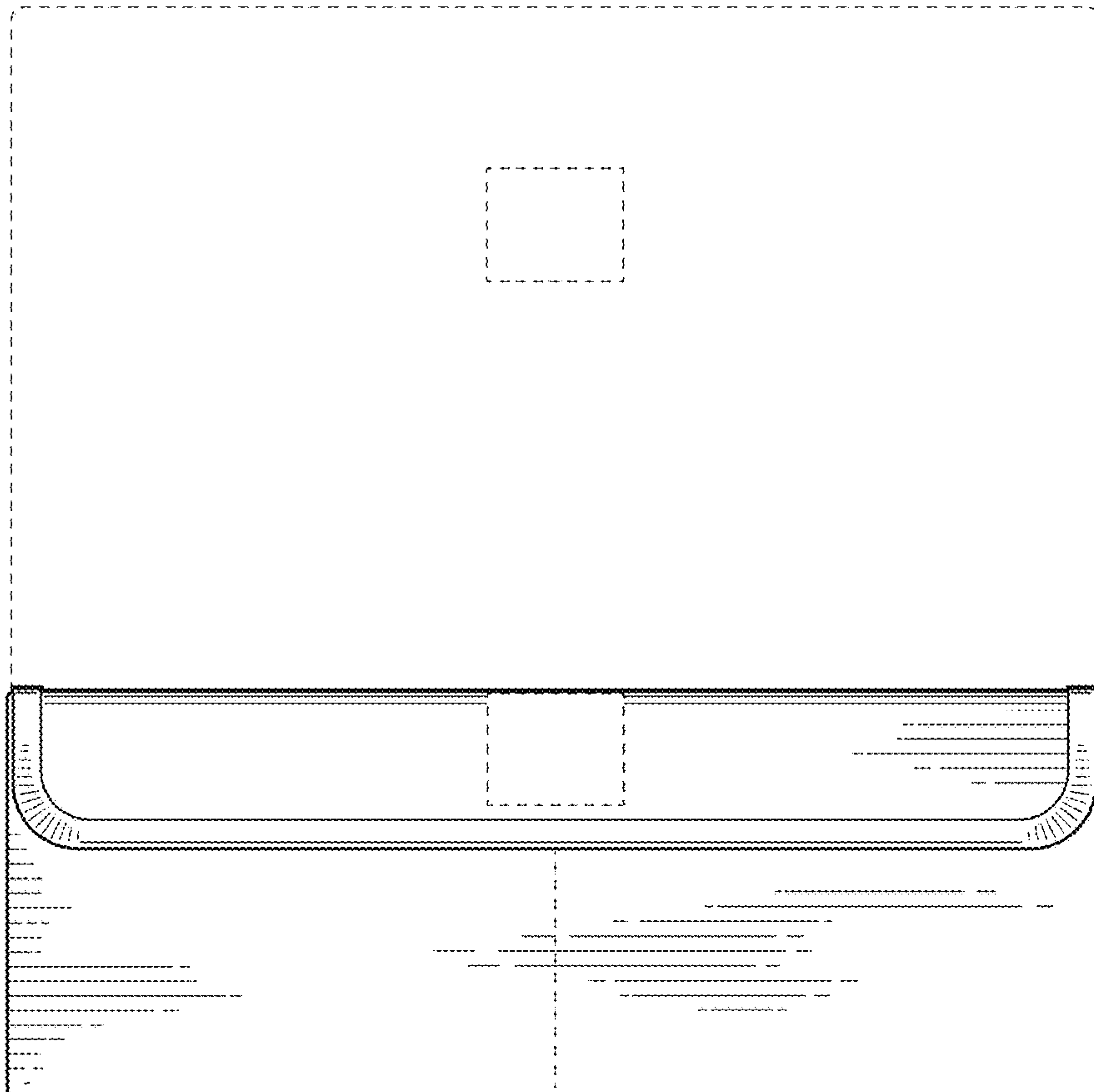


FIG. 1

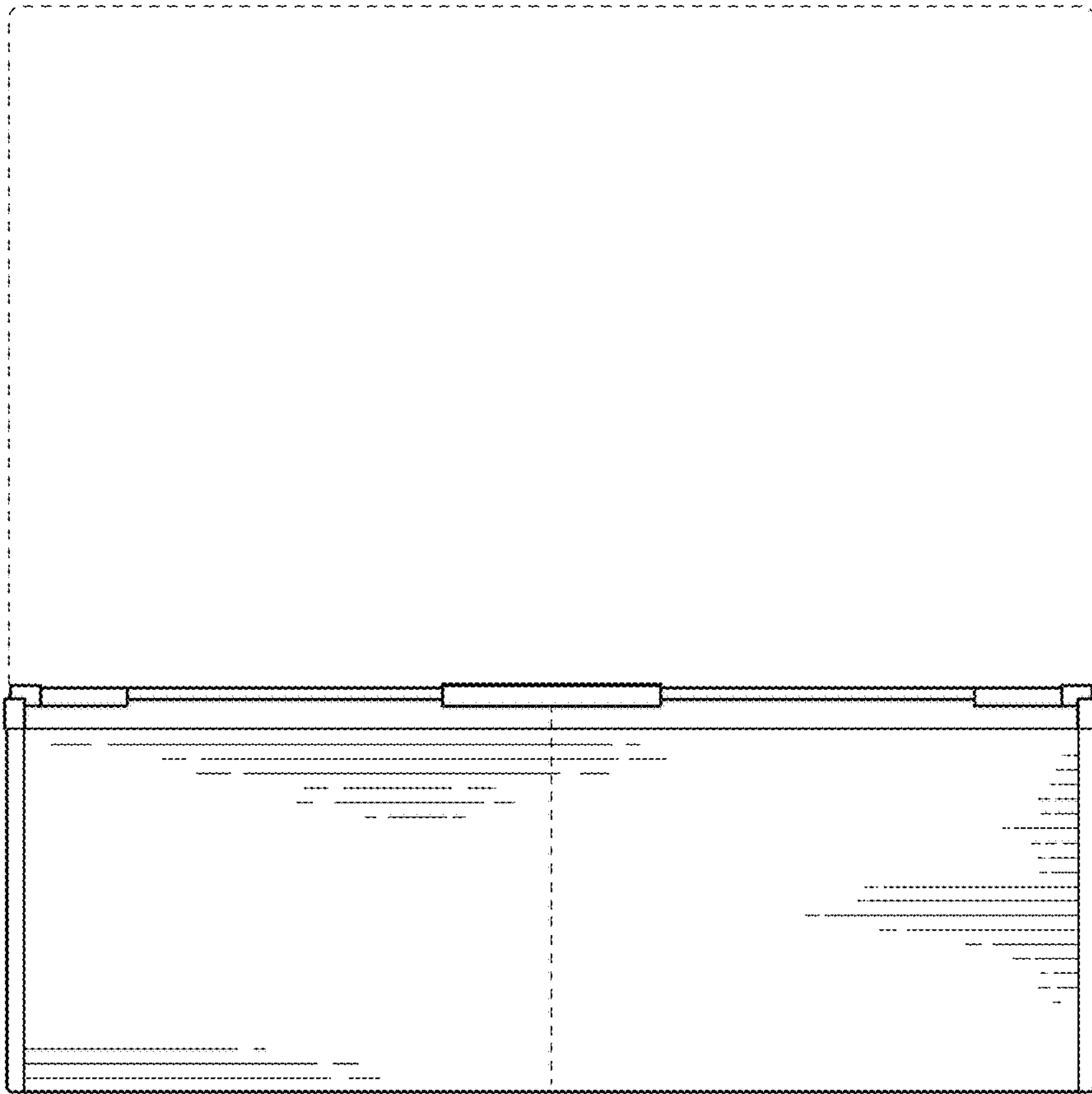


FIG. 2

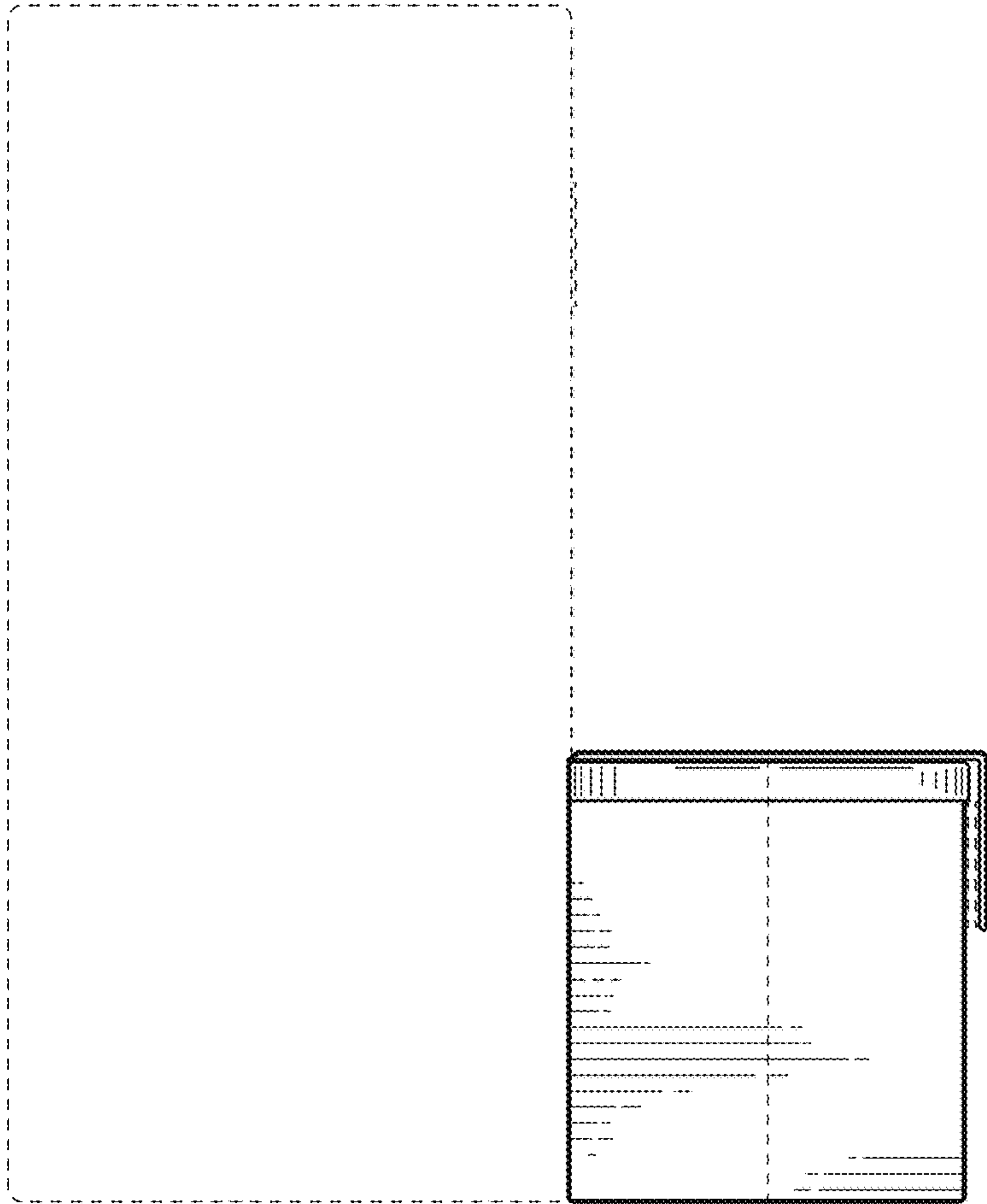


FIG. 3

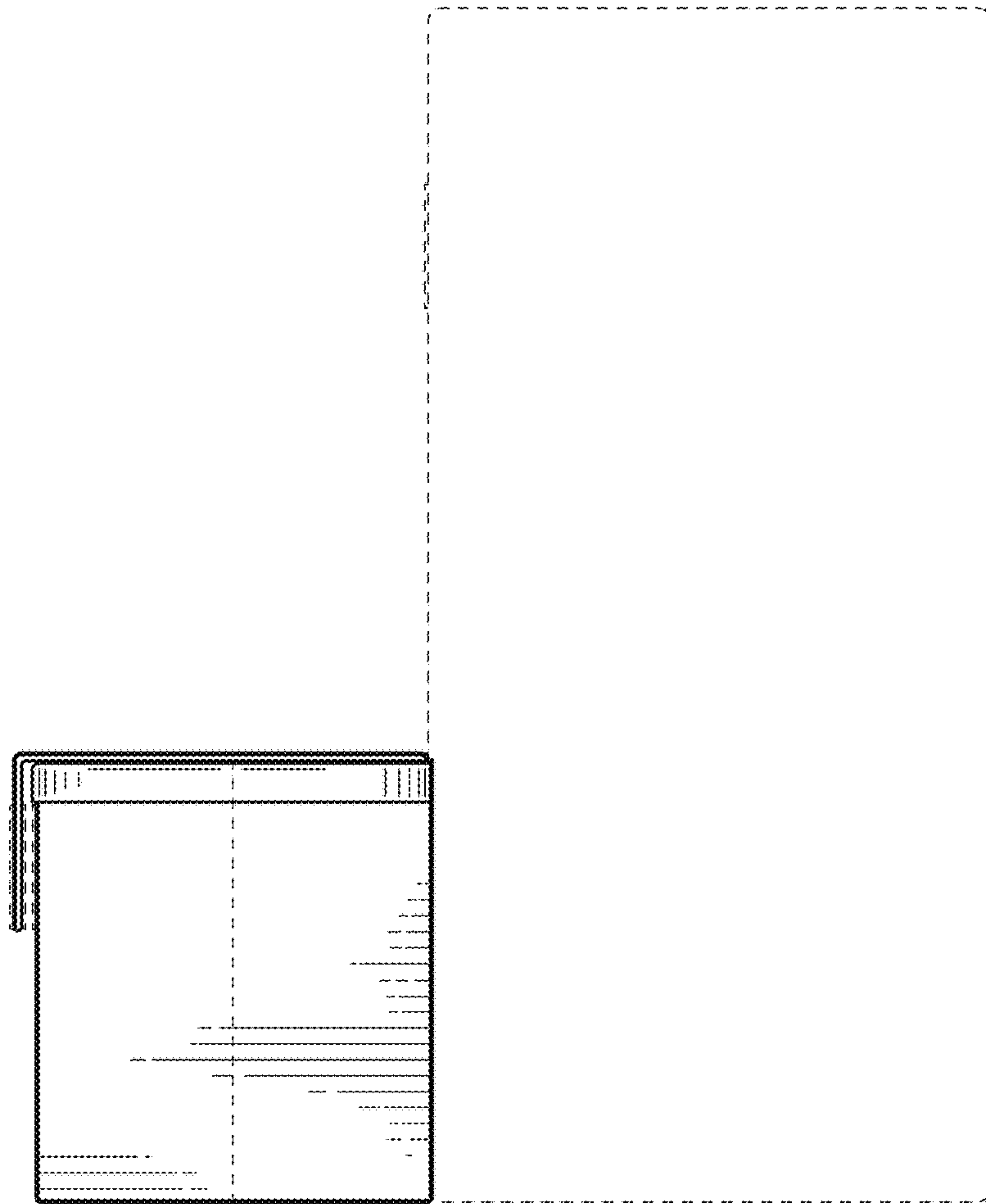


FIG. 4

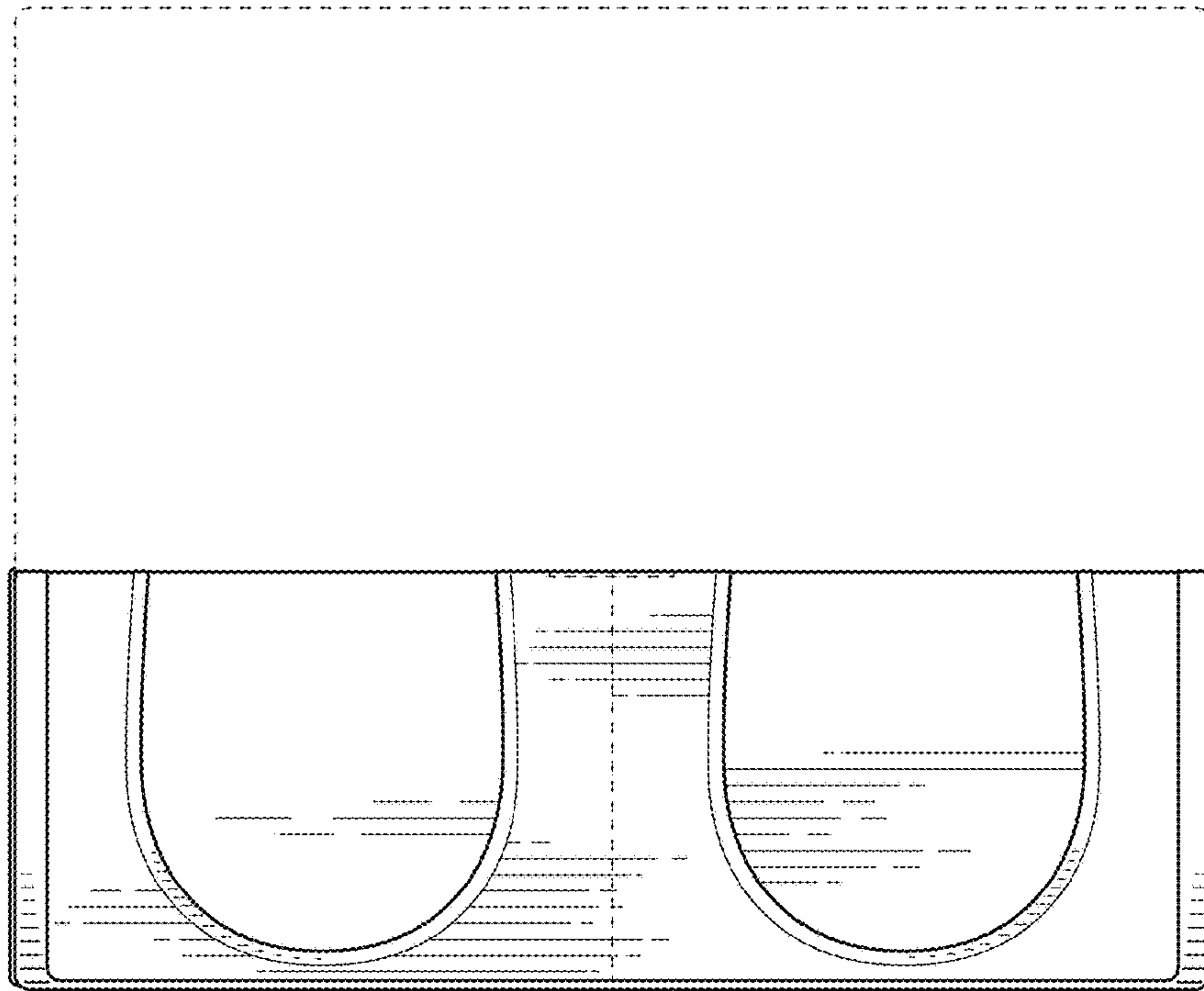


FIG. 5

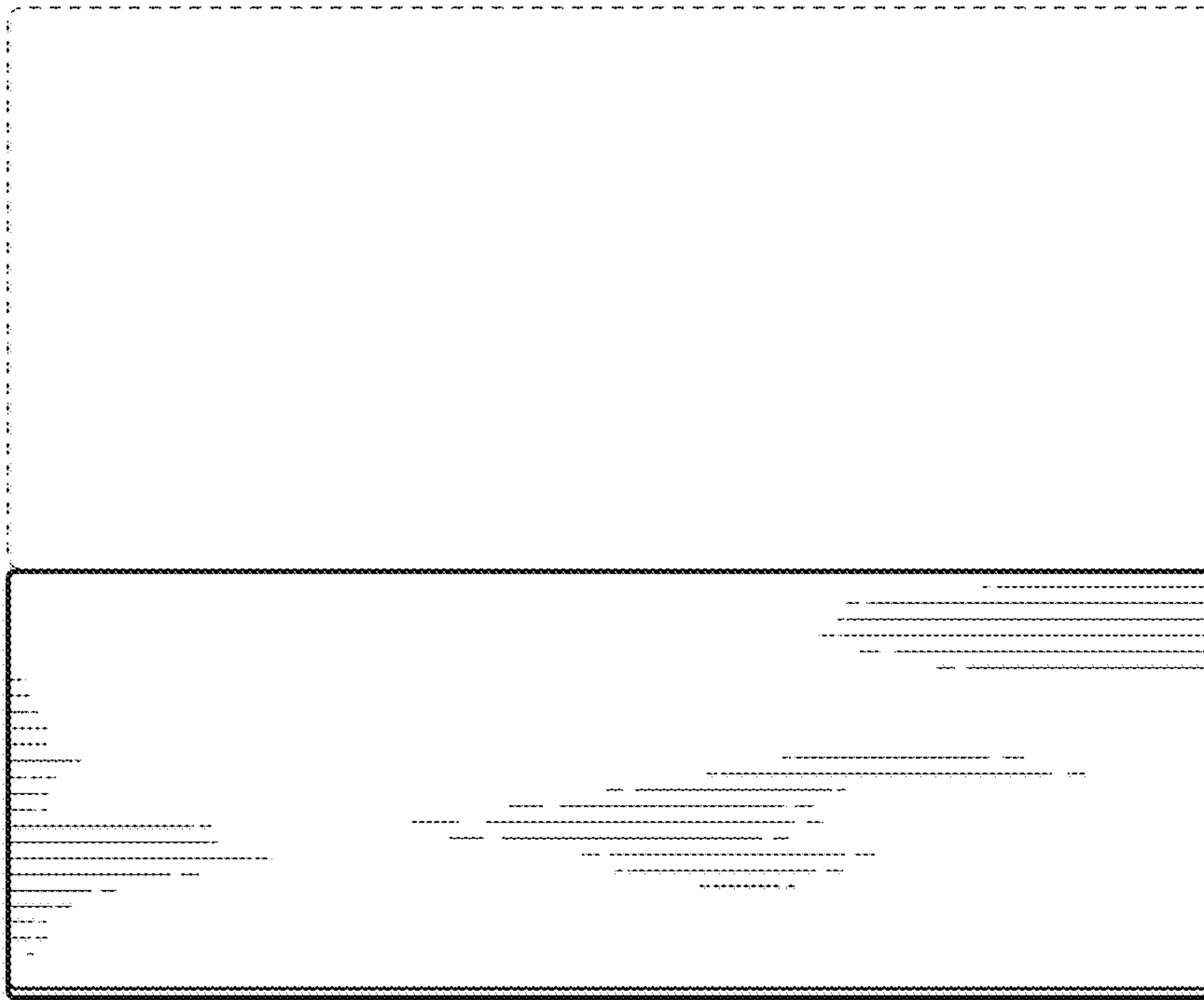


FIG. 6

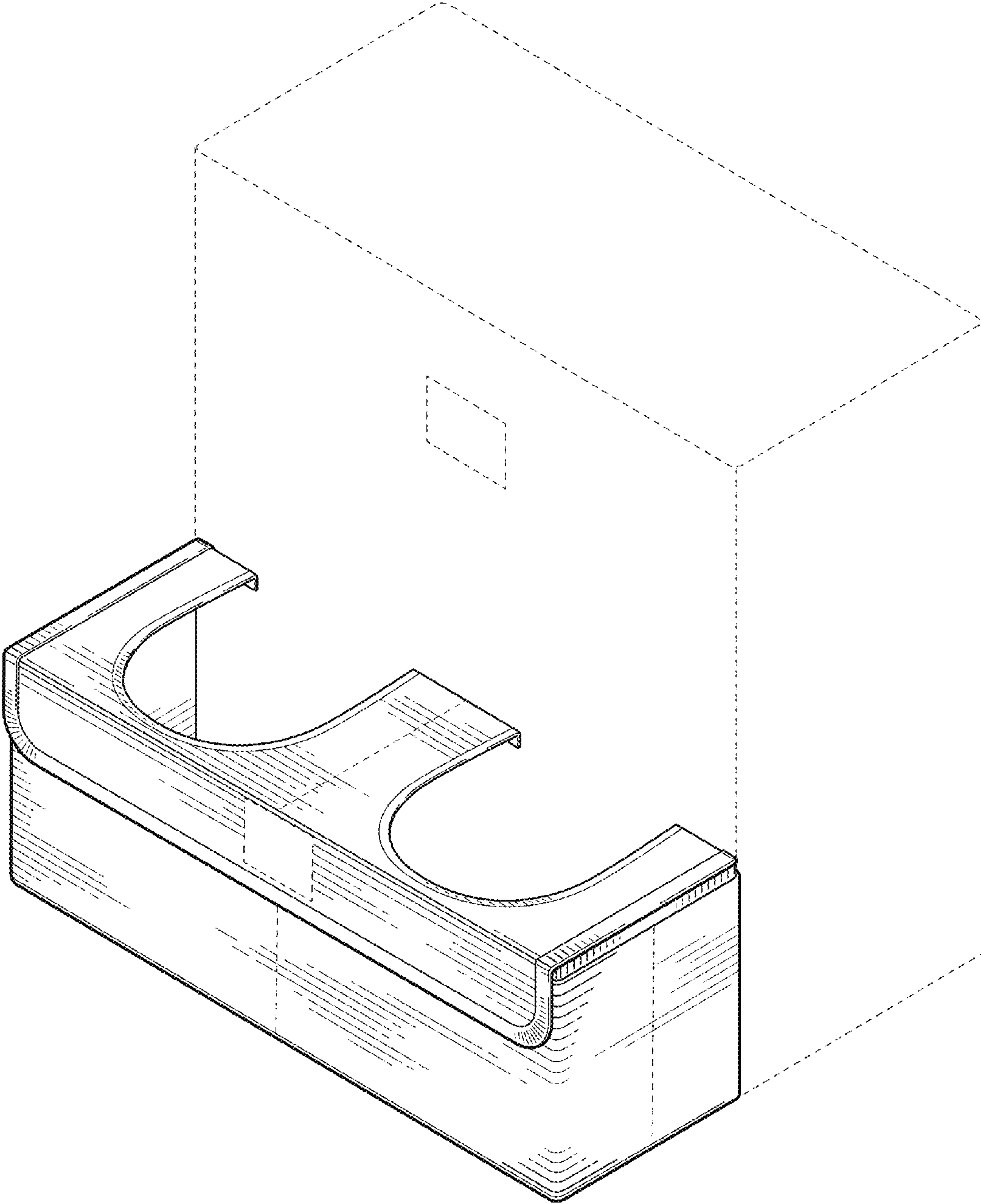


FIG. 7