



US00D786630S

(12) **United States Design Patent** (10) **Patent No.:** **US D786,630 S**
Walsh et al. (45) **Date of Patent:** **** May 16, 2017**

- (54) **SIEVE**
- (71) Applicant: **D & J Products, Inc.**, Bellvue, CO (US)
- (72) Inventors: **Daniel J. Walsh**, Streamboat Springs, CO (US); **Jordan Levick**, Bellvue, CO (US)
- (73) Assignee: **D & J Products, Inc.**, Bellvue, CO (US)
- (**) Term: **15 Years**

- D330,992 S 11/1992 Kleek
- D334,691 S 4/1993 Feer
- D349,211 S 8/1994 Cerato
- D359,887 S 7/1995 Hasuike
- 5,505,850 A 4/1996 Licari
- 5,622,266 A 4/1997 Curtis
- D398,088 S 9/1998 Angier
- D408,693 S 4/1999 Wong
- D420,864 S 2/2000 Kenney et al.
- D433,884 S 11/2000 Fujimoto
- D440,126 S 4/2001 Smaldone
- D445,004 S 7/2001 Wallays
- D450,547 S 11/2001 Lo

(Continued)

- (21) Appl. No.: **29/559,473**
- (22) Filed: **Mar. 29, 2016**

Related U.S. Application Data

- (63) Continuation of application No. 29/513,500, filed on Dec. 31, 2014, now Pat. No. Des. 752,399.
- (51) **LOC (10) Cl.** **07-02**
- (52) **U.S. Cl.**
USPC **D7/667**
- (58) **Field of Classification Search**
USPC D7/571, 543, 667; 210/464-465, 210/498-499, 497.01; 99/415, 425; 209/233, 391, 418
CPC A47J 43/22; A47J 43/24; A47J 37/1295; A45B 11/00
See application file for complete search history.

(56) **References Cited**

U.S. PATENT DOCUMENTS

- 96,973 A 11/1869 Saxton
- 3,980,563 A 9/1976 Greutert et al.
- D254,142 S 2/1980 Scherotto
- D298,403 S 11/1988 Hagberg et al.
- D299,497 S 1/1989 Reidenbach et al.
- D314,315 S 2/1991 Darnell

OTHER PUBLICATIONS

Design U.S. Appl. No. 29/513,500, filed Dec. 31, 2014.
(Continued)

Primary Examiner — Robin V Webster
Assistant Examiner — James Thorn, Sr.
(74) *Attorney, Agent, or Firm* — Craig R. Miles; CR Miles P.C.

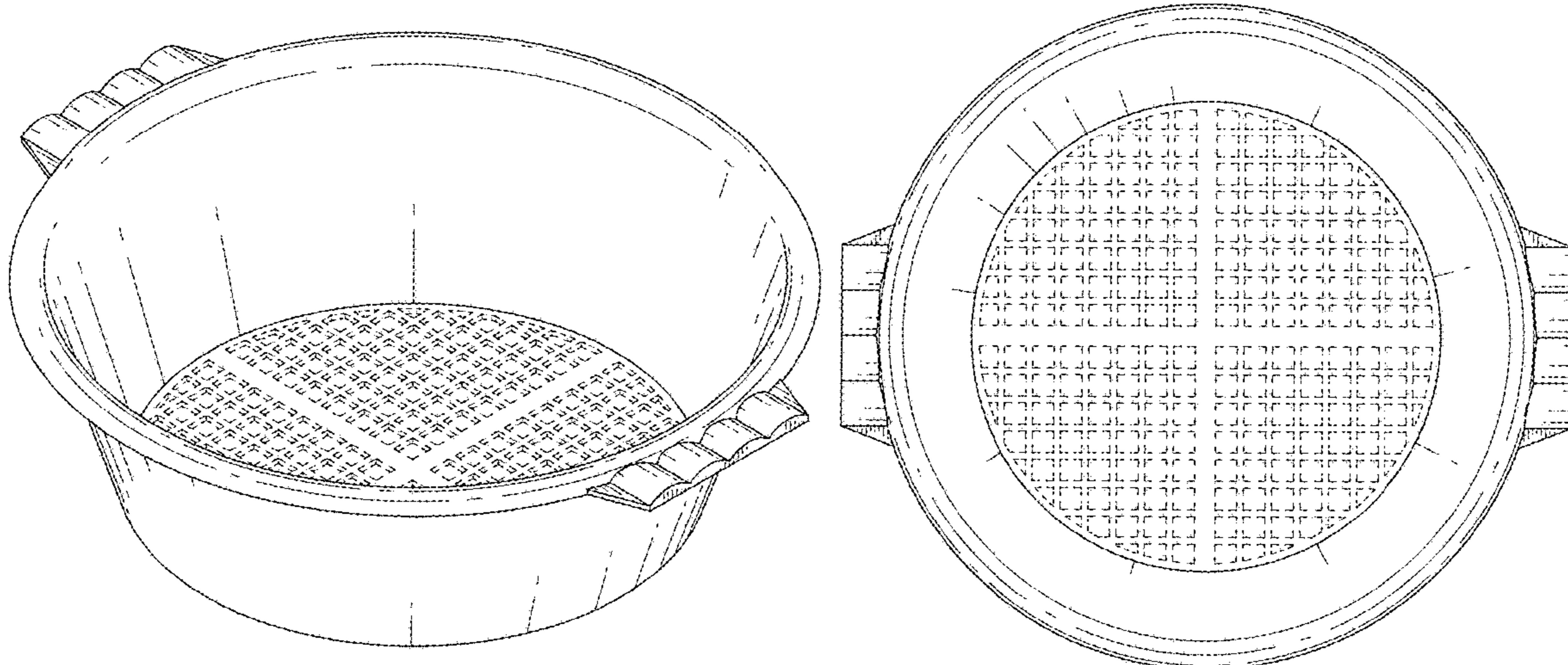
(57) **CLAIM**

The ornamental design for a sieve, as shown and described.

DESCRIPTION

FIG. 1 is a top and side perspective of a sieve, embodying our new design;
FIG. 2 is a top plan view thereof;
FIG. 3 is a bottom plan view thereof;
FIG. 4 is a front elevation view thereof, the front and rear elevation views are identical; and,
FIG. 5 is a side elevation view thereof, the left and right side elevation views are identical.
The broken lines shown are included for the purpose of illustrating the unclaimed portions of the article and form no part of the claim.

1 Claim, 4 Drawing Sheets



(56)

References Cited

U.S. PATENT DOCUMENTS

D480,096 S 9/2003 Hovian
 D486,999 S 2/2004 de Groote et al.
 D489,231 S 5/2004 Moeller et al.
 D498,121 S 11/2004 Moeller et al.
 D503,592 S 4/2005 de Groote et al.
 D512,284 S 12/2005 Massey
 D514,398 S 2/2006 Feil
 D523,300 S 6/2006 Tung
 7,114,459 B2 10/2006 Schmidt et al.
 D571,168 S 6/2008 Sais
 D641,215 S 7/2011 Heiberg et al.
 D648,983 S 11/2011 Zemel
 D666,086 S 8/2012 Mundhra
 D701,419 S 3/2014 Sickels et al.
 D720,960 S 1/2015 Ko et al.
 D733,509 S 7/2015 Cornu
 D734,103 S * 7/2015 Kin D7/667
 D744,302 S 12/2015 Westgard et al.
 D752,399 S * 3/2016 Walsh D7/667

D754,494 S * 4/2016 Schuler D7/667
 D754,495 S * 4/2016 Cotter D7/667
 D764,242 S * 8/2016 Frank D7/667
 D766,656 S * 9/2016 Mac Innis D23/209
 D766,675 S * 9/2016 Schlegel D7/601
 2016/0007803 A1* 1/2016 Girardin A47J 37/1295
 2016/0183731 A1* 6/2016 Merkazy A45B 11/00
 210/323.1
 210/239

OTHER PUBLICATIONS

Amazon.com. 13 ¾ Top Gold Sifting Pan with 11 Bottom ¼ Mesh Size, Fits 5 gal. Bucket. Website, <http://www.amazon.com>, originally downloaded Dec. 19, 2014, 1 page.
 Pioneer Mining. Bucket Sieve Container. Website, <http://www.pioneermining.com>, originally downloaded Dec. 19, 2014, 2 total pages.
 Pioneer Mining. Pans & Screens. Website, <http://www.pioneermining.com>, originally downloaded Dec. 19, 2014, 6 total pages.

* cited by examiner

FIG. 1

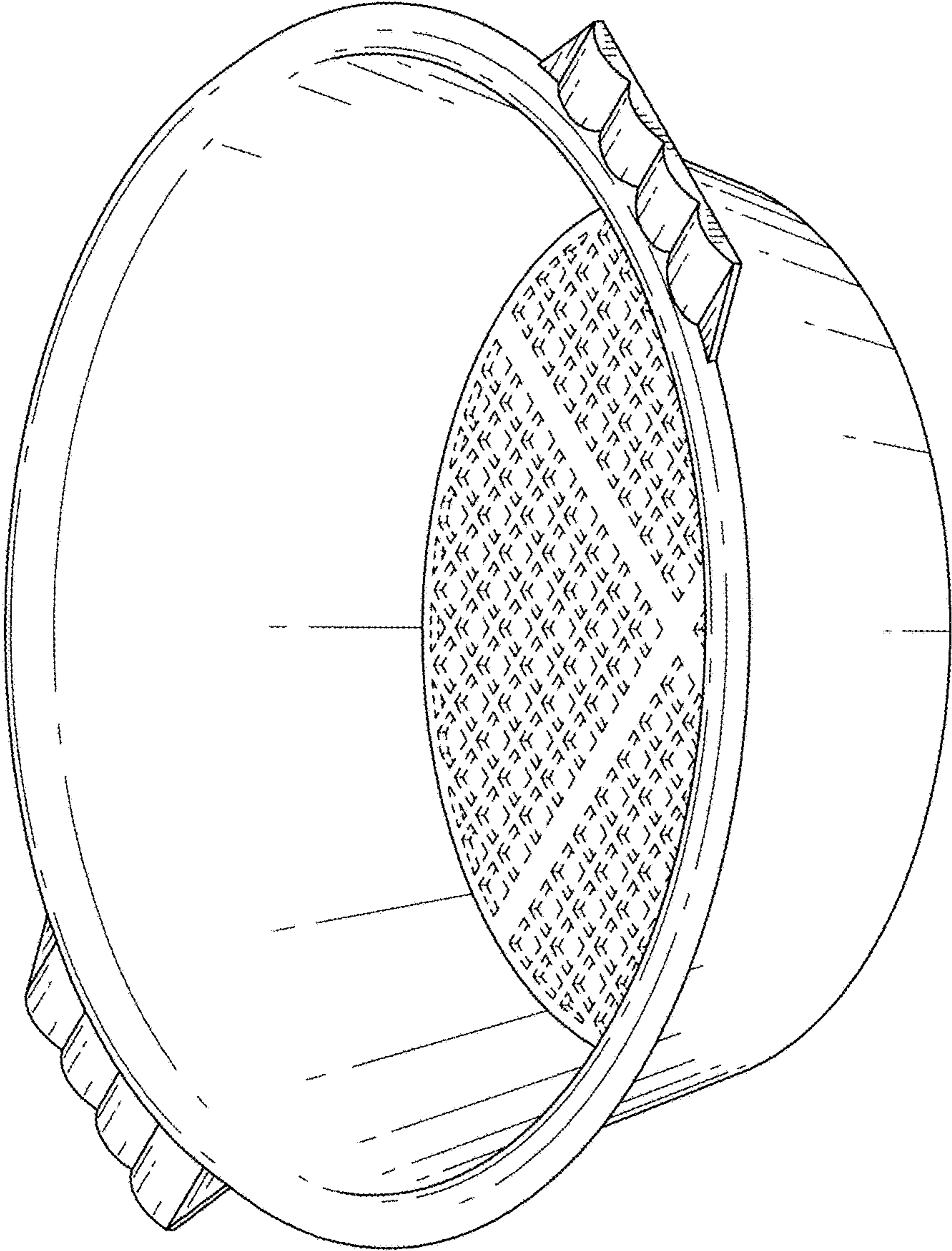


FIG. 2

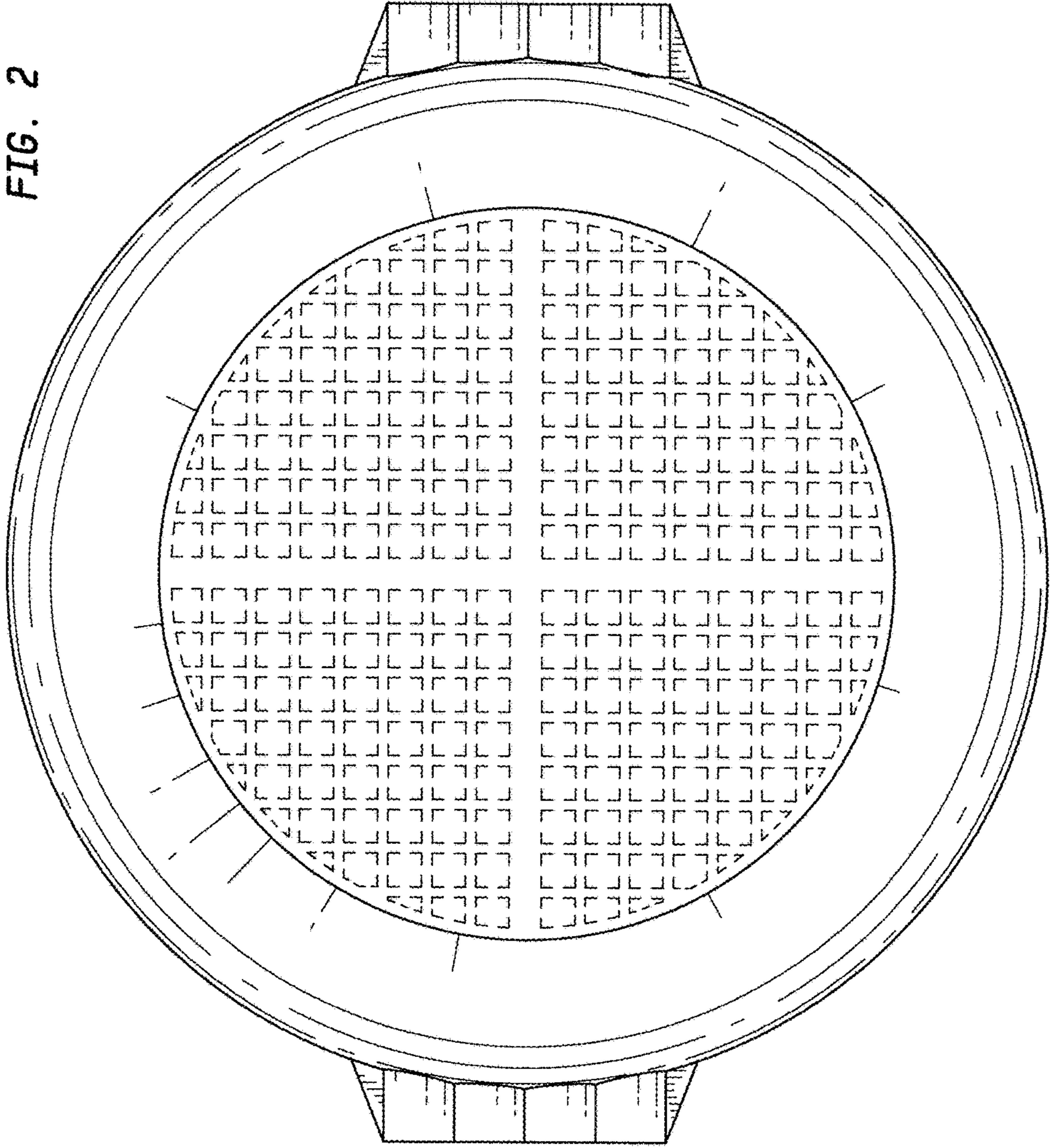


FIG. 3

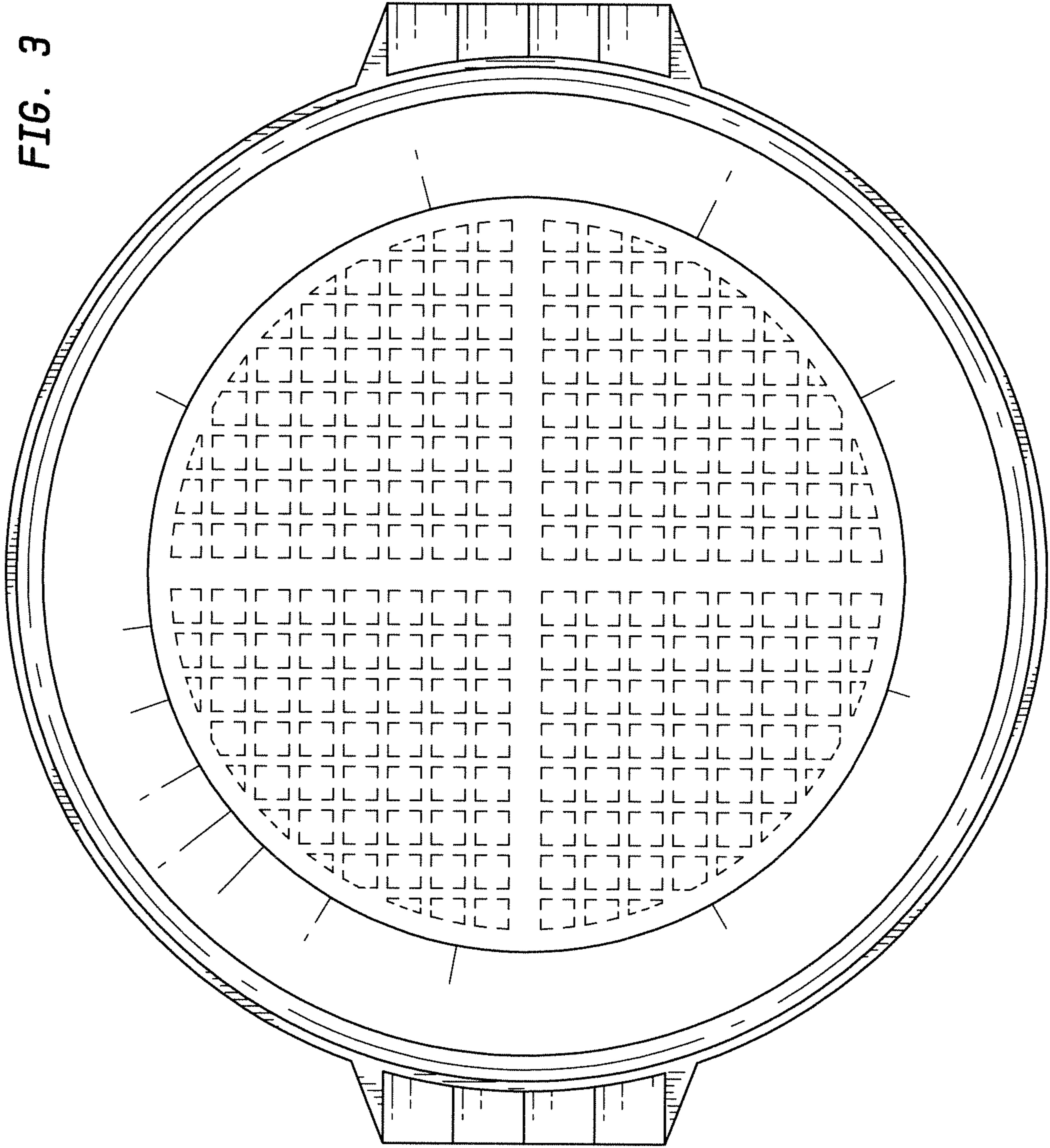


FIG. 4

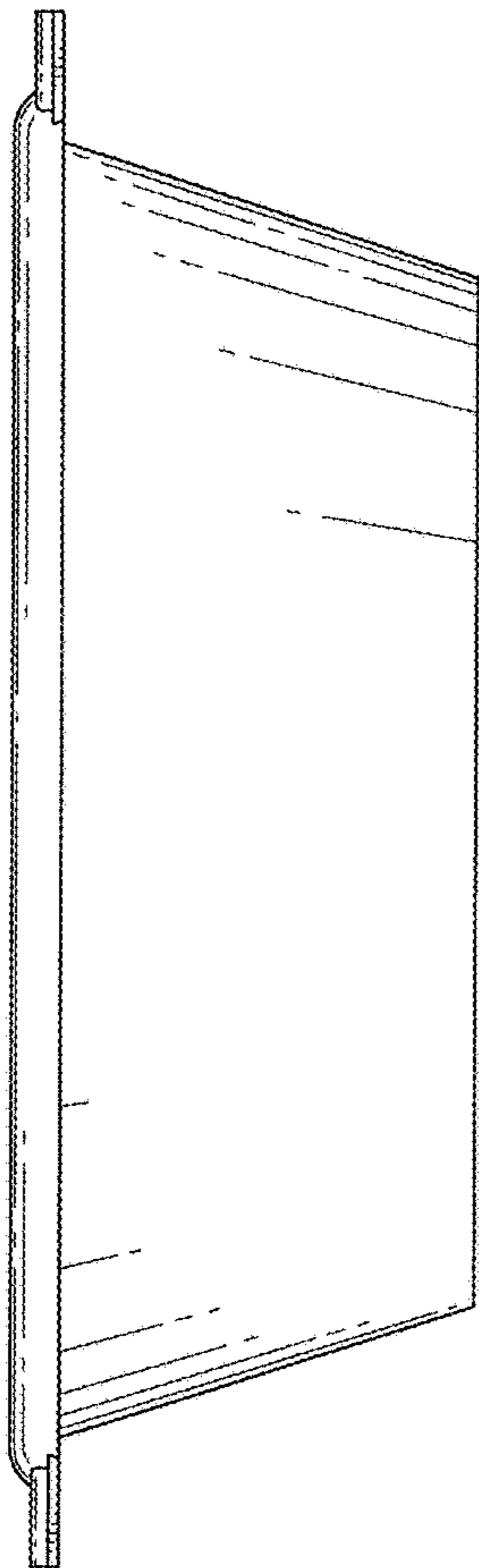


FIG. 5

