



US00D786621S

(12) **United States Design Patent**  
**Davis**

(10) **Patent No.:** **US D786,621 S**

(45) **Date of Patent:** **\*\* May 16, 2017**

(54) **TRAY FOR BEVERAGE MAKER OR DISPENSER**

(71) Applicant: **Cal Davis**, Victoria (CA)

(72) Inventor: **Cal Davis**, Victoria (CA)

(\*\*) Term: **15 Years**

(21) Appl. No.: **29/568,177**

(22) Filed: **Jun. 15, 2016**

(51) **LOC (10) Cl.** ..... **07-01**

(52) **U.S. Cl.**  
USPC ..... **D7/553.1; D7/555**

(58) **Field of Classification Search**  
USPC ..... D7/550.1, 553.1, 553.2, 554.3, 555;  
D9/432, 456, 424; 206/557-567  
CPC ..... A47G 19/00; B65D 1/34; B65D 21/00  
See application file for complete search history.

(56) **References Cited**

U.S. PATENT DOCUMENTS

- 4,838,444 A \* 6/1989 Bitel ..... B65D 1/36  
206/518
- D353,516 S \* 12/1994 Anderson ..... D7/553.2
- 5,573,693 A \* 11/1996 Lorence ..... B65D 65/42  
219/730
- D440,118 S \* 4/2001 Claffy ..... D7/553.1
- D568,687 S \* 5/2008 Lovett ..... D7/553.3

- D600,504 S \* 9/2009 Clark ..... D7/553.5
- 8,006,843 B1 \* 8/2011 McFarland ..... B65D 1/34  
206/503
- D737,633 S \* 9/2015 Breton ..... D7/553.6
- D769,676 S \* 10/2016 Alleyne ..... D7/553.8
- 2002/0012760 A1 \* 1/2002 Barry ..... A01N 25/34  
428/35.7
- 2009/0020450 A1 \* 1/2009 Heneghan ..... B60N 3/002  
206/567
- 2014/0263365 A1 \* 9/2014 Tollen ..... A47G 19/065  
220/575

\* cited by examiner

*Primary Examiner* — Cynthia Ramirez

*Assistant Examiner* — Andrew Kerr

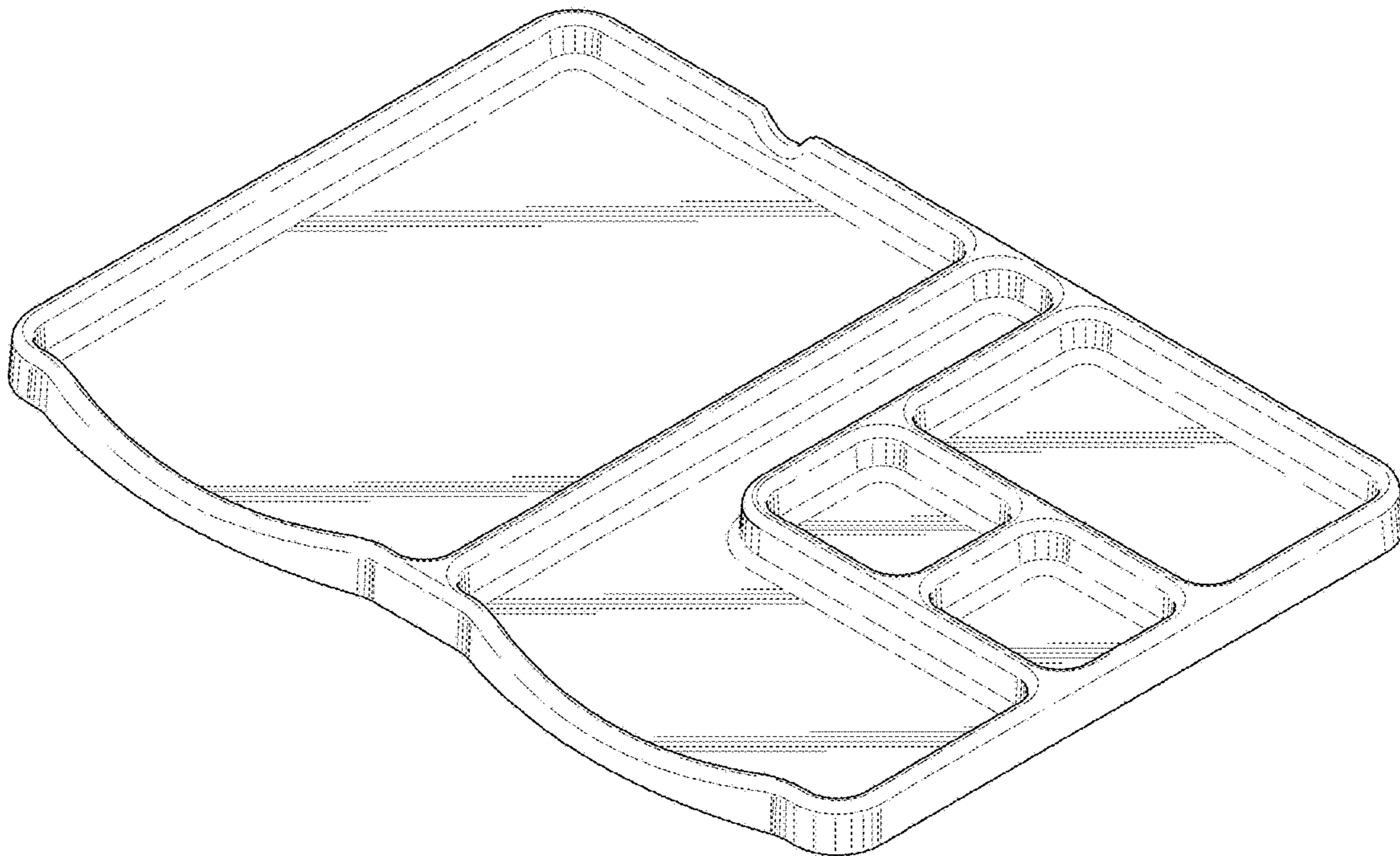
(57) **CLAIM**

The ornamental design for a tray for beverage maker or dispenser, as shown and described.

**DESCRIPTION**

FIG. 1 is a front perspective view of a tray for beverage maker or dispenser showing my new design;  
 FIG. 2 is a top view thereof;  
 FIG. 3 is a bottom view thereof;  
 FIG. 4 is a front view thereof;  
 FIG. 5 is a rear view thereof;  
 FIG. 6 is a right side view thereof; and,  
 FIG. 7 is a left side view thereof.

**1 Claim, 5 Drawing Sheets**



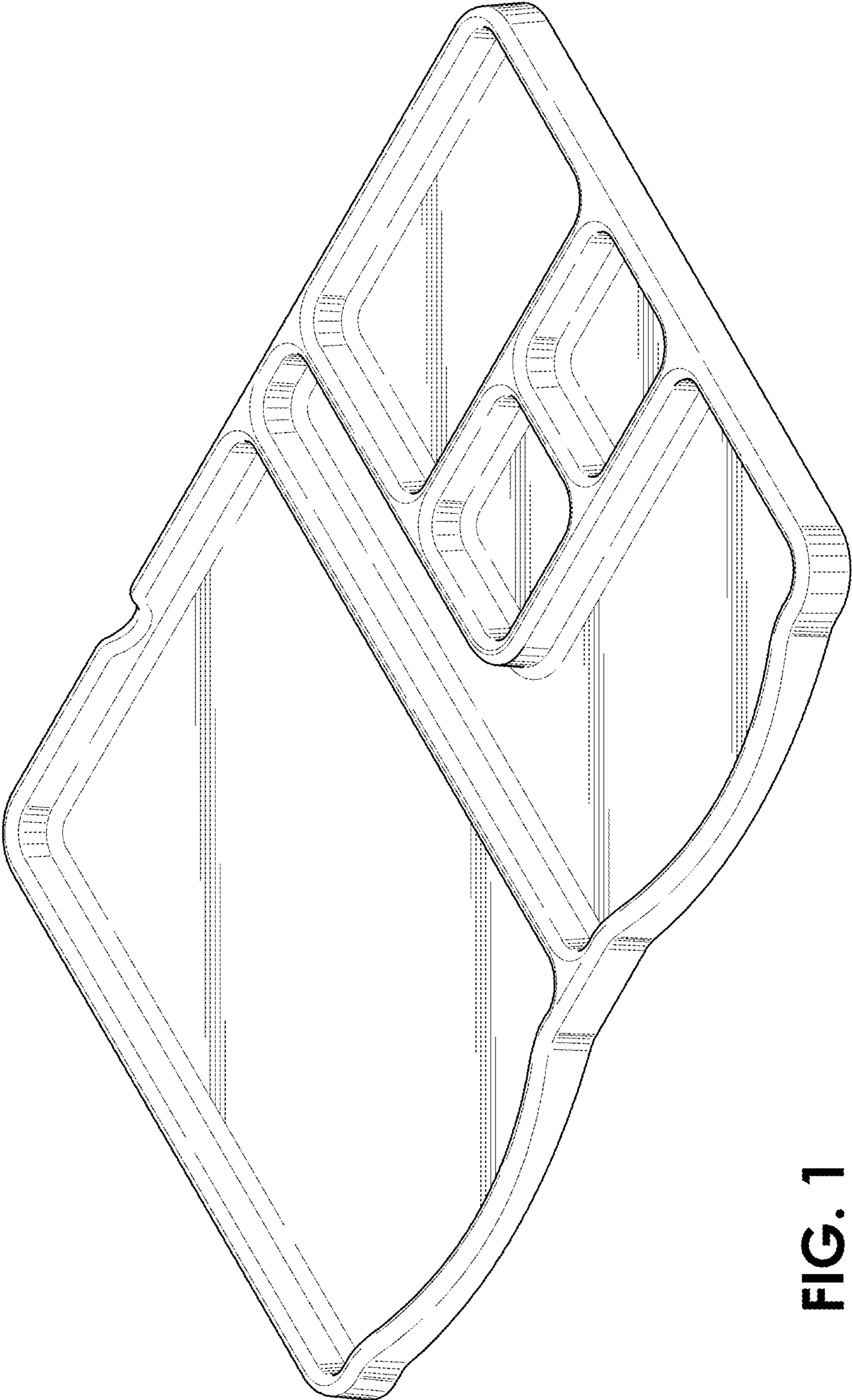


FIG. 1

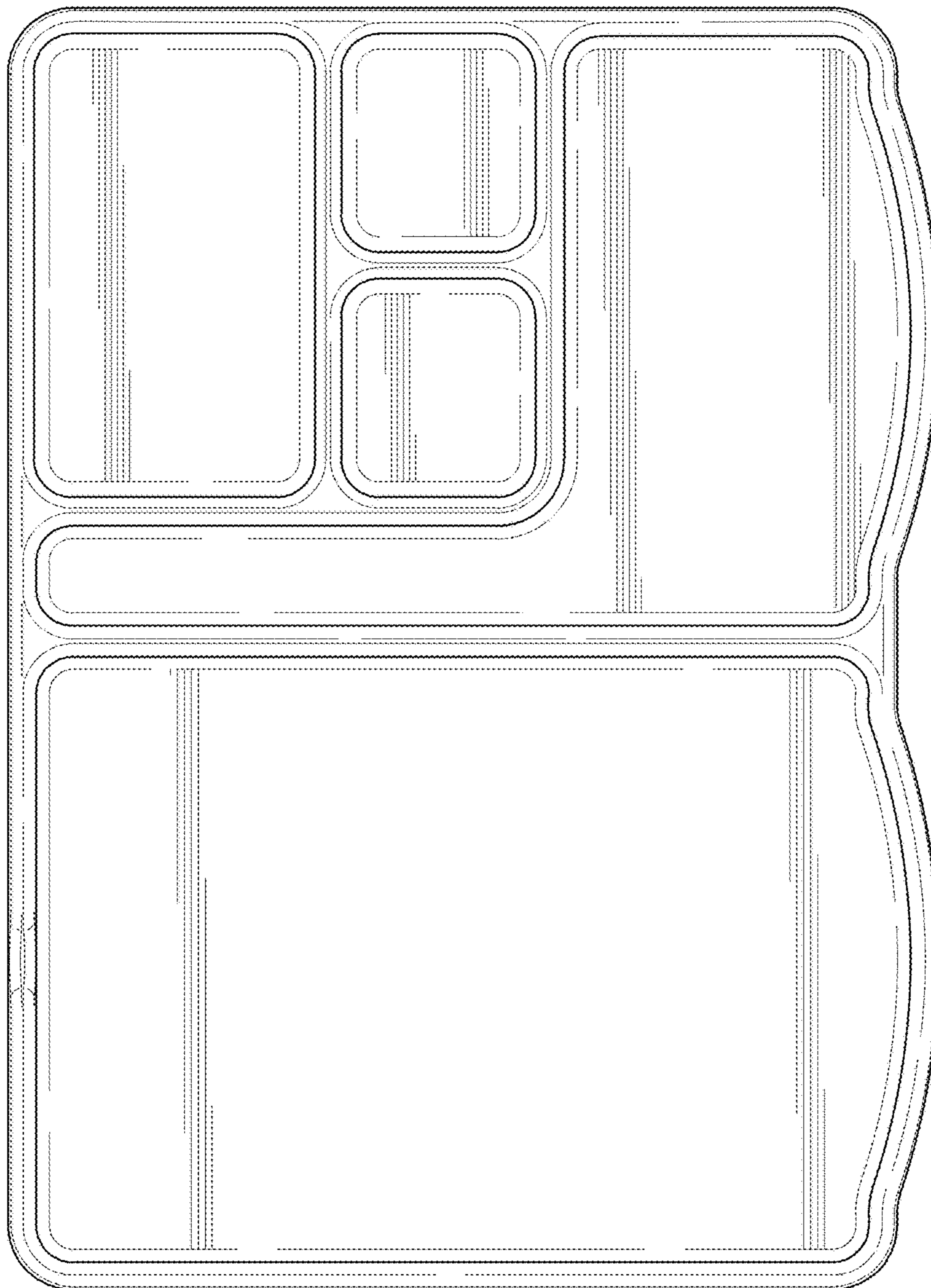


FIG. 2

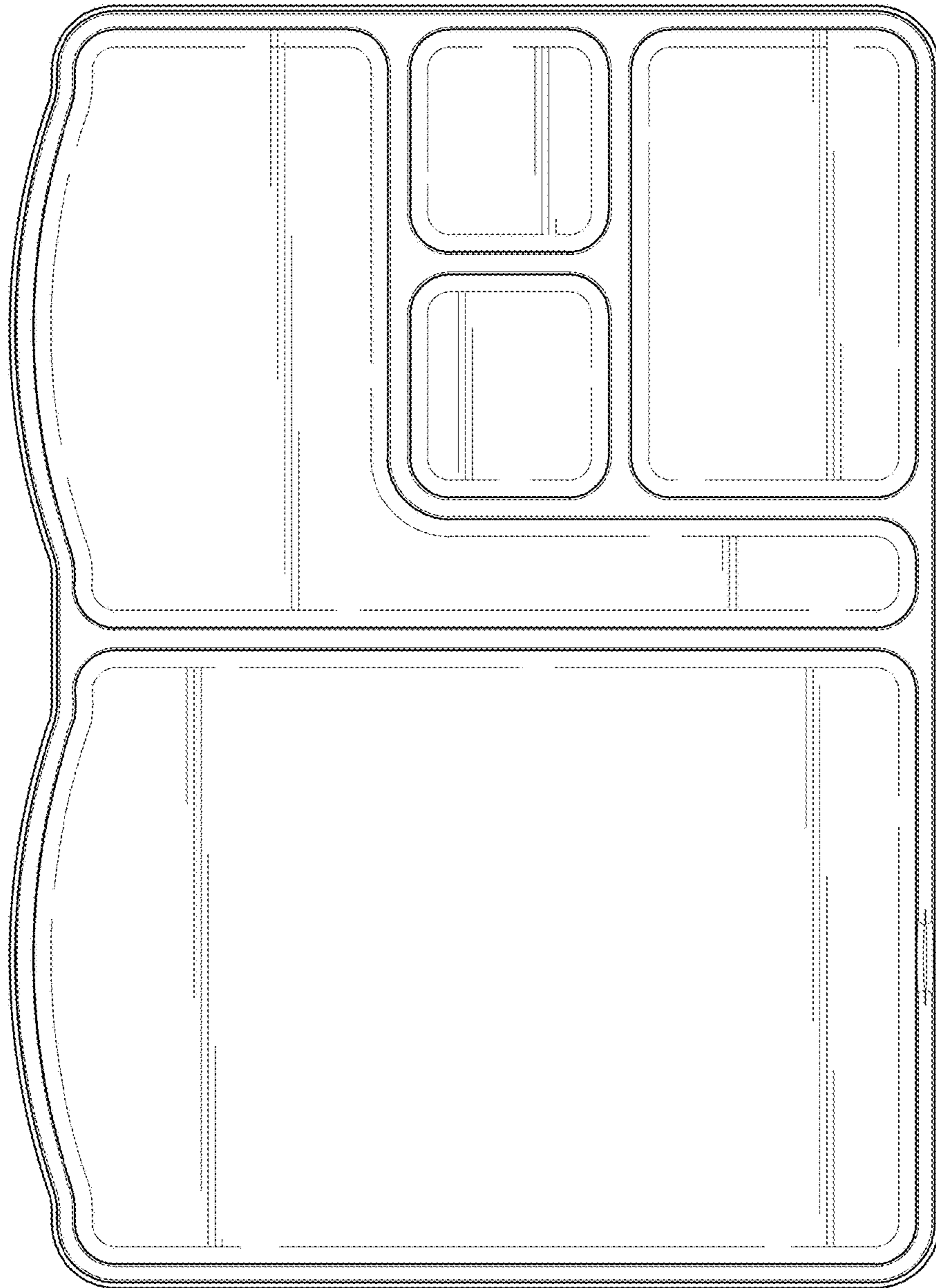
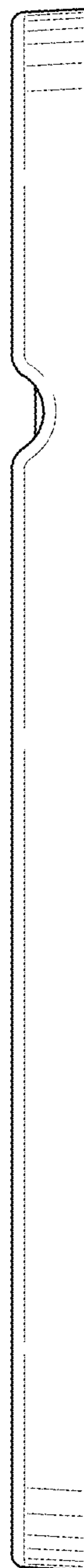


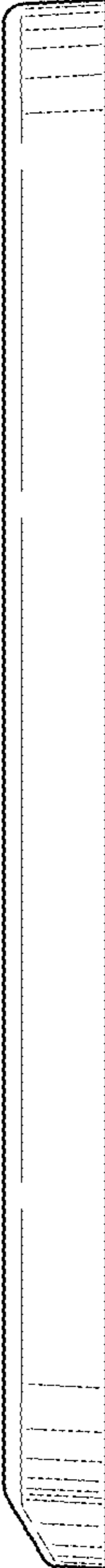
FIG. 3



**FIG. 4**



**FIG. 5**



**FIG. 6**



**FIG. 7**