

US00D786619S

(12) **United States Design Patent** (10) **Patent No.:** **US D786,619 S**
Joseph et al. (45) **Date of Patent:** **** May 16, 2017**

(54) **BEVERAGE CONTAINER**
(71) Applicant: **Ignite USA, LLC**, Chicago, IL (US)
(72) Inventors: **David Joseph**, St. Charles, IL (US);
Blair Miller, Chicago, IL (US)
(73) Assignee: **Ignite USA, LLC**, Chicago, IL (US)
(**) Term: **15 Years**
(21) Appl. No.: **29/546,488**
(22) Filed: **Nov. 23, 2015**
(51) **LOC (10) Cl.** **07-01**
(52) **U.S. Cl.**
USPC **D7/511; D7/510; D7/536; D7/532**
(58) **Field of Classification Search**
USPC D7/507, 509, 510, 511, 523, 529, 531,
D7/532, 533, 535, 536, 508, 392.1, 396.2,
D7/387, 543, 608; D8/33, 34;
220/592.16, 592.17, 295.03, 718, 719,
220/495.03, 62.12, 710.5; D9/517, 567,
D9/554, 555, 558, 503, 504, 552, 540
CPC .. B25B 13/52; B67B 7/00; B67B 7/14; B67B
7/16; A47G 19/22; A47G 19/2227; A45F
3/20
See application file for complete search history.

D672,648 S * 12/2012 Goto D9/443
D700,802 S * 3/2014 Miller D7/392.1
8,752,720 B1 * 6/2014 Habig B65D 55/16
215/306
D758,800 S * 6/2016 Hayslett D7/300.1
D762,117 S * 7/2016 Joseph D7/387
D763,622 S * 8/2016 Shirley D7/511
D774,826 S * 12/2016 Boroski D7/510
2009/0236341 A1 * 9/2009 McKinney A47G 19/2266
220/375

OTHER PUBLICATIONS

<http://www.avexoutdoor.com/64-oz-growler.html> Apr. 19, 2016
Avex Growler.*
Design U.S. Appl. No. 29/545,561, filed Nov. 13, 2015 entitled "Lid
for a Beverage Container", Inventor: David Joseph et al.
Design U.S. Appl. No. 29/544,405, filed Nov. 3, 2015 entitled "Lid
for a Beverage Container", Inventor: Bryan Washburn et al.

(Continued)

Primary Examiner — Marianne Pandozzi
Assistant Examiner — Jae Liang

(57) **CLAIM**

The ornamental design for a "beverage container," as shown
and described.

DESCRIPTION

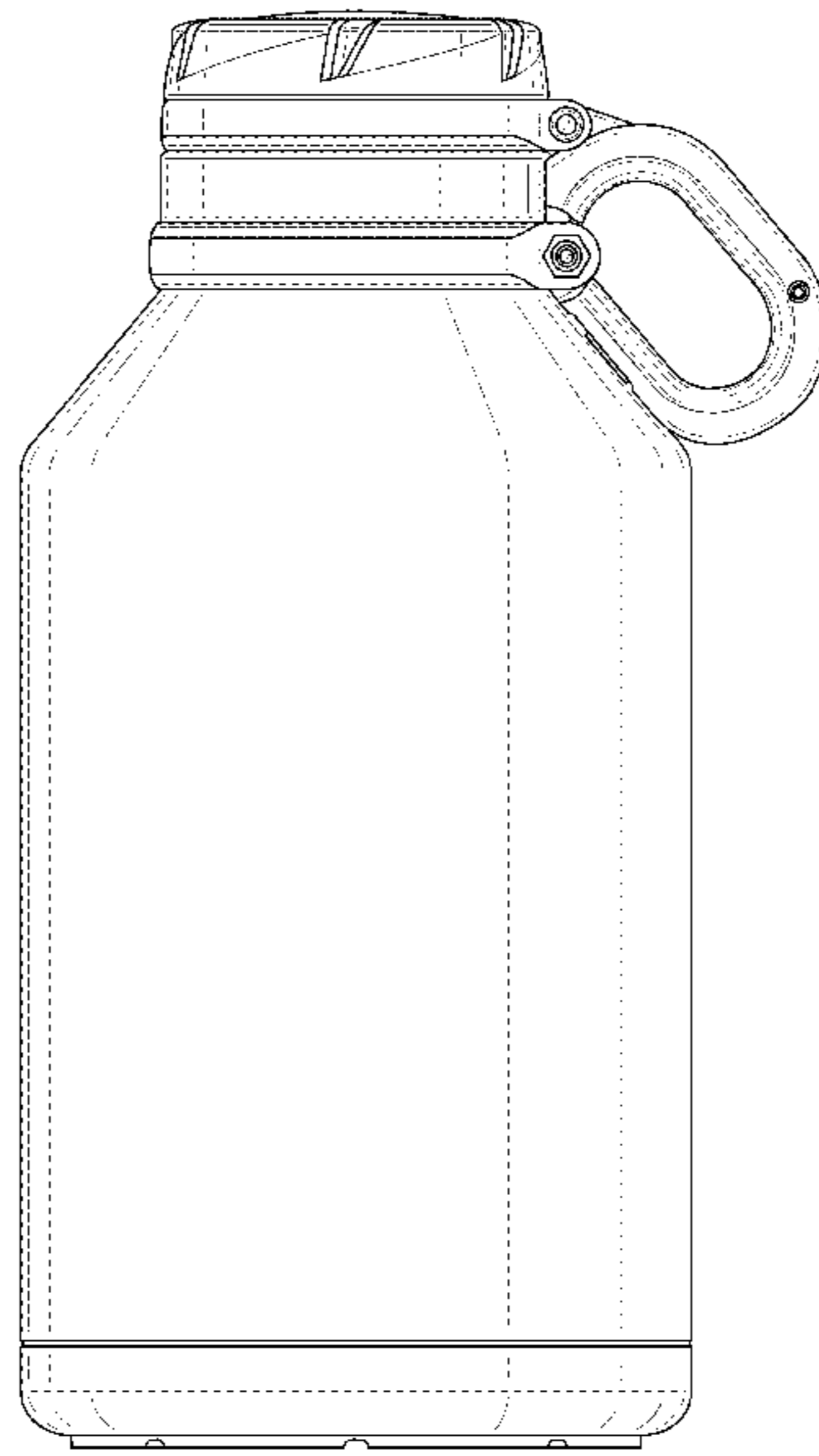
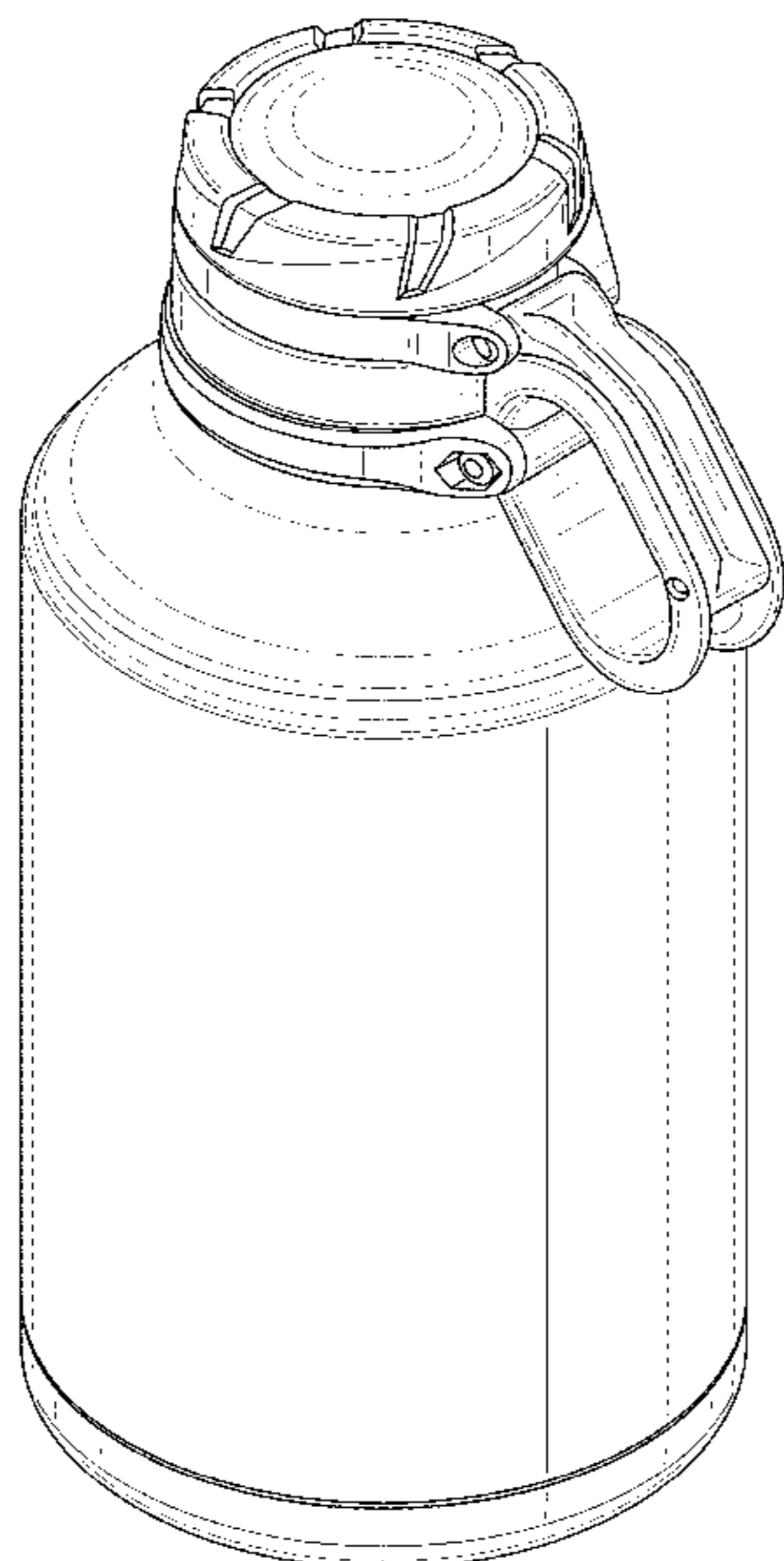
FIG. 1 is a perspective view of a beverage container showing
our new design;
FIG. 2 is a rear view thereof;
FIG. 3 is a front view thereof;
FIG. 4 is a left side view thereof;
FIG. 5 is a right side view thereof;
FIG. 6 is a top view thereof; and,
FIG. 7 is a bottom view thereof.
The broken lines in the drawing depict portions of the
beverage container that form no part of the claimed design.

1 Claim, 6 Drawing Sheets

(56) **References Cited**

U.S. PATENT DOCUMENTS

D346,801 S * 5/1994 Traina D14/189
5,433,339 A * 7/1995 Sarver A45F 3/04
220/756
D605,942 S * 12/2009 Miksovsky D9/446
D630,044 S * 1/2011 Lane D7/392.1
D658,446 S * 5/2012 George D7/511
D658,450 S * 5/2012 Ying D7/608
D660,082 S * 5/2012 Wahl D7/510
D672,609 S * 12/2012 Aziz D7/507



(56)

References Cited

OTHER PUBLICATIONS

Design U.S. Appl. No. 29/544,516, filed Nov. 4, 2015 entitled
"Beverage Container With Storage", Inventor: Bryan Washburn et
al.

Hydroflax, 64oz Growler, filed on or before Nov. 4, 2015, 1 page.

Innate Craft, 64oz Growler, filed on or before Nov. 4, 2015, 1 page.

Miir, 64oz Growler, filed on or before Nov. 4, 2015, 1 page.

* cited by examiner

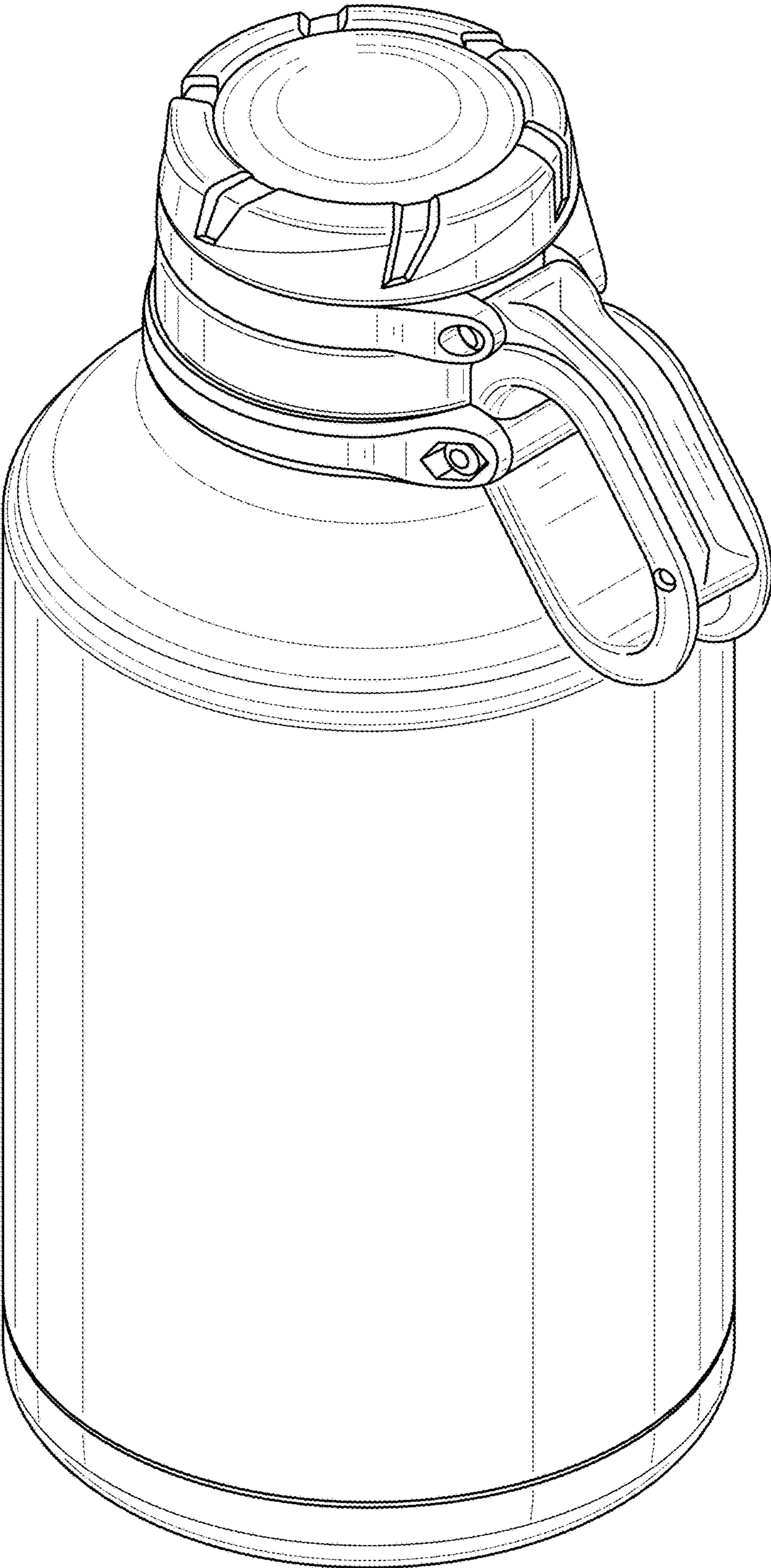


FIG. 1

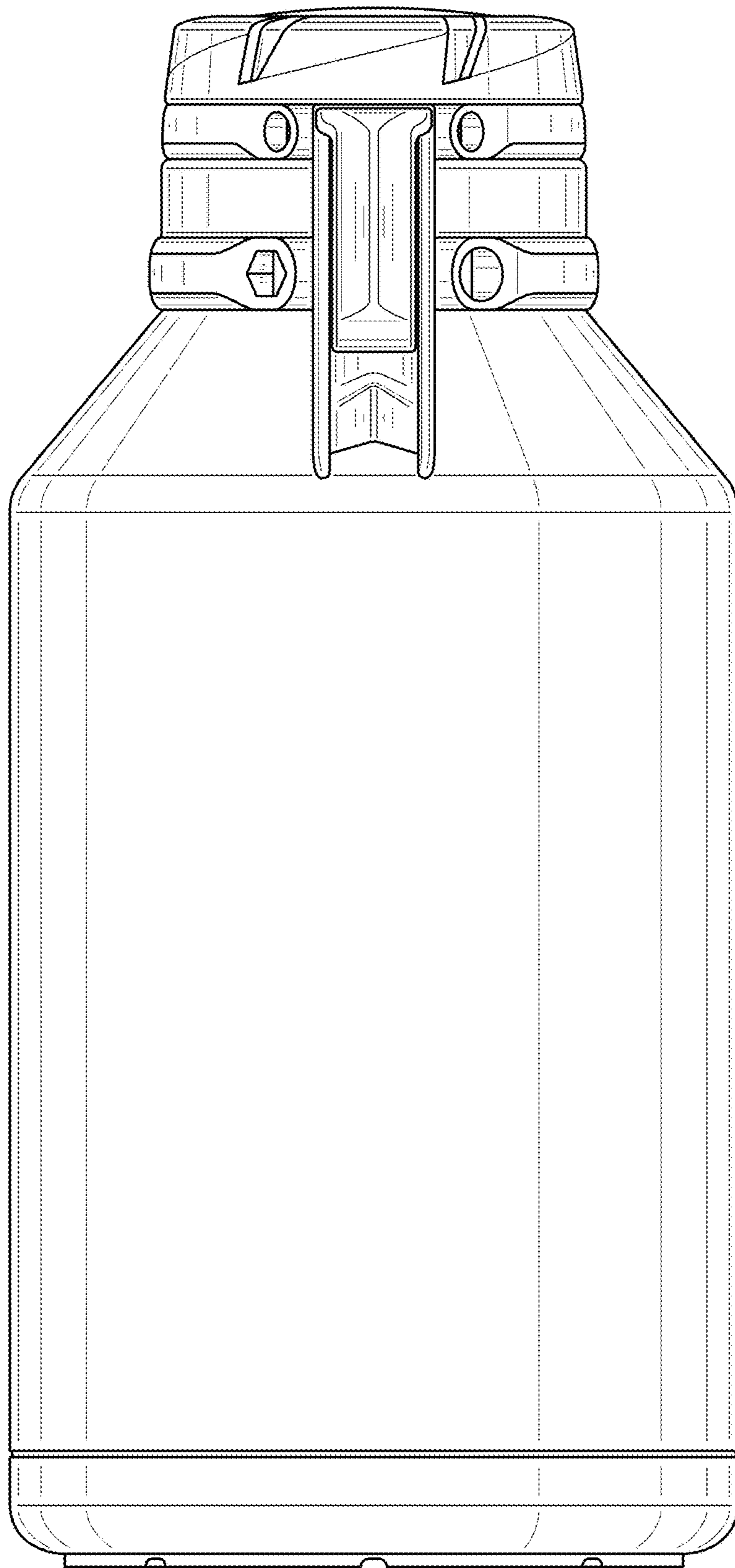


FIG. 2

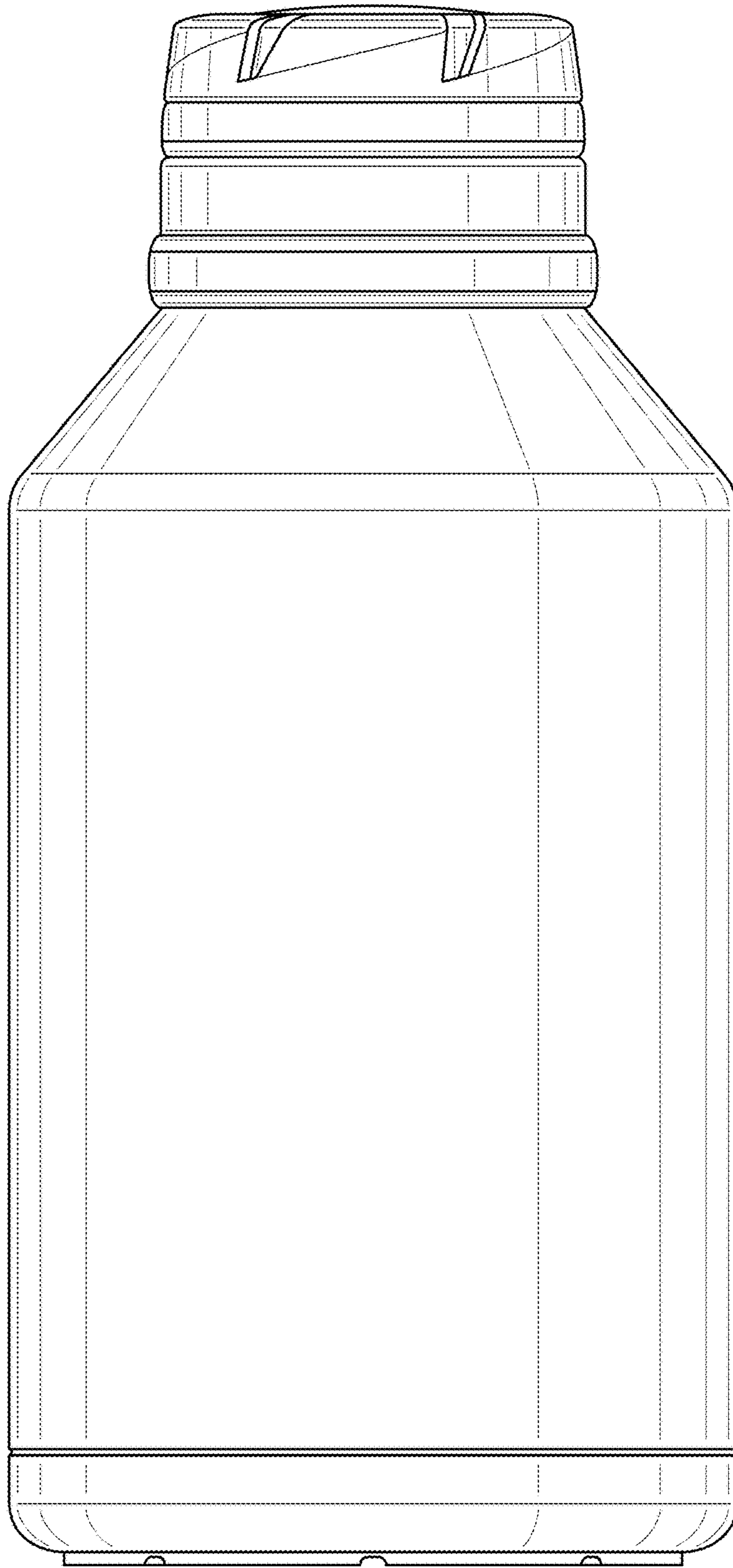


FIG. 3

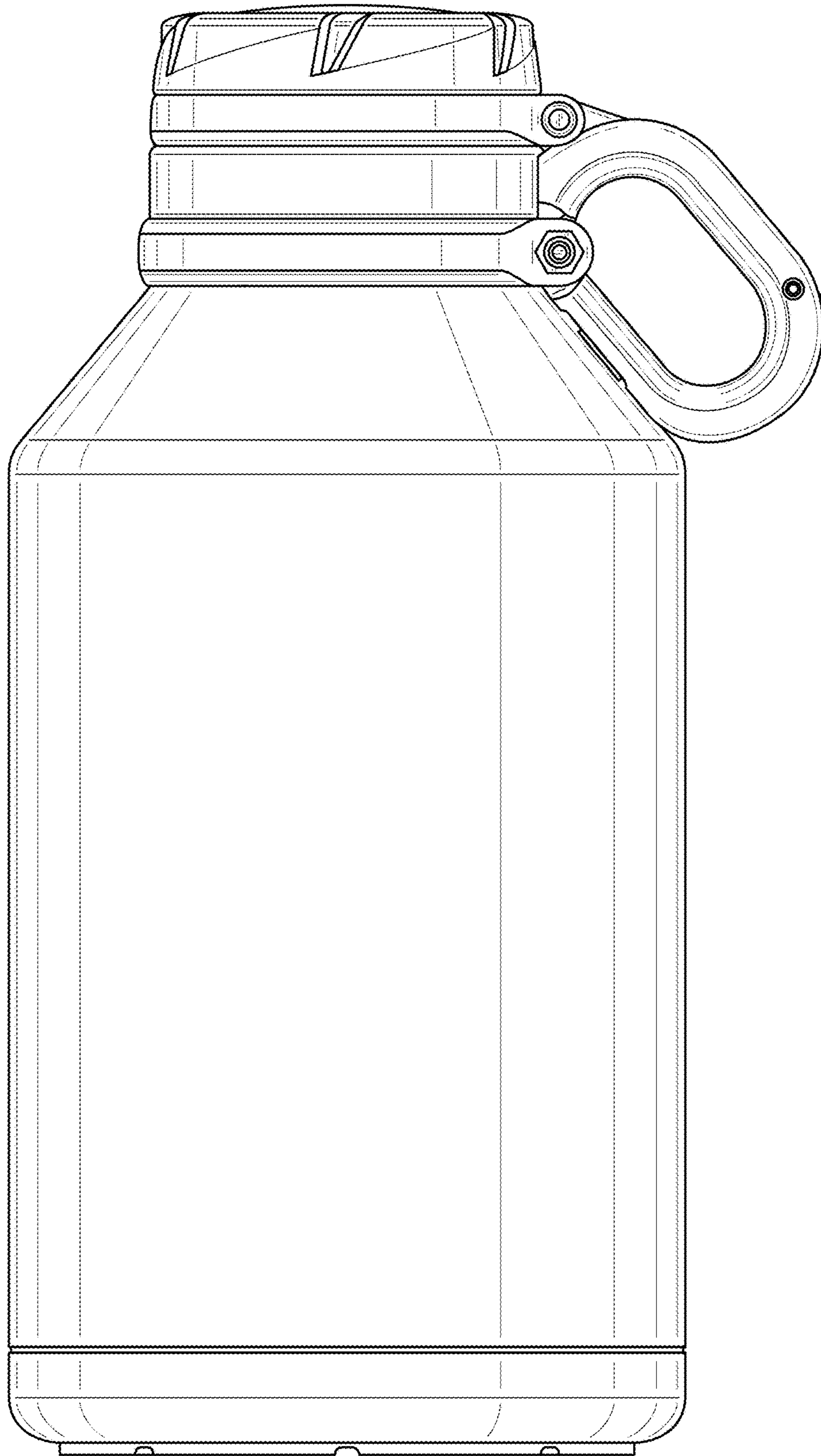


FIG. 4

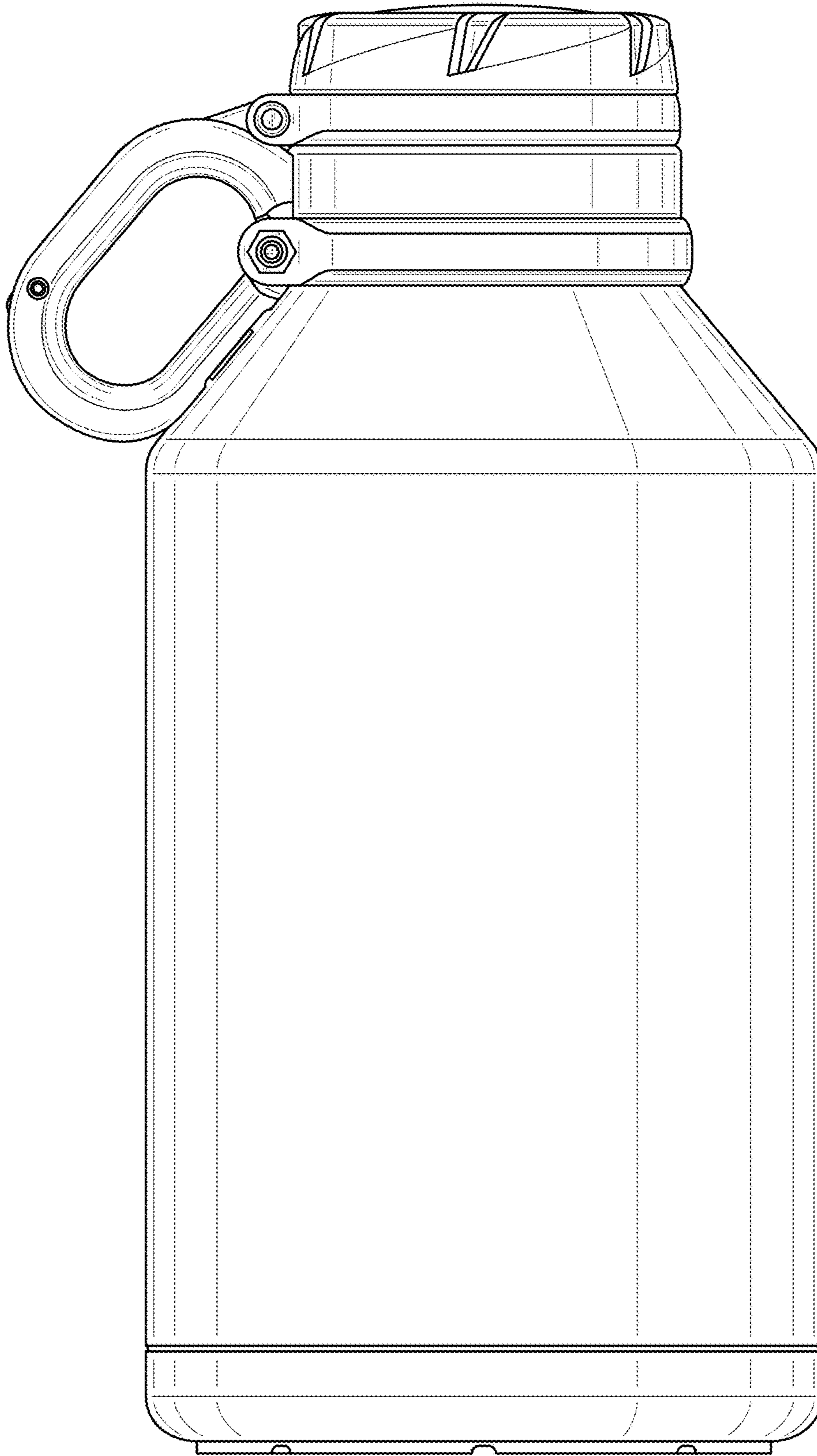


FIG. 5

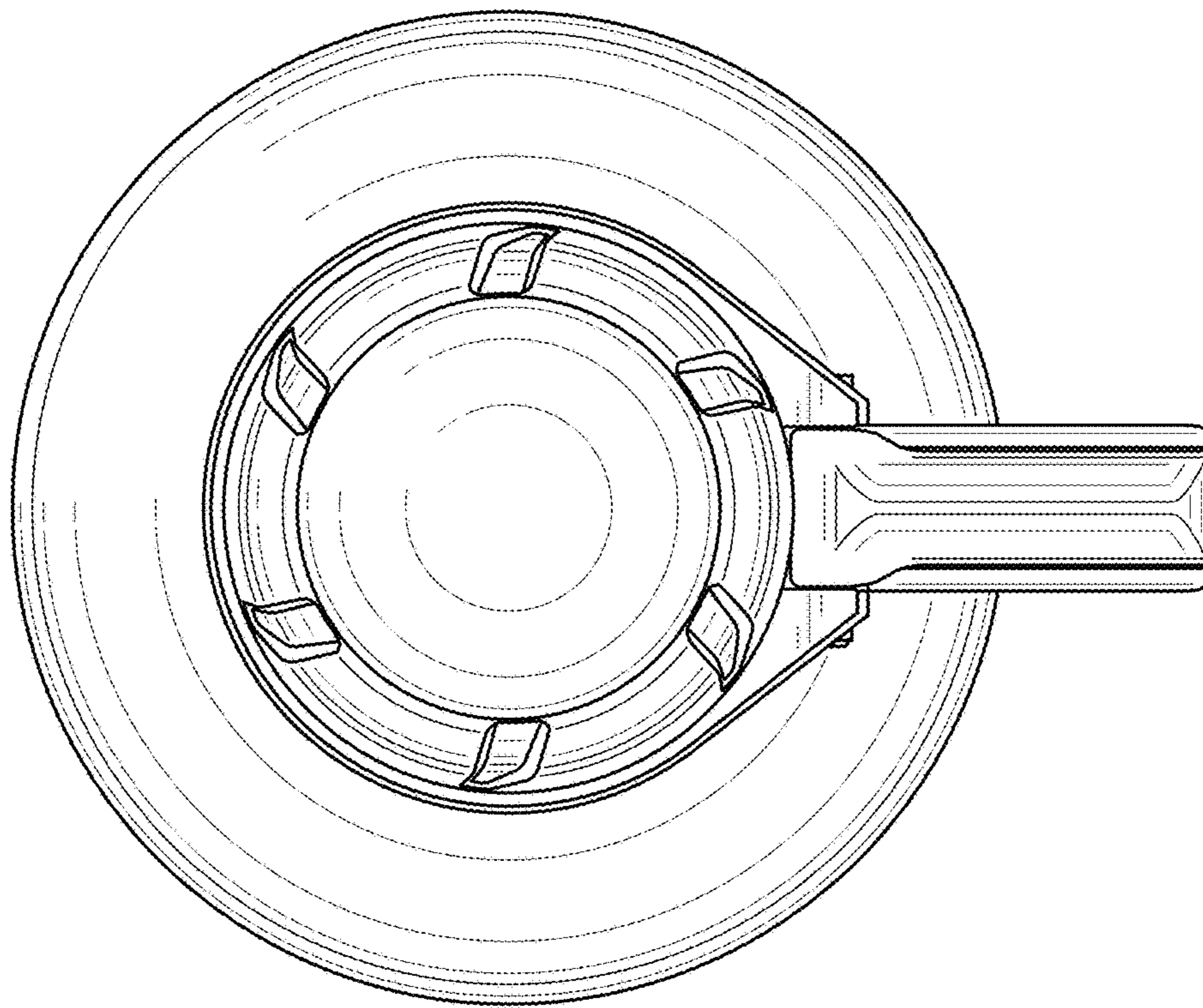


FIG. 6

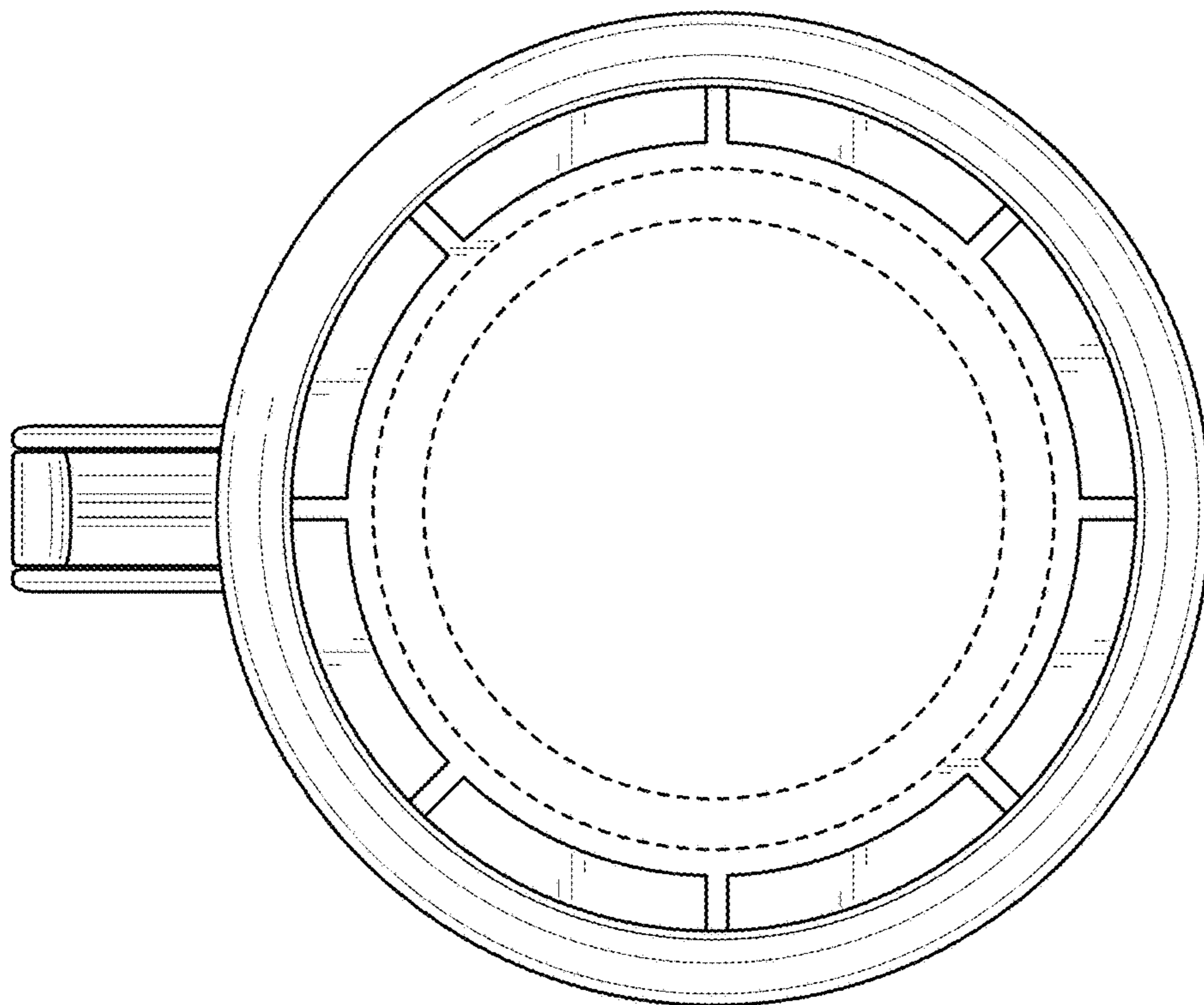


FIG. 7