



US00D786618S

(12) **United States Design Patent**
Parker et al.

(10) **Patent No.: US D786,618 S**

(45) **Date of Patent: ** May 16, 2017**

(54) **TRAINER STRAW CUP**

CPC A47G 19/22; A47G 19/2266; A47G 19/2272; A61J 9/00; A61J 9/06; A61J 9/08; A61J 9/085

(71) Applicant: **Jackel International Limited**,
Northumberland (GB)

See application file for complete search history.

(72) Inventors: **Richard Parker**, Newcastle Upon Tyne (GB); **Peter Angus**, Newcastle Upon Tyne (GB); **Matthew O'Brien**, Newcastle Upon Tyne (GB); **James Roe**, Glossop (GB); **Jason Roebuck**, Glossop (GB)

(56) **References Cited**

U.S. PATENT DOCUMENTS

D479,946 S *	9/2003	Jalet	D7/392.1
D538,938 S *	3/2007	Pillado	215/11.4
D609,527 S *	2/2010	Roehrig	D24/197
D642,435 S *	8/2011	Schofield	D24/197
D642,865 S *	8/2011	Schofield	D24/197
D642,866 S *	8/2011	Schofield	D24/197
D650,233 S *	12/2011	Roehrig	D24/197
D675,480 S *	2/2013	Thomas	D7/507
D684,426 S *	6/2013	Bottomley	D7/510
D713,687 S *	9/2014	Lv	D7/510
D716,461 S *	10/2014	Lau	D24/197
D721,250 S *	1/2015	Chen	D7/510

(Continued)

Primary Examiner — Marianne Pandozzi

Assistant Examiner — Jae Liang

(74) *Attorney, Agent, or Firm* — Olson & Cepuritis, Ltd.

(73) Assignee: **Jackel International Limited**,
Cramlington, Northumberland (GB)

(**) Term: **15 Years**

(21) Appl. No.: **29/568,372**

(22) Filed: **Jun. 17, 2016**

Related U.S. Application Data

(62) Division of application No. 29/516,581, filed on Feb. 4, 2015, now Pat. No. Des. 762,419.

(57) **CLAIM**

The ornamental design for a trainer straw cup, as shown and described.

(30) **Foreign Application Priority Data**

Aug. 4, 2014 (EM) 001419139-0011
Aug. 4, 2014 (EM) 001419139-0012

(51) **LOC (10) Cl.** **07-01**

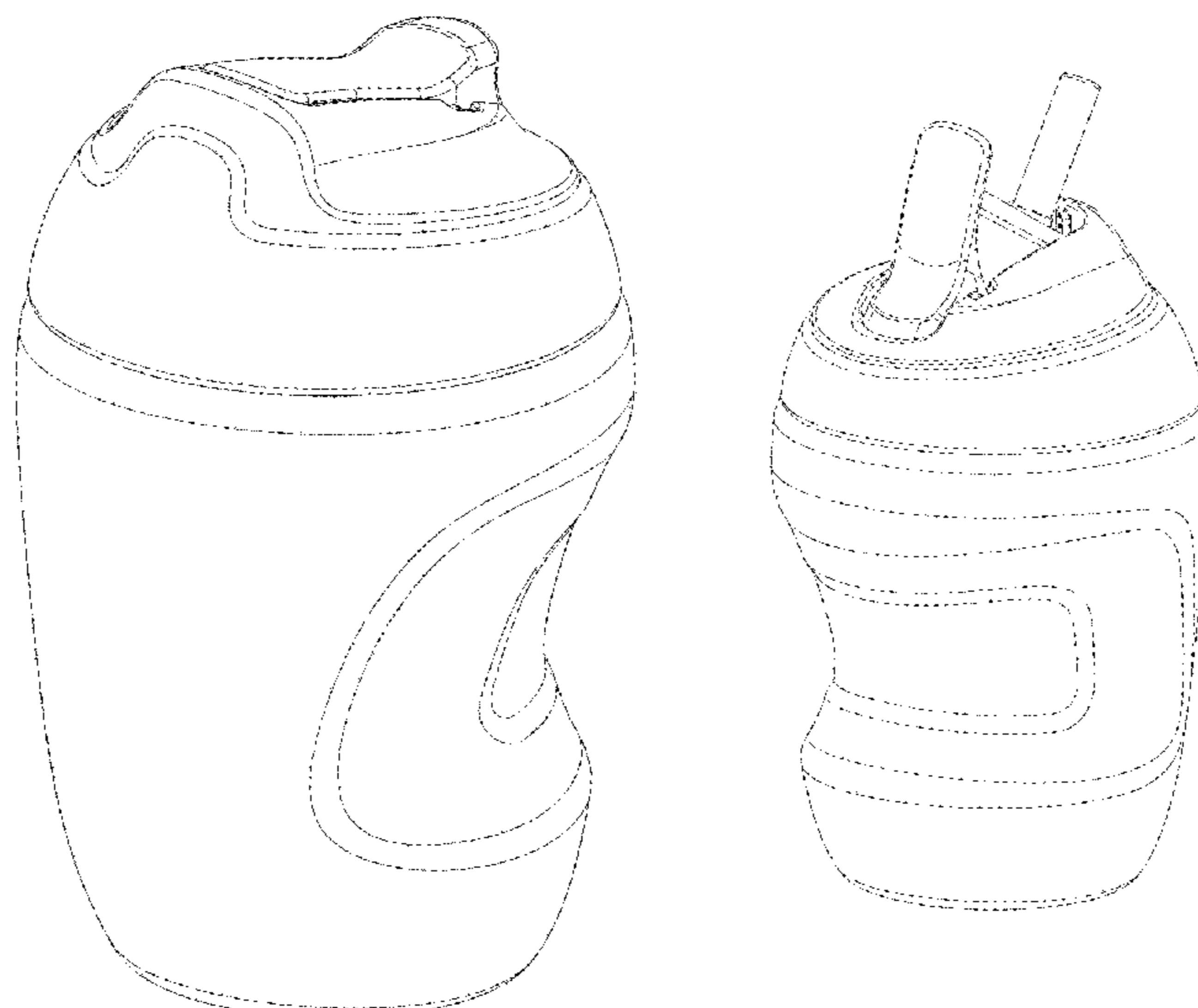
(52) **U.S. Cl.**
USPC **D7/510; D7/511; D7/507**

(58) **Field of Classification Search**
USPC D7/509–516, 523, 533, 534, 535, 543, D7/548, 300, 312, 314, 316, 318, 319, D7/320, 598, 589, 396.2, 507, 300.2, 529; 215/229; D24/197, 198, 199; 220/703, 220/714, 710, 710.5, 212.5; D9/436, 440, D9/447

DESCRIPTION

FIG. 1 is a perspective view of a trainer straw cup showing our new design;
FIG. 2 is a front elevational view thereof;
FIG. 3 is a rear elevational view thereof;
FIG. 4 is a right side elevational view thereof, the left side elevational view being a mirror image thereof;
FIG. 5 is a top plan view thereof;
FIG. 6 is a bottom plan view thereof; and,
FIG. 7 is a perspective view thereof in its extended position. The broken lines in the drawings depict portions of the trainer straw cup that form no part of the claimed design.

1 Claim, 7 Drawing Sheets



(56)

References Cited

U.S. PATENT DOCUMENTS

D729,569 S *	5/2015	Herbst	D7/392
D730,697 S *	6/2015	Johnson	D7/510
D755,569 S *	5/2016	Parker	D7/510
D755,572 S *	5/2016	Parker	D7/510
D757,494 S *	5/2016	Parker	D7/510
D757,495 S *	5/2016	Parker	D7/507
D762,419 S *	8/2016	Parker	D7/510
D763,624 S *	8/2016	Parker	D7/510
D764,235 S *	8/2016	Parker	D7/510

* cited by examiner



FIG. 1

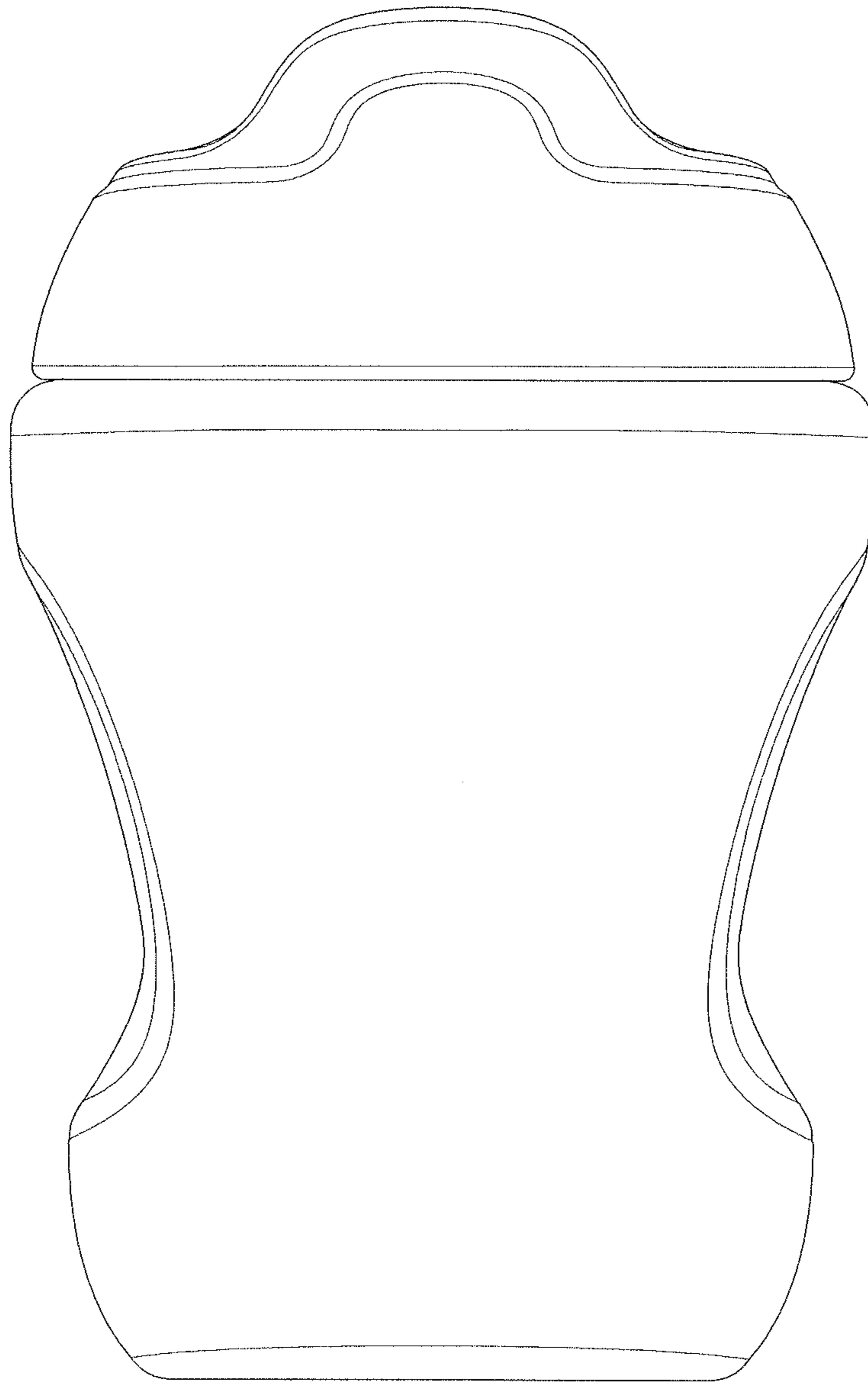


FIG. 2

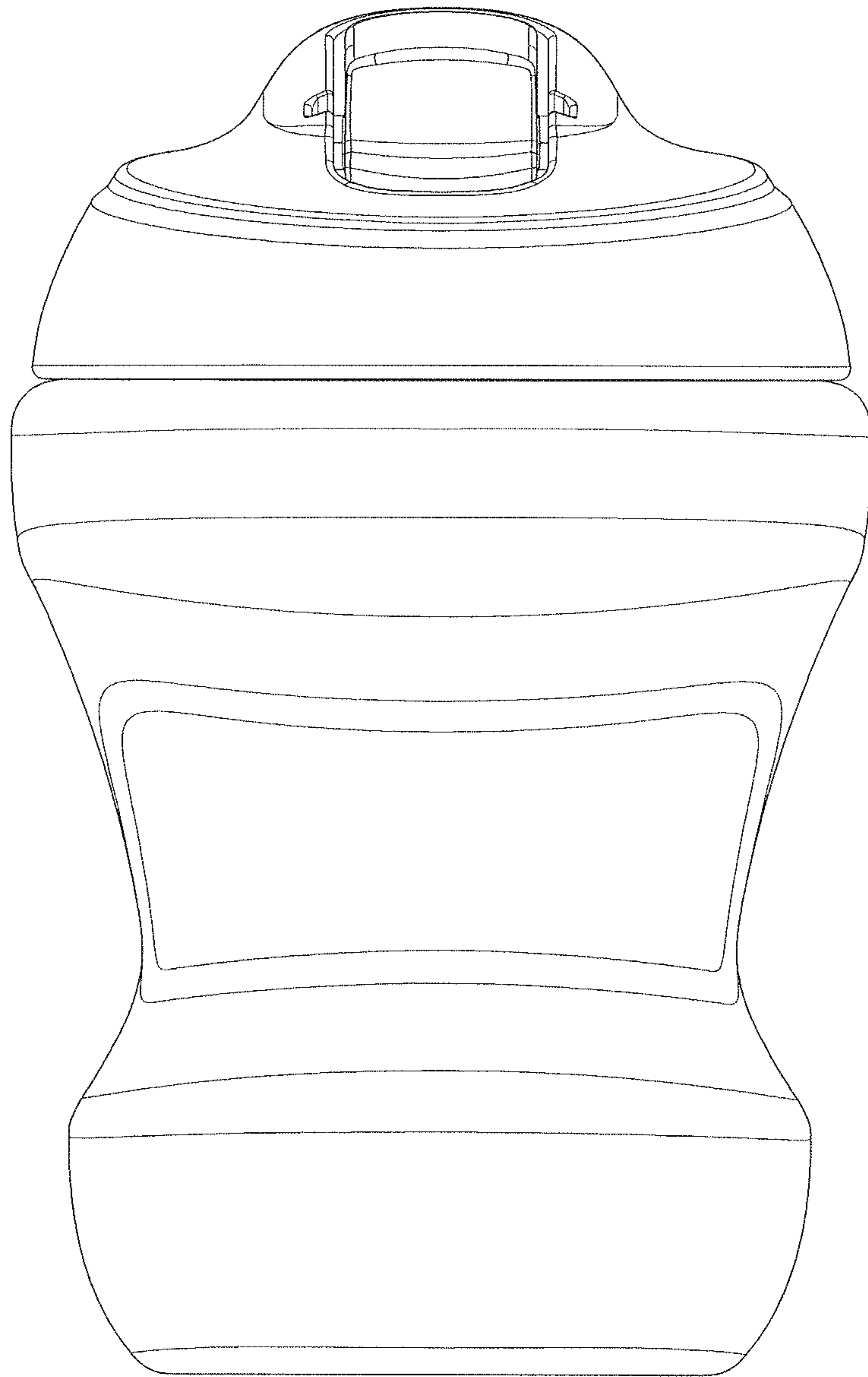


FIG. 3

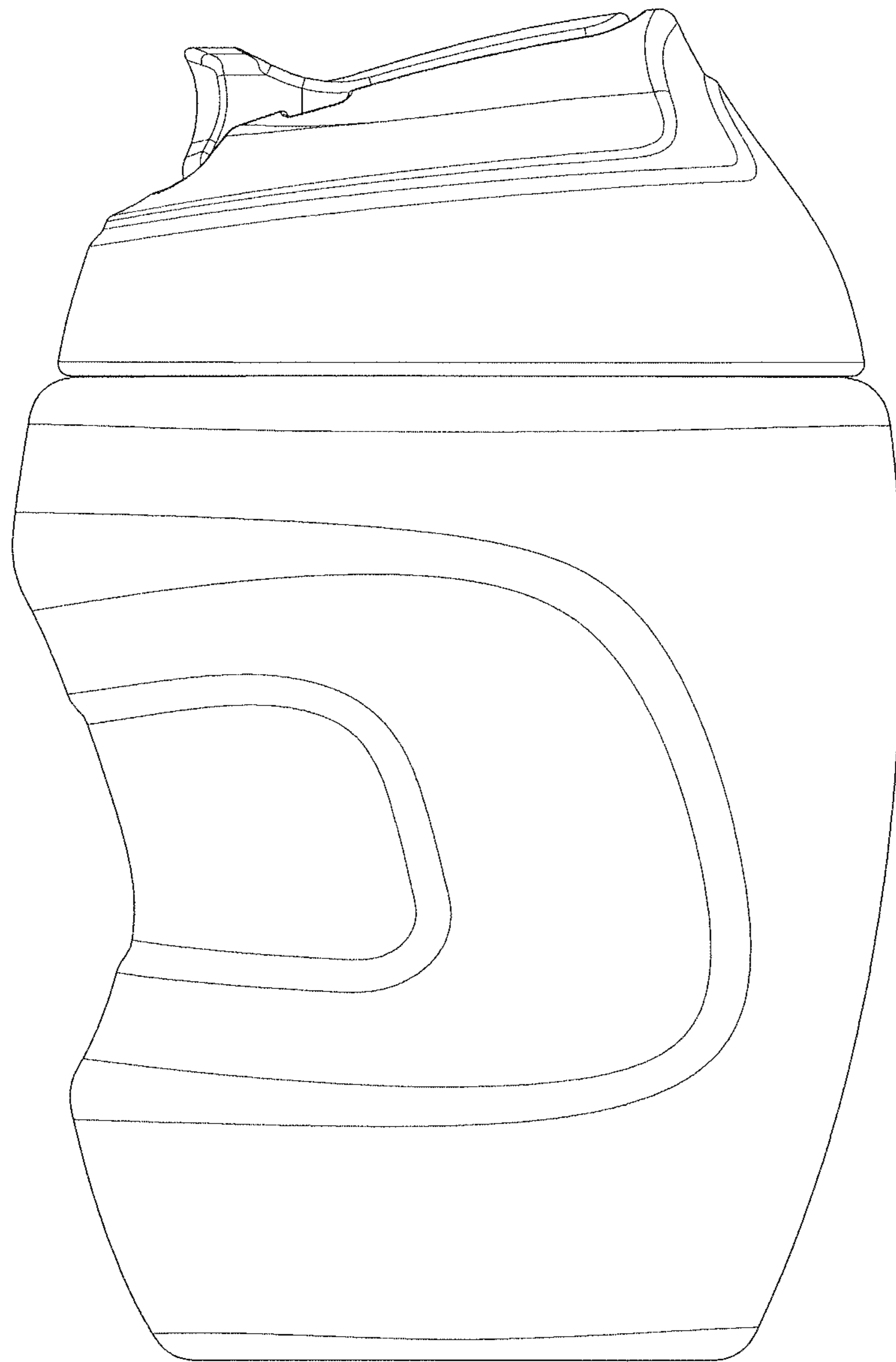


FIG. 4

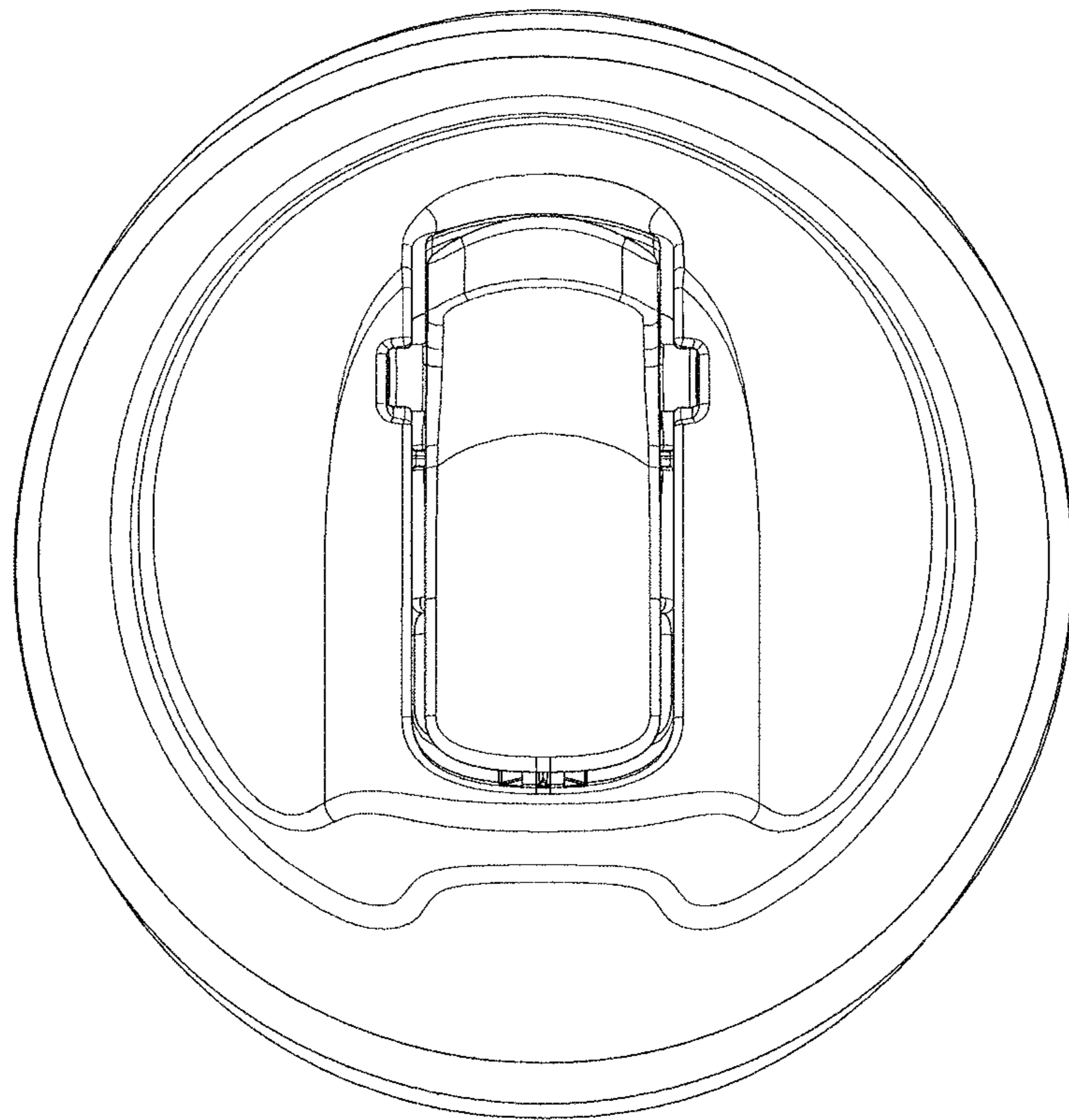


FIG. 5

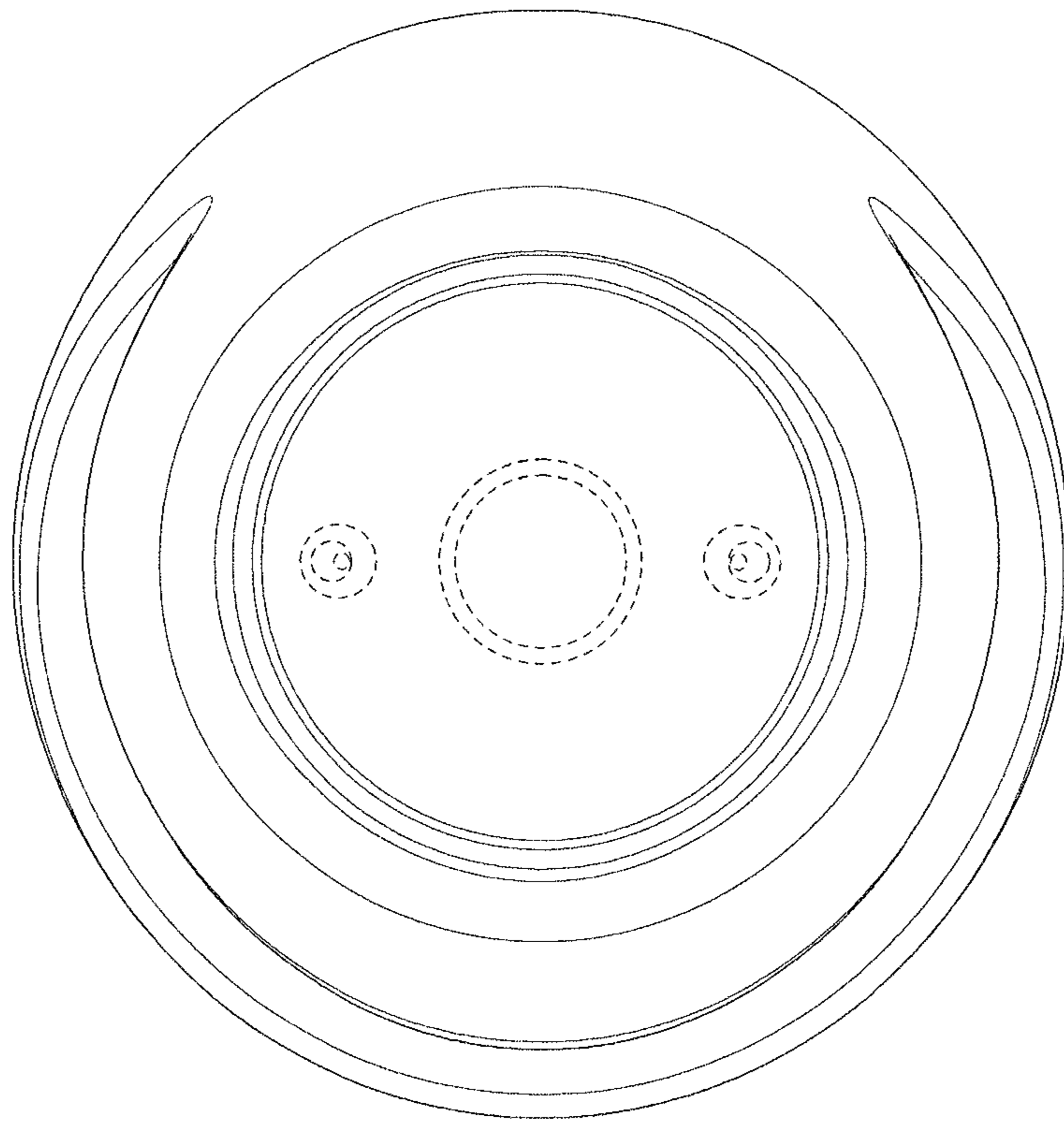


FIG. 6

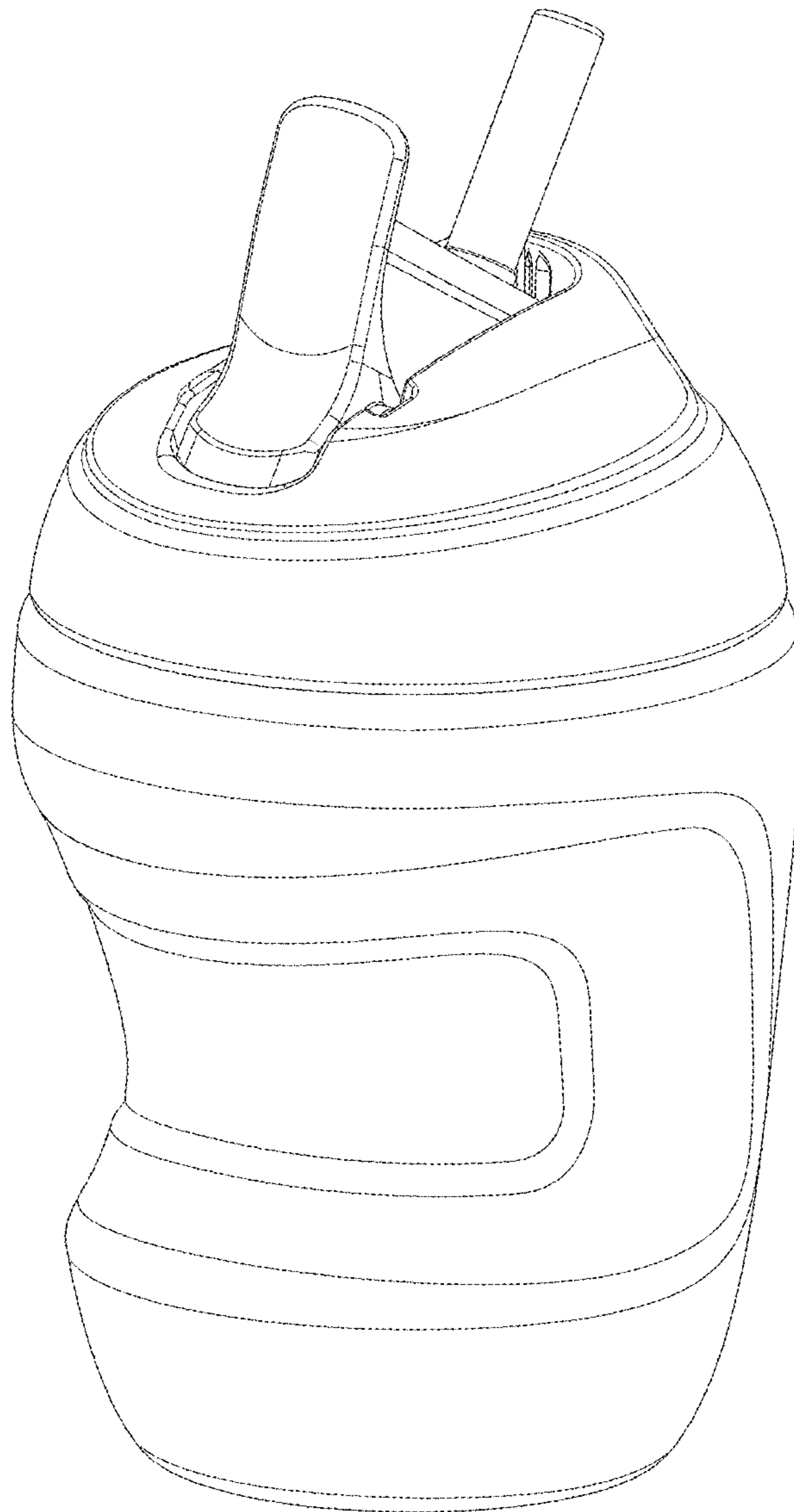


FIG. 7