



US00D786616S

(12) **United States Design Patent** (10) **Patent No.:** **US D786,616 S**
Brown (45) **Date of Patent:** **** *May 16, 2017**

(54) **BAR GUN**

(76) Inventor: **Sam Brown**, Bulverde, TX (US)

(*) Notice: This patent is subject to a terminal disclaimer.

(**) Term: **14 Years**

(21) Appl. No.: **29/426,202**

(22) Filed: **Jul. 2, 2012**

(51) **LOC (10) Cl.** **07-99**

(52) **U.S. Cl.**
USPC **D7/398**

(58) **Field of Classification Search**
USPC D7/395, 397, 398, 412, 308
CPC B67D 1/0084; B67D 1/0086
See application file for complete search history.

(56) **References Cited**

U.S. PATENT DOCUMENTS

1,627,147 A	5/1927	Clark
1,947,329 A	2/1934	Buttner
2,478,586 A	8/1949	Krapp
2,682,386 A	6/1954	Lindsay
2,887,250 A	5/1959	Zilk
2,937,792 A	5/1960	Firstenberg
3,009,653 A	11/1961	Hedeman
3,013,701 A	12/1961	Joschko
3,108,779 A	10/1963	Anderson
3,326,520 A	6/1967	Guenther
3,619,668 A	11/1971	Pinckaers
3,643,754 A	2/1972	Brandin et al.
3,867,962 A	2/1975	Gerrard
3,963,317 A	6/1976	Eignbrode et al.
4,098,295 A	7/1978	Haytayan
4,196,886 A	4/1980	Murray
4,219,046 A	8/1980	West et al.
4,390,224 A	6/1983	Showman et al.
4,433,795 A	2/1984	Maiefski et al.
4,469,389 A	9/1984	Grabbe et al.
4,497,421 A	2/1985	Schilling

4,519,635 A	5/1985	McMath
4,619,378 A	10/1986	de Man
4,635,824 A	1/1987	Gaunt et al.
4,637,527 A	1/1987	Arrigoni
4,781,309 A	11/1988	Vogel
4,821,921 A	4/1989	Cartwright et al.
4,921,140 A	5/1990	Belcham

(Continued)

FOREIGN PATENT DOCUMENTS

GB	1 300 072	12/1972
GB	2 042 354	9/1980

(Continued)

OTHER PUBLICATIONS

Wunder-Bar Food & Beverage Dispensing Systems, Post-Mix Beverage Dispenser, Automatic Bar Controls, Inc., Rev. 120508.

(Continued)

Primary Examiner — Brandon M Rosati
Assistant Examiner — Rashida C Walshon

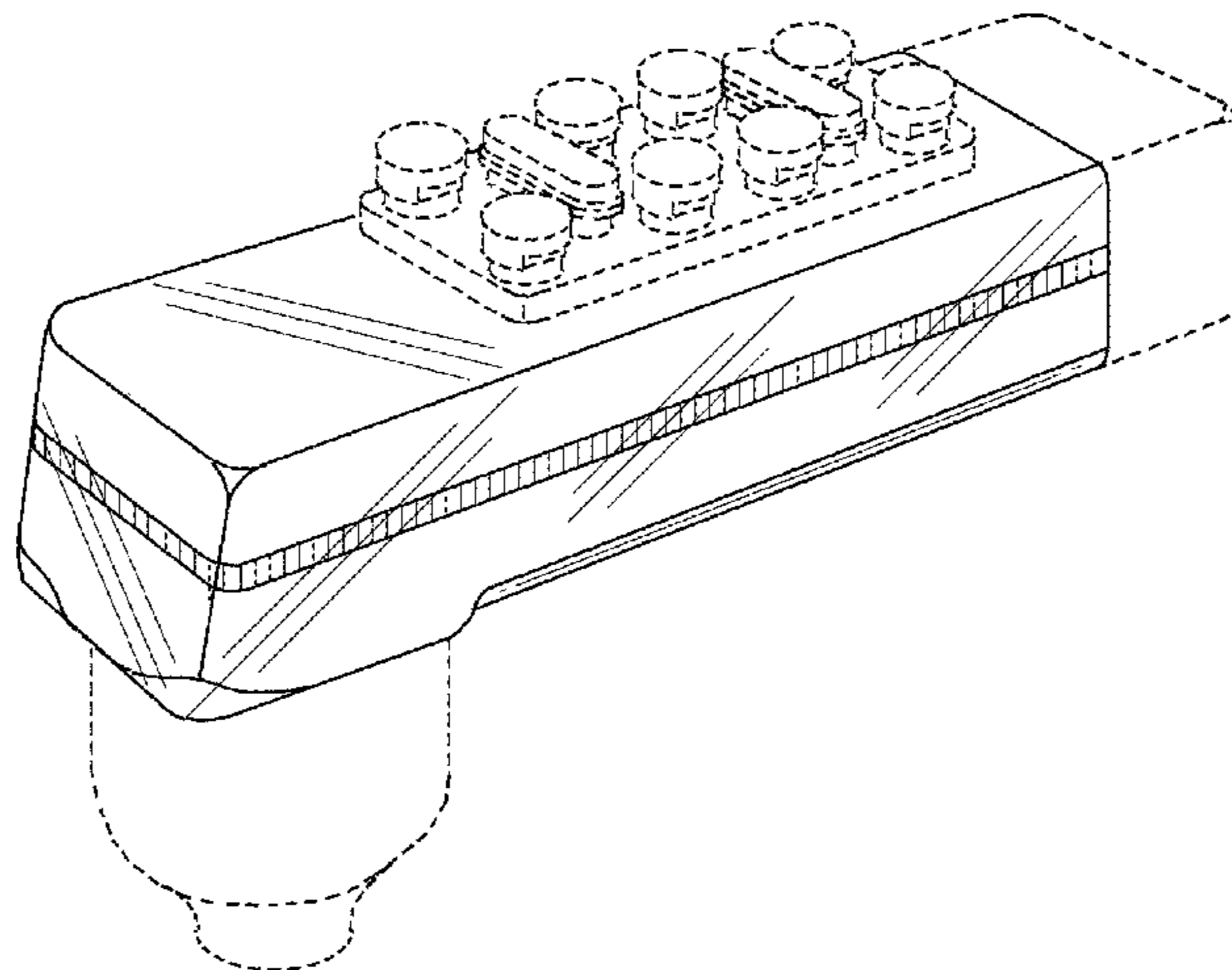
(57) **CLAIM**

The ornamental design for a bar gun, as shown and described.

DESCRIPTION

FIG. 1 is a top plan view of a bar gun showing my new design;
FIG. 2 is a left side elevational view thereof;
FIG. 3 is a bottom plan view thereof;
FIG. 4 is a right side elevational view thereof;
FIG. 5 is a front elevational view thereof;
FIG. 6 is a rear elevational view thereof; and,
FIG. 7 is a perspective view thereof.
The drawing is lined for color. The broken lines in the drawings illustrate portions of the bar tool which form no part of the claimed design.

1 Claim, 4 Drawing Sheets



(56)

References Cited

U.S. PATENT DOCUMENTS

D309,232 S 7/1990 Valiyee et al.
 4,986,449 A 1/1991 Valiyee et al.
 5,033,648 A 7/1991 Nakayama et al.
 5,042,692 A 8/1991 Valiyee et al.
 5,305,924 A 4/1994 Groover et al.
 5,524,452 A 6/1996 Hasset et al.
 5,575,405 A 11/1996 Stratton et al.
 5,649,431 A 7/1997 Schroeder et al.
 5,873,259 A 2/1999 Spillman
 6,112,946 A 9/2000 Bennett et al.
 6,196,422 B1 3/2001 Tuyls et al.
 6,260,477 B1 7/2001 Tuyls et al.
 6,269,973 B1 8/2001 Bennett et al.
 6,283,155 B1 9/2001 Vu
 6,322,051 B1 11/2001 Salmela
 6,328,181 B1 12/2001 Schroeder et al.
 6,405,897 B1 6/2002 Jepson et al.
 6,463,753 B1 10/2002 Haskayne
 6,626,005 B2 9/2003 Schroeder
 6,644,508 B2 11/2003 Haskayne
 6,672,849 B1 1/2004 Martindale et al.
 6,698,229 B2 3/2004 Renken
 6,722,527 B1 4/2004 Krauss
 6,725,687 B2 4/2004 McCann et al.
 6,761,036 B2 7/2004 Teague
 6,832,487 B1 12/2004 Baker
 6,945,070 B1 9/2005 Jablonski
 7,025,230 B1 4/2006 Salmela
 7,028,864 B2 4/2006 McCann
 7,048,148 B2 5/2006 Roekens
 7,080,937 B1 7/2006 Salmela et al.
 7,232,044 B1 6/2007 Salmela
 D549,021 S 8/2007 Tuyls et al.
 7,266,974 B2 9/2007 Schroeder
 7,305,847 B2 12/2007 Wolski
 7,337,618 B2 3/2008 Wolski
 7,337,627 B2 3/2008 Wolski
 7,373,784 B2 5/2008 Haskayne
 7,384,073 B1 6/2008 Tuyls et al.
 7,448,418 B1 11/2008 Tuyls
 7,757,498 B2 7/2010 Wolski et al.
 7,762,431 B1 7/2010 Tuyls et al.
 D626,373 S 11/2010 Valiyee et al.
 D626,374 S 11/2010 Valiyee et al.
 D626,375 S 11/2010 Valiyee et al.
 D628,014 S 11/2010 Martindale

7,931,382 B2 4/2011 Hecht
 D638,659 S 5/2011 Martindale et al.
 D643,708 S 8/2011 Hecht
 D647,785 S 11/2011 Hecht
 D648,420 S 11/2011 Hecht
 D648,421 S 11/2011 Hecht
 D648,617 S 11/2011 Hecht
 D648,826 S 11/2011 Hecht
 8,109,413 B2 * 2/2012 Schroeder et al. 222/145.5
 D666,869 S * 9/2012 Martindale et al. D7/398
 8,418,888 B2 * 4/2013 Schroeder et al. 222/145.5
 D697,753 S * 1/2014 Brown D7/398
 8,814,003 B2 * 8/2014 Santy et al. 222/144.5
 D717,590 S * 11/2014 Bond D7/398
 D717,591 S * 11/2014 Bond D7/398
 D717,592 S * 11/2014 Bond D7/398
 D717,593 S * 11/2014 Bond D7/398
 2001/0030308 A1 10/2001 Schroeder
 2003/0071060 A1 4/2003 Haskayne
 2006/0162370 A1 7/2006 Haskayne
 2008/0135426 A1 6/2008 Hecht et al.
 2008/0217357 A1 9/2008 Hecht
 2009/0078722 A1 3/2009 Salmela
 2009/0090747 A1 4/2009 Tuyls et al.
 2009/0145927 A1 6/2009 Salmela et al.
 2009/0230148 A1 9/2009 Valiyee et al.
 2010/0097881 A1 4/2010 Tuyls et al.
 2010/0116842 A1 5/2010 Hecht et al.
 2010/0147886 A1 6/2010 Martindale
 2010/0314411 A1 12/2010 Tuyls et al.
 2011/0057134 A1 3/2011 Martindale et al.
 2011/0073617 A1 3/2011 Martindale et al.
 2011/0286883 A1 11/2011 Hecht et al.
 2011/0315711 A1 12/2011 Hecht et al.

FOREIGN PATENT DOCUMENTS

WO WO 02/090241 11/2002
 WO WO 03/024862 3/2003
 WO WO 2006/088990 8/2006
 WO WO 2009/090429 7/2009

OTHER PUBLICATIONS

Wunder-Bar Food & Beverage Dispensing Systems, Post-Mix Beverage Dispenser, Automatic Bar Controls, Inc., Rev. 120508 Dec. 5, 2008.

* cited by examiner

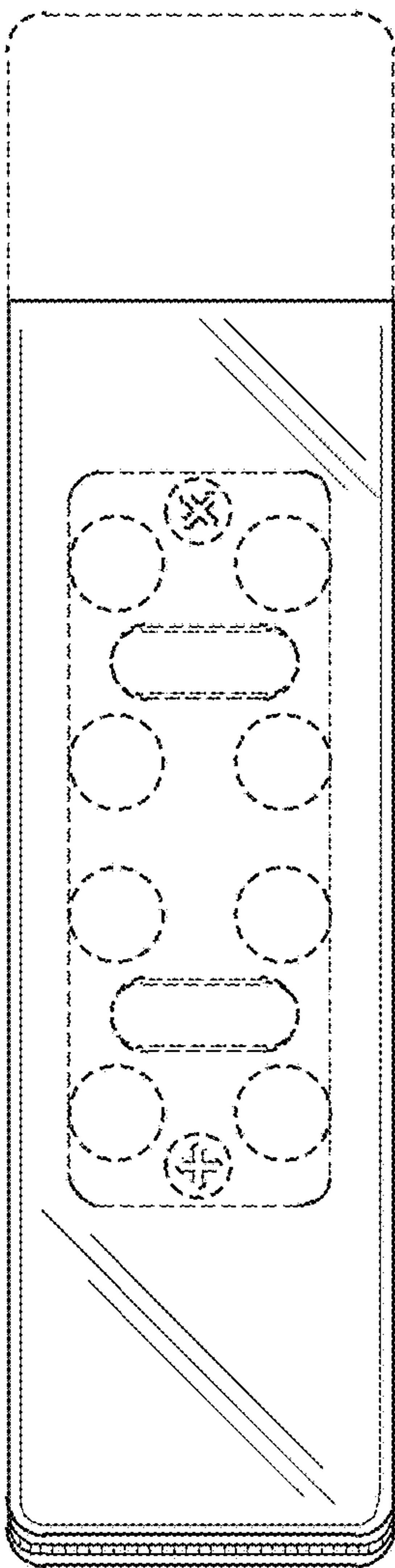


Fig. 1

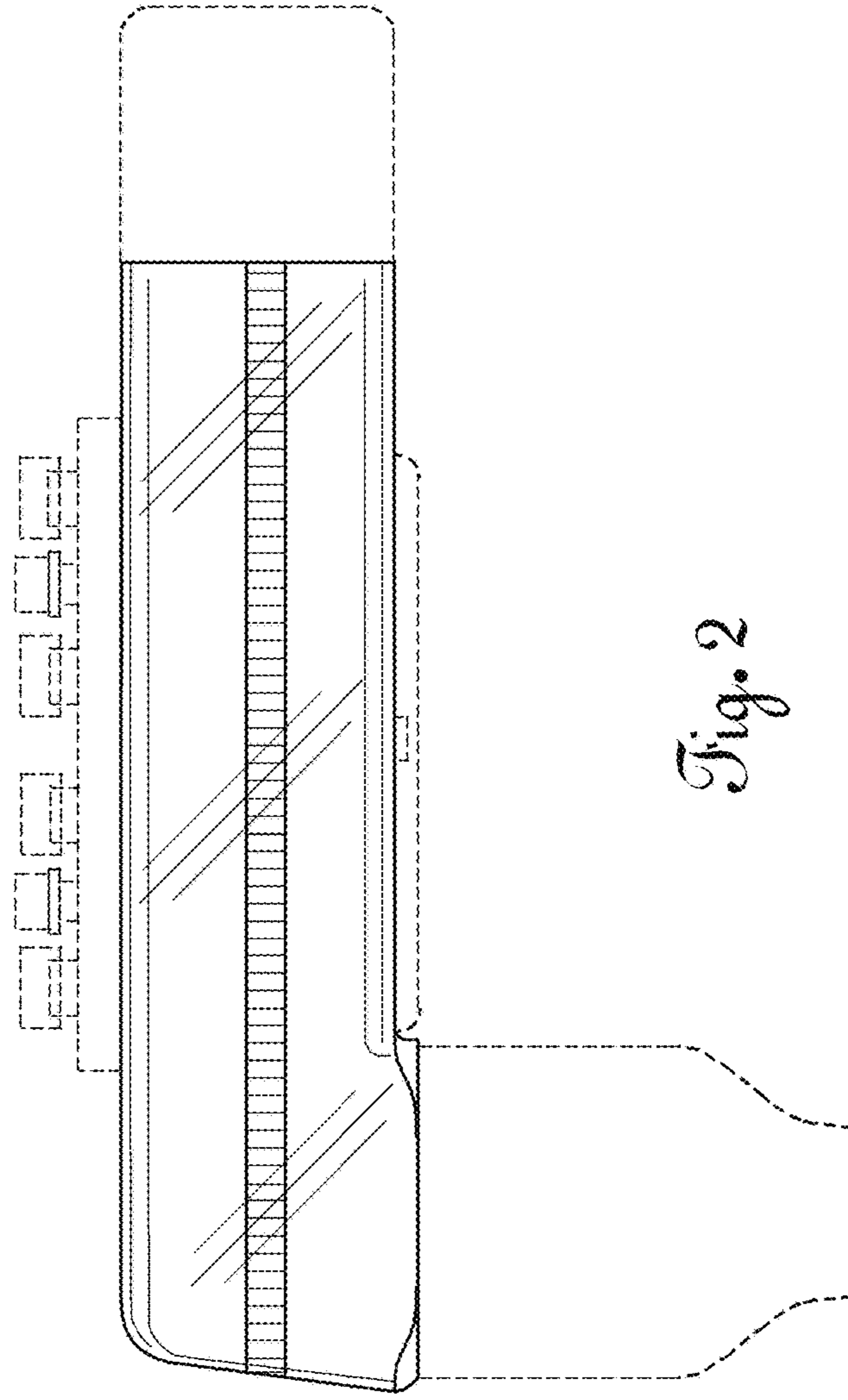


Fig. 2

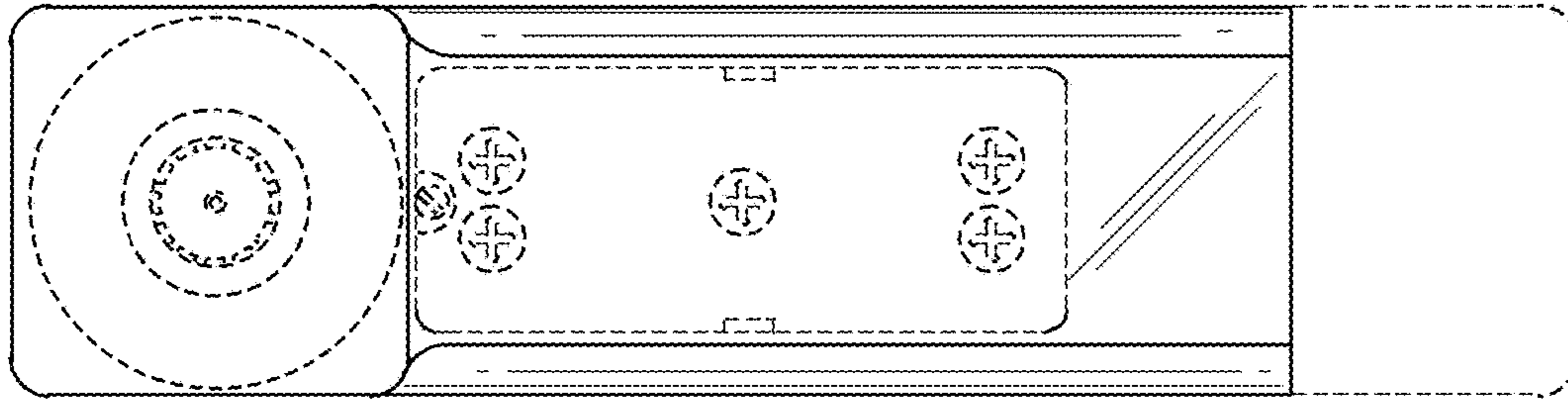


Fig. 3

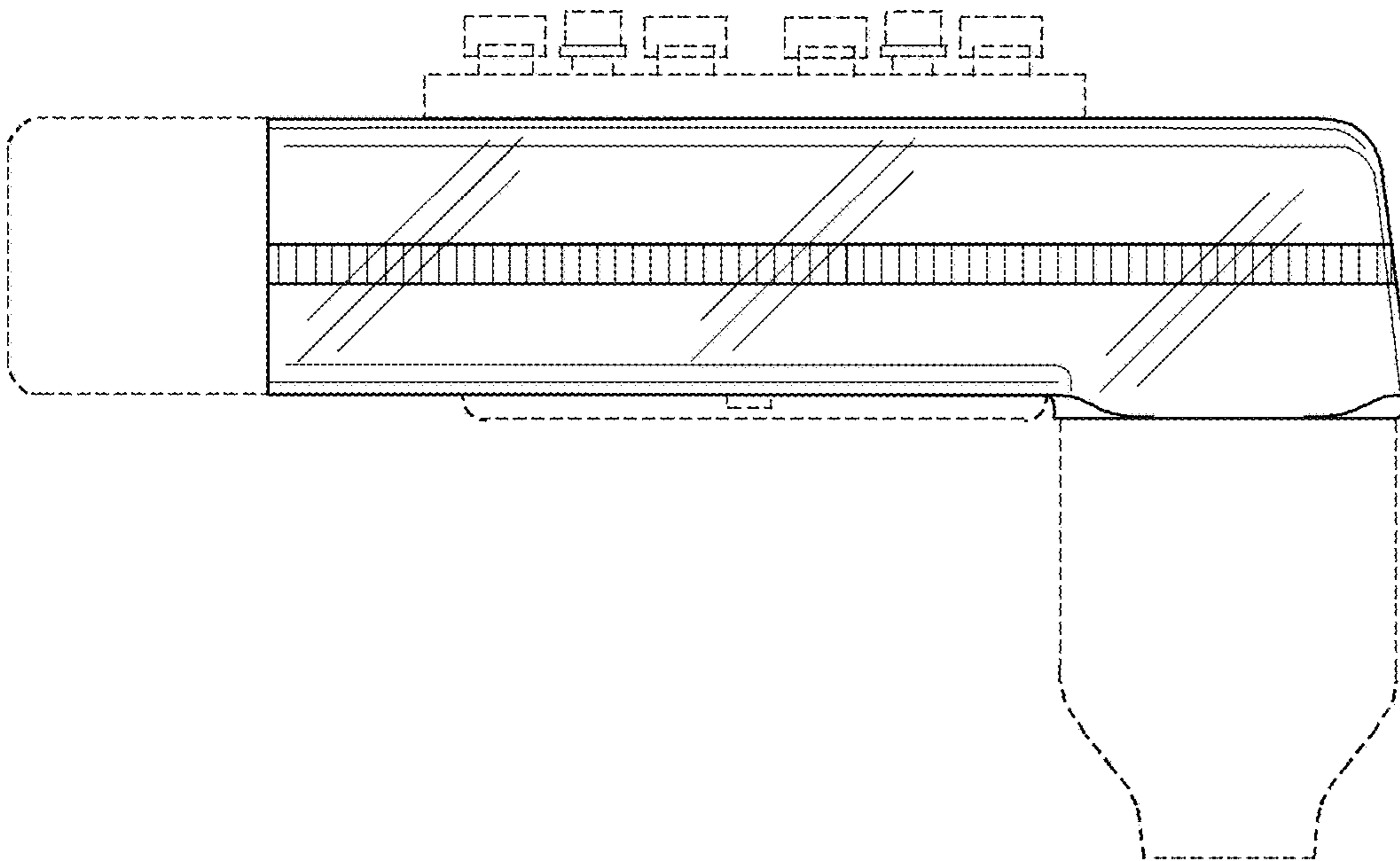


Fig. 4

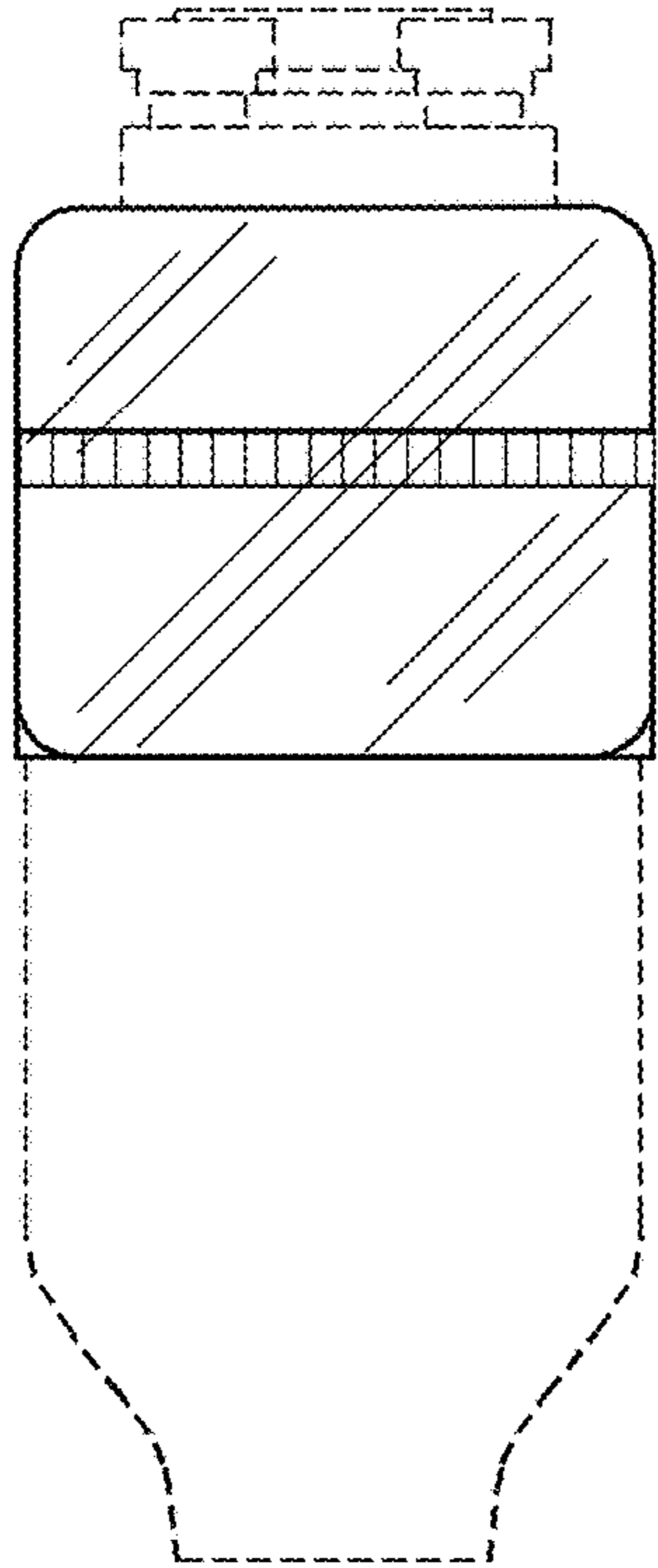


Fig. 5

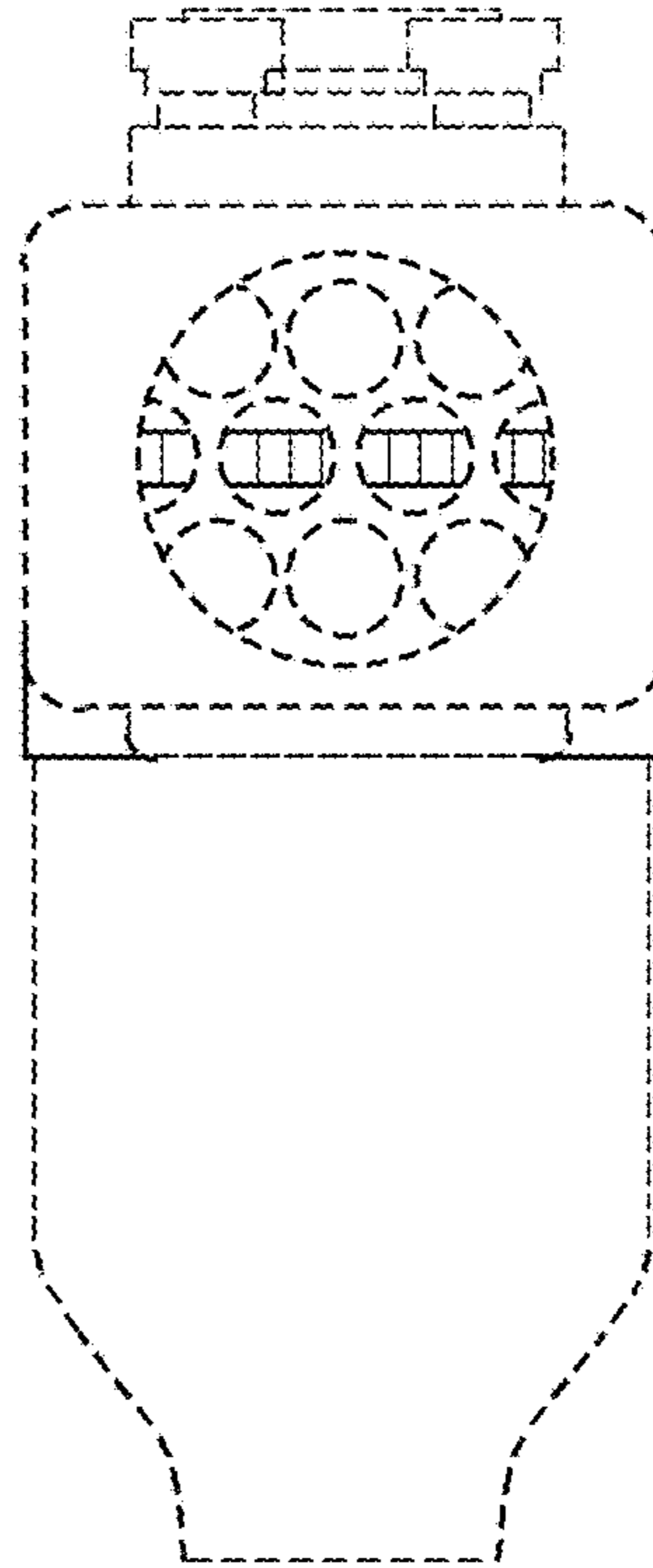


Fig. 6

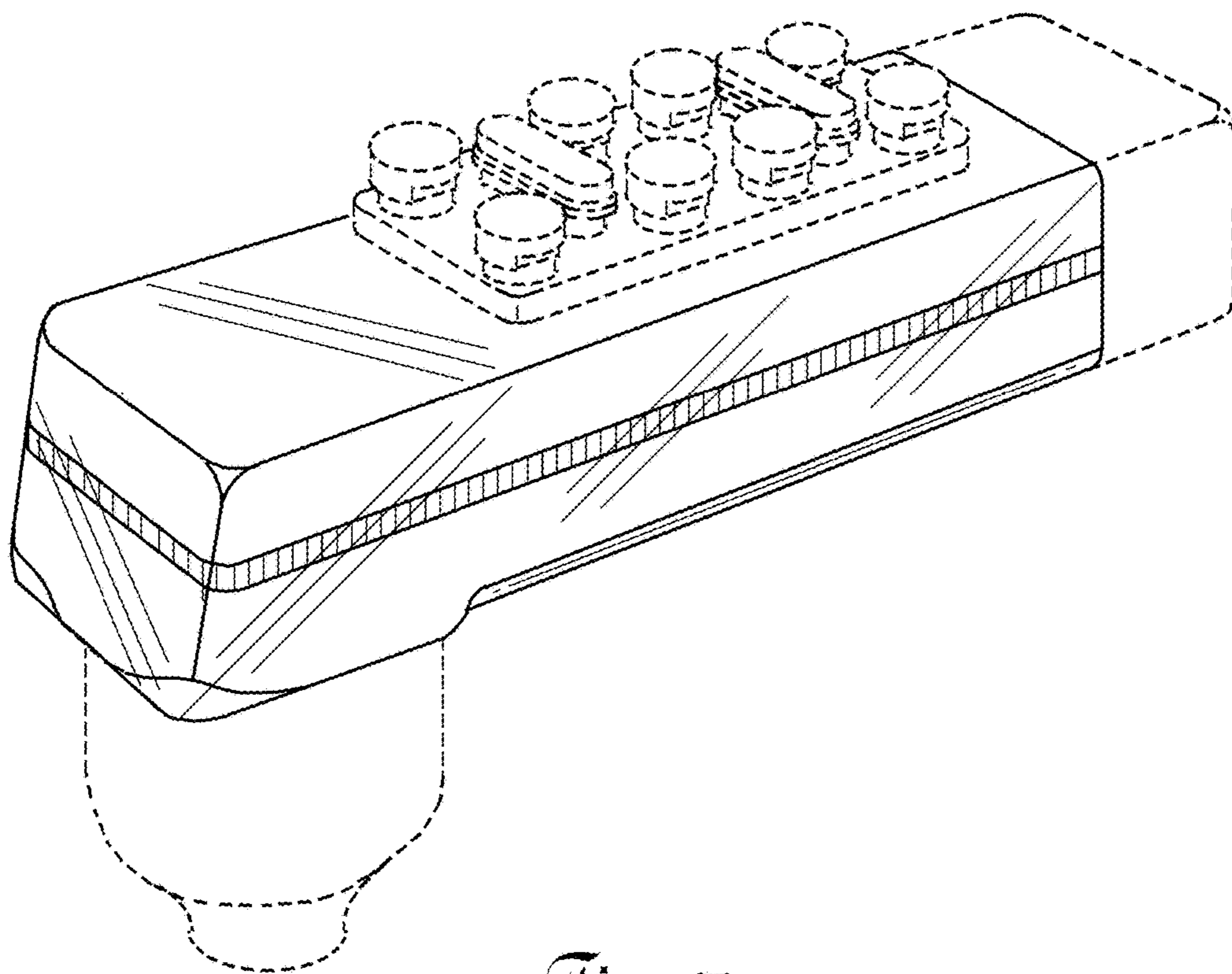


Fig. 7