



US00D786615S

(12) **United States Design Patent** (10) **Patent No.:** **US D786,615 S**
Tsai (45) **Date of Patent:** **** May 16, 2017**

- (54) **BLENDER BASE**
- (71) Applicant: **Tsann Kuen (Zhangzhou) Enterprise Co., Ltd., Fujian (CN)**
- (72) Inventor: **Menghsun Tsai, Tainan (TW)**
- (73) Assignee: **Tsann Kuen (Zhangzhou) Enterprise Co., Ltd., Fujian (CN)**
- (**) Term: **15 Years**
- (21) Appl. No.: **29/562,901**
- (22) Filed: **Apr. 29, 2016**
- (51) **LOC (10) Cl.** **31-00**
- (52) **U.S. Cl.**
USPC **D7/386; D7/376; D7/378; D7/384**
- (58) **Field of Classification Search**
USPC **D7/316, 323, 372-381, 383-384, D7/386-387, 393, 402-415, 602, 629, D7/694**
CPC .. **A21C 1/02; A21C 1/04; A47J 43/044; A47J 43/046; A47J 43/075; A47J 43/0722; A47J 43/0727; A47J 43/07; A23N 1/02**
See application file for complete search history.

- D670,532 S * 11/2012 Boozer D7/376
- D690,152 S * 9/2013 Palermo D7/376
- D730,683 S * 6/2015 Tu D7/376
- D733,488 S * 7/2015 Tu D7/376
- D765,465 S * 9/2016 Du D7/376
- D766,649 S * 9/2016 Suzuki D7/376
- D772,009 S * 11/2016 McConnell D7/376
- D773,248 S * 12/2016 Barquin D7/376
- 2003/0213373 A1* 11/2003 Dickson, Jr. A47J 43/0716
99/348
- 2012/0027902 A1* 2/2012 Audette A47J 43/0777
426/518
- 2015/0305564 A1* 10/2015 Jimenez A47J 43/046
366/141
- 2016/0331182 A1* 11/2016 Golino B02C 25/00

FOREIGN PATENT DOCUMENTS

- CA 2942683 A1 * 9/2015 A47J 43/046
- WO WO 2015138961 A1 * 9/2015 A47J 43/046

* cited by examiner

Primary Examiner — Caron D Veynar
Assistant Examiner — Mehri Bajoul
(74) *Attorney, Agent, or Firm* — Wang Law Firm, Inc.

(57) **CLAIM**

The ornamental design for a blender base, as shown and described.

DESCRIPTION

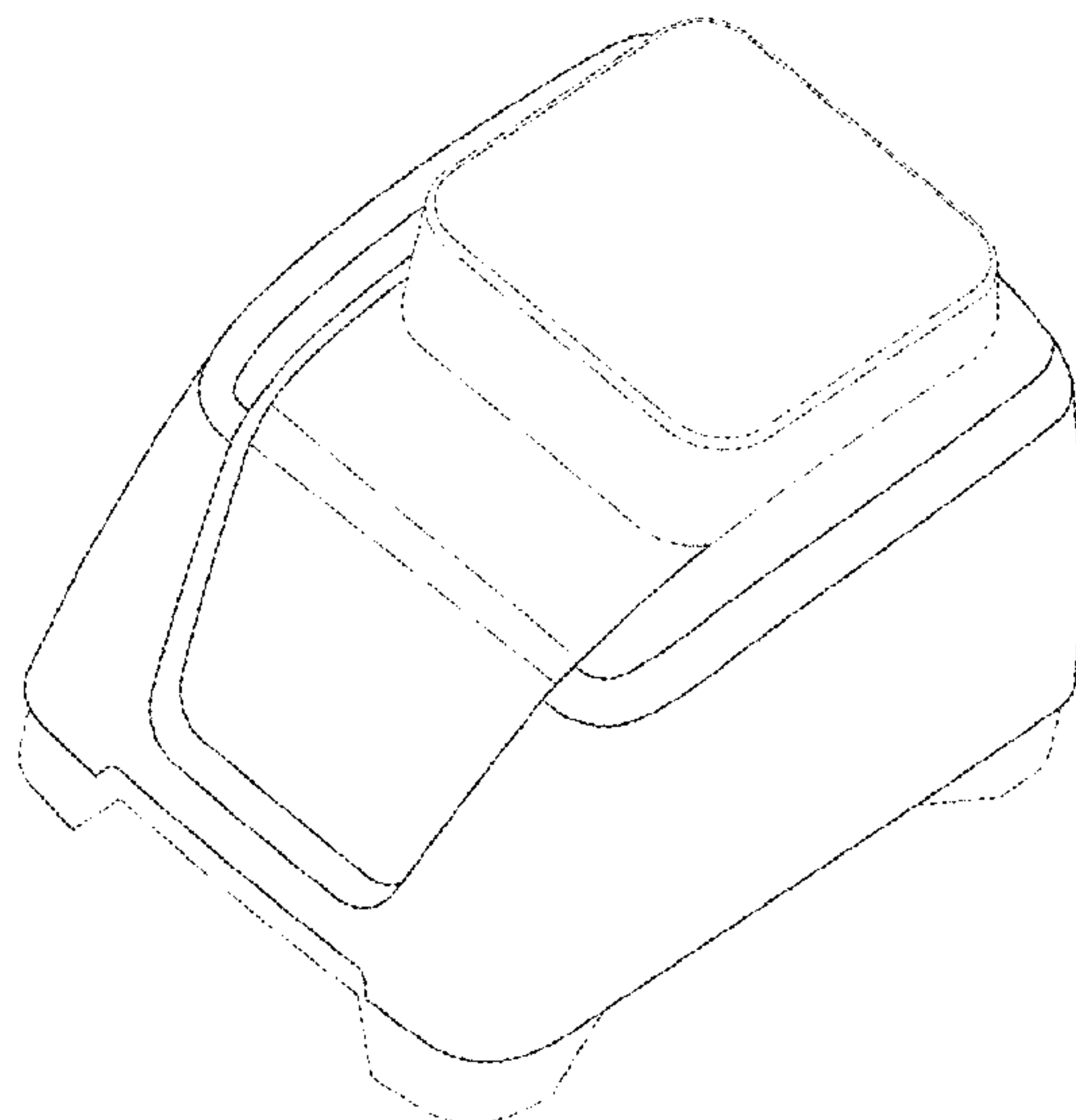
FIG. 1 is a front view of a blender base showing my new design;
FIG. 2 is a rear view thereof;
FIG. 3 is a left side view thereof;
FIG. 4 is a right side view thereof;
FIG. 5 is a top plan view thereof;
FIG. 6 is a bottom plan view thereof; and,
FIG. 7 is a perspective view thereof.
The broken lines showing in Figures are for illustrative purposes only and form no part of the claimed design.

1 Claim, 7 Drawing Sheets

(56) **References Cited**

U.S. PATENT DOCUMENTS

- 4,250,771 A * 2/1981 Berler A47J 43/07
241/282.1
- D552,419 S * 10/2007 Picozza D7/412
- D616,244 S * 5/2010 Thai D7/378
- D625,141 S * 10/2010 Moore D7/376
- D625,142 S * 10/2010 Moore D7/376
- D625,143 S * 10/2010 Moore D7/376
- D638,256 S * 5/2011 Wu D7/376
- D642,857 S * 8/2011 Bodum D7/376
- D647,357 S * 10/2011 Audette D7/376
- D660,642 S * 5/2012 Boozer D7/376
- D660,643 S * 5/2012 Boozer D7/376
- D668,100 S * 10/2012 Palermo D7/376



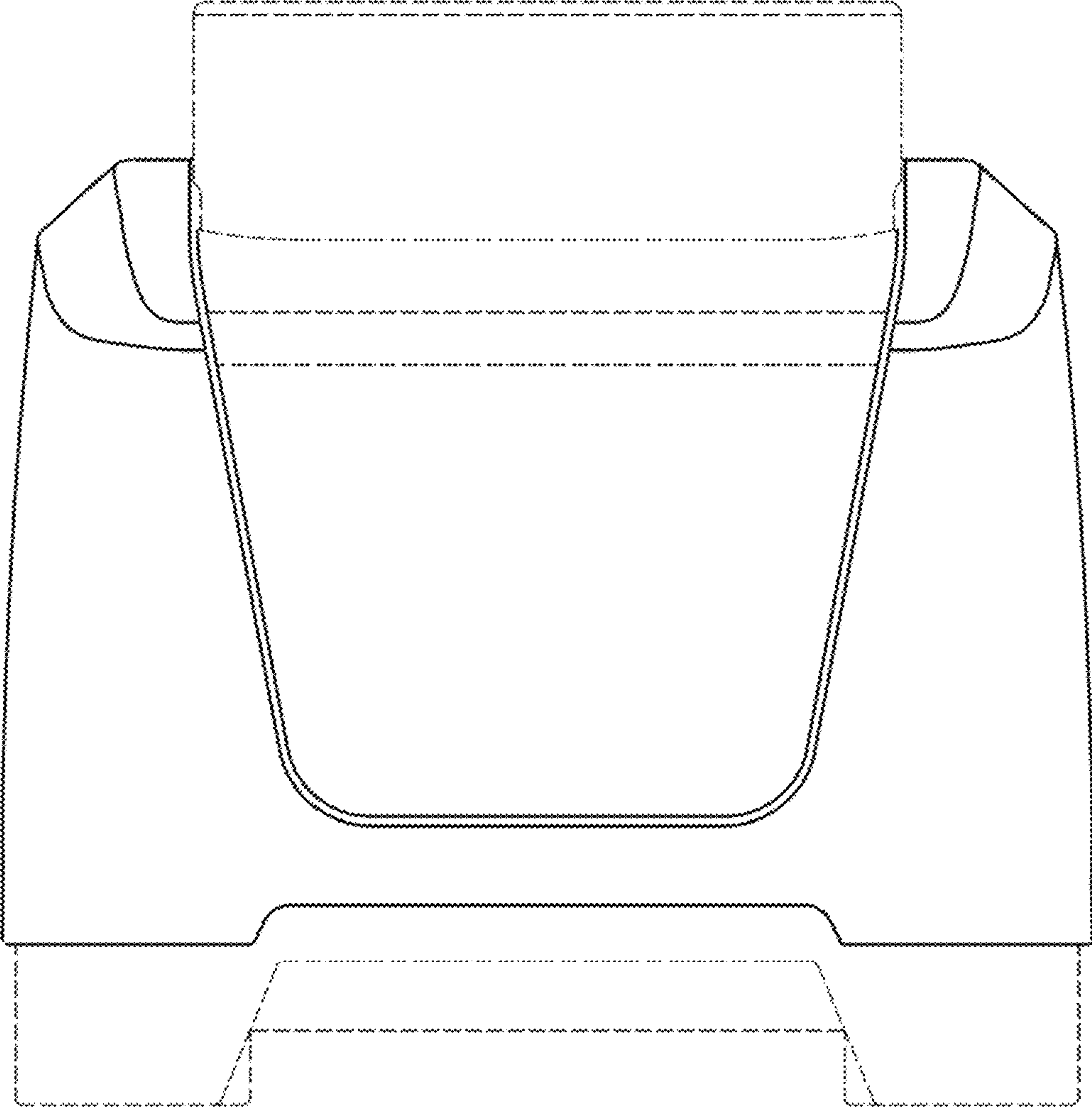


FIG. 1

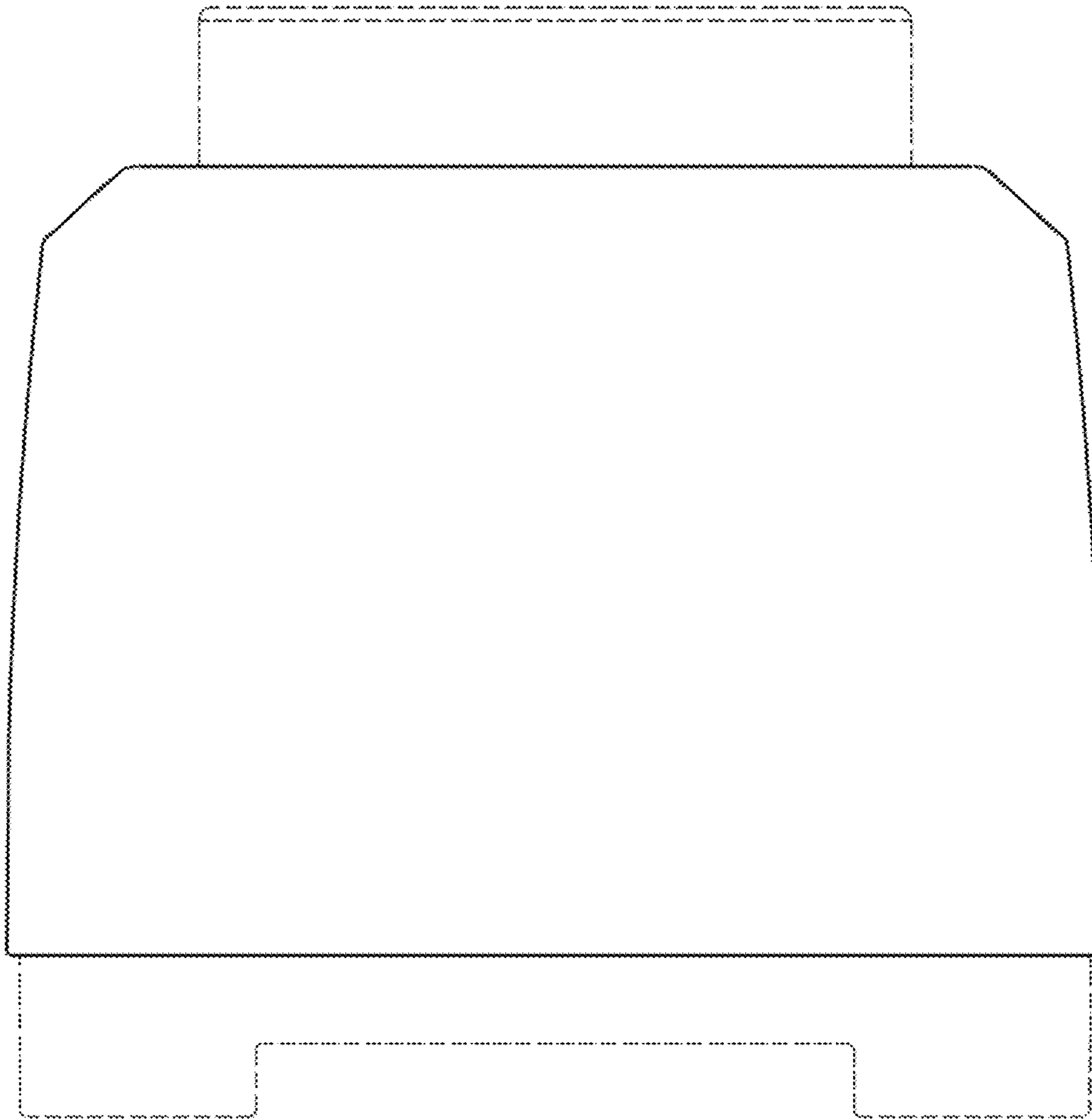


FIG. 2

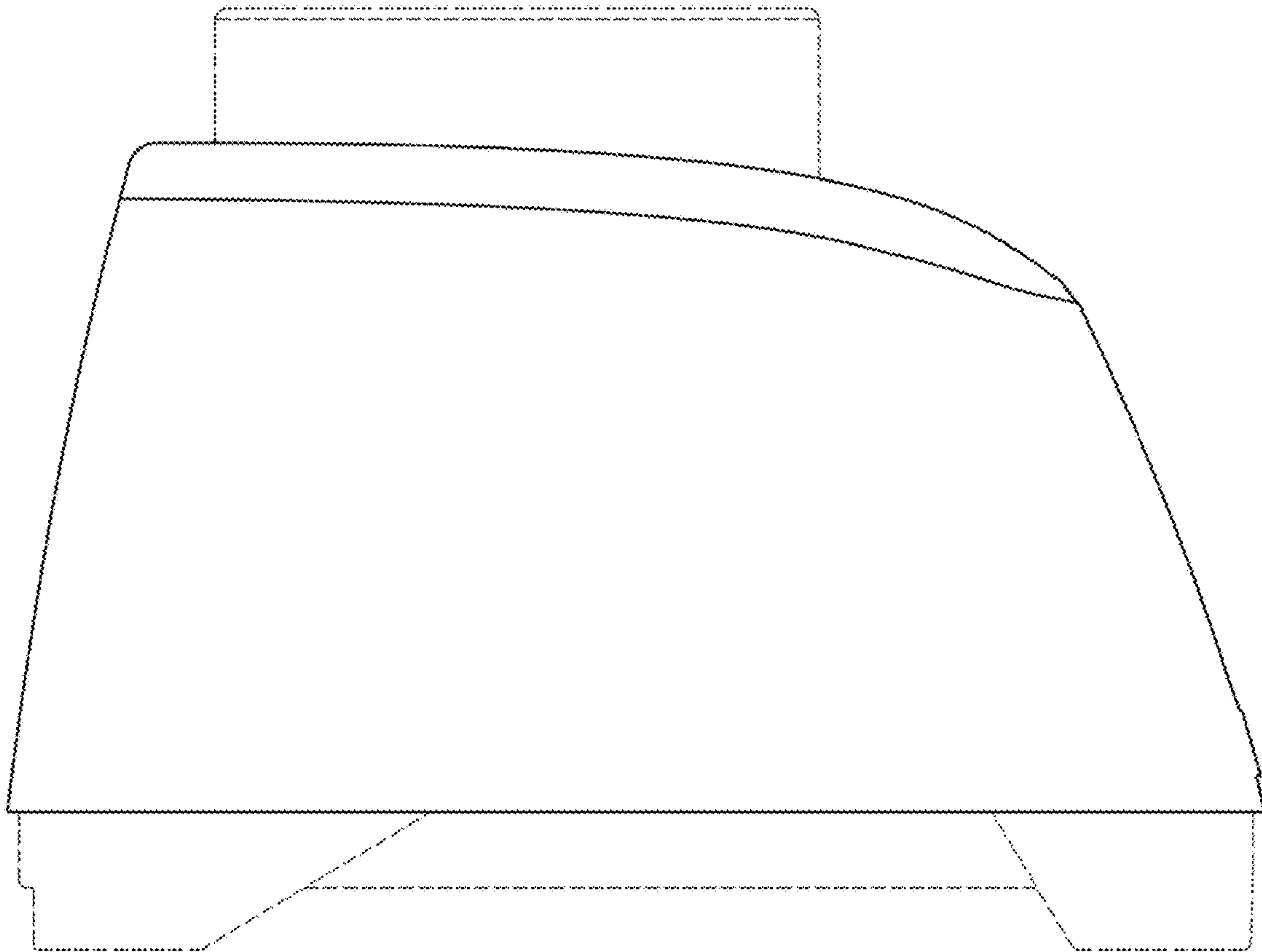


FIG. 3

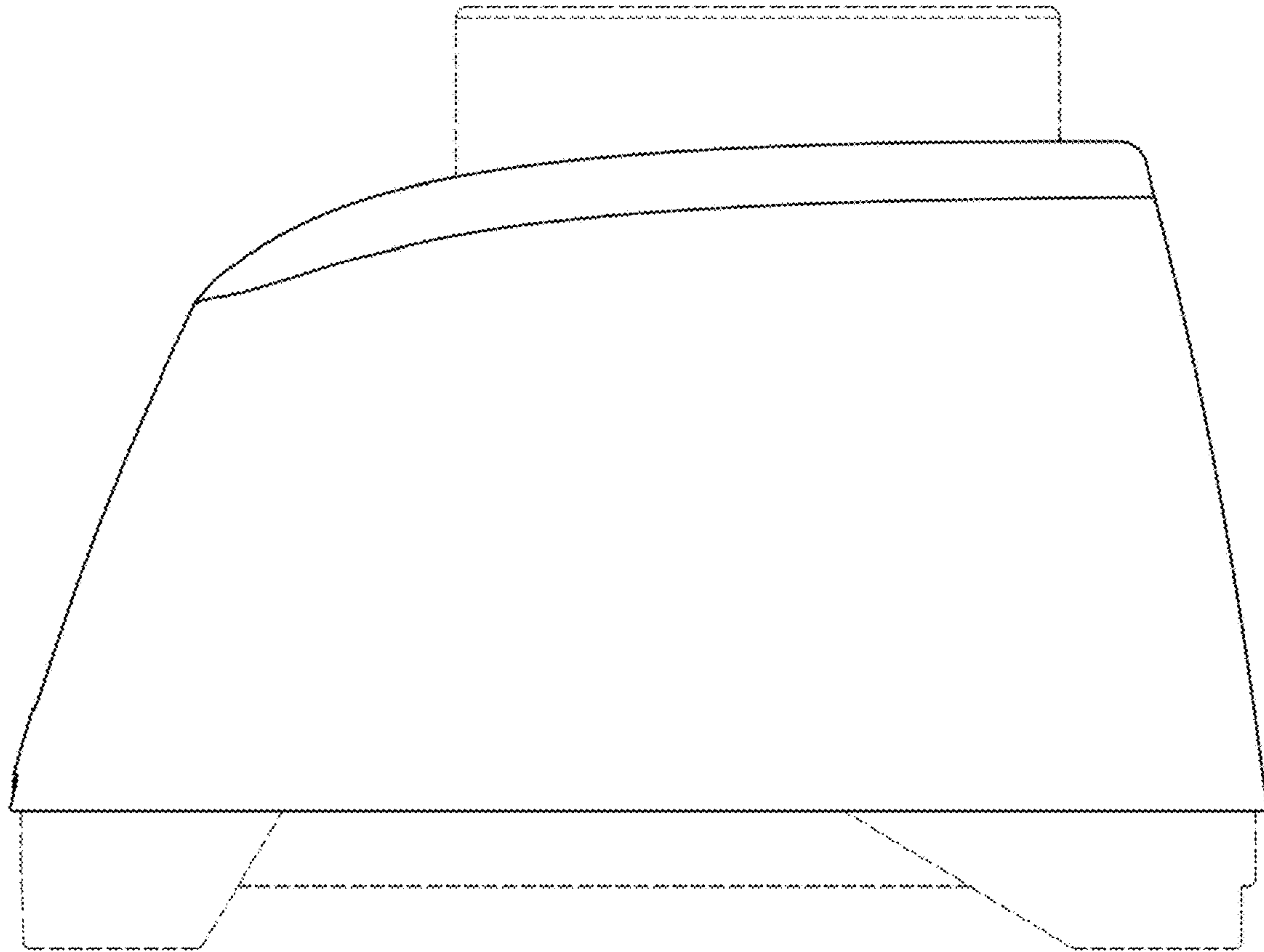


FIG. 4

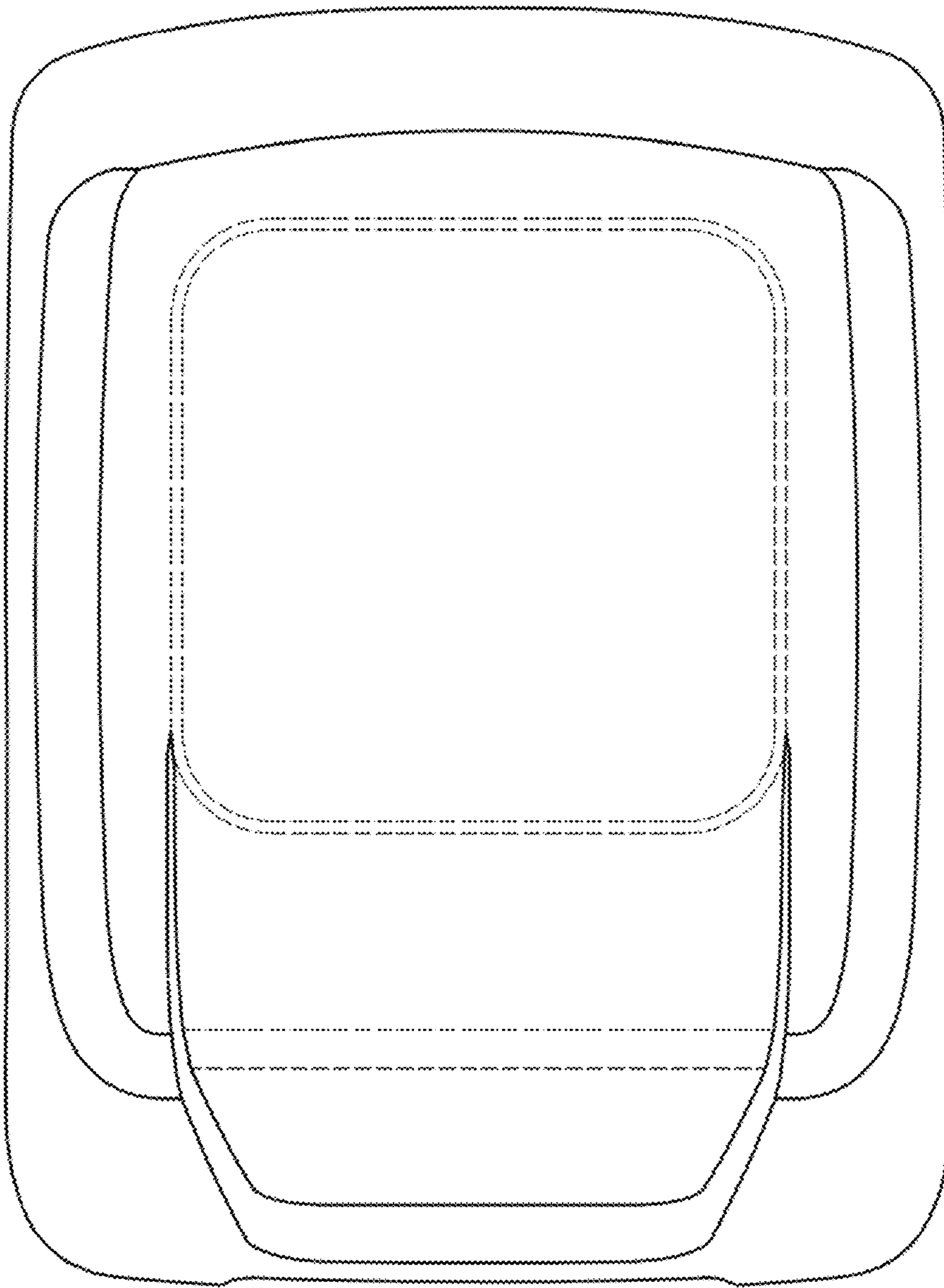


FIG. 5

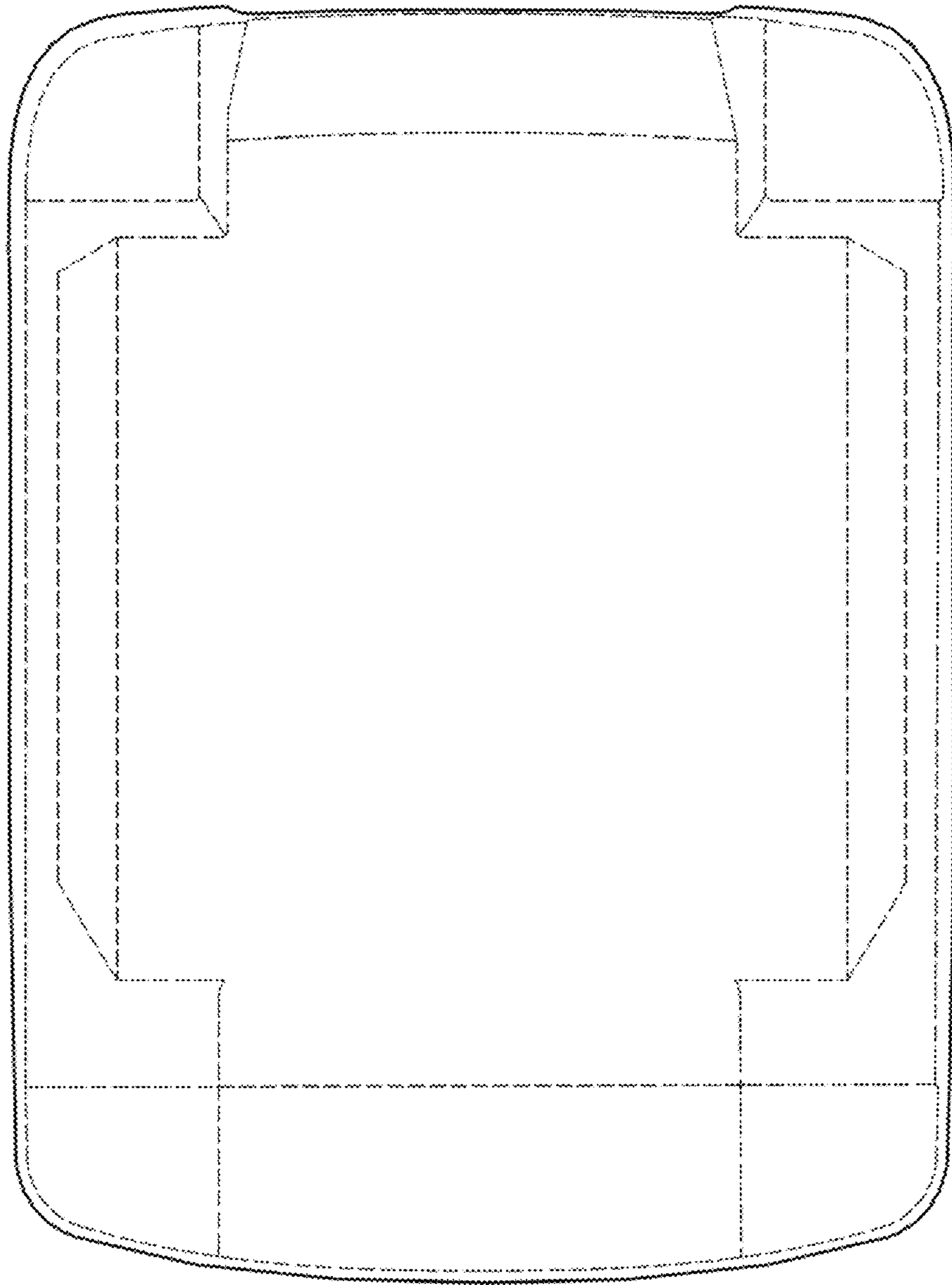


FIG. 6



FIG. 7