



US00D786614S

(12) **United States Design Patent** (10) **Patent No.:** **US D786,614 S**
Smith et al. (45) **Date of Patent:** **** May 16, 2017**

(54) **BLENDER**
(71) Applicant: **SHARKNINJA OPERATING LLC**,
Newton, MA (US)
(72) Inventors: **Cory R. Smith**, Aburndale, MA (US);
Joyce Tu, Arlington, MA (US)
(73) Assignee: **SHARKNINJA OPERATING, LLC**,
Newton, MA (US)
(**) Term: **15 Years**

D404,607 S * 1/1999 Huang D7/378
D450,978 S * 11/2001 Smith D7/378
D526,531 S 8/2006 Drees et al.
D533,395 S 12/2006 Drees et al.
D552,412 S 10/2007 Steiner
D552,419 S 10/2007 Picozza et al.
D567,578 S * 4/2008 Chiappetta D7/376
D577,537 S * 9/2008 Lee D7/378
D587,961 S 3/2009 Lavy
7,581,688 B2 * 9/2009 Mally A47J 43/042
241/30
D605,462 S * 12/2009 Picozza D7/378
D611,760 S * 3/2010 Ball D7/378

(Continued)

(21) Appl. No.: **29/527,670**

FOREIGN PATENT DOCUMENTS

(22) Filed: **May 21, 2015**

EM 0013887970002 11/2013

Related U.S. Application Data

(63) Continuation of application No. 29/519,682, filed on
Mar. 6, 2015.

(51) **LOC (10) Cl.** **31-00**

(52) **U.S. Cl.**
USPC **D7/386**; D7/376; D7/378

(58) **Field of Classification Search**
USPC D7/372, 376-386, 412-413, 602, 629,
D7/665-666, 669, 679, 693-694

CPC A21C 1/02; A21C 1/04; A23N 1/00; A23N
1/02; A47J 43/04; A47J 43/25; A47J
43/27; A47J 43/042; A47J 43/044; A47J
43/046; A47J 43/075; A47J 43/0722;
A47J 43/0727; B01F 3/00; B01F 3/0807;
B01F 3/0853; B01F 13/0059; B01F
13/0064; B02C 1/08; B02C 2/04; B02C
4/42; B02C 4/142; B02C 4/143; B02C
4/423; B02C 13/1835; B28C 5/10; B28C
5/12; B28C 5/14; B28C 5/16

See application file for complete search history.

(56) **References Cited**

U.S. PATENT DOCUMENTS

D242,208 S 11/1976 Madl et al.
D404,606 S * 1/1999 Huang D7/378

OTHER PUBLICATIONS

Design No. 28449; Soviet Design Gazette; vol. 3; Published: Sep.
15, 1990; pp. 180-181.

(Continued)

Primary Examiner — Ricky Pham

(74) *Attorney, Agent, or Firm* — Cantor Colburn LLP

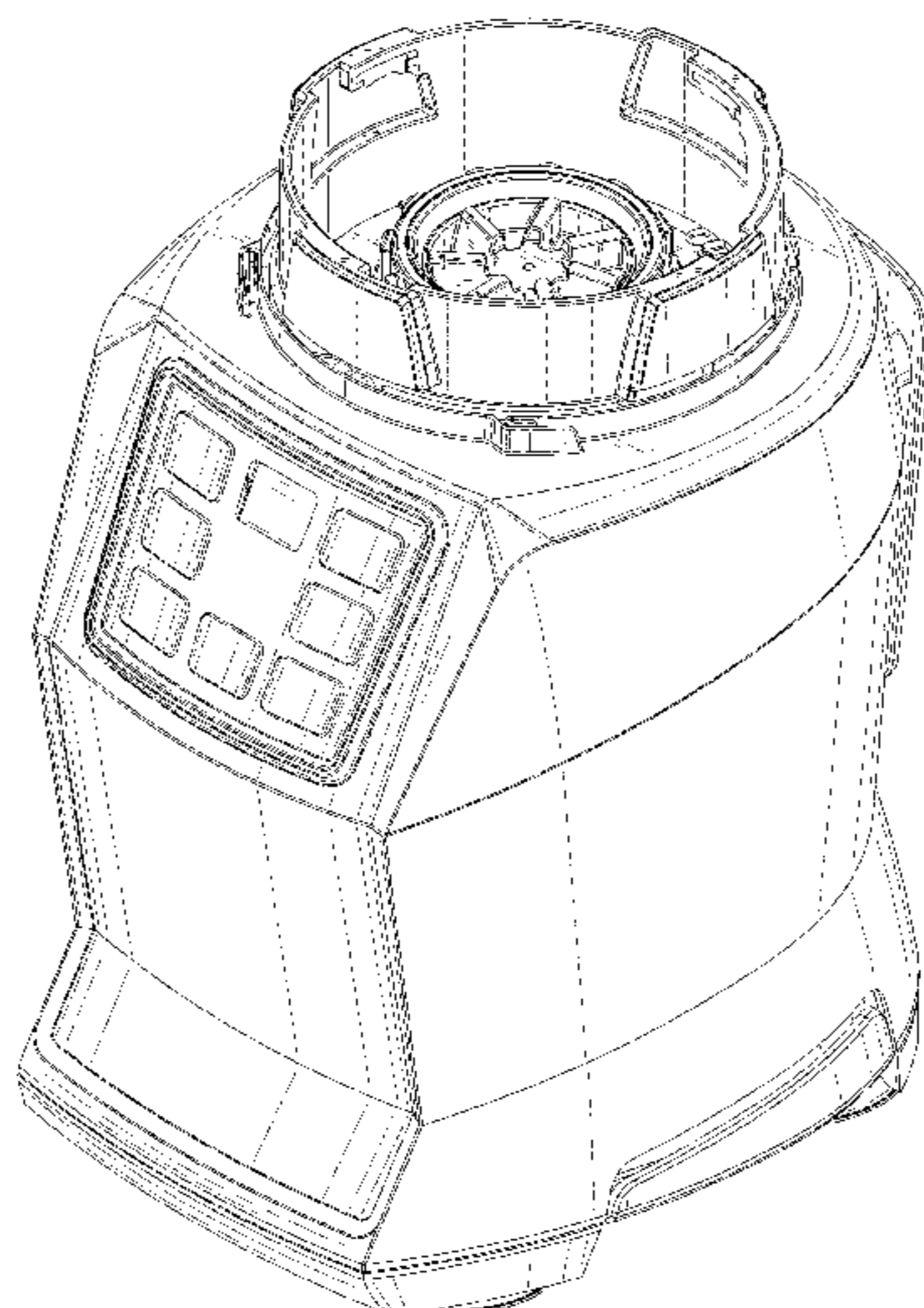
(57) **CLAIM**

The ornamental design for a blender, as shown and
described.

DESCRIPTION

FIG. 1 is a perspective view of an embodiment of a blender;
FIG. 2 is a front elevational view thereof;
FIG. 3 is a rear elevational view thereof;
FIG. 4 is a left side elevational view thereof;
FIG. 5 is a right side elevational view thereof;
FIG. 6 is a top plan view thereof; and,
FIG. 7 is a bottom plan view thereof.

1 Claim, 7 Drawing Sheets



(56)

References Cited

OTHER PUBLICATIONS

U.S. PATENT DOCUMENTS

D617,136 S 6/2010 Bock et al.
 D617,145 S 6/2010 Picozza et al.
 D625,141 S * 10/2010 Moore D7/376
 D637,870 S 5/2011 Bock
 D642,857 S * 8/2011 Bodum D7/376
 D644,480 S 9/2011 Czach et al.
 D645,301 S * 9/2011 Tse D7/376
 D647,357 S * 10/2011 Audette D7/376
 D647,367 S * 10/2011 Audette D7/376
 D647,368 S 10/2011 Audette et al.
 D654,305 S 2/2012 Gursel et al.
 D655,981 S 3/2012 Gursel et al.
 D658,430 S * 5/2012 Hoare D7/376
 D660,642 S * 5/2012 Boozer D7/376
 D667,259 S * 9/2012 Lee D7/376
 D667,260 S * 9/2012 Lee D7/376
 D667,261 S * 9/2012 Lee D7/376
 D668,100 S * 10/2012 Palermo D7/376
 D674,235 S 1/2013 Lee et al.
 D677,976 S * 3/2013 Palermo D7/376
 D690,152 S * 9/2013 Palermo D7/376
 D694,573 S 12/2013 Norland et al.
 D694,574 S 12/2013 Norland et al.
 D694,582 S 12/2013 Norland
 D694,583 S 12/2013 Norland
 D695,060 S * 12/2013 Penaherrera D7/376
 D696,063 S * 12/2013 Coakley D7/376
 D702,078 S * 4/2014 Coakley D7/376
 D704,502 S * 5/2014 Coakley D7/376
 D711,688 S * 8/2014 Prats D7/378
 D730,681 S * 6/2015 Smith D7/376
 D730,682 S * 6/2015 Tu D7/376
 D730,683 S * 6/2015 Tu D7/376
 D731,850 S * 6/2015 Smith D7/376
 D733,488 S * 7/2015 Tu D7/376
 D745,317 S 12/2015 Dichraff et al.
 D755,003 S 5/2016 Palermo et al.
 D765,462 S 9/2016 Davies
 D765,465 S * 9/2016 Du D7/376
 D766,649 S * 9/2016 Suzuki D7/376
 D771,999 S * 11/2016 Kettavong D7/376
 D773,248 S * 12/2016 Barquin D7/376
 2008/0089170 A1 4/2008 Larsen et al.
 2008/0089171 A1 * 4/2008 Larsen A47J 43/046
 366/206
 2009/0129200 A1 * 5/2009 Breviere A47J 43/0716
 366/205
 2010/0246319 A1 9/2010 Pryor, Jr. et al.

Japanese Design No. D1491535 (S); Publication Date: Mar. 3, 2014; Machine Translation; 9 Pages.
 Japanese Design No. D1491536 (S); Publication Date: Mar. 3, 2014; Machine Translation; 9 Pages.
 Japanese Design No. D1518840 (S); Publication Date: Mar. 9, 2015; Machine Translation; 10 Pages.
 Japanese Design No. D1523840 (S); Publication Date: May 18, 2015; Machine Translation; 9 Pages.
 Japanese Design No. D1528172 (S); Publication Date: Jul. 6, 2015; Machine Translation; 9 Pages.
 Japanese Design No. D1533047 (S); Publication Date: Sep. 7, 2015; Machine Translation; 9 Pages.
 Notice of References; Japanese Design Application No. 2015-19809; Mailing Date: Jan. 8, 2016; 2 Pages.
 Notice of References; Japanese Design Application No. 2015-19810; Mailing Date: Jan. 8, 2016; 2 Pages.
 Notice of References; Japanese Design Application No. 2015-19811; Mailing Date: Jan. 8, 2016; 2 Pages.
 Notice of References; Japanese Design Application No. 2015-19812; Mailing Date: Jan. 8, 2016; 2 Pages.
 Notice of References; Japanese Design Application No. 2015-19813; Mailing Date: Jan. 8, 2016; 2 Pages.
 Notice of References; Japanese Design Application No. 2015-19814; Mailing Date: Jan. 8, 2016; 2 Pages.
 Notice of References; Japanese Design Application No. 2015-19815; Mailing Date: Jan. 8, 2016; 2 Pages.
 Notice of References; Japanese Design Application No. 2015-19816; Mailing Date: Jan. 8, 2016; 2 Pages.
 Notice of References; Japanese Design Application No. 2015-19817; Mailing Date: Jan. 8, 2016; 2 Pages.
 Requirement for Restriction/Election; Blender; U.S. Appl. No. 29/519,682; Filing Date: Mar. 6, 2015; 6 Pages.
 Requirement for Restriction/Election; Blender; U.S. Appl. No. 29/531,840; Filing Date: Jun. 30, 2015; 7 Pages.
 Walmart; "Oster 600-Watt Fusion Blender, BRLY07-B00-000"; URL: <http://www.walmart.com/ip/Oster-600-Watt-Fusion-Blender/9604653>; URL Accessed: Jul. 29, 2016; 8 Pages.
 Notice of Allowance; Blender Base; U.S. Appl. No. 29/531,840, filed Jun. 30, 2015; Notification Date: Nov. 25, 2016; 11 Pages.

* cited by examiner

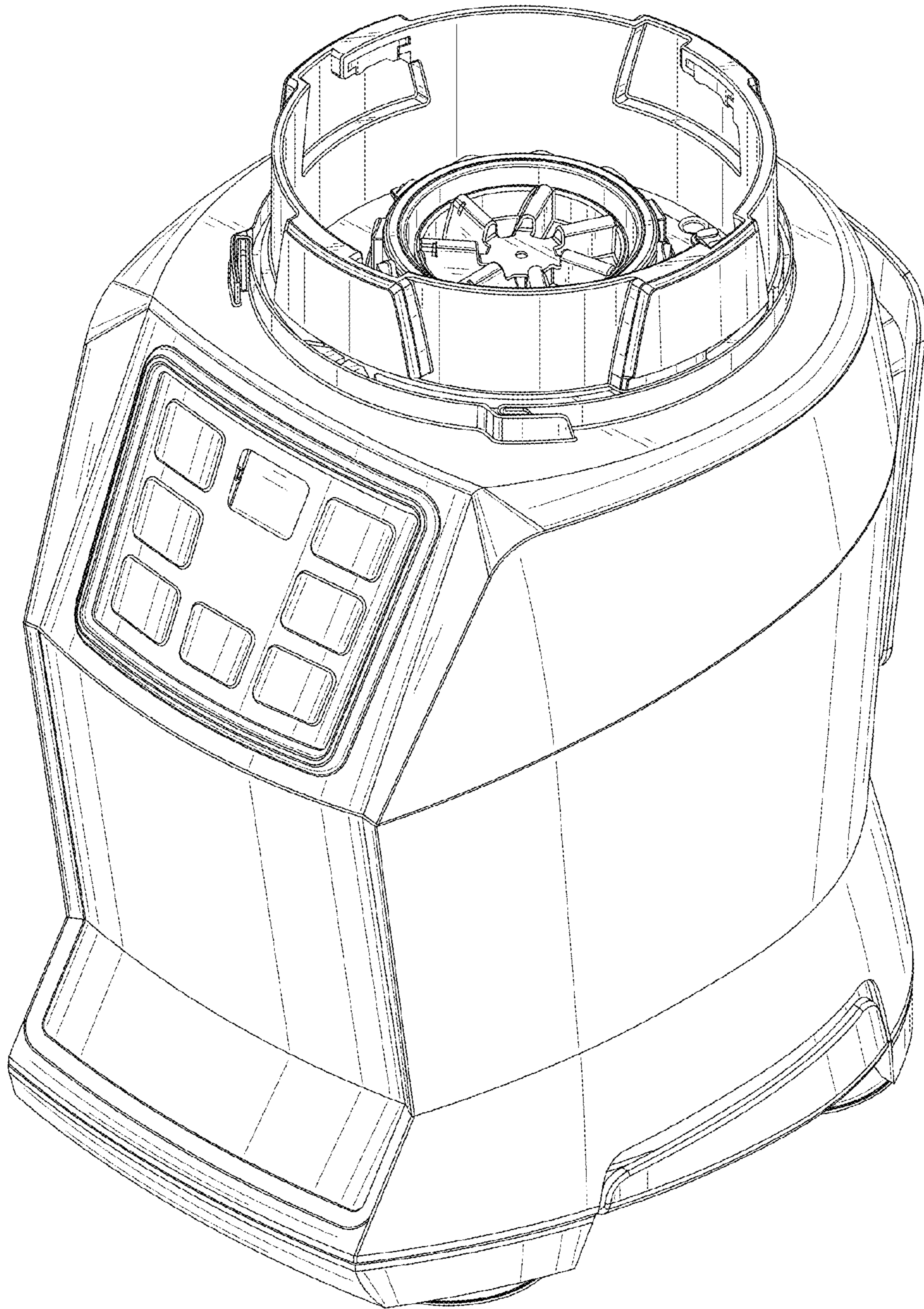


FIG. 1

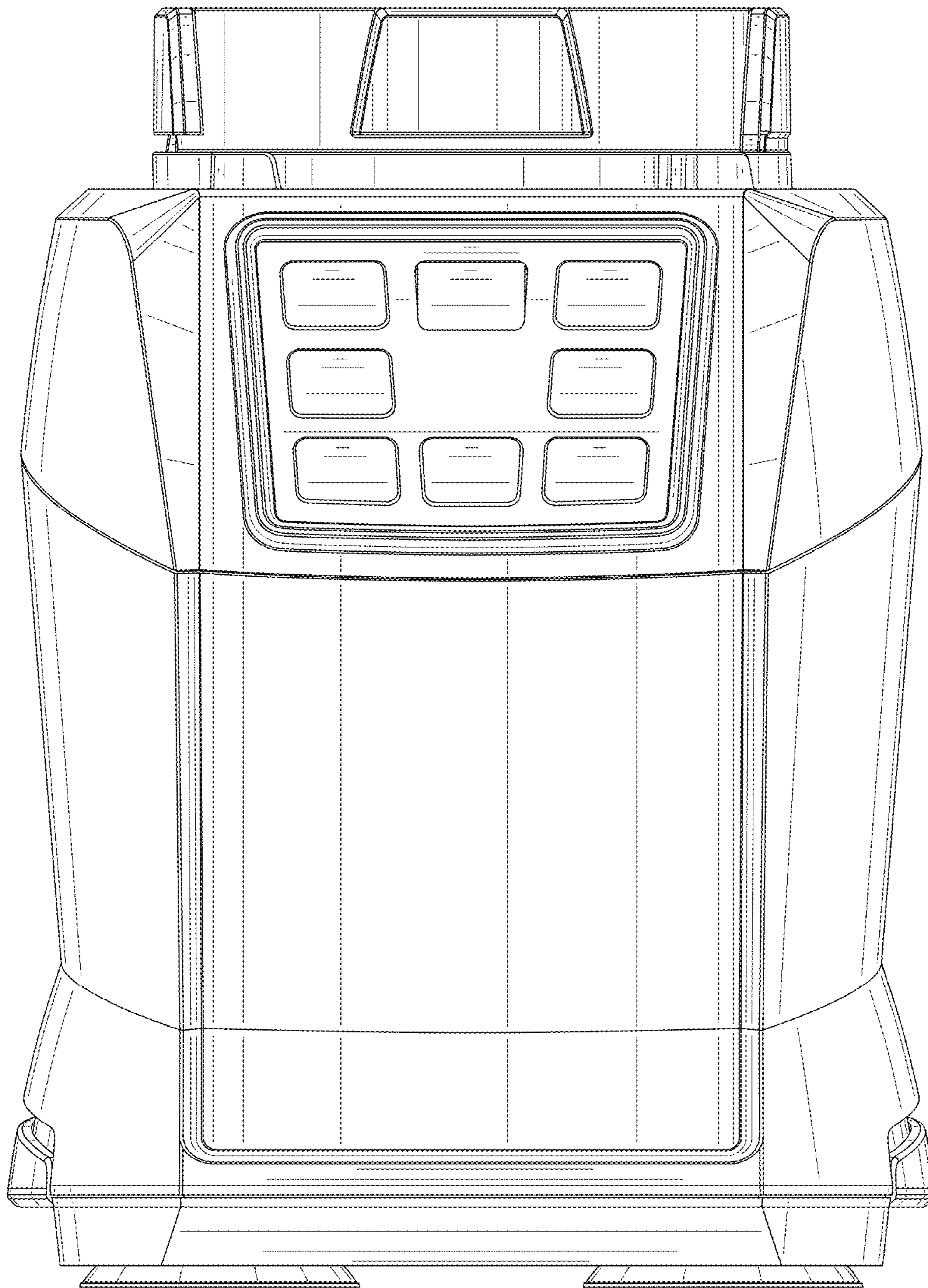


FIG. 2

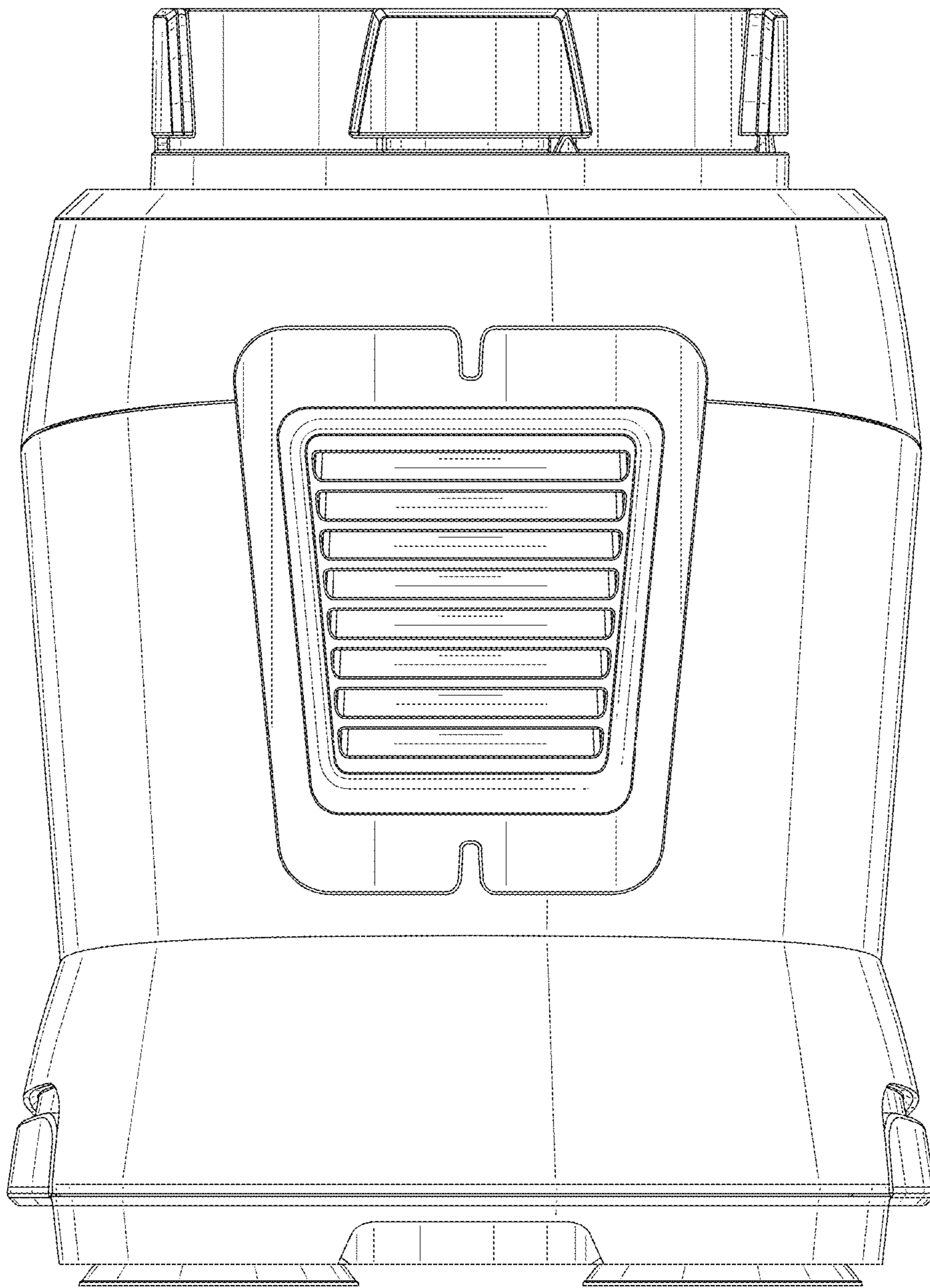


FIG. 3

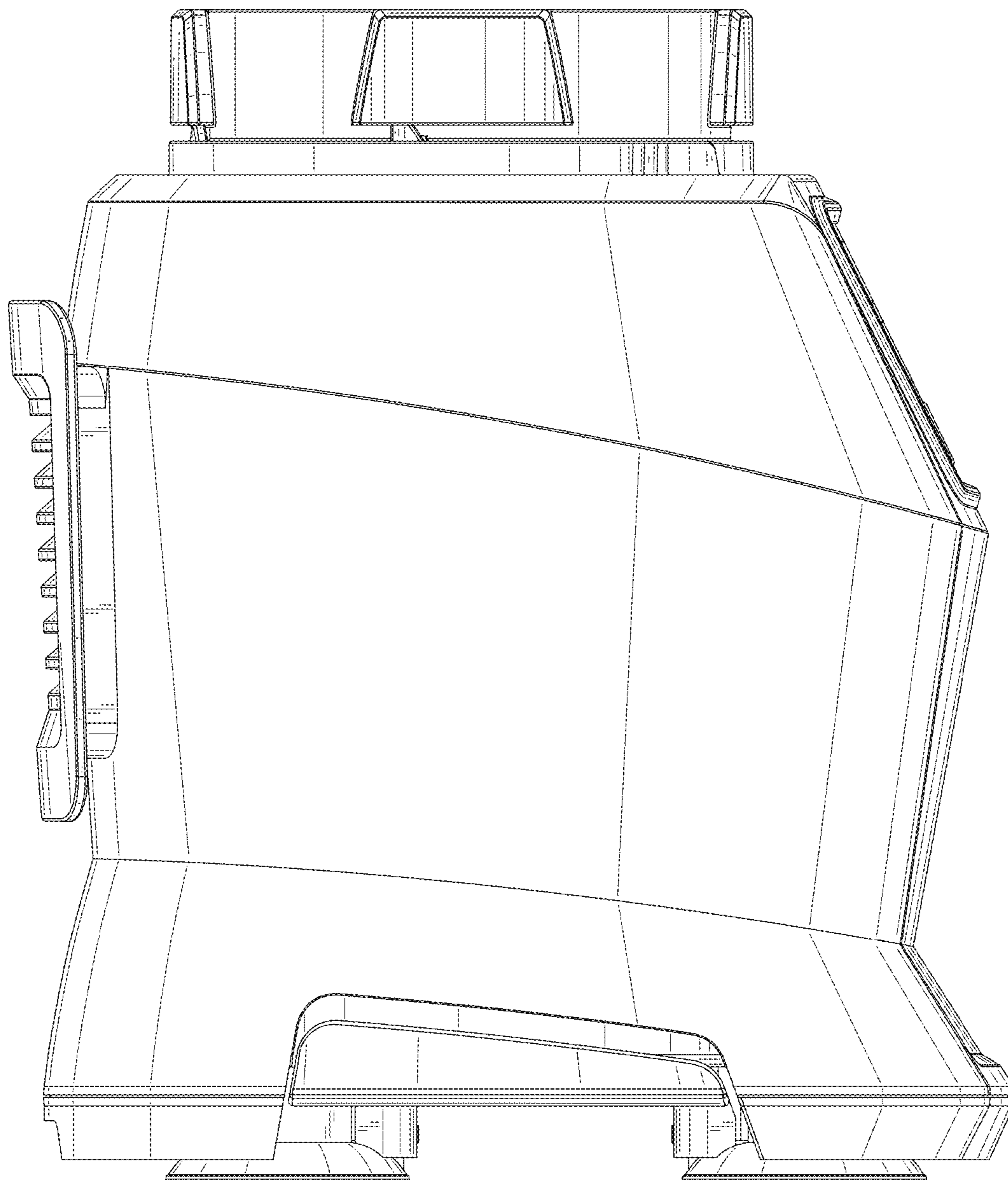


FIG. 4

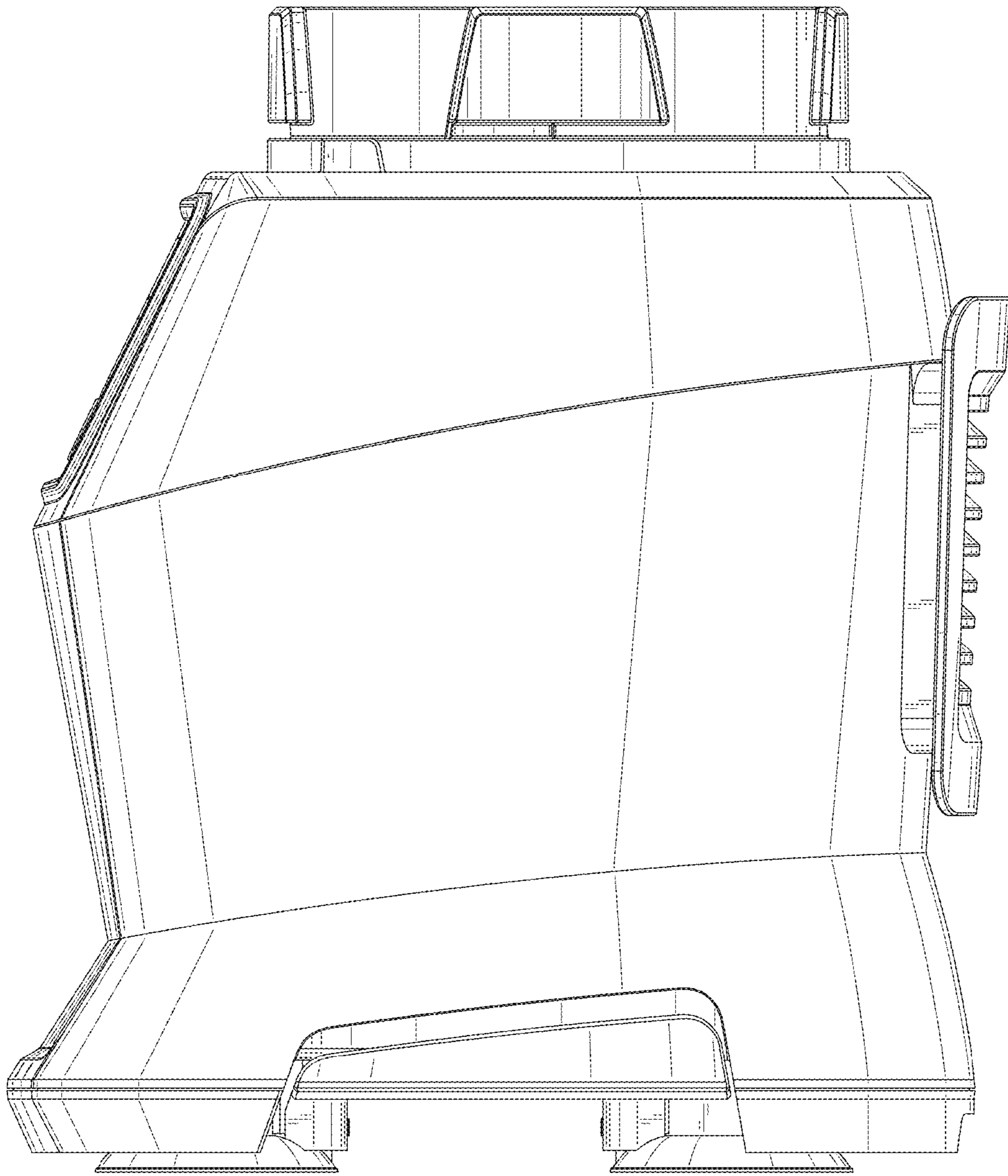


FIG. 5

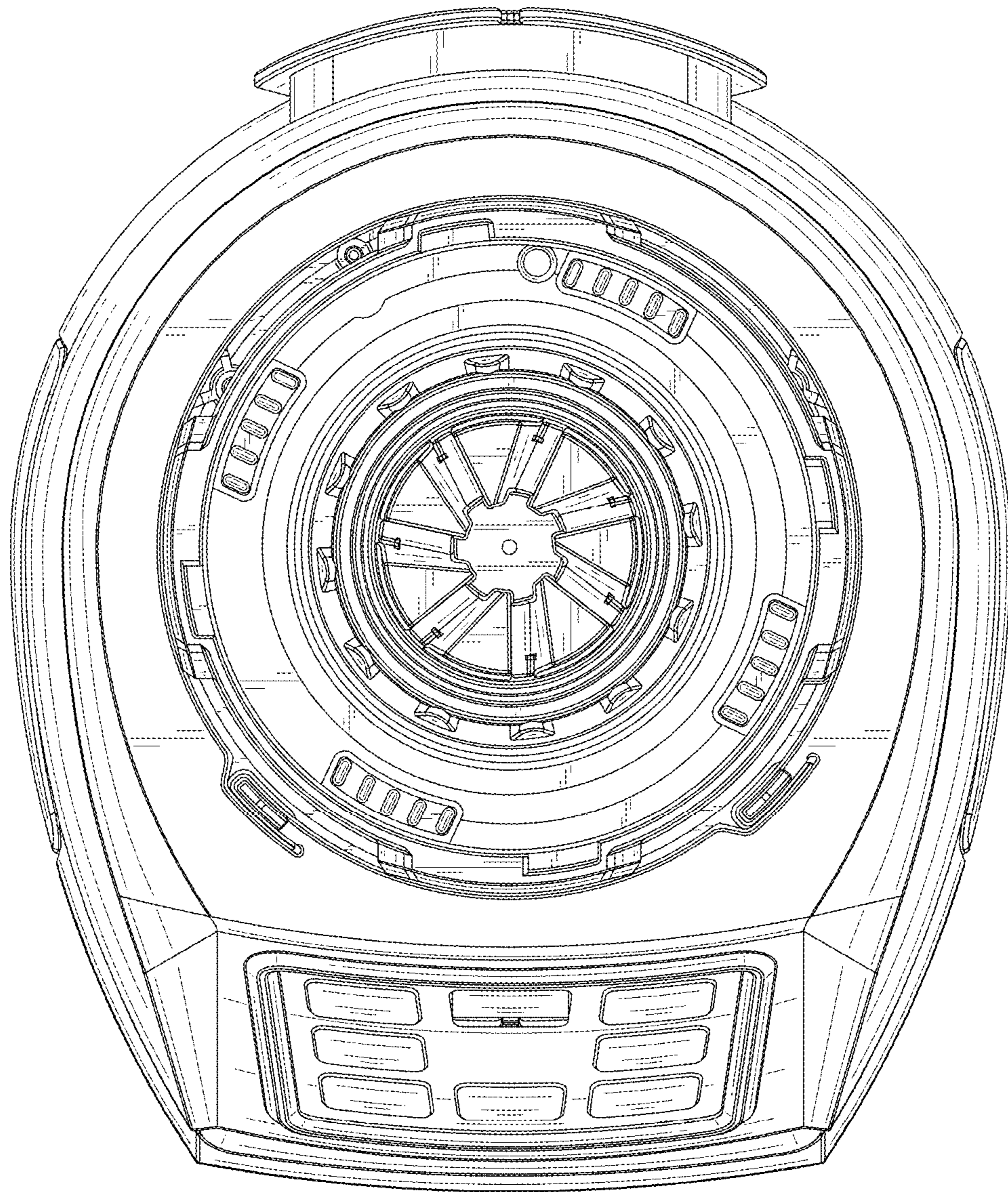


FIG. 6

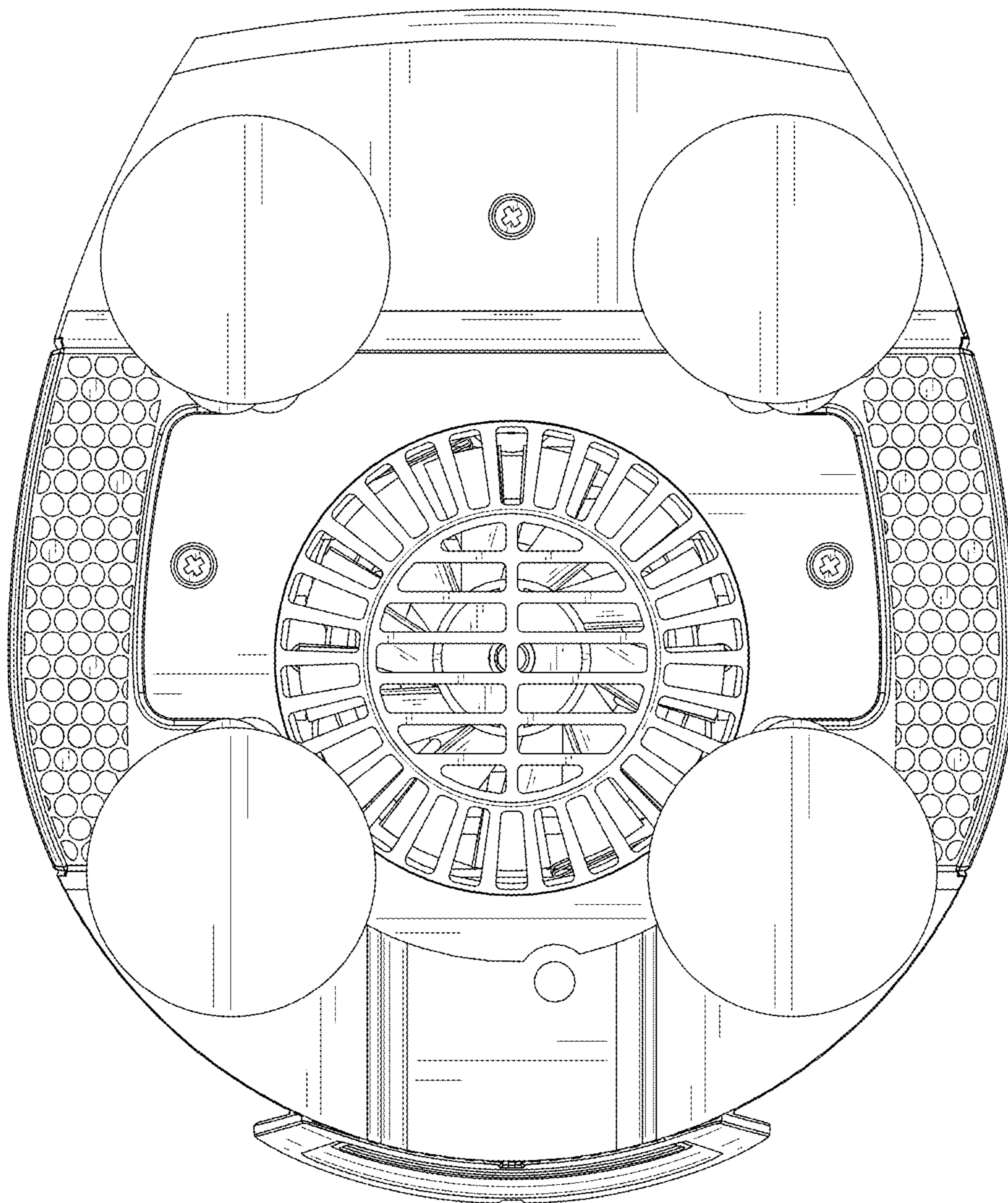


FIG. 7