



US00D786613S

(12) **United States Design Patent** (10) **Patent No.:** **US D786,613 S**
McConnell et al. (45) **Date of Patent:** **** May 16, 2017**

(54) **BLENDER**

(56) **References Cited**

- (71) Applicant: **WHIRLPOOL CORPORATION**,
Benton Harbor, MI (US)
- (72) Inventors: **John W. McConnell**, St. Joseph, MI
(US); **Brandon T. Mock**, St. Joseph,
MI (US); **Zhaoyi Yin**, Benton Harbor,
MI (US)
- (73) Assignee: **Whirlpool Corporation**, Benton
Harbor, MI (US)
- (**) Term: **15 Years**
- (21) Appl. No.: **29/579,859**
- (22) Filed: **Oct. 4, 2016**

U.S. PATENT DOCUMENTS

D432,864	S	*	10/2000	Kindig	D7/412
D466,761	S	*	12/2002	Baerenrodt	D7/378
6,571,908	B2	*	6/2003	Bohannon	A47J 43/0716 160/201
D528,364	S	*	9/2006	Kolar	D7/413
D557,976	S	*	12/2007	Olson	D7/378
D560,963	S	*	2/2008	Alzheimer	D7/378
D592,903	S	*	5/2009	Olson	D7/376
D637,862	S	*	5/2011	Fouquet	D7/376
D761,617	S	*	7/2016	Dennisur	D7/376
D770,225	S	*	11/2016	McConnell	D7/376
D770,226	S	*	11/2016	McConnell	D7/376
D772,008	S	*	11/2016	McConnell	D7/376
D772,009	S	*	11/2016	McConnell	D7/376

* cited by examiner

Primary Examiner — Ricky Pham

Related U.S. Application Data

- (62) Division of application No. 29/519,320, filed on Mar. 4, 2015, now Pat. No. Des. 772,008.
- (51) **LOC (10) Cl.** **31-00**
- (52) **U.S. Cl.**
USPC **D7/378**; D7/376; D7/386; D7/412
- (58) **Field of Classification Search**
USPC D7/372, 376-386, 412-413, 602, 629,
D7/665-666, 669, 679, 693-694
CPC A21C 1/02; A21C 1/04; A23N 1/00; A23N
1/02; A47J 43/04; A47J 43/25; A47J
43/27; A47J 43/042; A47J 43/044; A47J
43/046; A47J 43/075; A47J 43/0716;
A47J 43/0722; A47J 43/0727; B01F 3/00;
B01F 3/0807; B01F 3/0853; B01F
13/0059; B01F 13/0064; B02C 1/08;
B02C 2/04; B02C 4/42; B02C 4/142;
B02C 4/143; B02C 4/423; B02C 13/1835;
B28C 5/10; B28C 5/12; B28C 5/14;
B28C 5/16

See application file for complete search history.

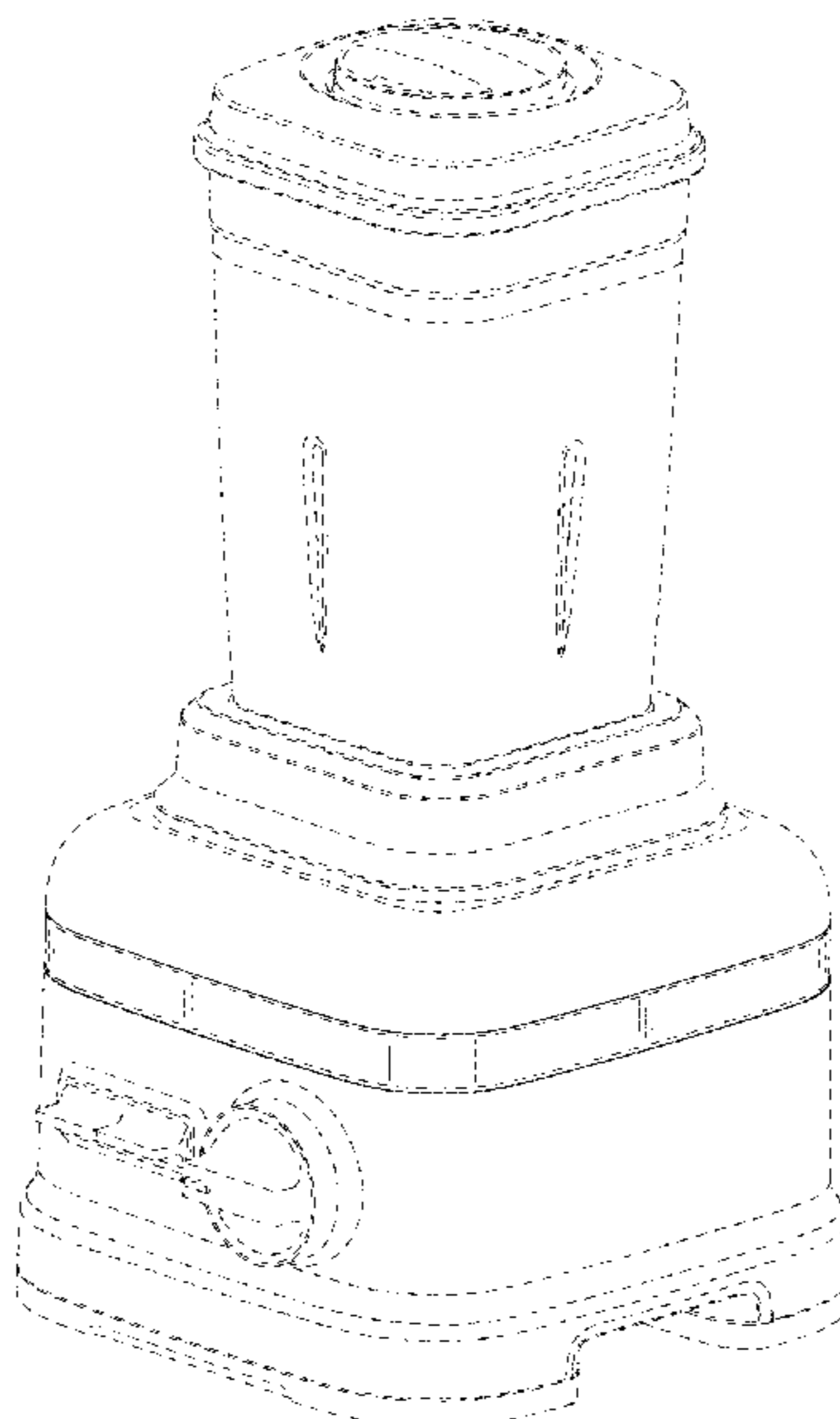
(57) **CLAIM**

We claim the ornamental design for a blender, as shown and described.

DESCRIPTION

FIG. 1 is a front perspective view of the blender of the present invention;
 FIG. 2 is a rear perspective view of the blender of FIG. 1;
 FIG. 3 is a front elevation view of the blender of FIG. 1;
 FIG. 4 is a rear elevation view of the blender of FIG. 1;
 FIG. 5 is a first-side elevation view of the blender of FIG. 1;
 FIG. 6 is a second-side elevation view of the blender of FIG. 1;
 FIG. 7 is a top plan view of the blender of FIG. 1; and,
 FIG. 8 is a bottom plan view of the blender of FIG. 1.
 The broken lines shown in the drawings are for illustrative purposes only and form no part of the claimed design.

1 Claim, 7 Drawing Sheets



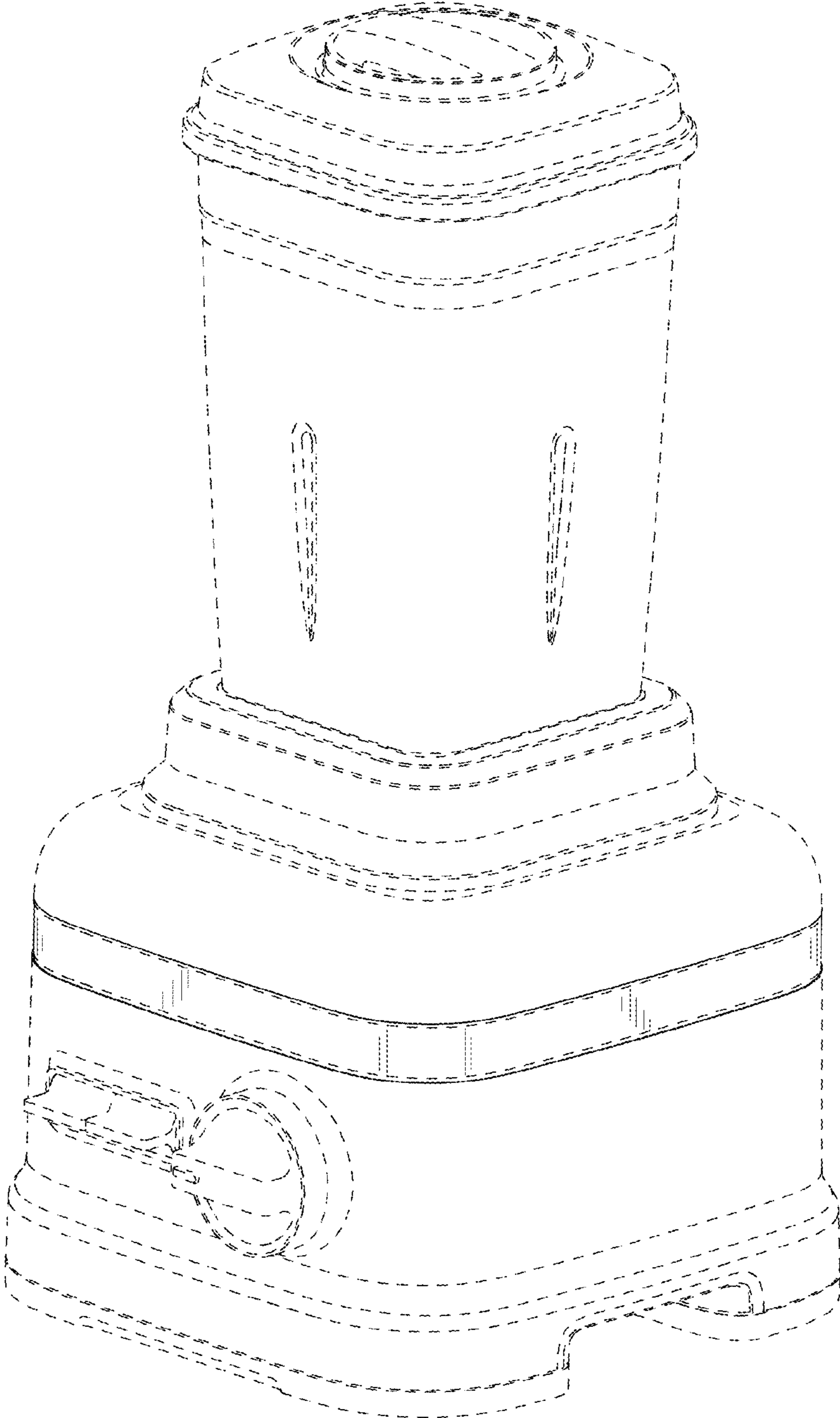


FIG. 1

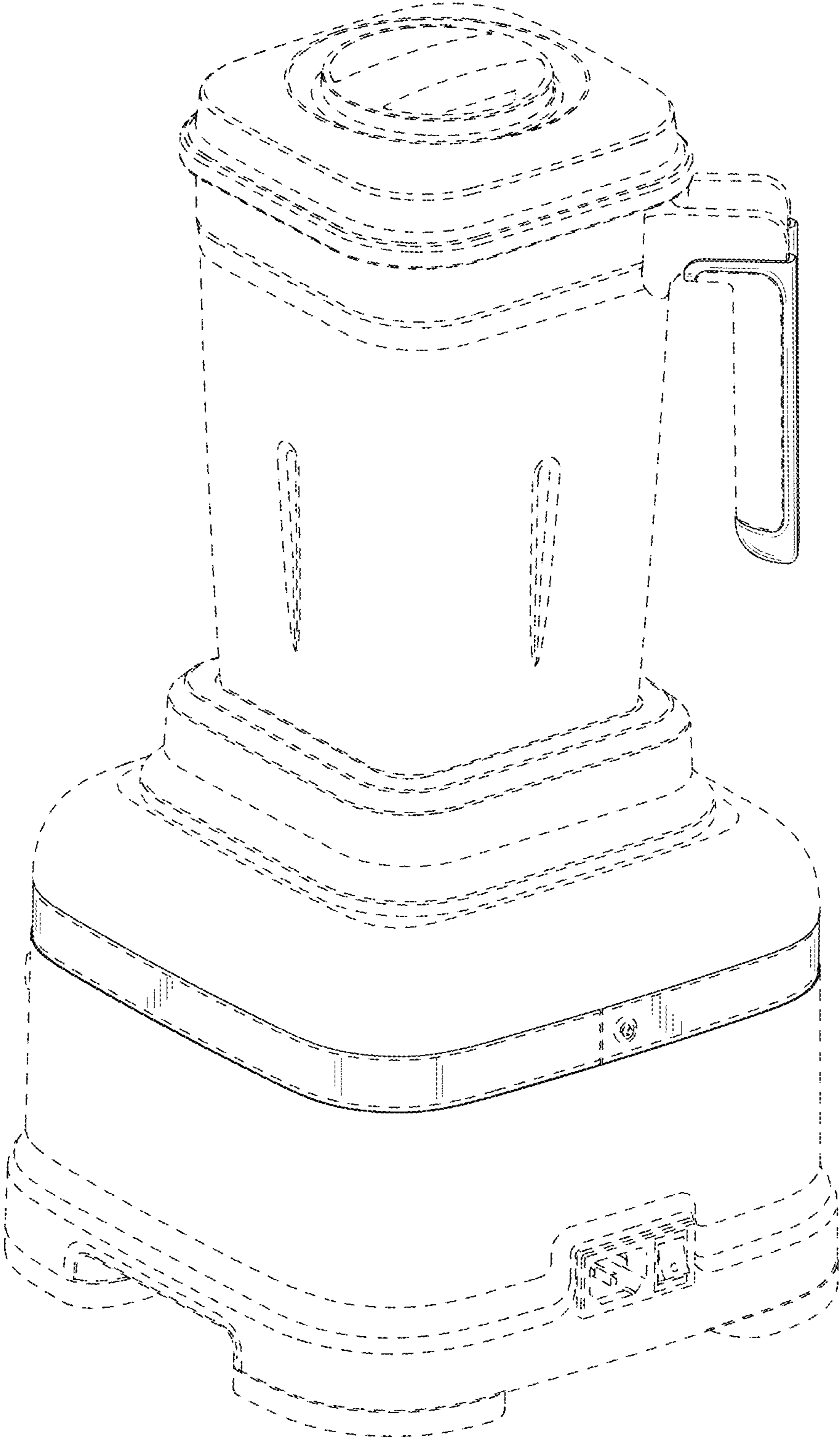


FIG. 2

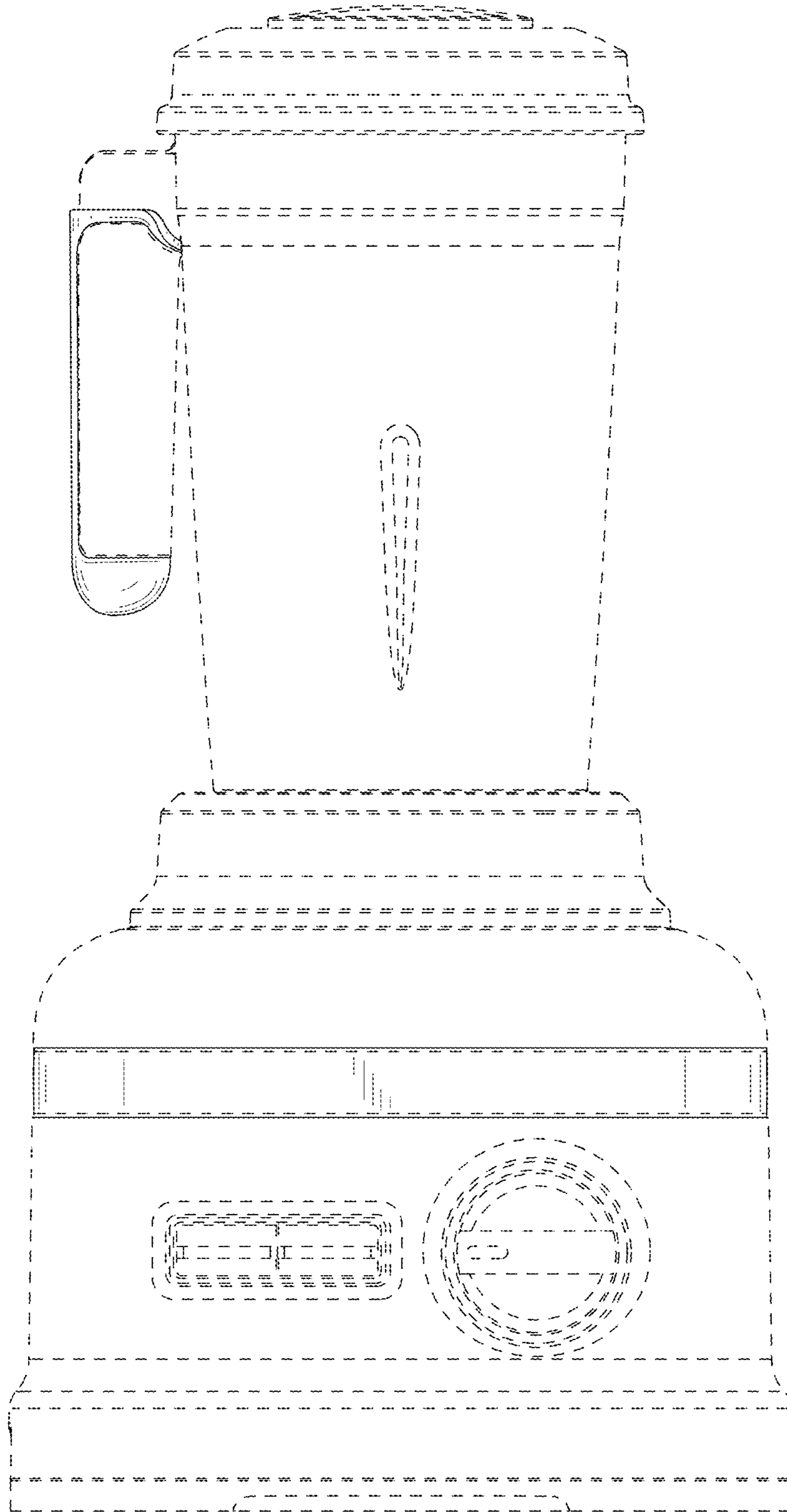


FIG. 3

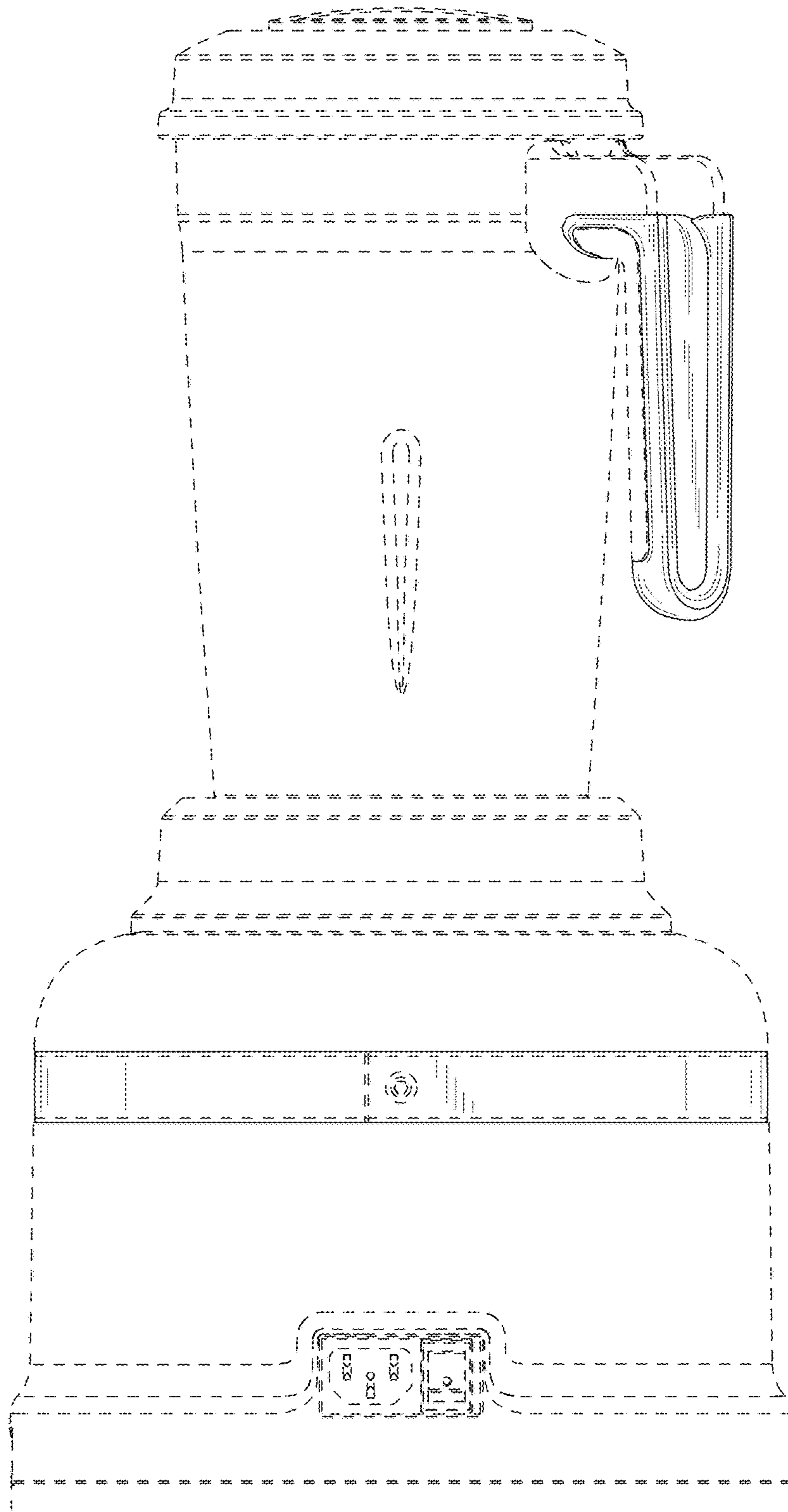


FIG. 4

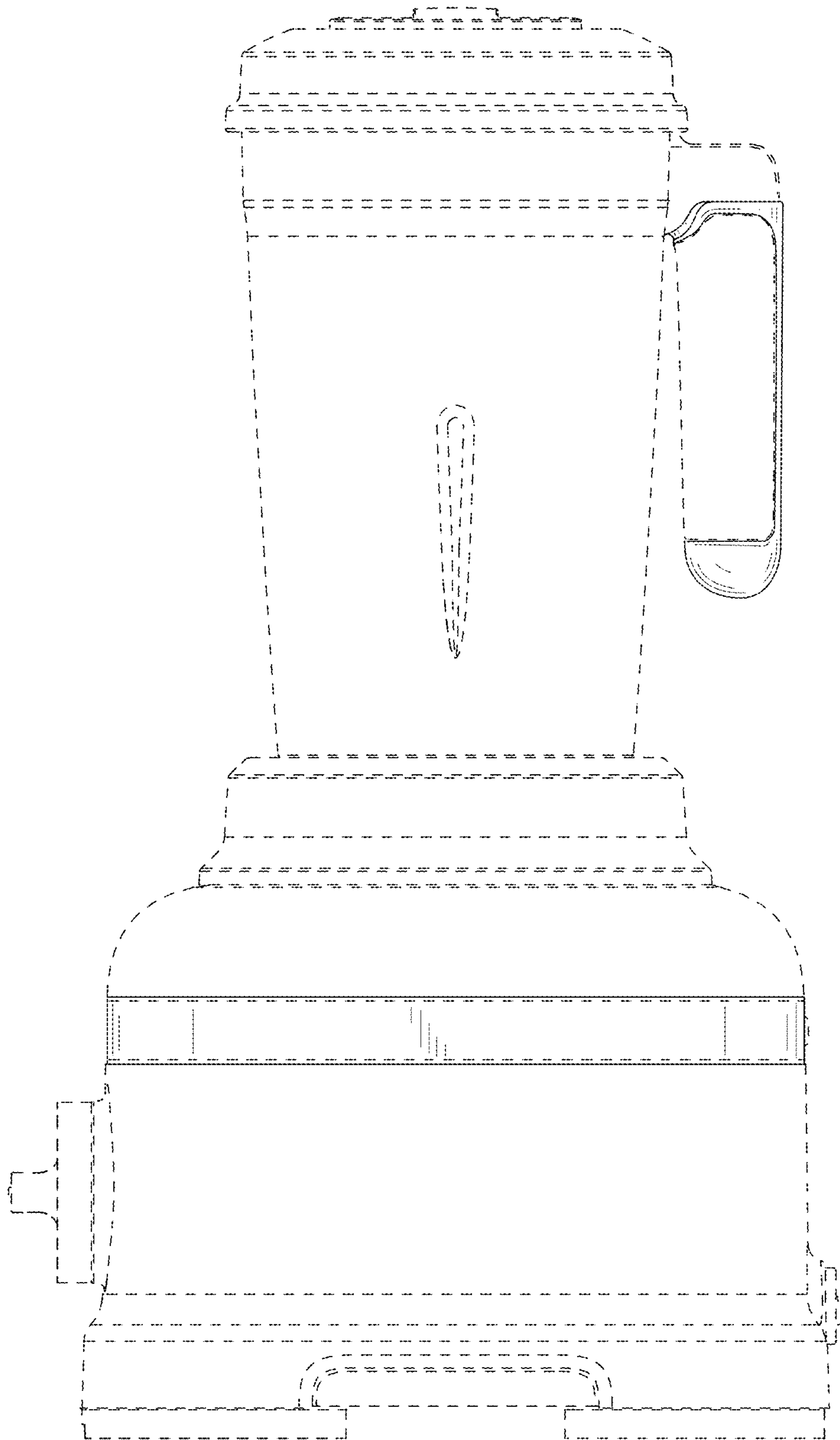


FIG. 5

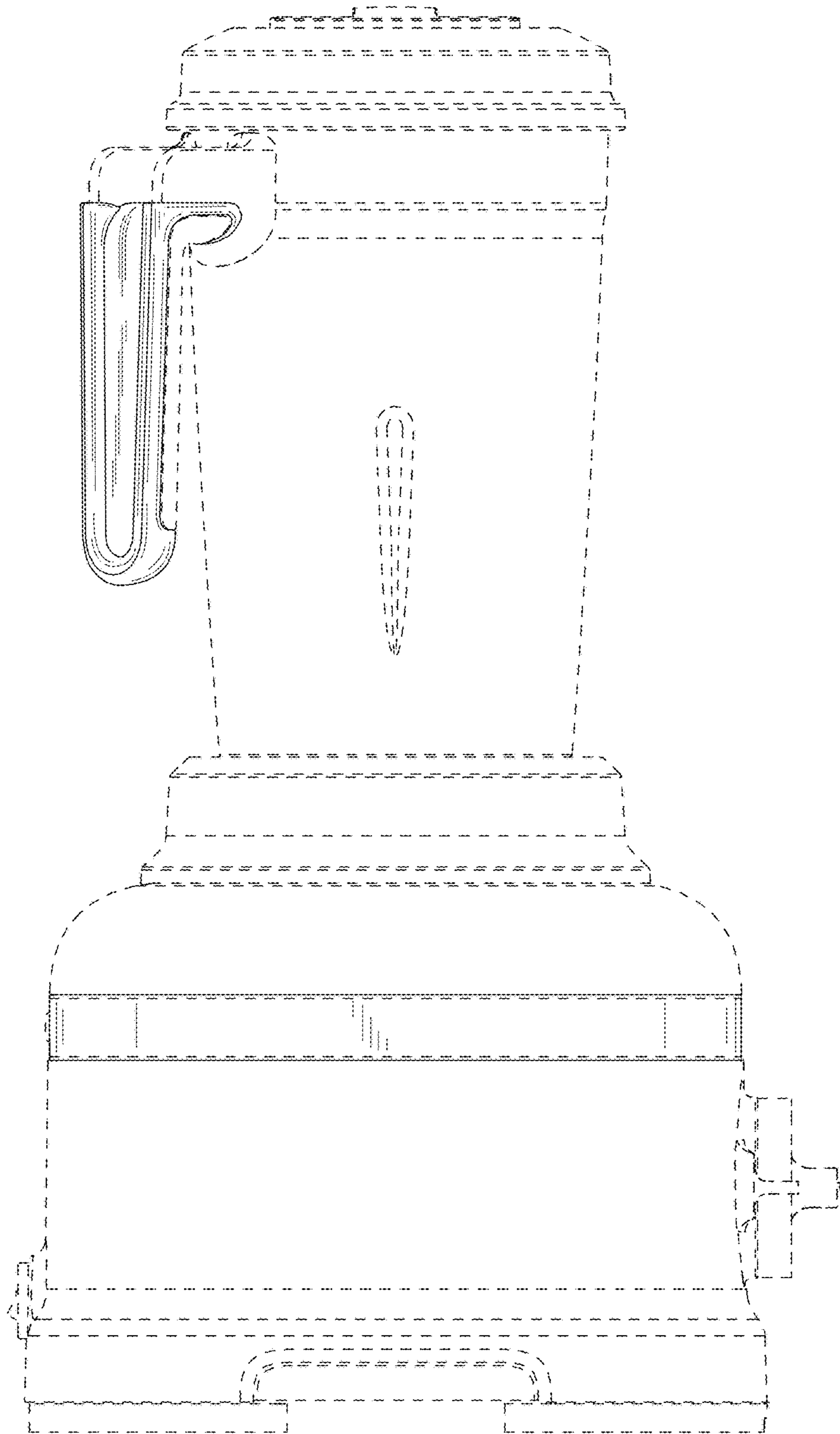


FIG. 6

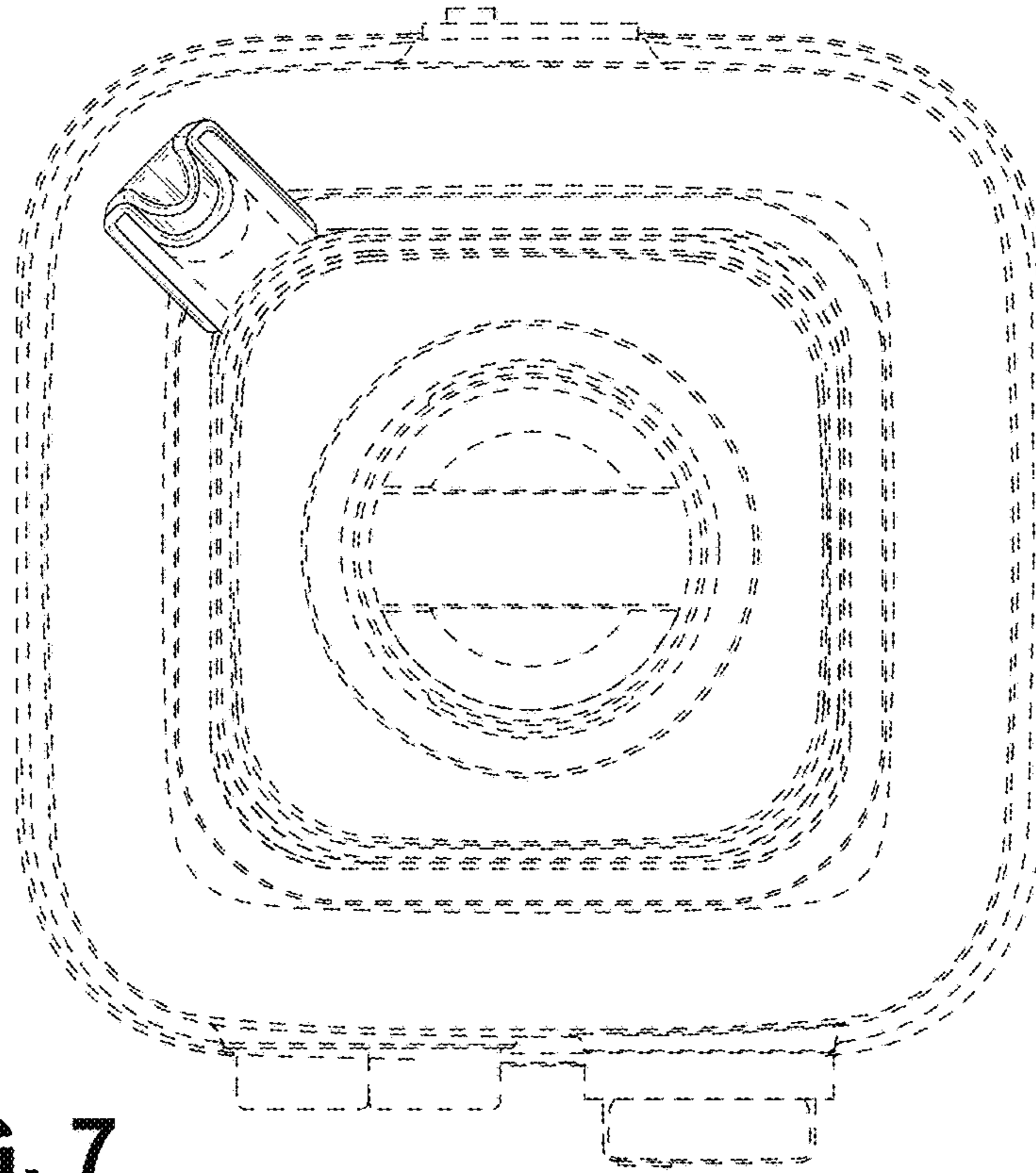


FIG. 7

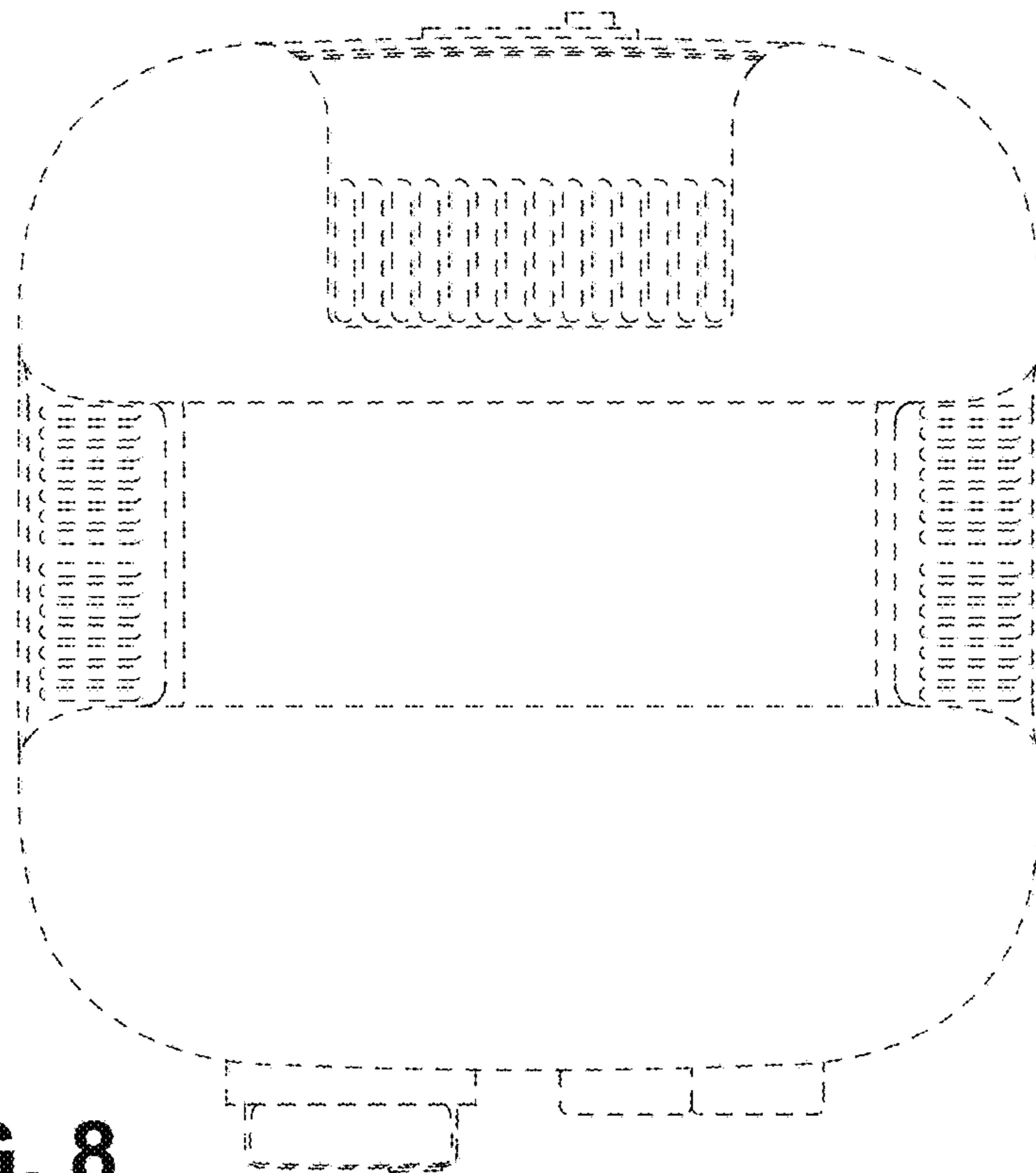


FIG. 8