



US00D786612S

(12) **United States Design Patent** (10) **Patent No.:** **US D786,612 S**
Esteban Bautista et al. (45) **Date of Patent:** **** May 16, 2017**

(54) **COOKING VESSEL**

(71) Applicant: **Funtastic Limited**, Chadstone, Victoria (AU)

(72) Inventors: **Jose Antonio Esteban Bautista**, Chadstone (AU); **Luis Llorens Chanza**, Chadstone (AU); **Man Piu Billy Yip**, Chadstone (AU)

(73) Assignee: **Funtastic Limited**, Chadstone (AU)

(**) Term: **15 Years**

(21) Appl. No.: **29/545,157**

(22) Filed: **Nov. 10, 2015**

(51) **LOC (10) Cl.** **07-02**

(52) **U.S. Cl.**
USPC **D7/359**; D7/323; D7/354

(58) **Field of Classification Search**
USPC D3/201, 202, 203.1, 270, 271.1; D6/672, D6/674, 677, 707.15; D7/323, 329–332, D7/337–339, 346–347, 350.1–350.4, D7/353–368, 391, 392.1, 393–398, D7/402–406, 409, 511, 515, 523, 526, D7/530, 531, 534.1, 538, 542, 543, 551, D7/553.1, 553.2, 553.7, 554.1, 554.4, D7/560–566, 584–588, 600.1, 601–615; D9/414, 418, 420, 432; D28/76, 78, 82, D28/91

CPC A47G 19/12; A47J 27/00; A47J 27/002; A47J 27/004; A47J 27/08; A47J 27/21; A47J 27/58; A47J 35/025; A47J 37/00; A47J 37/10; A47J 37/101; A47J 37/103; A47J 37/1204; A47J 37/0704; A47J 45/061; A47J 45/065; A47J 45/071; A47J 45/08; A47J 29/00; A47J 29/02; A47J 29/04; A47J 29/06; A47J 36/025; H05B 6/06; H05B 6/12; A01K 41/02; A01K 41/026; A01K 41/04; A23B 5/00; A23B 5/005; A23B 5/0052

See application file for complete search history.

(56) **References Cited**

U.S. PATENT DOCUMENTS

2,269,480 A * 1/1942 Rehm A47J 37/103
126/275 R
D322,402 S * 12/1991 Budzbanowski D9/428
D463,197 S * 9/2002 Hall D7/332
D506,351 S * 6/2005 Scholze D7/360
D568,679 S * 5/2008 Regnart D7/391
D572,535 S * 7/2008 El-Ghouyel D7/500

(Continued)

FOREIGN PATENT DOCUMENTS

CN 302348235 * 3/2013
KR 300862663 * 7/2016

OTHER PUBLICATIONS

Cupcake holder: Announced Jul. 16, 2011 [online], site visited [Dec. 21, 2016]. Available from Internet URL: <http://www.cricketsdailyfix.com/uncategorized/daily-life/cupcake-holder/>.*

Primary Examiner — Barbara Fox
Assistant Examiner — Catherine Posthauer
(74) *Attorney, Agent, or Firm* — Christensen O'Connor Johnson Kindness PLLC

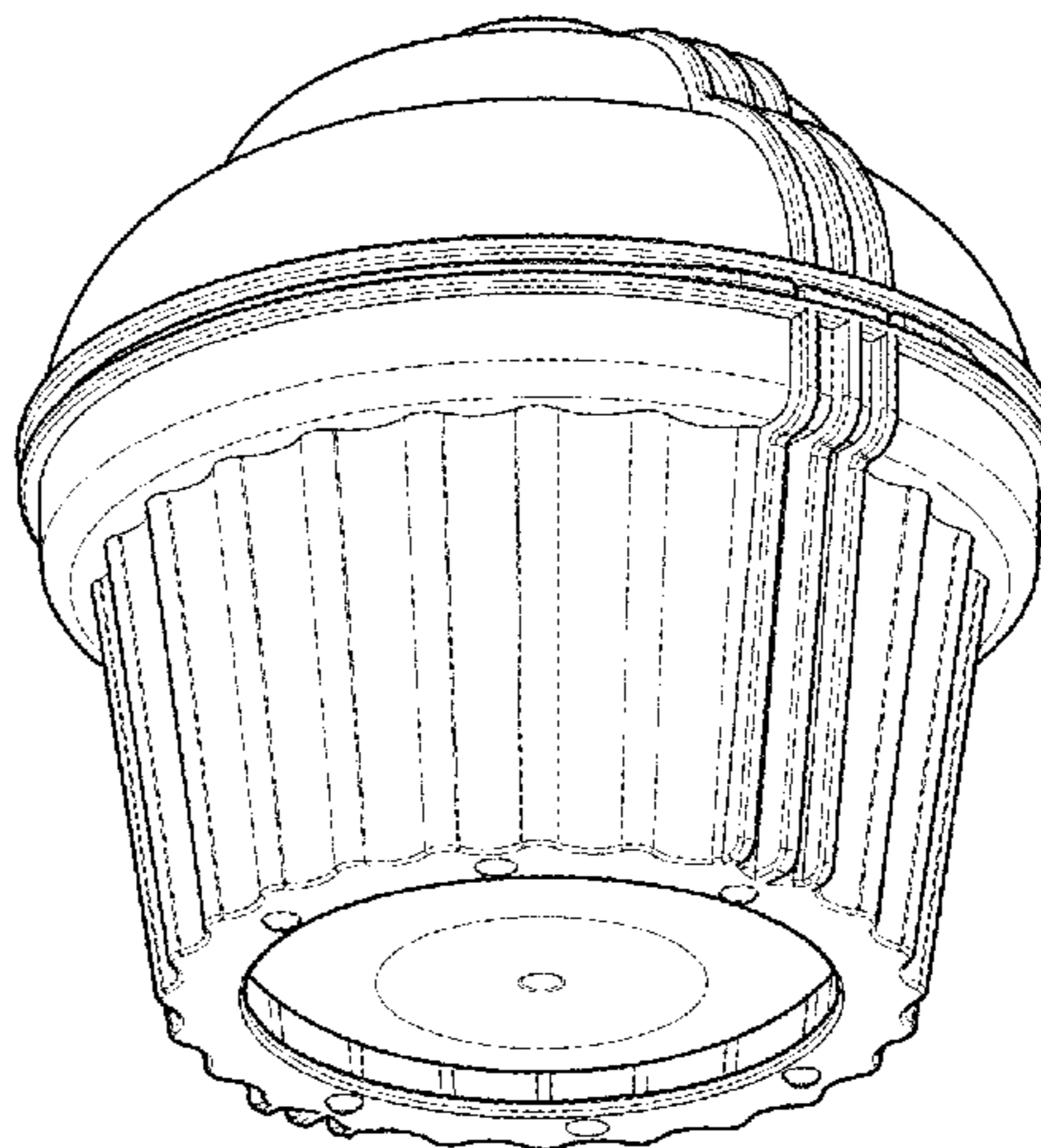
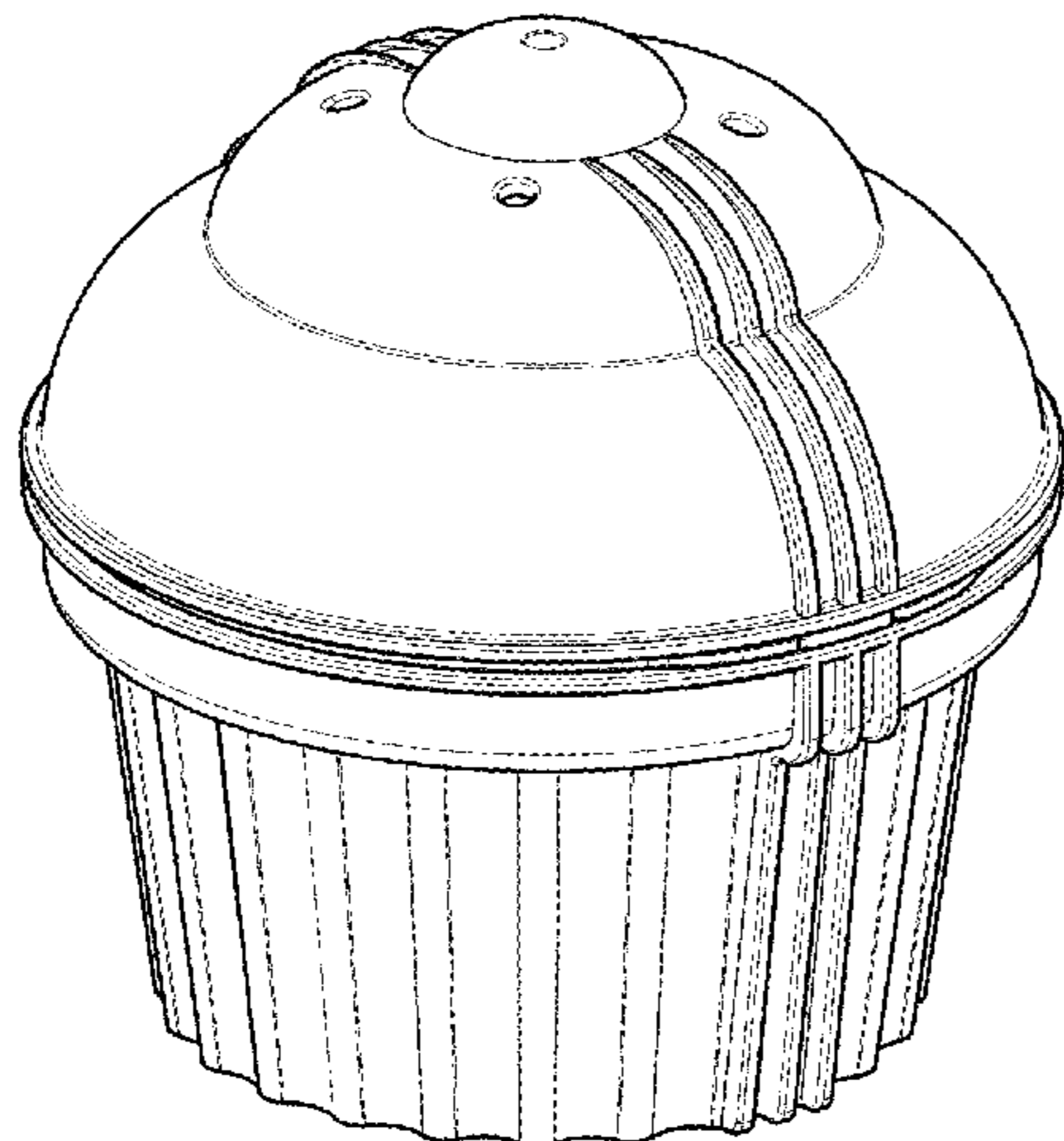
(57) **CLAIM**

The ornamental design for a cooking vessel, as shown and described.

DESCRIPTION

FIG. 1 is a front perspective view from above the cooking vessel;
FIG. 2 is a rear perspective view from below the cooking vessel;
FIG. 3 is a top view of the cooking vessel;
FIG. 4 is a bottom view of the cooking vessel;
FIG. 5 is a front view of the cooking vessel; and,
FIG. 6 is a side view of the cooking vessel.

1 Claim, 3 Drawing Sheets



(56)

References Cited

U.S. PATENT DOCUMENTS

D575,097	S	*	8/2008	Courington	D7/357
D594,285	S	*	6/2009	Merey	D7/610
D601,379	S	*	10/2009	De Leo	D7/354
D609,963	S	*	2/2010	Braden	D7/359
D611,774	S	*	3/2010	Yung	D7/613
D614,453	S	*	4/2010	Curtin	D7/629
D618,492	S	*	6/2010	Li	D7/354
D618,493	S	*	6/2010	Li	D7/354
D629,641	S	*	12/2010	Kuan	D7/354
D633,654	S	*	3/2011	Berkete	D28/79
D661,540	S	*	6/2012	Facey	D7/354
D661,596	S	*	6/2012	Mather	D9/451
D674,666	S	*	1/2013	Palotto	D7/629
D674,689	S	*	1/2013	Chen	D9/429
D684,461	S	*	6/2013	Chen	D9/429
D698,610	S	*	2/2014	Tavoularis, II	D7/610
D698,611	S	*	2/2014	Tavoularis, II	D7/610
D748,953	S	*	2/2016	Yip	D7/610
D771,430	S	*	11/2016	Yip	D7/354
2007/0108092	A1	*	5/2007	Minuto	B65D 11/02 206/581

* cited by examiner

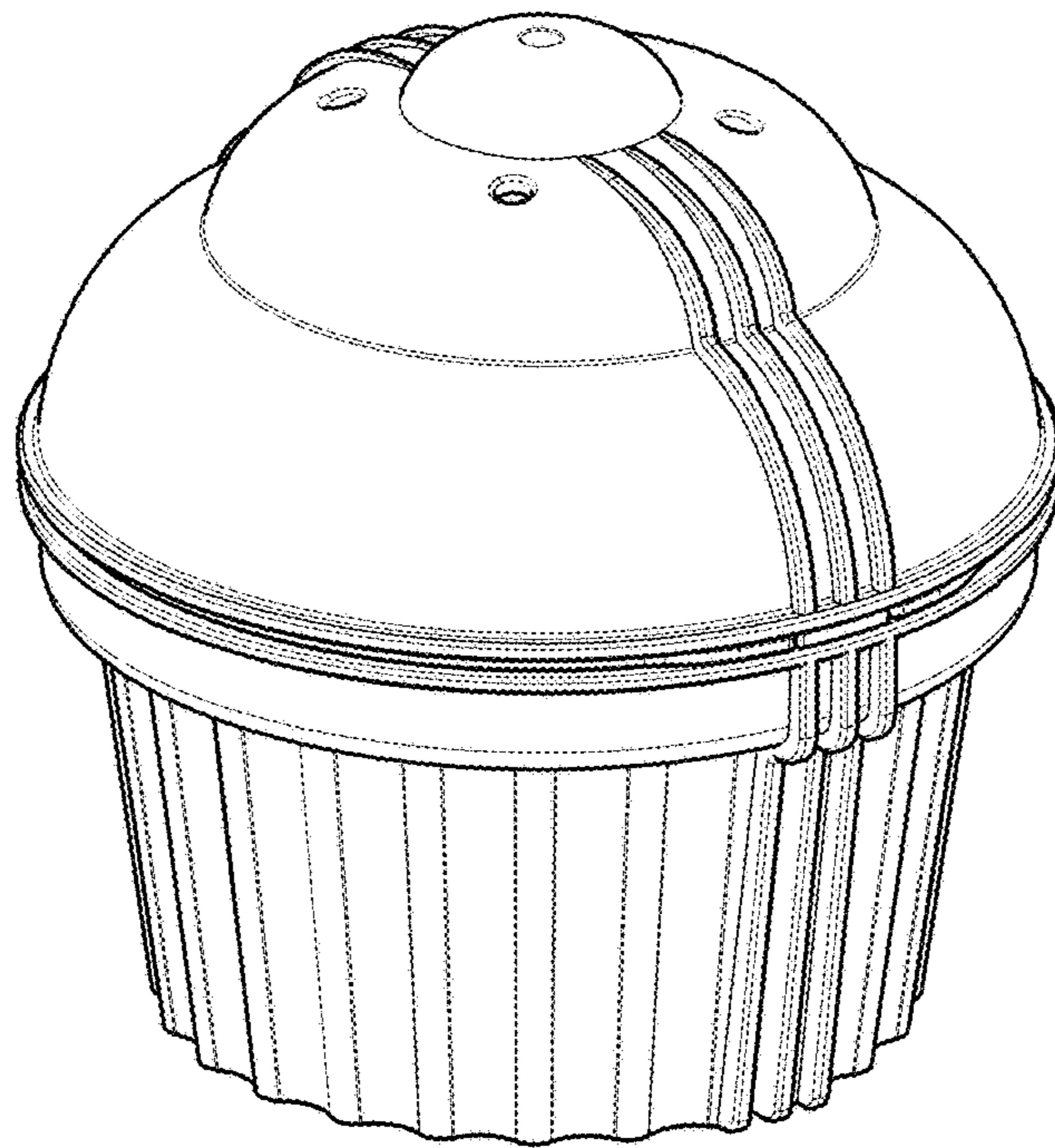


Figure 1

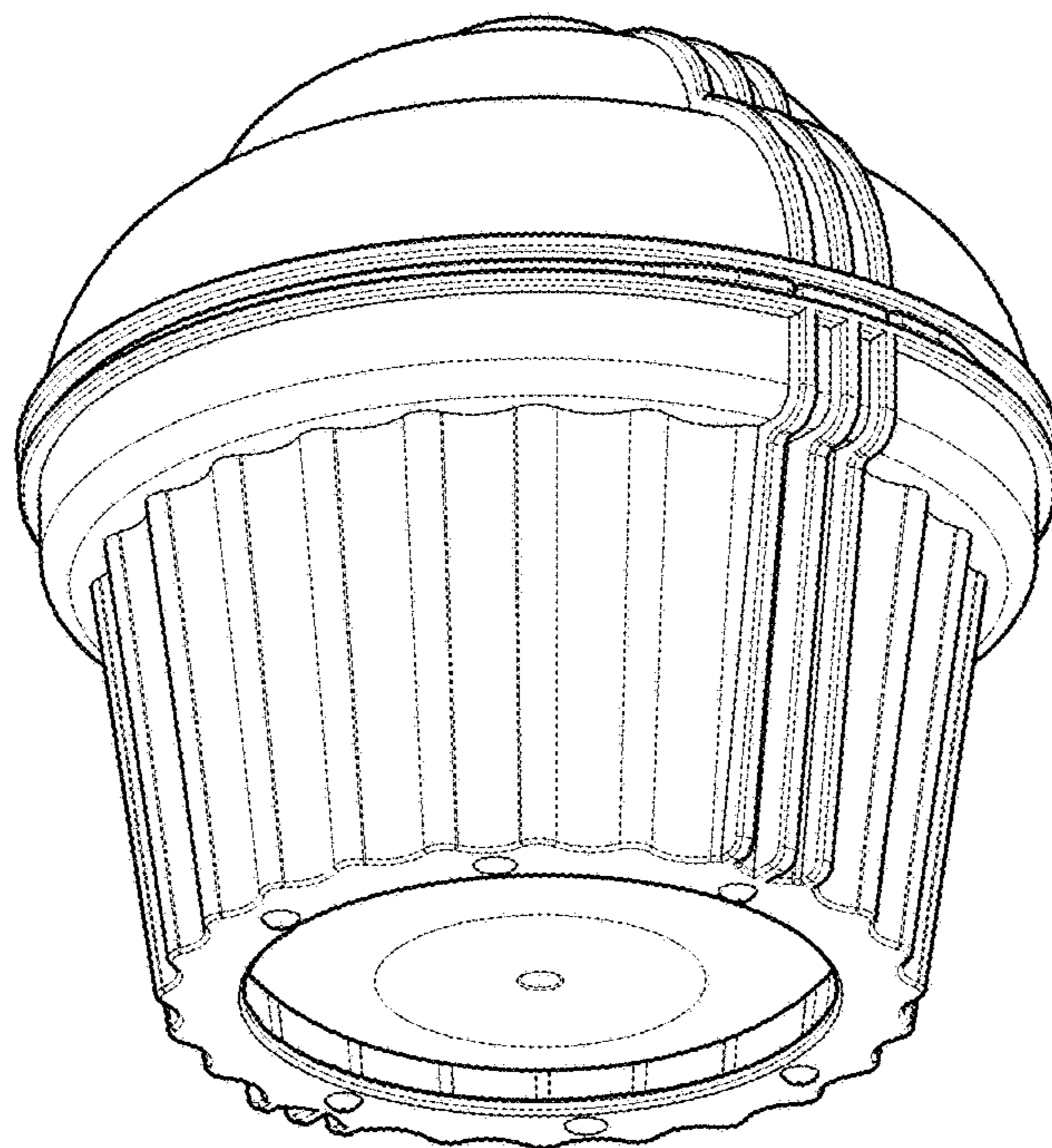


Figure 2

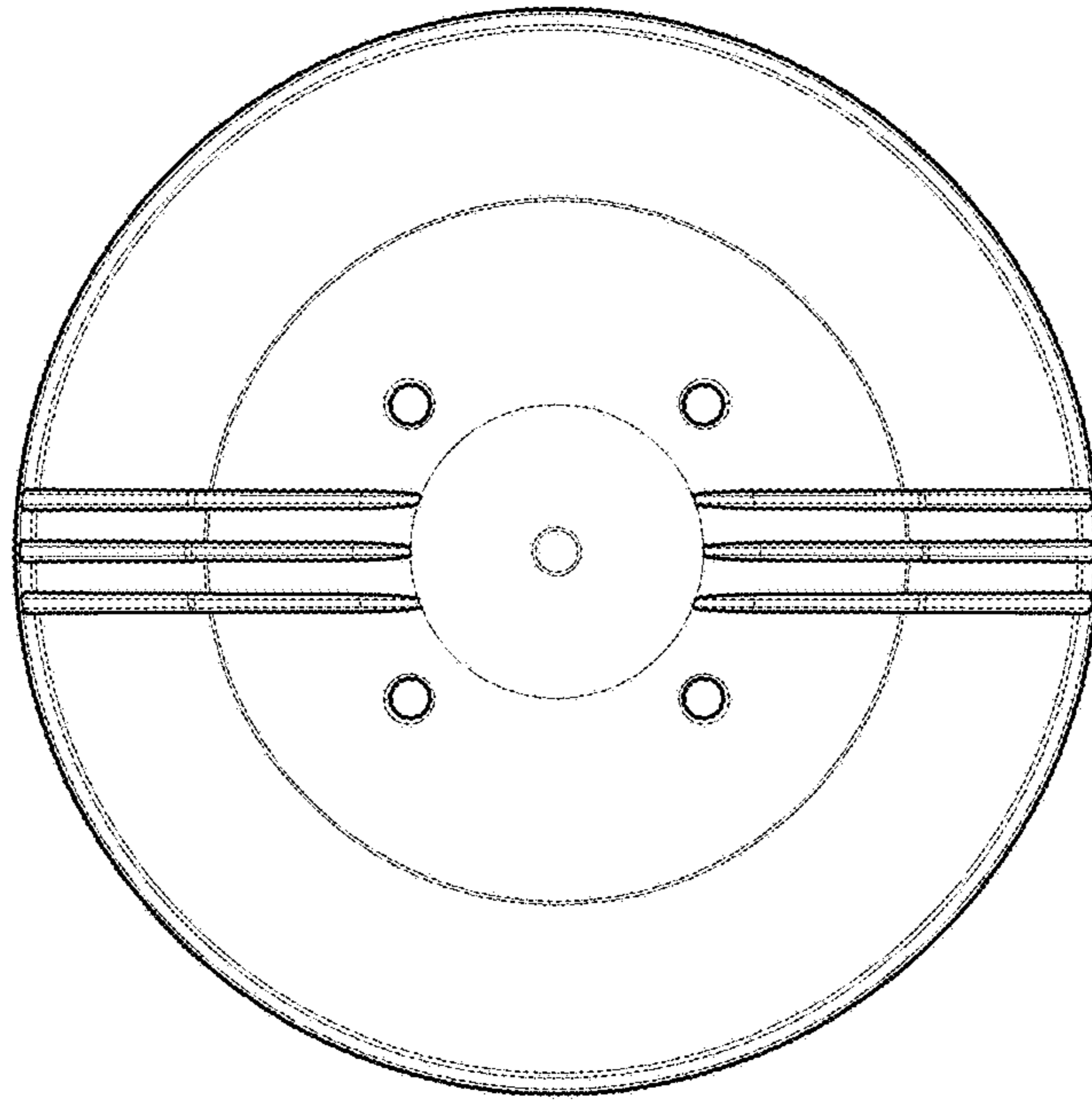


Figure 3

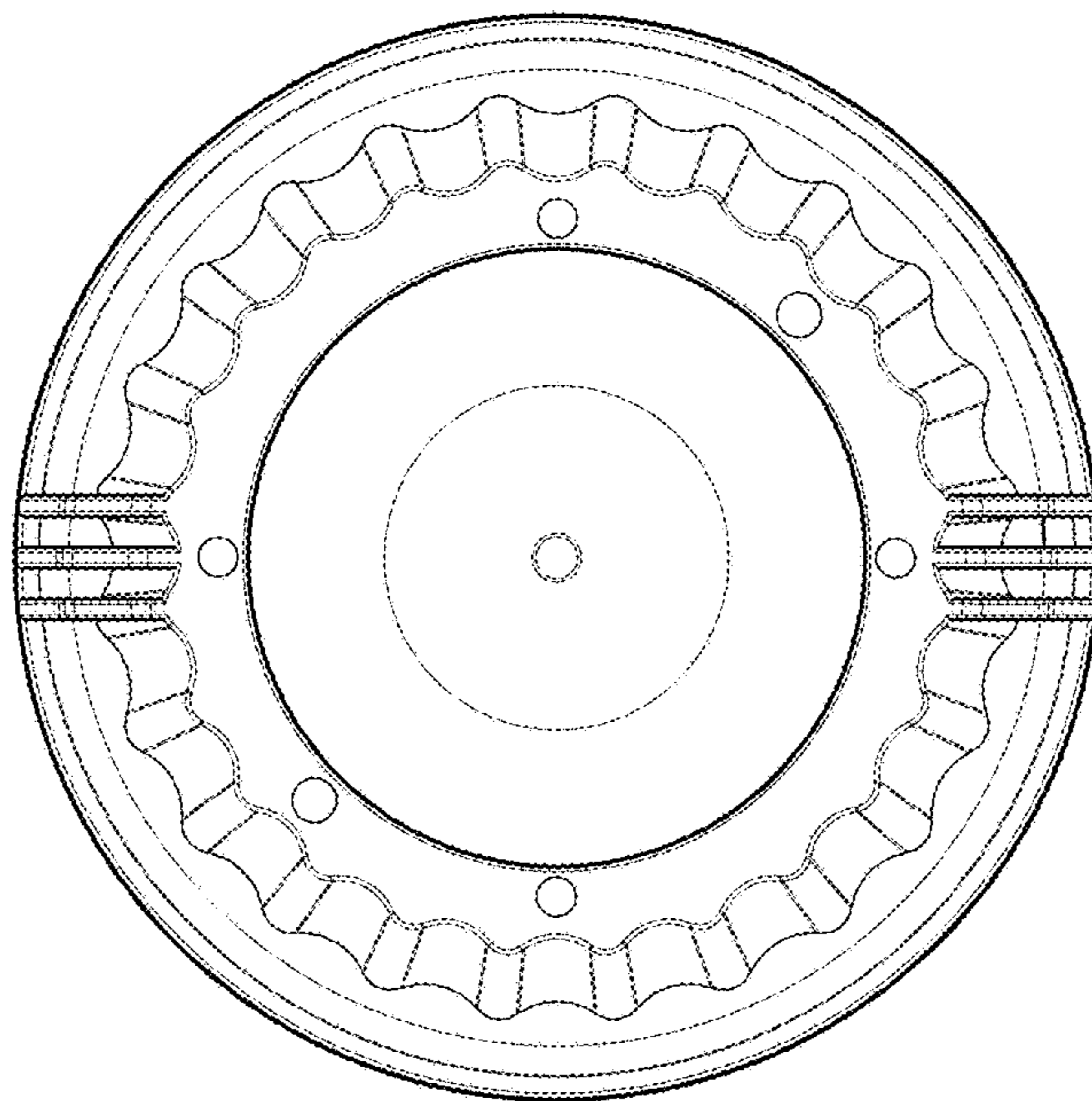


Figure 4

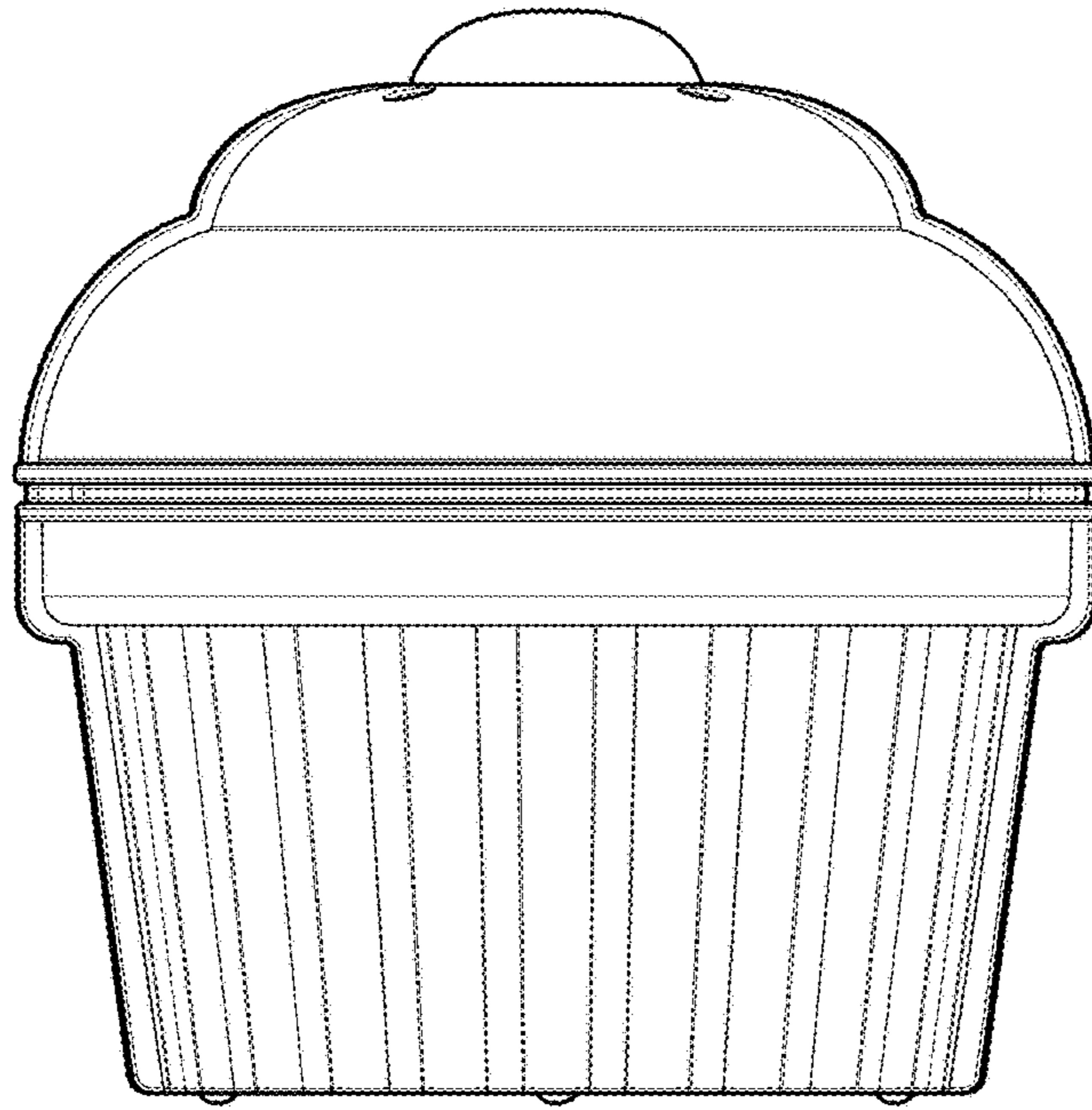


Figure 5

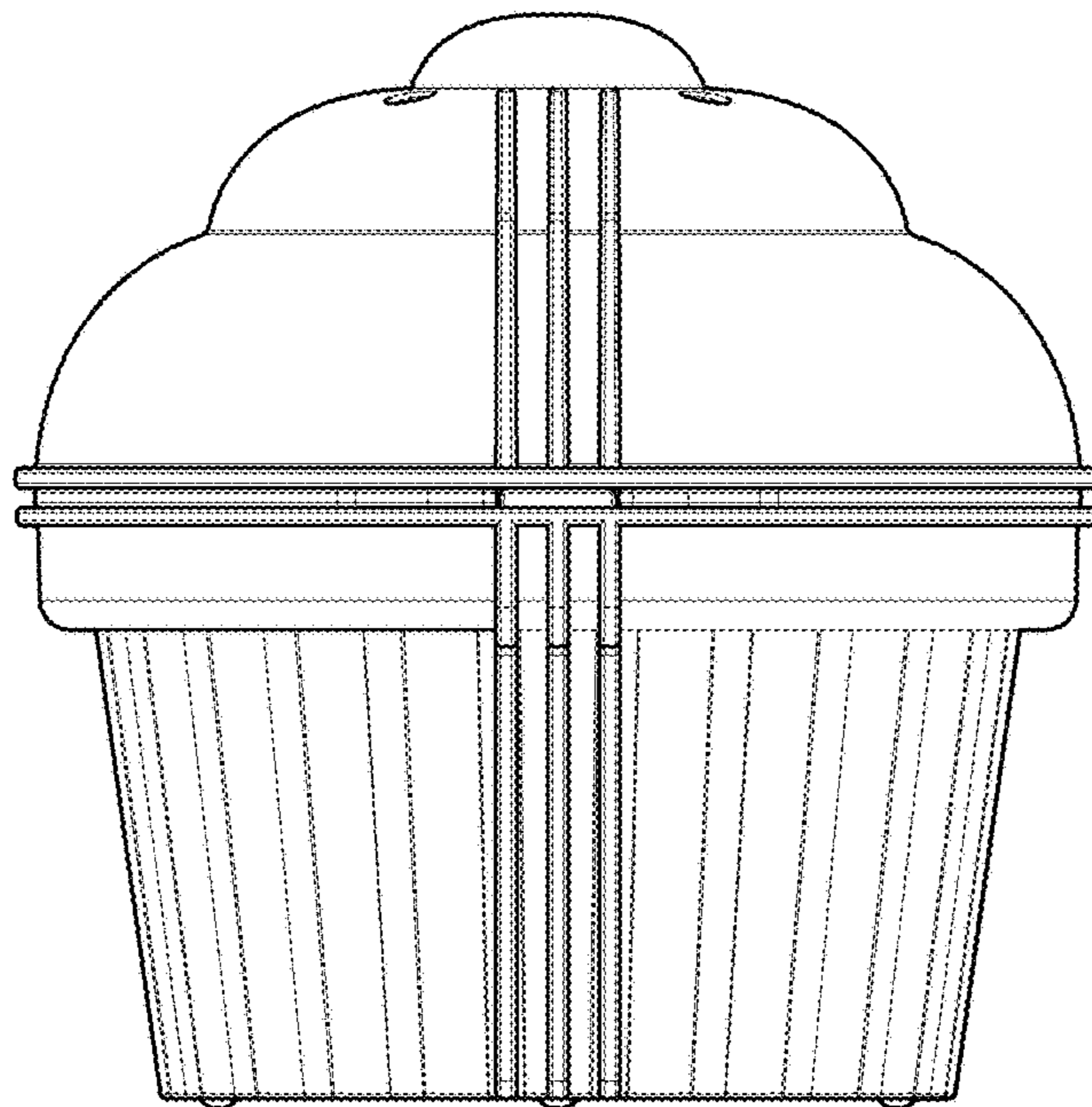


Figure 6