



US00D786611S

(12) **United States Design Patent**  
**Funnell, II et al.**

(10) **Patent No.:** **US D786,611 S**

(45) **Date of Patent:** **\*\* May 16, 2017**

(54) **OVEN**

(71) Applicant: **BSH Home Appliances Corporation**,  
Irvine, CA (US)

(72) Inventors: **Richard W. Funnell, II**, Corona del  
Mar, CA (US); **Andrew Roberson**,  
Long Beach, CA (US); **Graham  
Sadtler**, Huntington Beach, CA (US)

(73) Assignee: **BSH Home Appliances Corporation**,  
Irvine, CA (US)

(\*\*) Term: **15 Years**

(21) Appl. No.: **29/547,487**

(22) Filed: **Dec. 4, 2015**

**Related U.S. Application Data**

(62) Division of application No. 29/456,408, filed on May  
31, 2013, now Pat. No. Des. 750,414.

(51) **LOC (10) Cl.** ..... **07-02**

(52) **U.S. Cl.**  
USPC ..... **D7/348**

(58) **Field of Classification Search**  
USPC ..... D7/339-349  
CPC .. F24C 7/00; F24C 7/002; F24C 7/043; F24C  
7/046; F24C 7/062; F24C 7/067; F24C  
15/02; F24C 15/04  
See application file for complete search history.

(56) **References Cited**

**U.S. PATENT DOCUMENTS**

D191,893 S	*	12/1961	Faidy et al.	.....	D7/340
D399,390 S	*	10/1998	Baldwin	.....	D7/348
D523,685 S	*	6/2006	Jung	.....	D7/340
D526,527 S	*	8/2006	Jung	.....	D7/348
D530,561 S	*	10/2006	Kim	.....	D7/351
D538,581 S	*	3/2007	Lee	.....	D7/340
D552,920 S	*	10/2007	Chung	.....	D7/348

D580,698 S	*	11/2008	Kim	.....	D7/348
D603,650 S	*	11/2009	Yalcin	.....	D7/349
D604,988 S	*	12/2009	Yalcin	.....	D7/349
D611,755 S	*	3/2010	Yalcin	.....	D7/349
D611,756 S	*	3/2010	Yalcin	.....	D7/349
D626,782 S	*	11/2010	Busalt	.....	D7/349
D627,593 S	*	11/2010	Lee	.....	D7/340
D646,112 S	*	10/2011	Park	.....	D7/348
D646,113 S	*	10/2011	Park	.....	D7/348

(Continued)

*Primary Examiner* — Mitchell Siegel

(74) *Attorney, Agent, or Firm* — Michael E. Tschupp;  
Andre Pallapies

(57) **CLAIM**

The ornamental design for an oven and/or component thereof, as shown and described.

**DESCRIPTION**

FIG. 1 is a front perspective view of an oven showing an embodiment of our new ornamental design;

FIG. 2 a front view thereof;

FIG. 3 is a top view thereof, with the bottom view thereof being a mirror image thereof;

FIG. 4 is a right side view thereof, with the left side view thereof being a mirror image thereof;

FIG. 5 is a front perspective view of an oven showing an embodiment of our new ornamental design;

FIG. 6 a front view thereof;

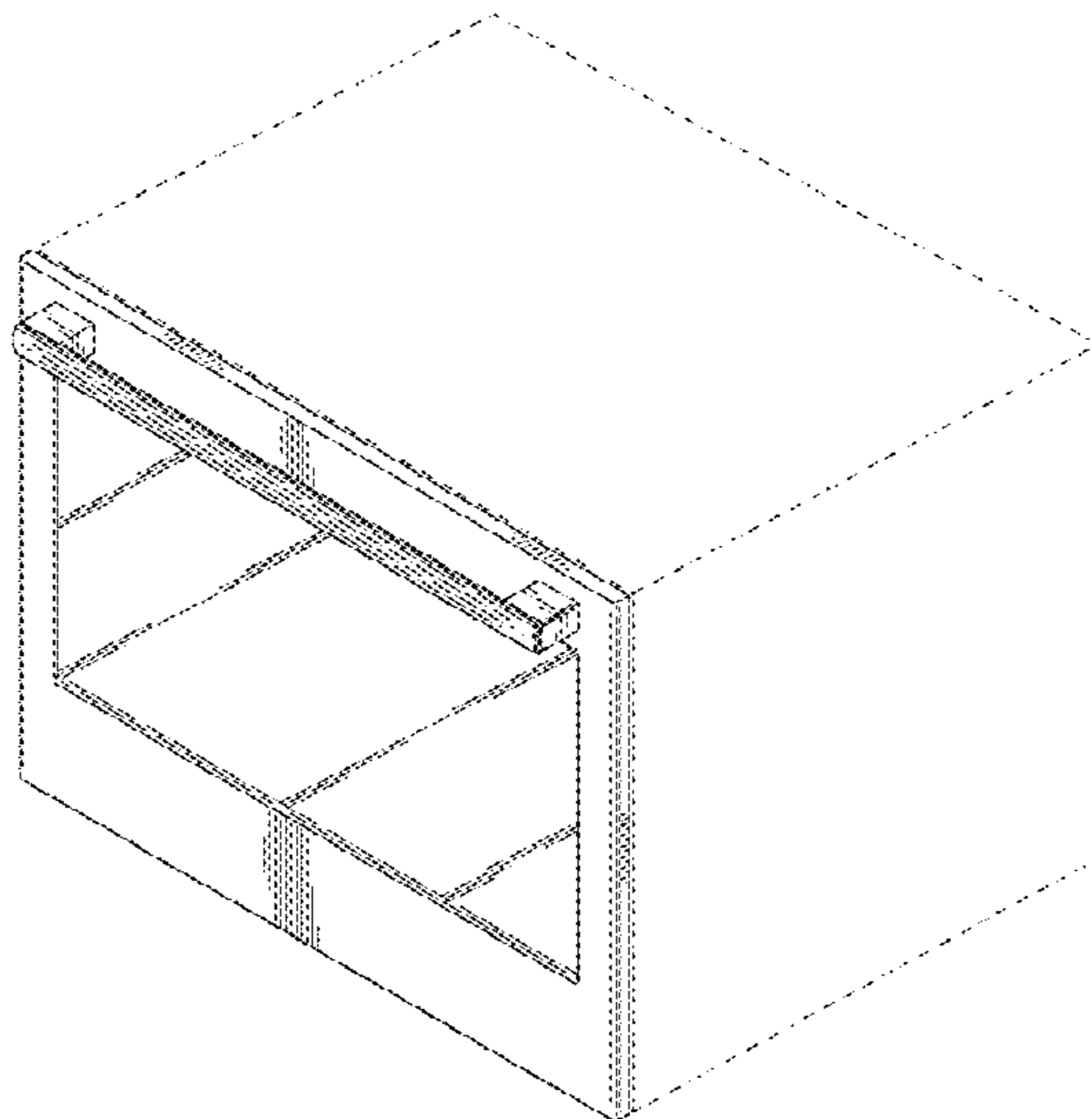
FIG. 7 is a top view thereof, with the bottom view thereof being a mirror image thereof; and,

FIG. 8 is a right side view thereof, with the left side view thereof being a mirror image thereof.

The broken lines represent environment and form no part of the claimed design.

One or more views (e.g., rear view) of the oven and/or component thereof may not be shown, which is an indication that the design in that view is not ornamented and/or is simply not claimed.

**1 Claim, 8 Drawing Sheets**



(56)

**References Cited**

U.S. PATENT DOCUMENTS

D664,388 S *	7/2012	Park .....	D7/348
D668,106 S *	10/2012	Borjesson .....	D7/405
D668,107 S *	10/2012	Borjesson .....	D7/405
D668,108 S *	10/2012	Borjesson .....	D7/405
D669,297 S *	10/2012	Tanaka .....	D7/349
D710,646 S *	8/2014	Borjesson .....	D7/349
D724,889 S *	3/2015	Borjesson .....	D7/349
D747,912 S *	1/2016	Funnell, II .....	D7/348
D750,414 S *	3/2016	Funnell, II .....	D7/348

\* cited by examiner

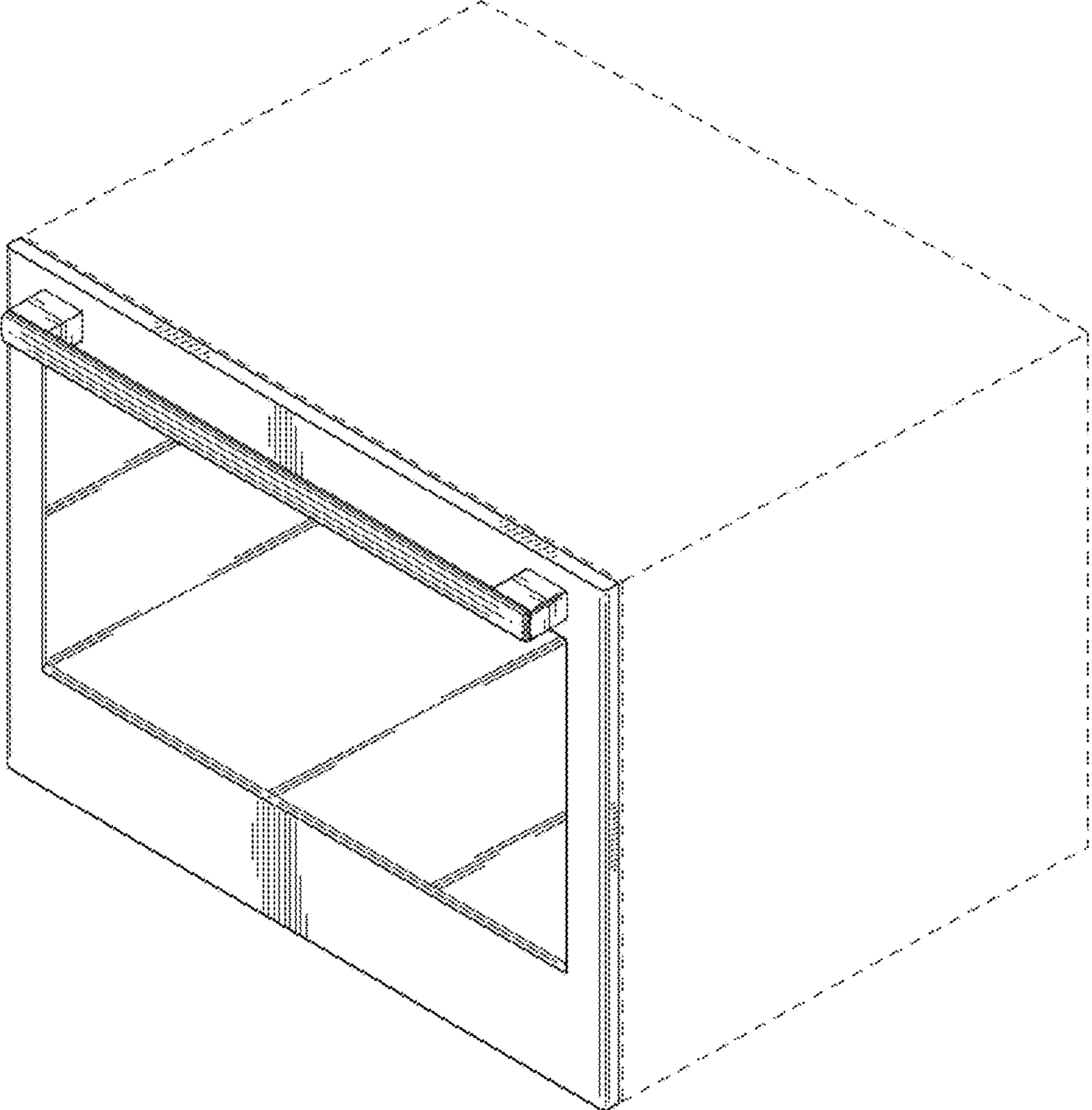


FIG. 1

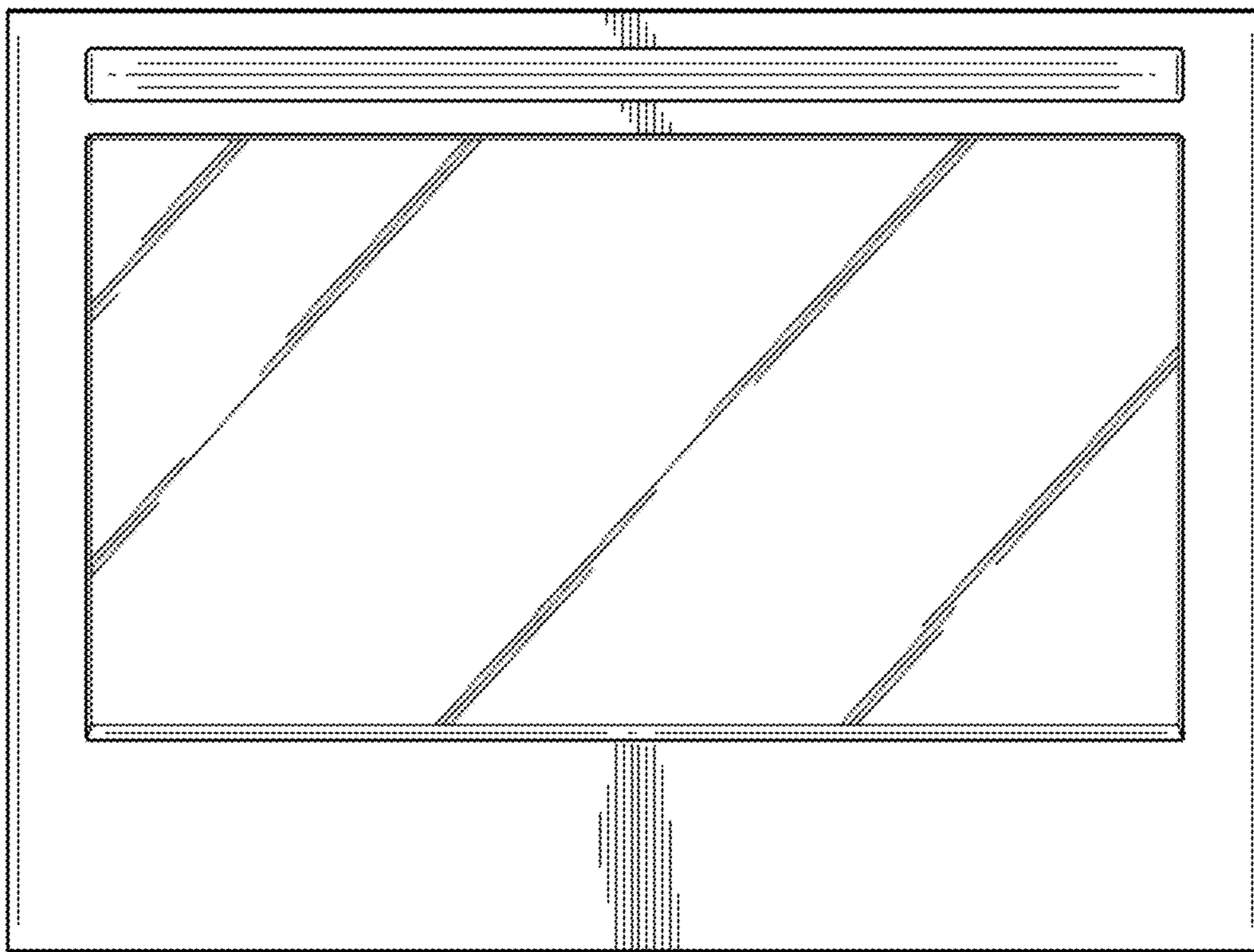


FIG. 2

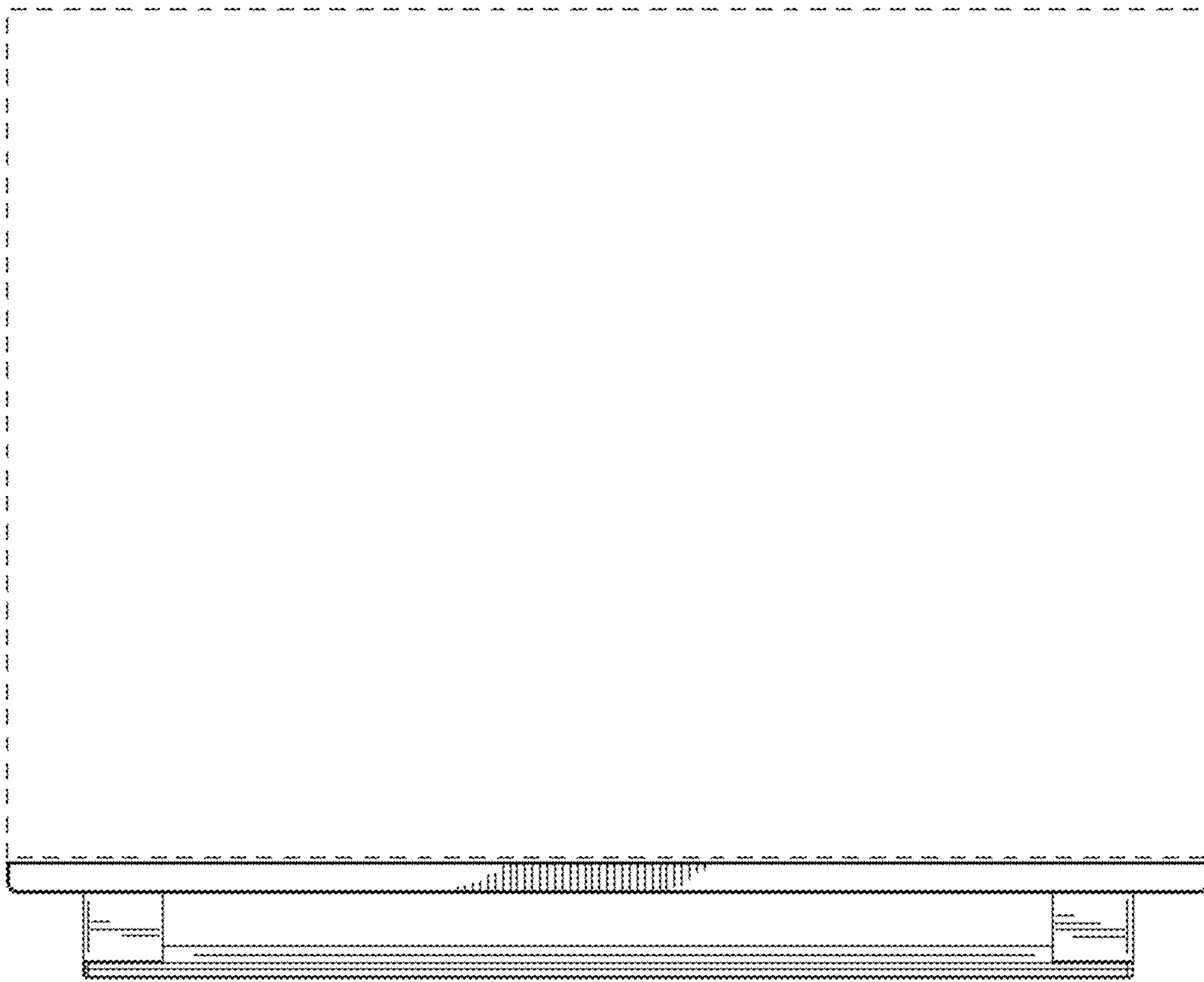


FIG. 3

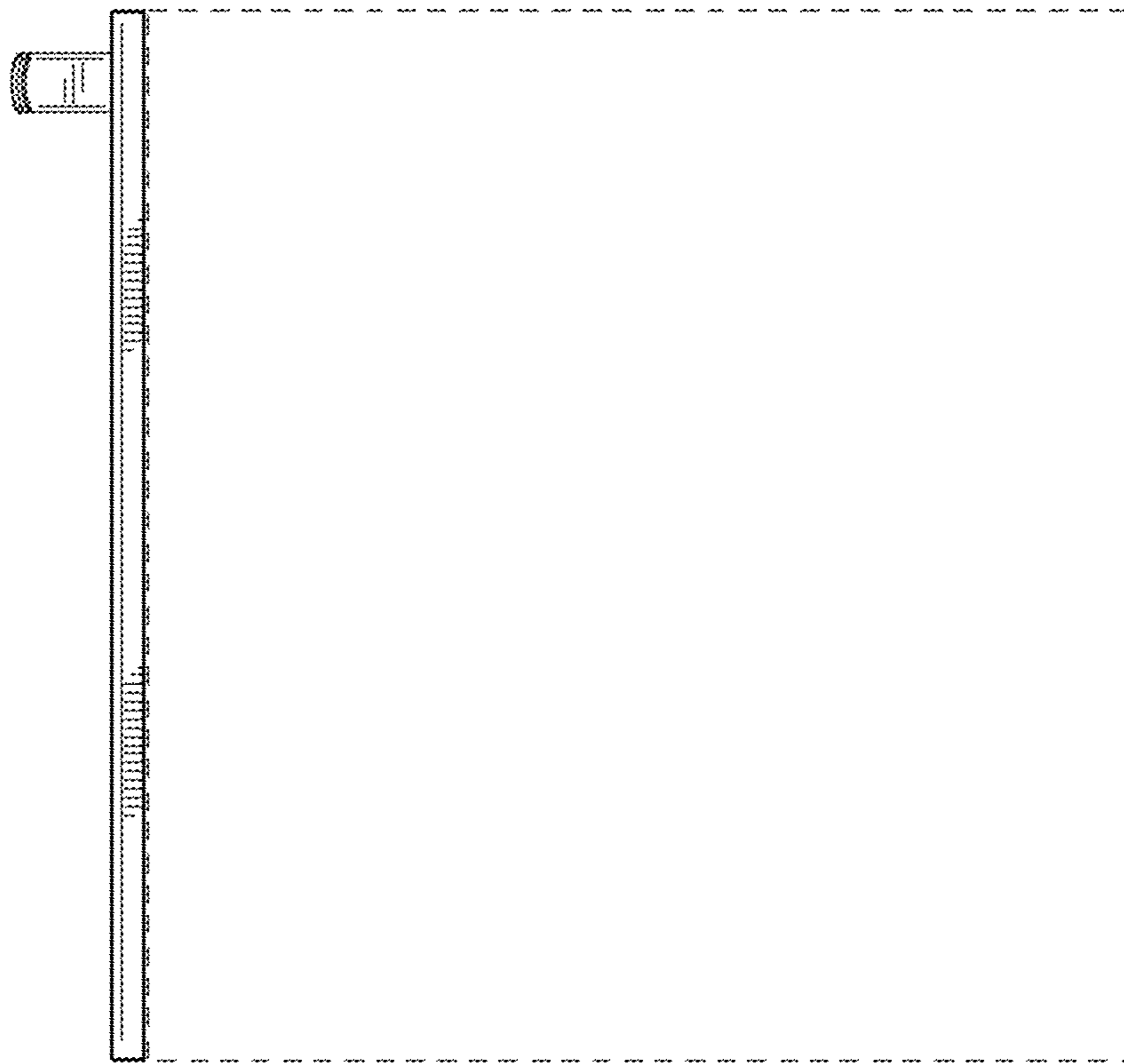


FIG. 4

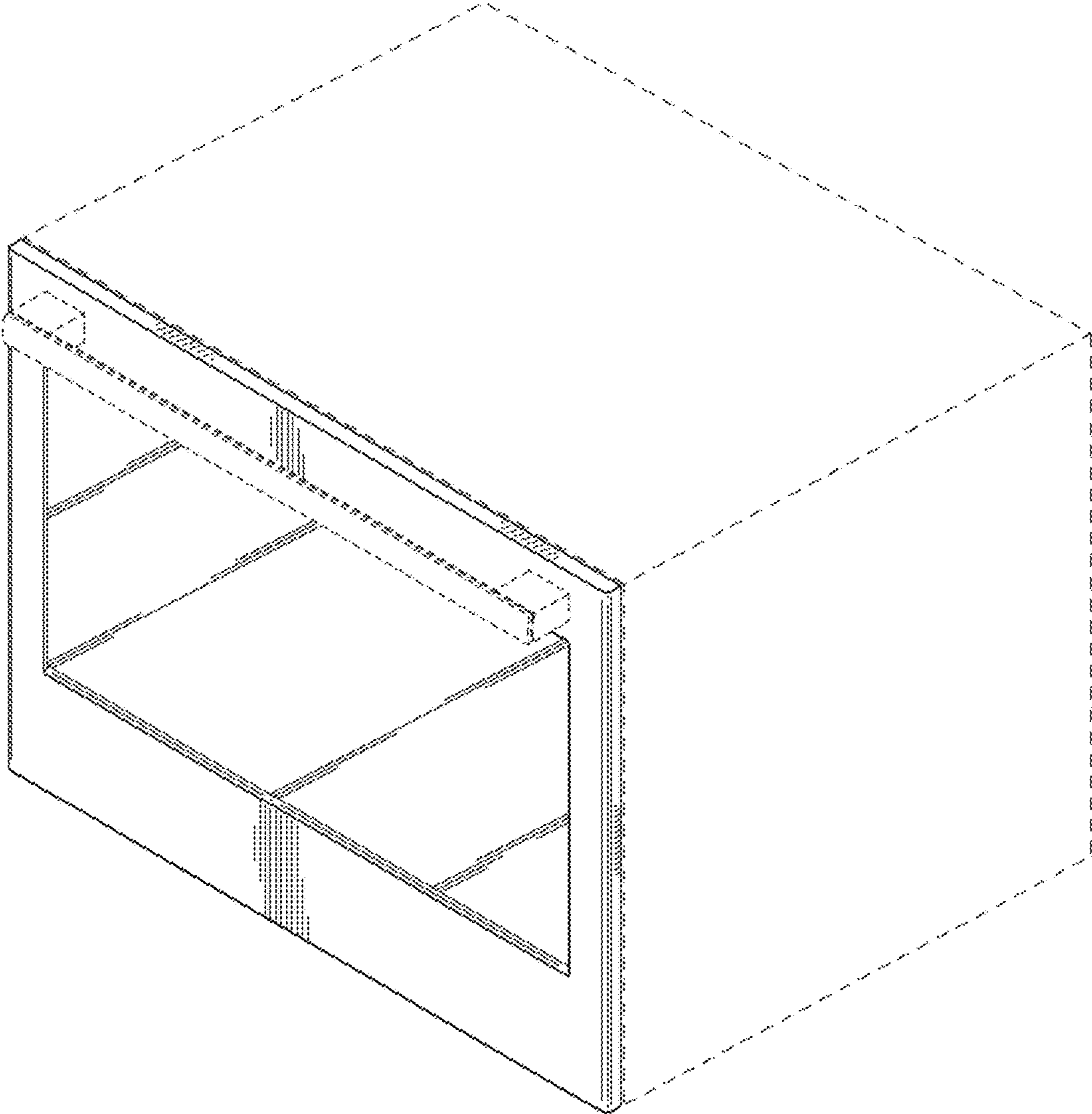


FIG. 5

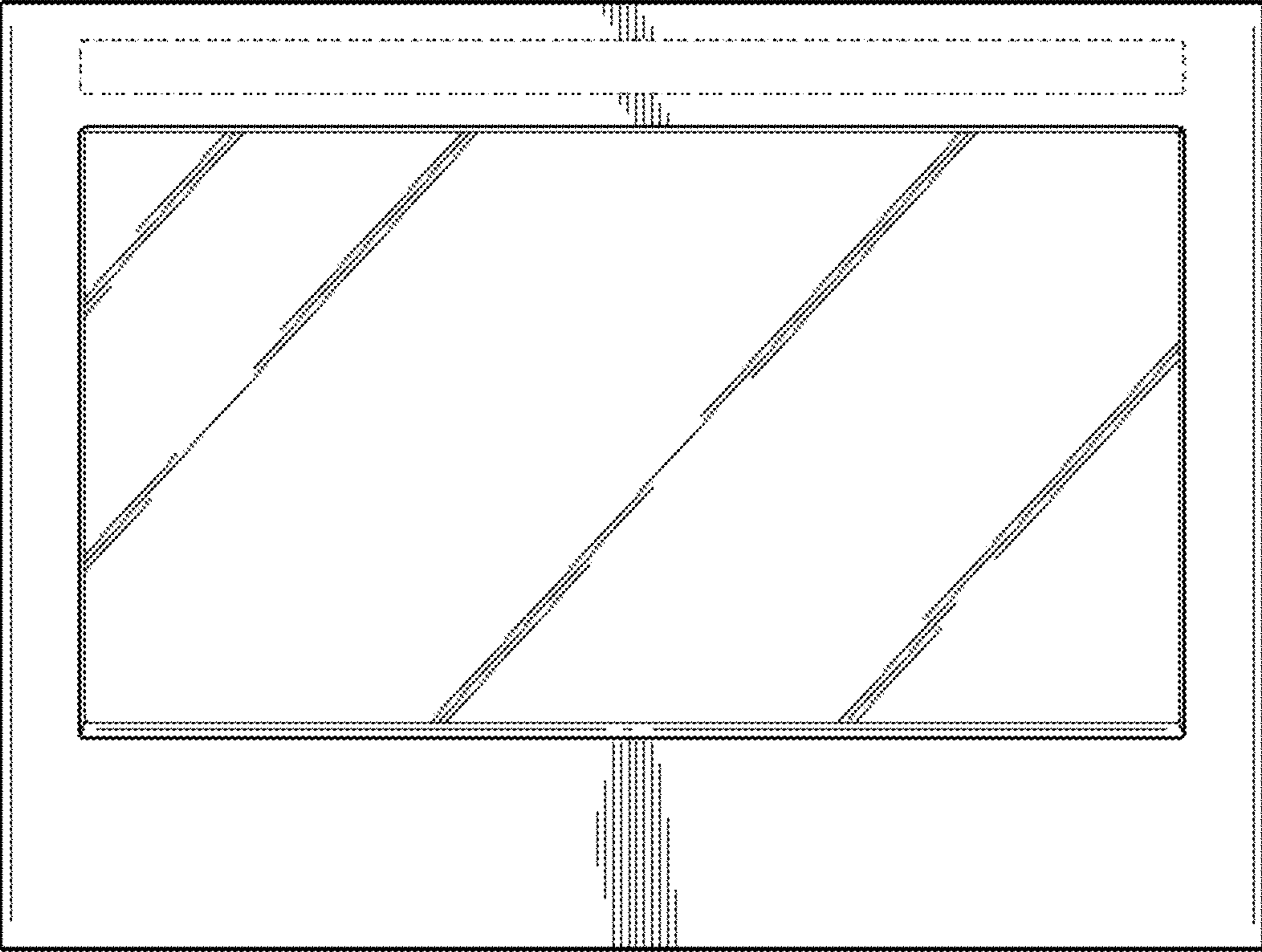


FIG. 6



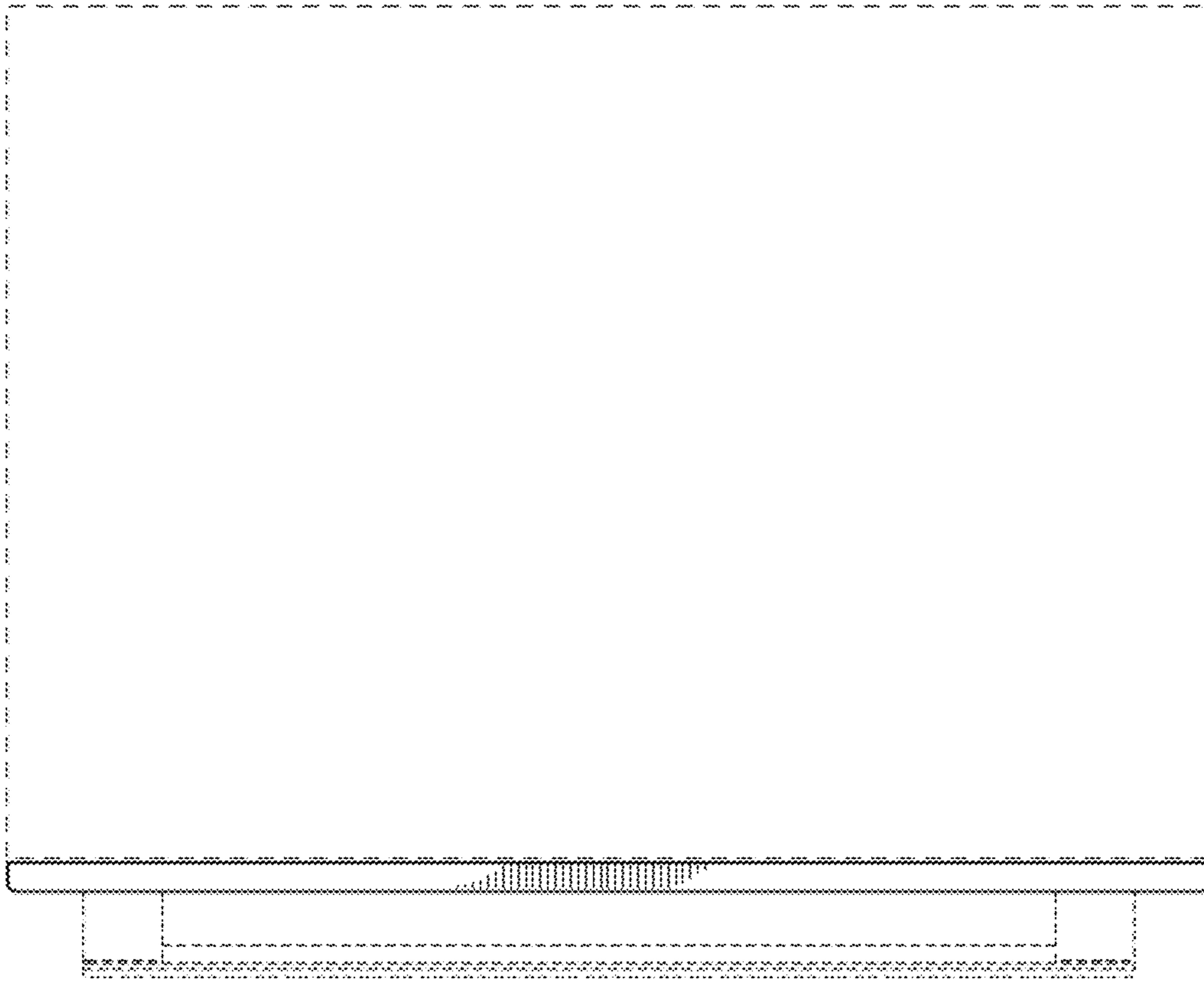


FIG. 7

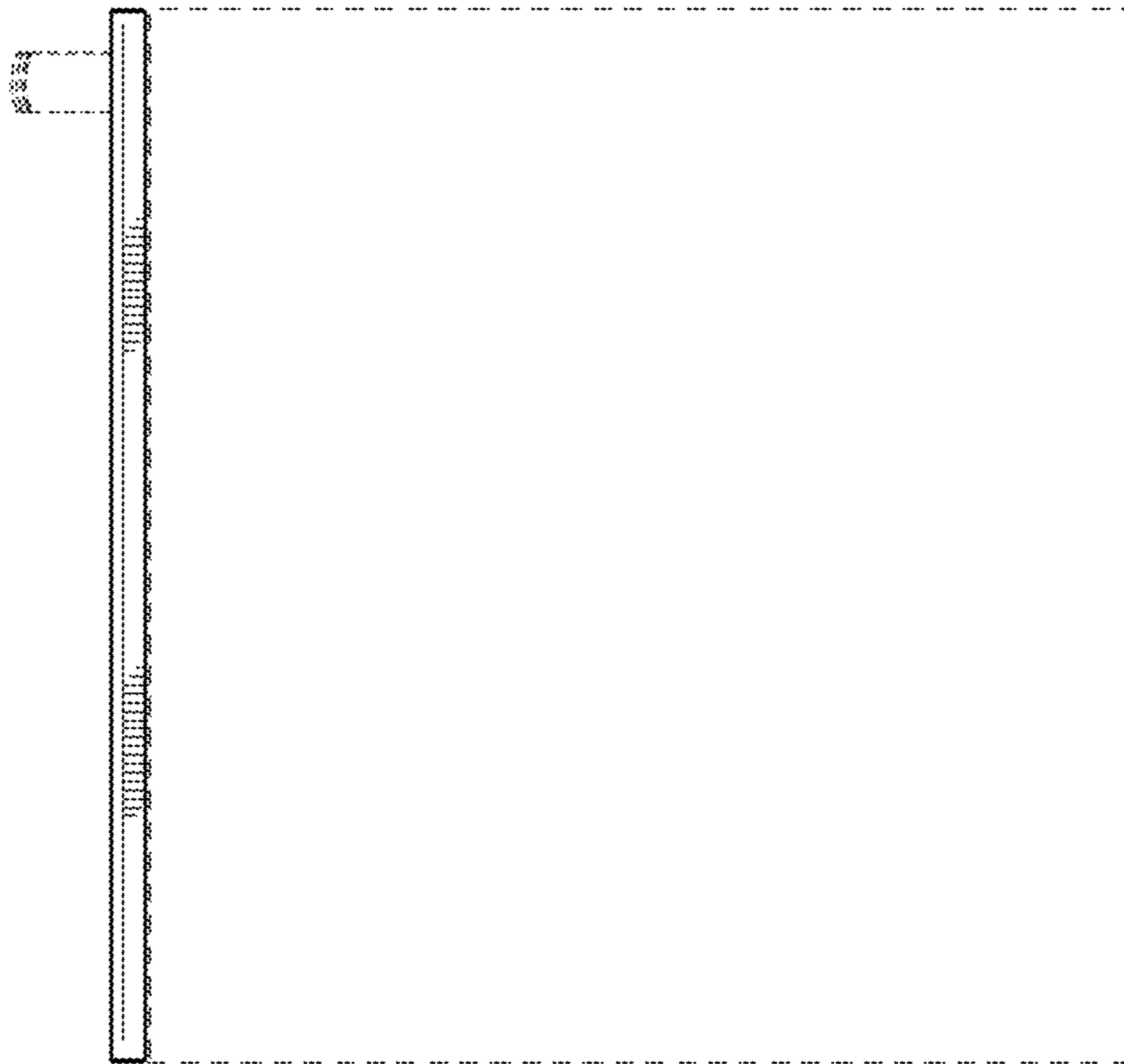


FIG. 8