



US00D786609S

(12) **United States Design Patent**  
**Cho et al.**

(10) **Patent No.:** **US D786,609 S**

(45) **Date of Patent:** **\*\* May 16, 2017**

(54) **GAS OVEN RANGE**

(56) **References Cited**

(71) Applicant: **LG ELECTRONICS INC.**, Seoul (KR)

U.S. PATENT DOCUMENTS

(72) Inventors: **Sangwoog Cho**, Seoul (KR); **Sooyeon Kim**, Seoul (KR); **Jaehun Chung**, Seoul (KR)

D530,972	S	*	10/2006	Park	.....	D7/340
D560,955	S	*	2/2008	Shin	.....	D7/340
D578,823	S	*	10/2008	Kim	.....	D7/340
D610,863	S	*	3/2010	Kim	.....	D7/340
D653,900	S	*	2/2012	Kim	.....	D7/340
D655,128	S	*	3/2012	Kim	.....	D7/340
D685,602	S	*	7/2013	Lee	.....	D7/340
D697,358	S	*	1/2014	Kim	.....	D7/340
D700,469	S	*	3/2014	Reay	.....	D7/340
D731,845	S	*	6/2015	Kim	.....	D7/340
2004/0200825	A1	*	10/2004	Ahuja	.....	F24C 15/325 219/446.1
2014/0251158	A1	*	9/2014	Yang	.....	A47J 27/04 99/341
2015/0285514	A1	*	10/2015	Wie	.....	F24B 1/02 126/21 A

(73) Assignee: **LG ELECTRONICS INC.**, Seoul (KR)

(\*\*) Term: **15 Years**

(21) Appl. No.: **29/534,852**

(22) Filed: **Jul. 31, 2015**

(30) **Foreign Application Priority Data**

Feb. 3, 2015 (KR) ..... 30-2015-0005911

(51) **LOC (10) Cl.** ..... **07-02**

(52) **U.S. Cl.**  
USPC ..... **D7/340; D7/339; D7/348**

(58) **Field of Classification Search**  
USPC ..... **D7/323, 328-330, 339-349, 390,  
D7/402-406; D8/300-306**

CPC ... **A21B 2/00; A47J 27/04; A47J 37/00; A47J  
37/06; A47J 37/0611; A47J 37/08; A47J  
37/0807; A47J 37/0814; A47J 37/0835;  
A47J 37/0842; A47J 37/085; A47J  
37/0864; A47J 37/0878; A47J 37/0885;  
A47J 37/0892; F24B 1/02; F24C 7/00;  
F24C 7/002; F24C 7/046; F24C 7/067;  
F24C 15/02; F24C 15/04; F24C 15/10;  
F24C 15/102; F24C 15/107; F24C 15/325**

See application file for complete search history.

\* cited by examiner

*Primary Examiner* — Ricky Pham

(74) *Attorney, Agent, or Firm* — Birch, Stewart, Kolasch & Birch, LLP

(57) **CLAIM**

We claim the ornamental design for a gas oven range, as shown and described.

**DESCRIPTION**

FIG. 1 is a perspective view of a gas oven range showing our new design;  
FIG. 2 is a front elevation view thereof;  
FIG. 3 is a rear elevation view thereof;  
FIG. 4 is a left-side elevation view thereof;  
FIG. 5 is a right-side elevation view thereof;  
FIG. 6 is a top plan view thereof; and,  
FIG. 7 is a bottom plan view thereof.

**1 Claim, 6 Drawing Sheets**

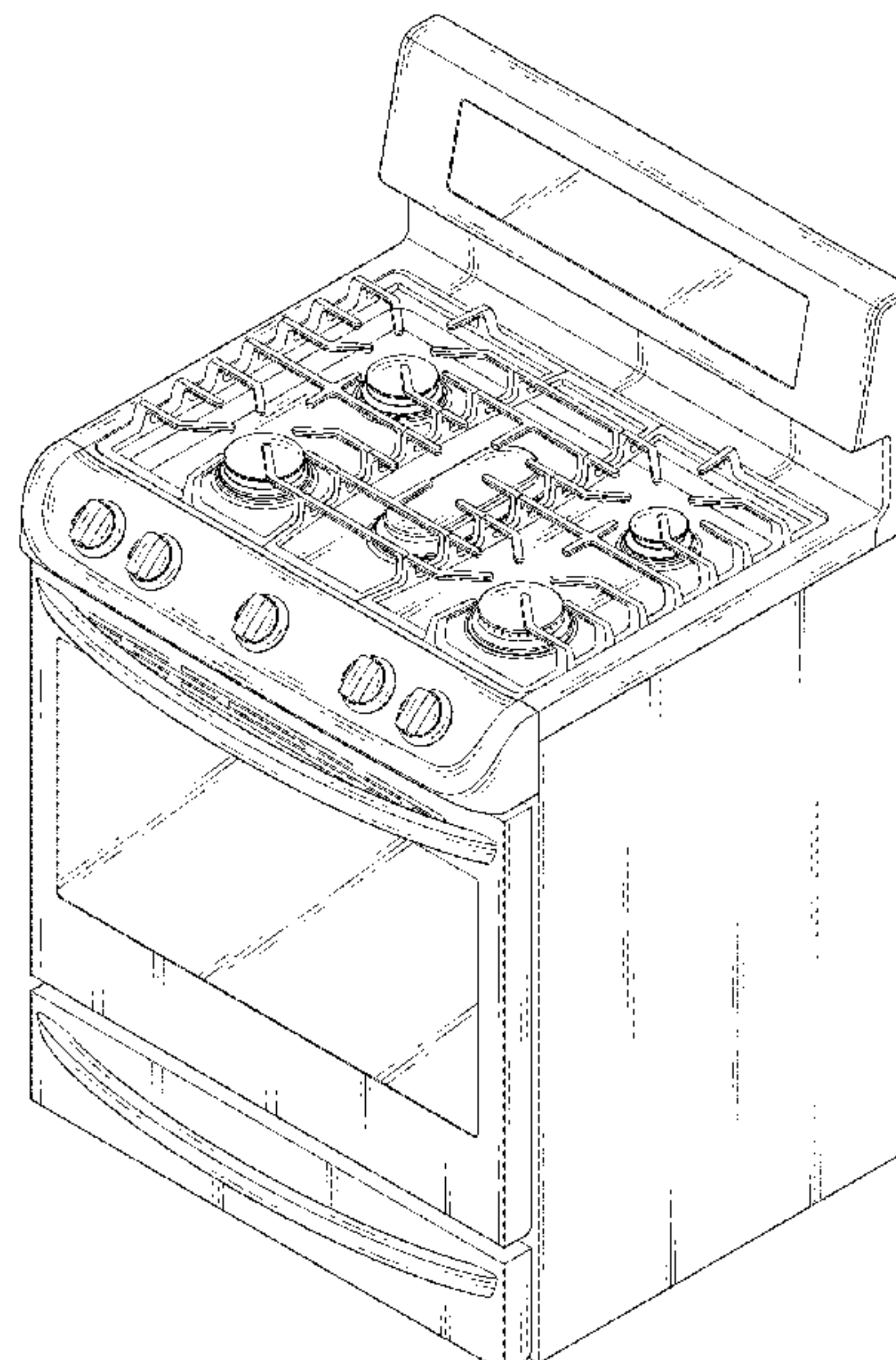


FIG. 1

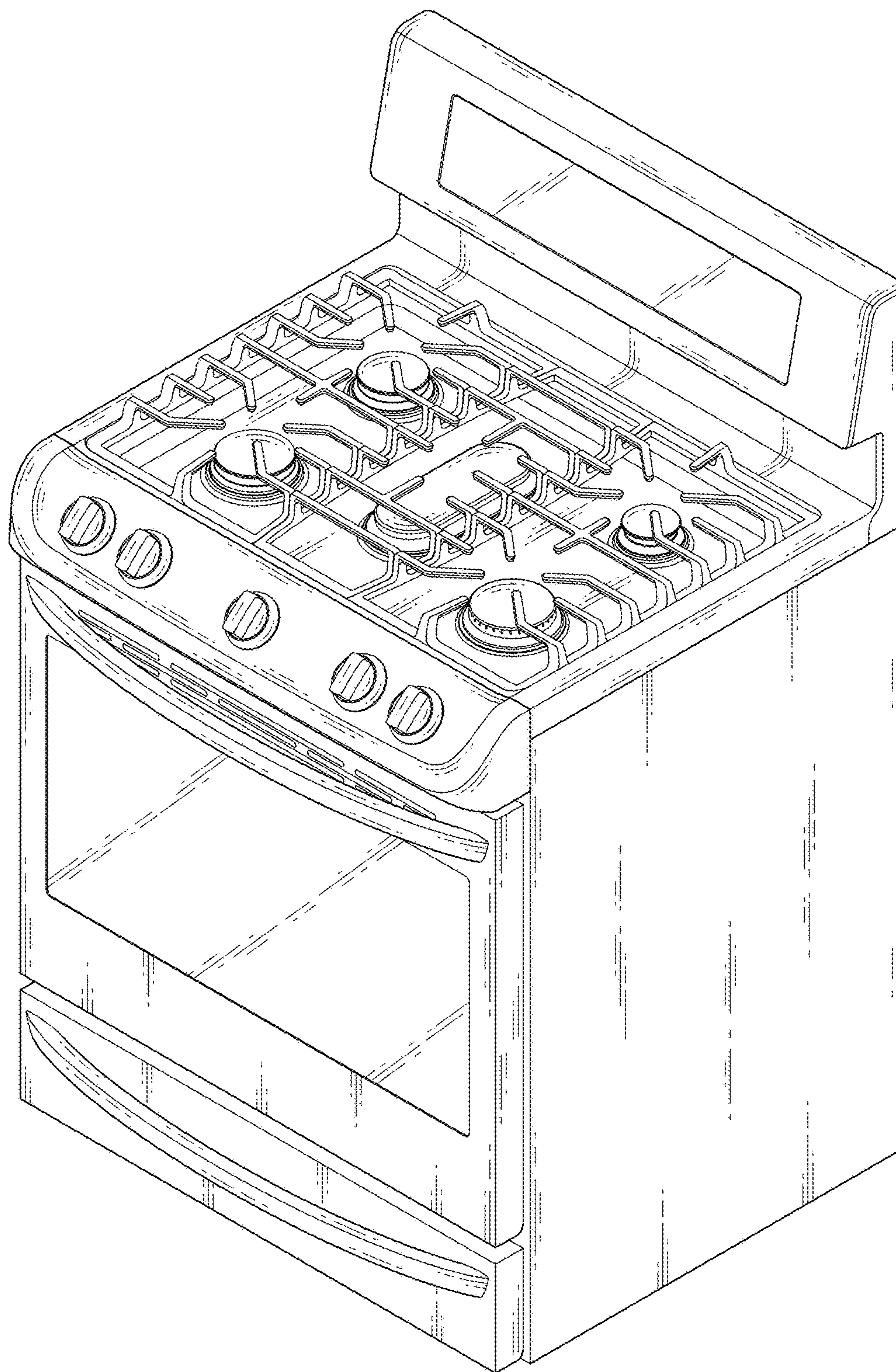




FIG. 2

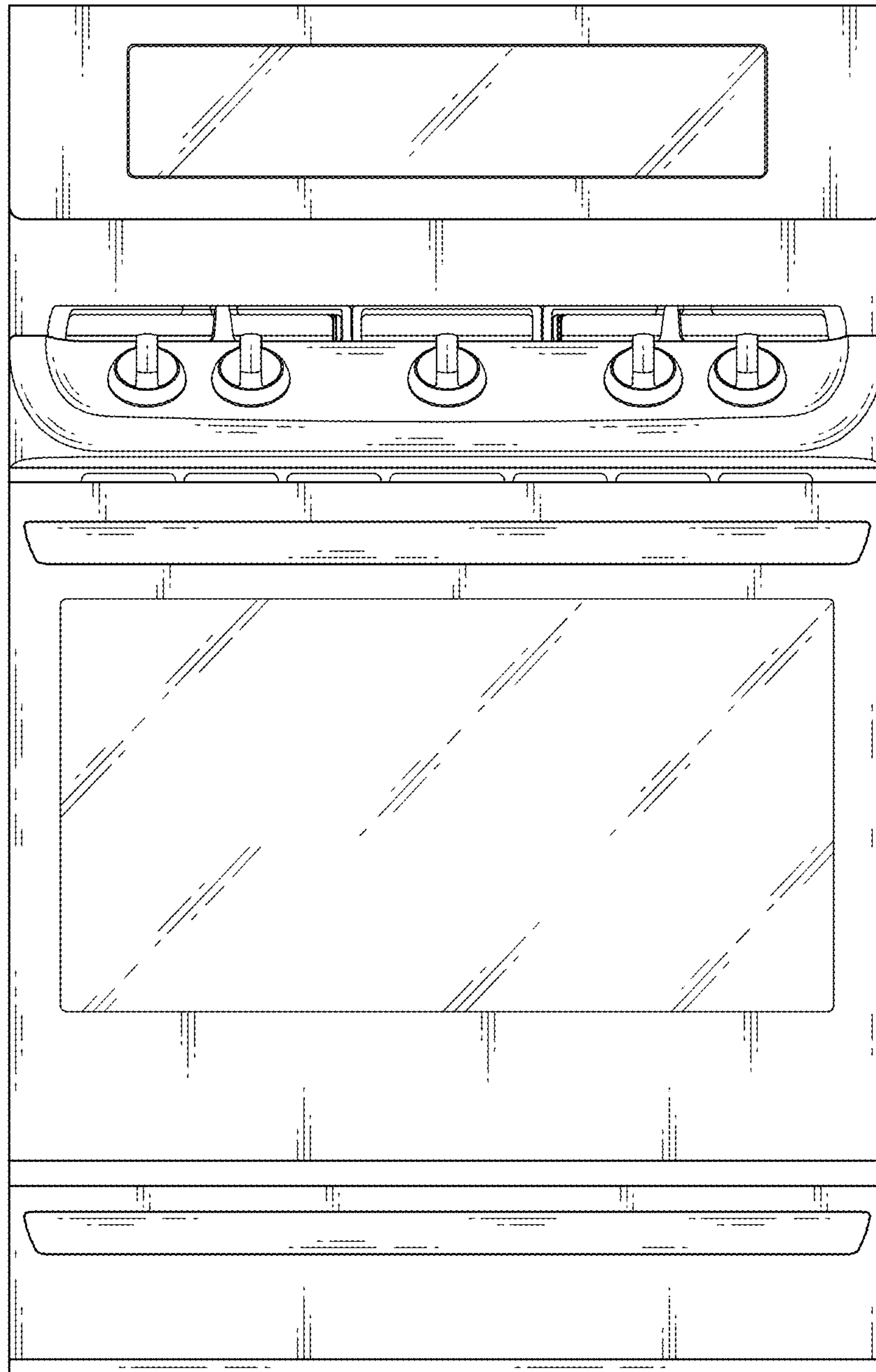


FIG. 3

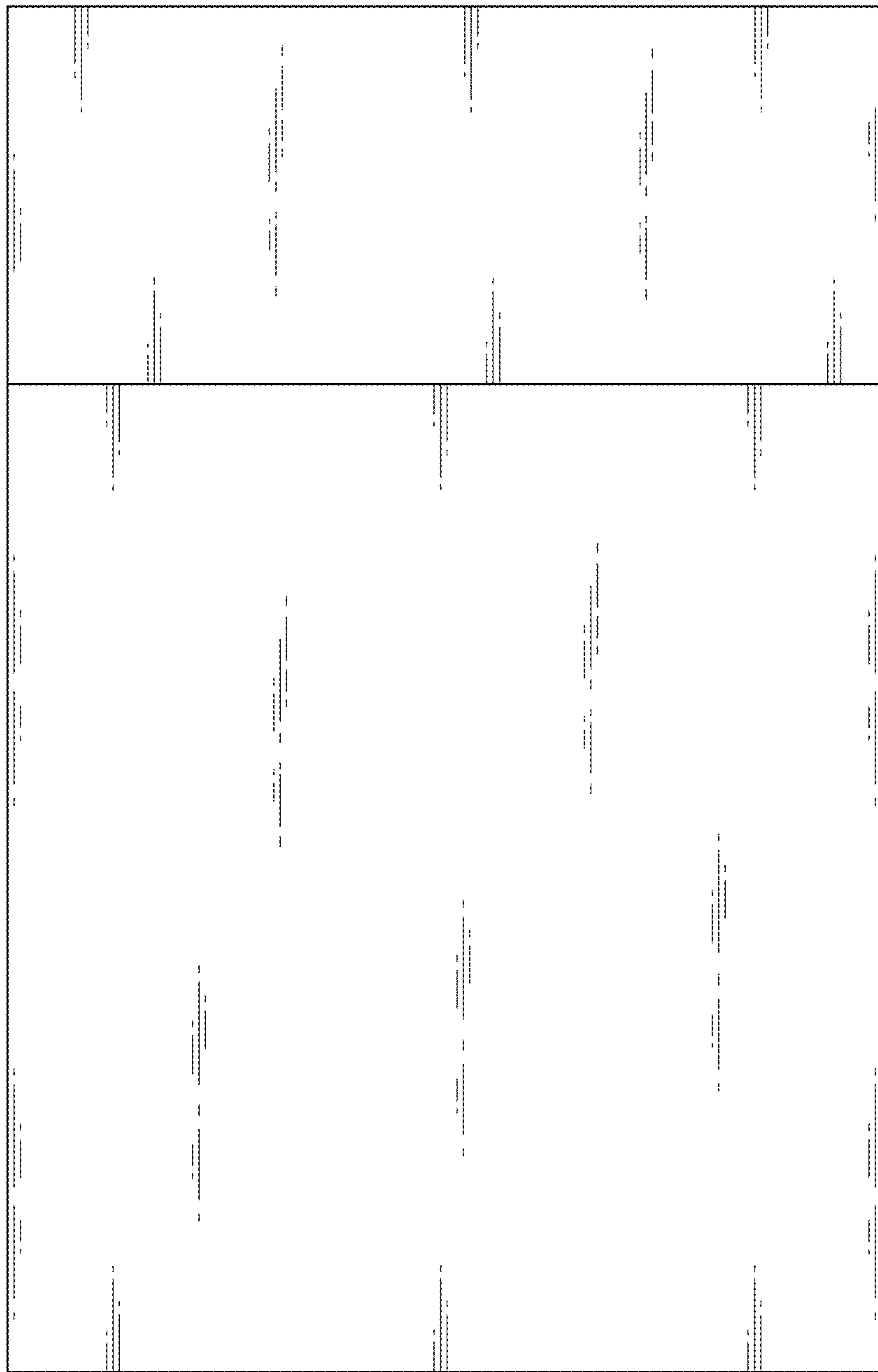


FIG. 4

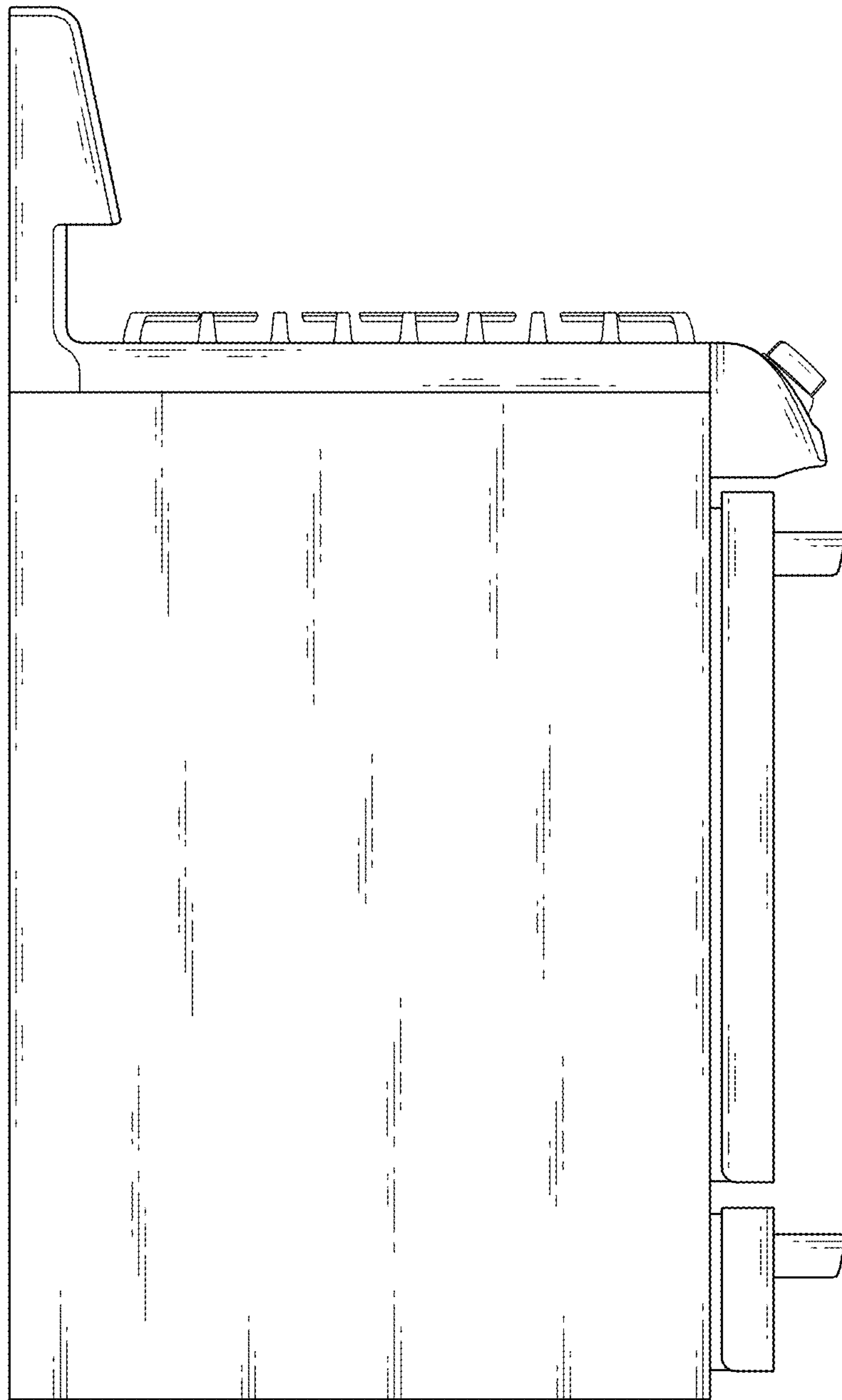


FIG. 5

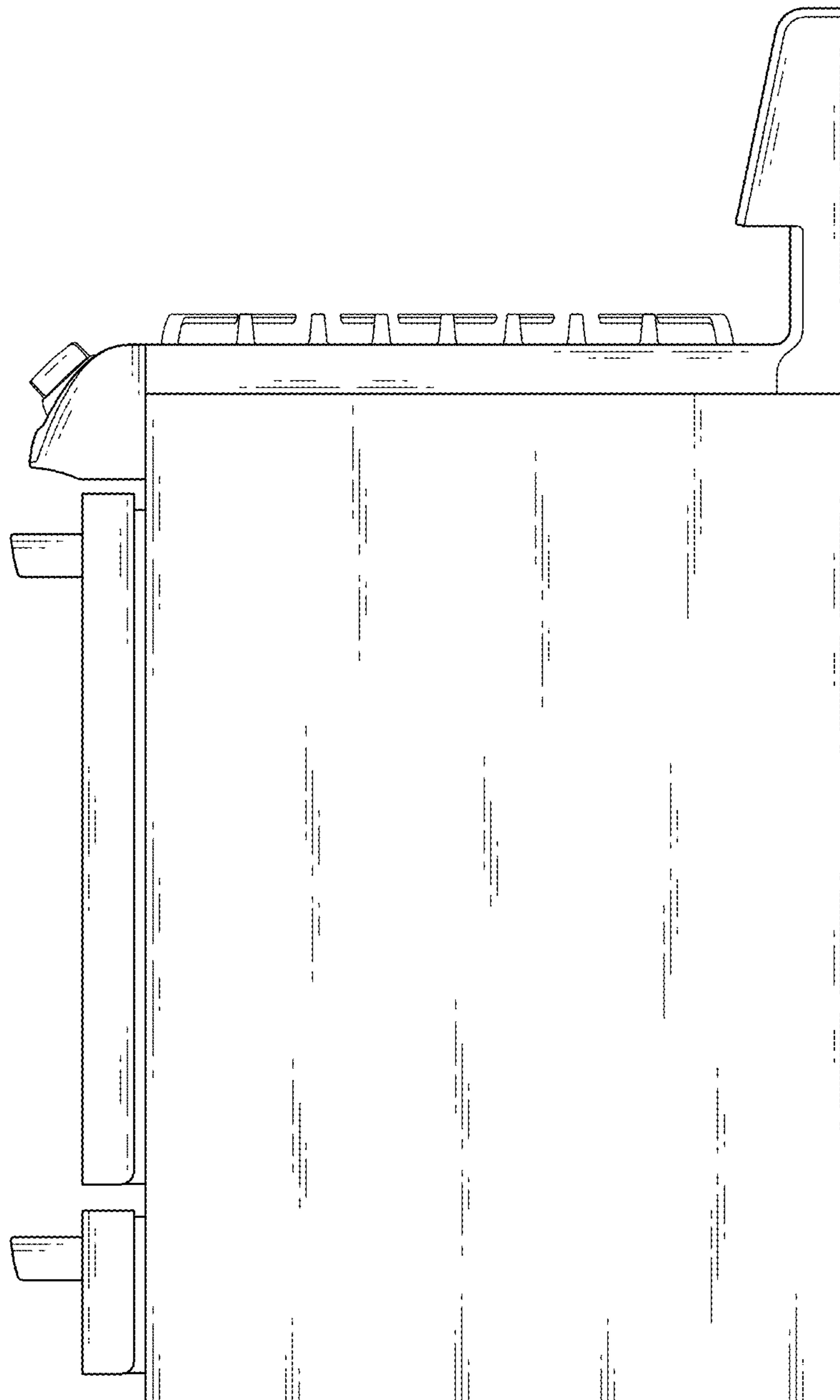


FIG. 6

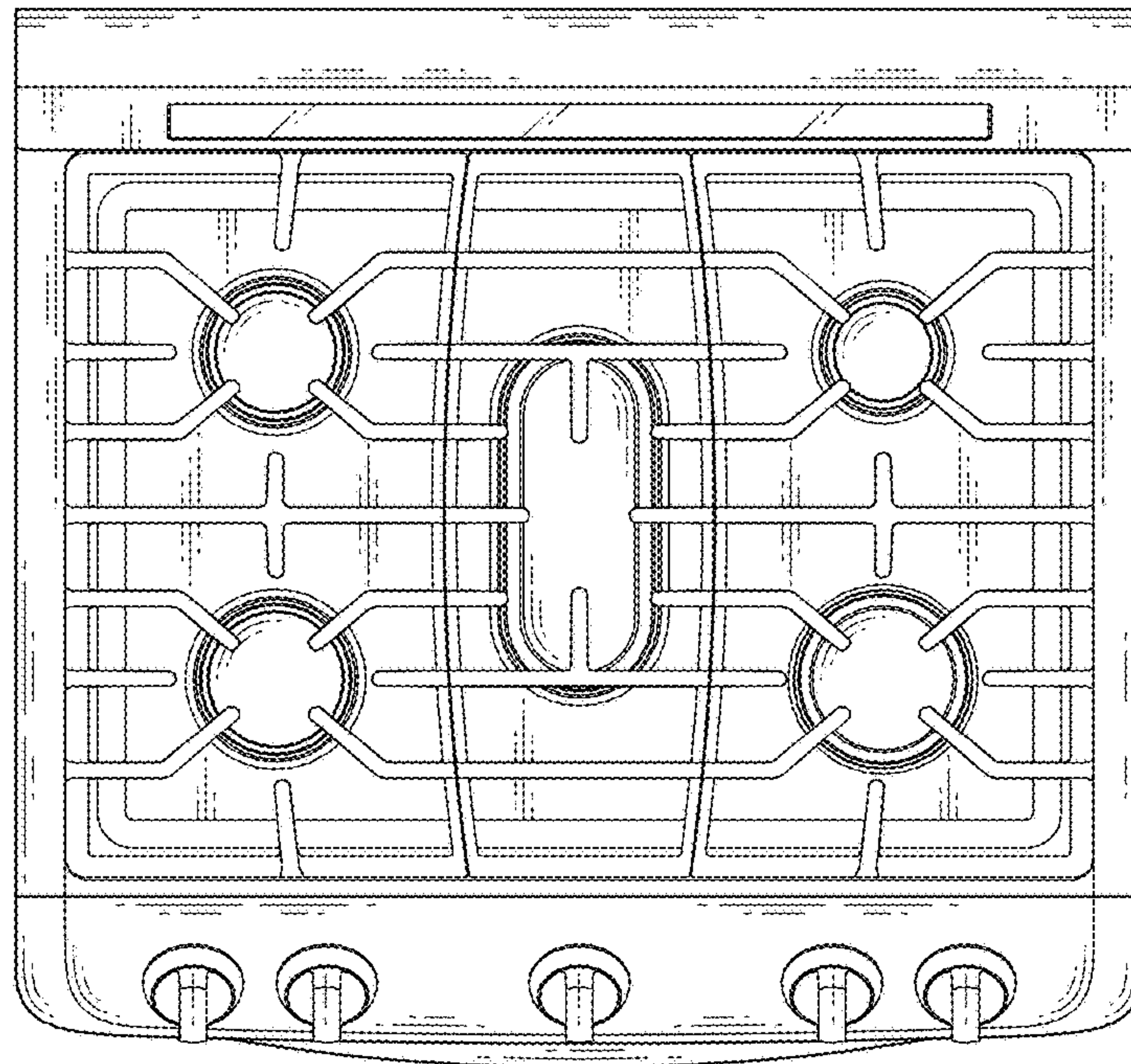


FIG. 7

