



US00D786607S

(12) **United States Design Patent**  
**Maddux**

(10) **Patent No.:** **US D786,607 S**

(45) **Date of Patent:** **\*\* May 16, 2017**

(54) **FOOD TRANSPORT CONTAINER**  
(71) Applicant: **CAMBRO MANUFACTURING COMPANY**, Huntington Beach, CA (US)  
(72) Inventor: **Larry Maddux**, Westminster, CA (US)  
(73) Assignee: **CAMBRO MANUFACTURING COMPANY**, Huntington Beach, CA (US)

5,159,177 A \* 10/1992 Kinberger ..... A47J 47/14  
219/386  
6,222,160 B1 \* 4/2001 Remke ..... A45C 11/20  
219/387  
7,134,552 B1 \* 11/2006 McDonagh ..... A47J 47/14  
206/545  
7,891,493 B2 \* 2/2011 Dege ..... A45C 11/20  
206/545  
D651,860 S \* 1/2012 Nie ..... D7/605  
D697,685 S \* 1/2014 Maddux ..... D34/19  
D723,237 S \* 2/2015 Maddux ..... D34/12

\* cited by examiner

(\*\*) Term: **15 Years**

*Primary Examiner* — Terry Wallace

(21) Appl. No.: **29/559,686**

(74) *Attorney, Agent, or Firm* — George F. Bethel

(22) Filed: **Mar. 30, 2016**

(51) **LOC (10) Cl.** ..... **07-01**

(57) **CLAIM**

(52) **U.S. Cl.**  
USPC ..... **D7/323; D7/605**

I claim the ornamental design for a food transport container, as shown and described.

(58) **Field of Classification Search**  
USPC ..... D7/605, 323, 368  
CPC .... F25D 3/08; F25D 3/107; F25D 3/14; A47J 41/005; A47J 41/0044; A47J 47/14; A47J 39/006; A47J 39/00; A47J 39/003; A45C 11/20  
See application file for complete search history.

**DESCRIPTION**

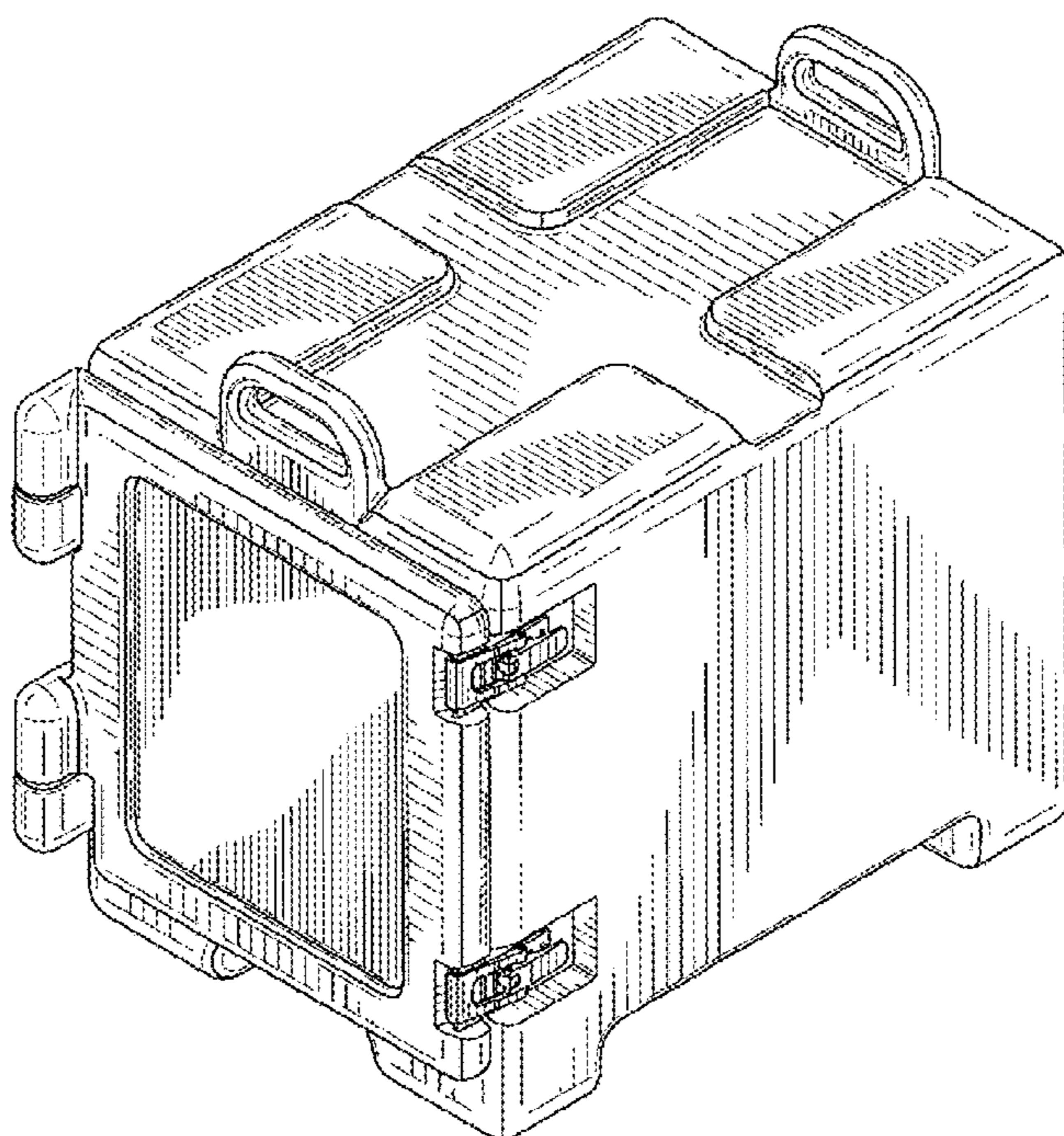
FIG. 1 is a frontal right side perspective view of the food transport container.  
FIG. 2 is a right side elevation view.  
FIG. 3 is a front elevation view.  
FIG. 4 is a left side elevation view.  
FIG. 5 is a rear elevation view.  
FIG. 6 is a top plan view; and,  
FIG. 7 is a bottom plan view of the food transport container.

(56) **References Cited**

**U.S. PATENT DOCUMENTS**

3,992,069 A \* 11/1976 Kitterman ..... A47J 47/14  
294/161  
4,171,151 A \* 10/1979 Luck ..... A47J 47/14  
211/181.1

**1 Claim, 3 Drawing Sheets**



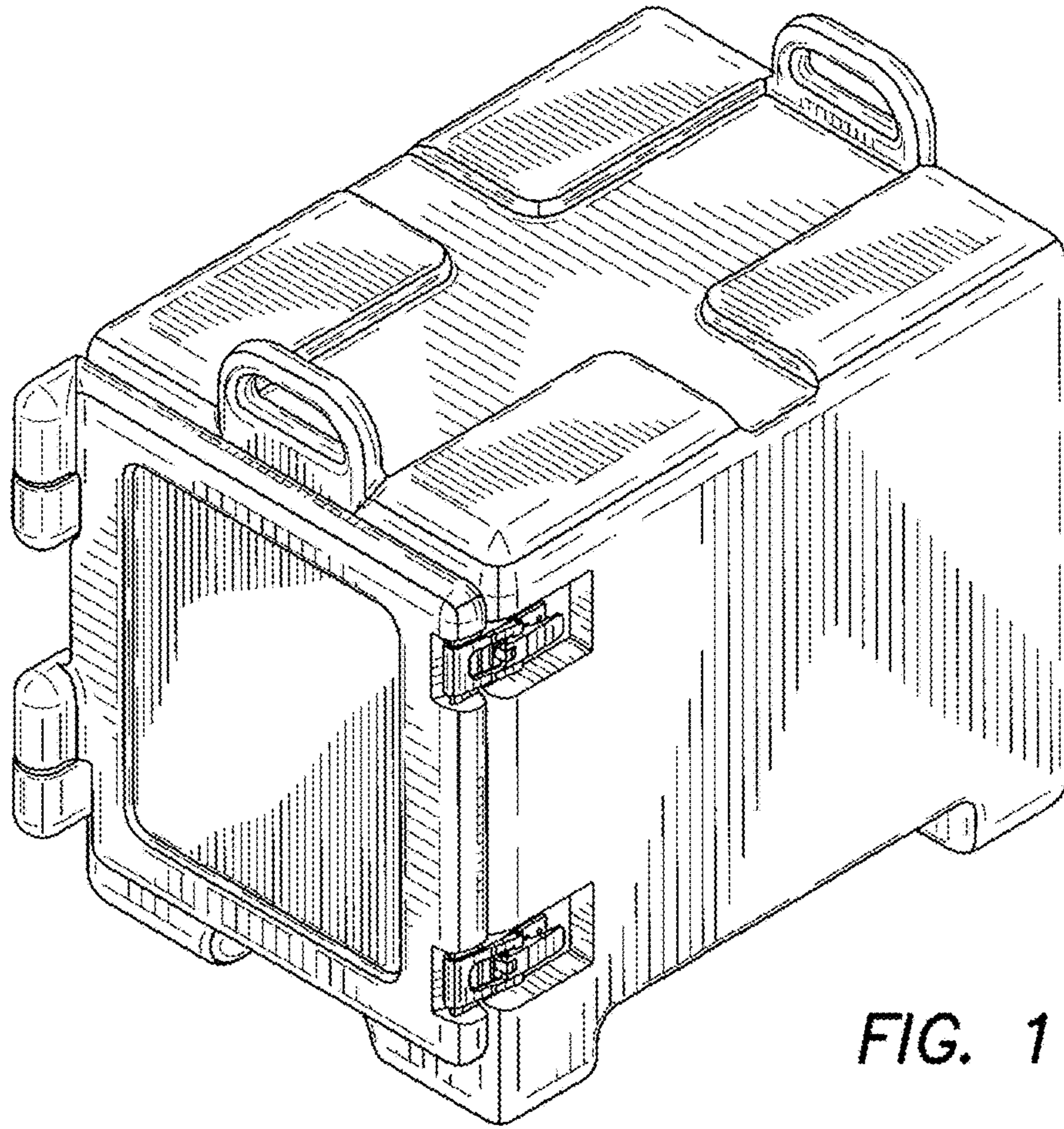


FIG. 1

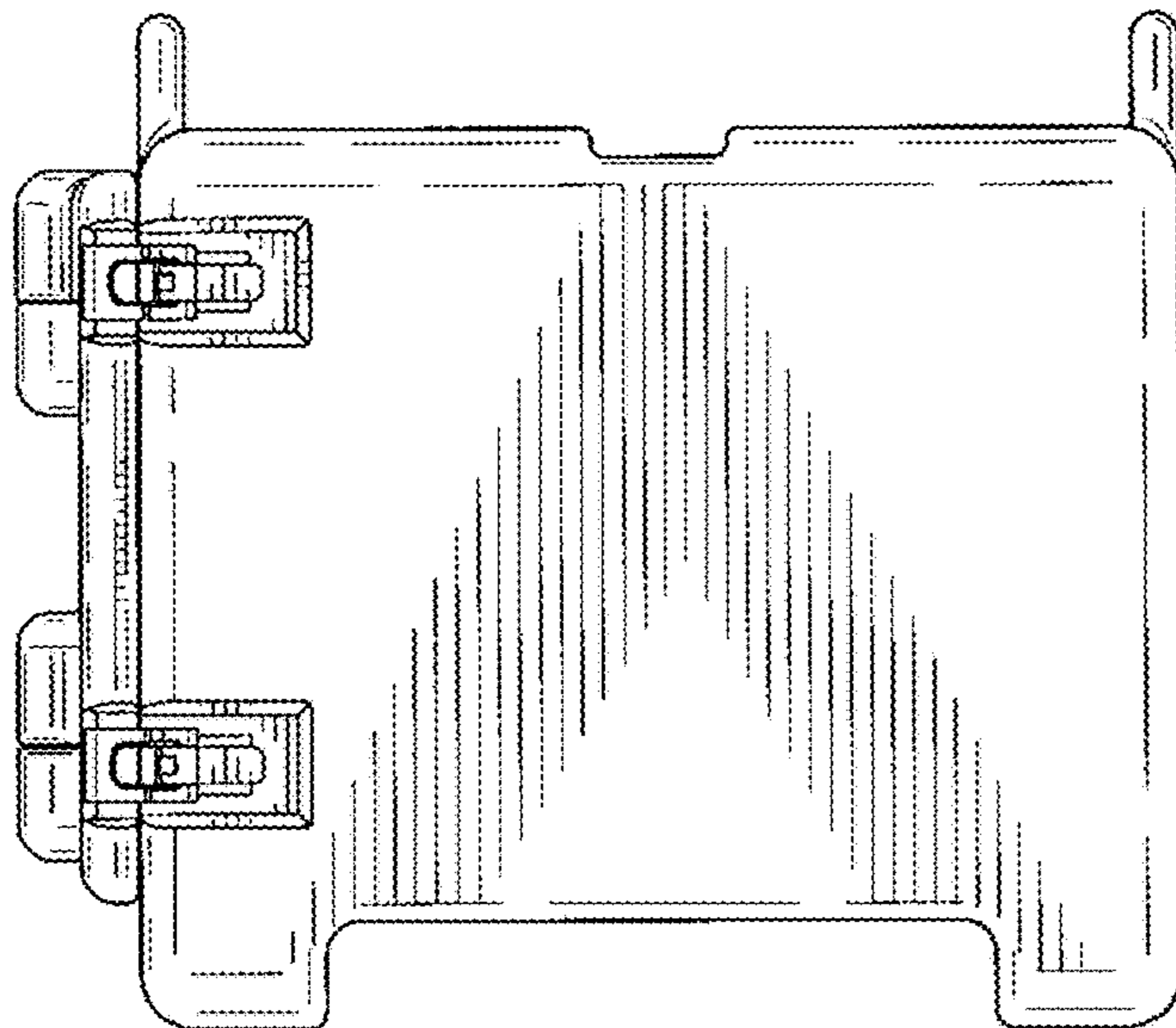


FIG. 2

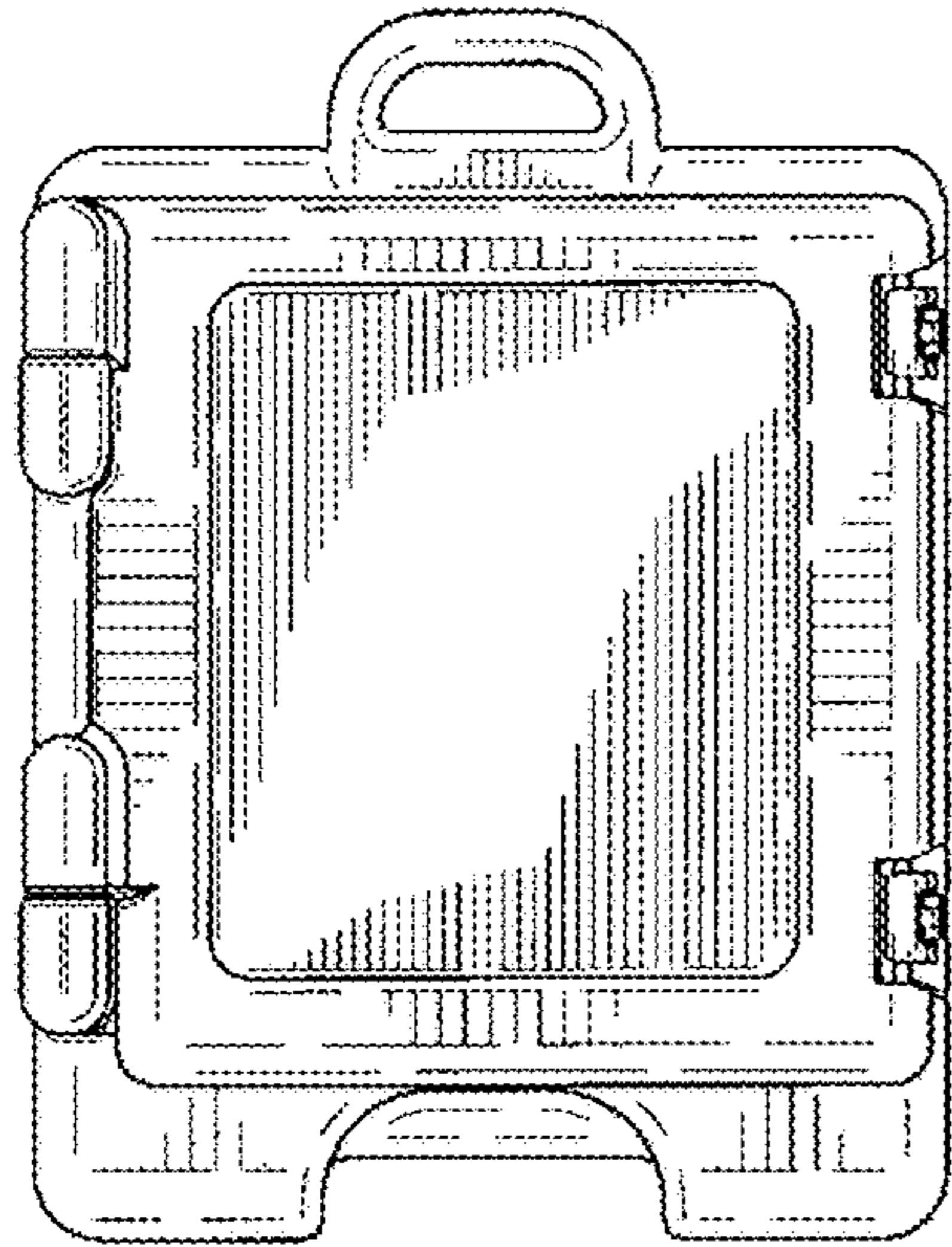


FIG. 3

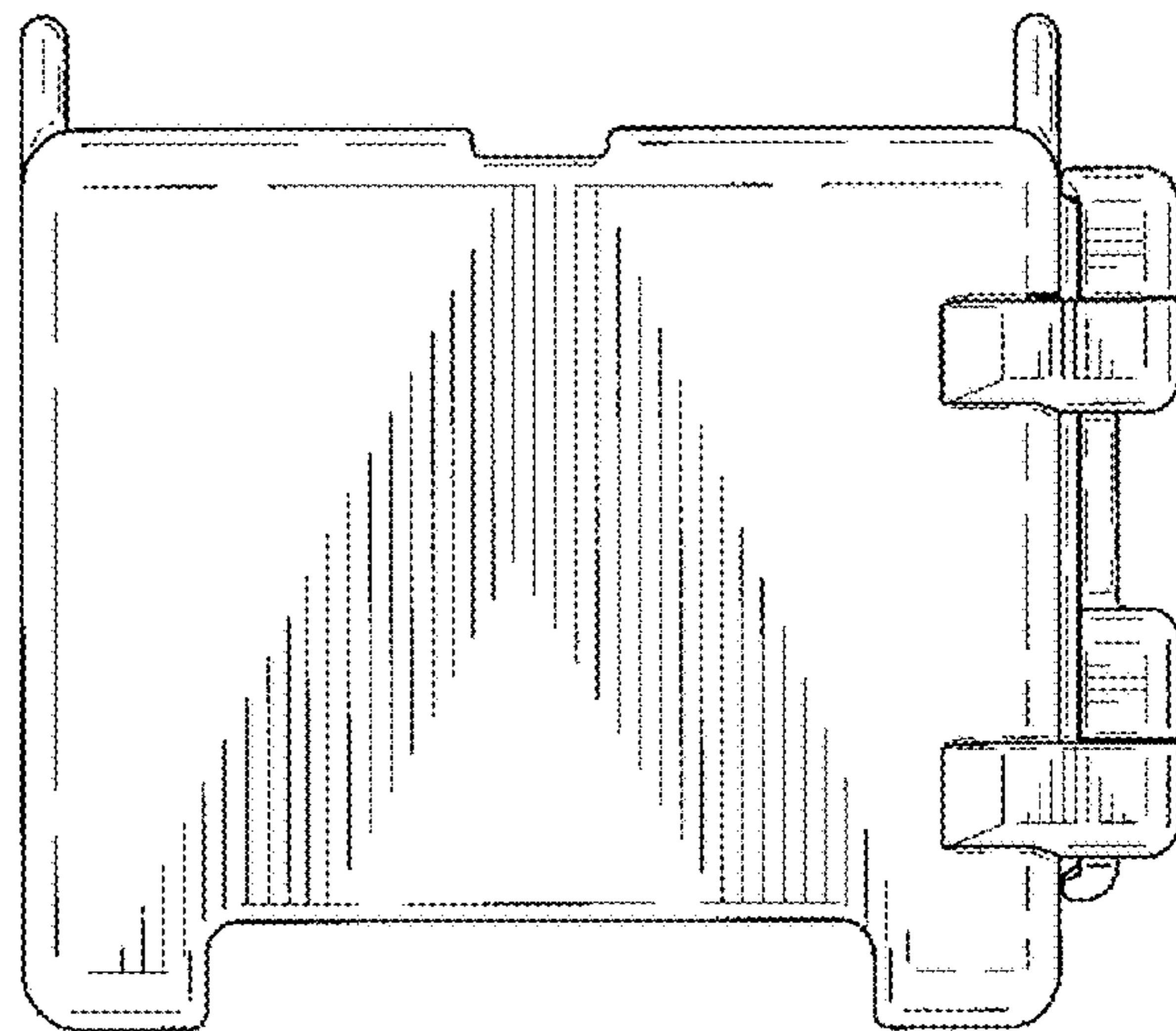


FIG. 4

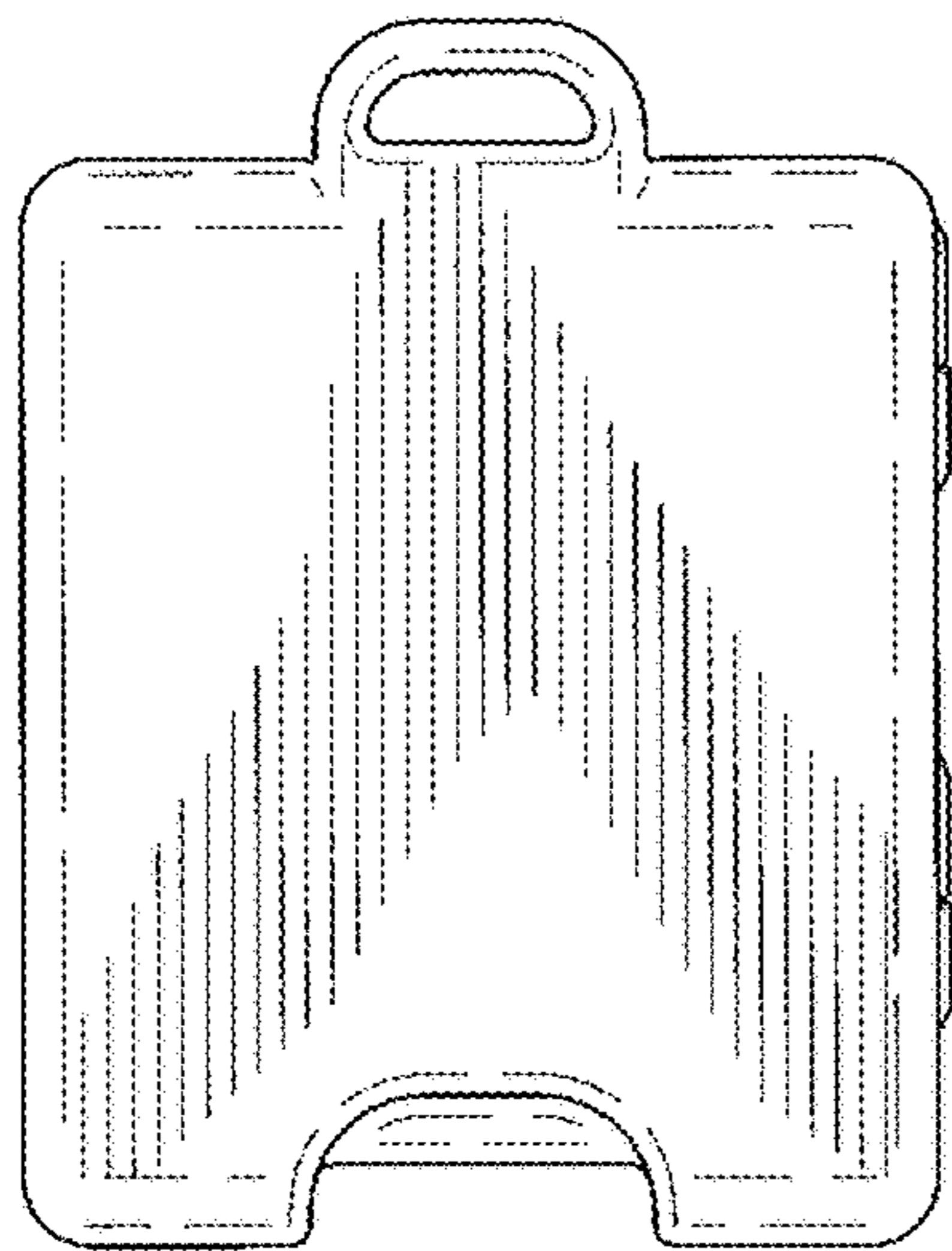


FIG. 5

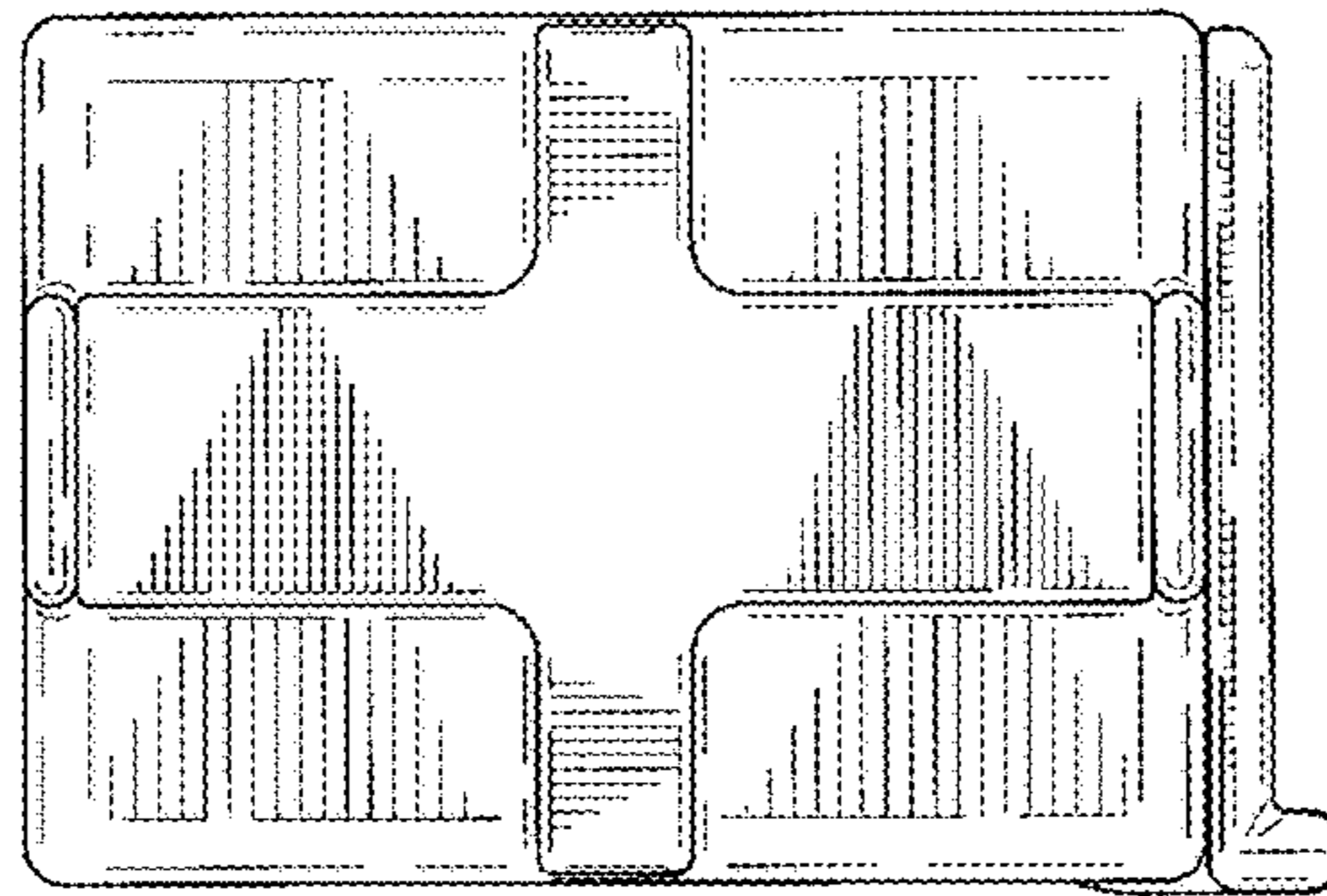


FIG. 6

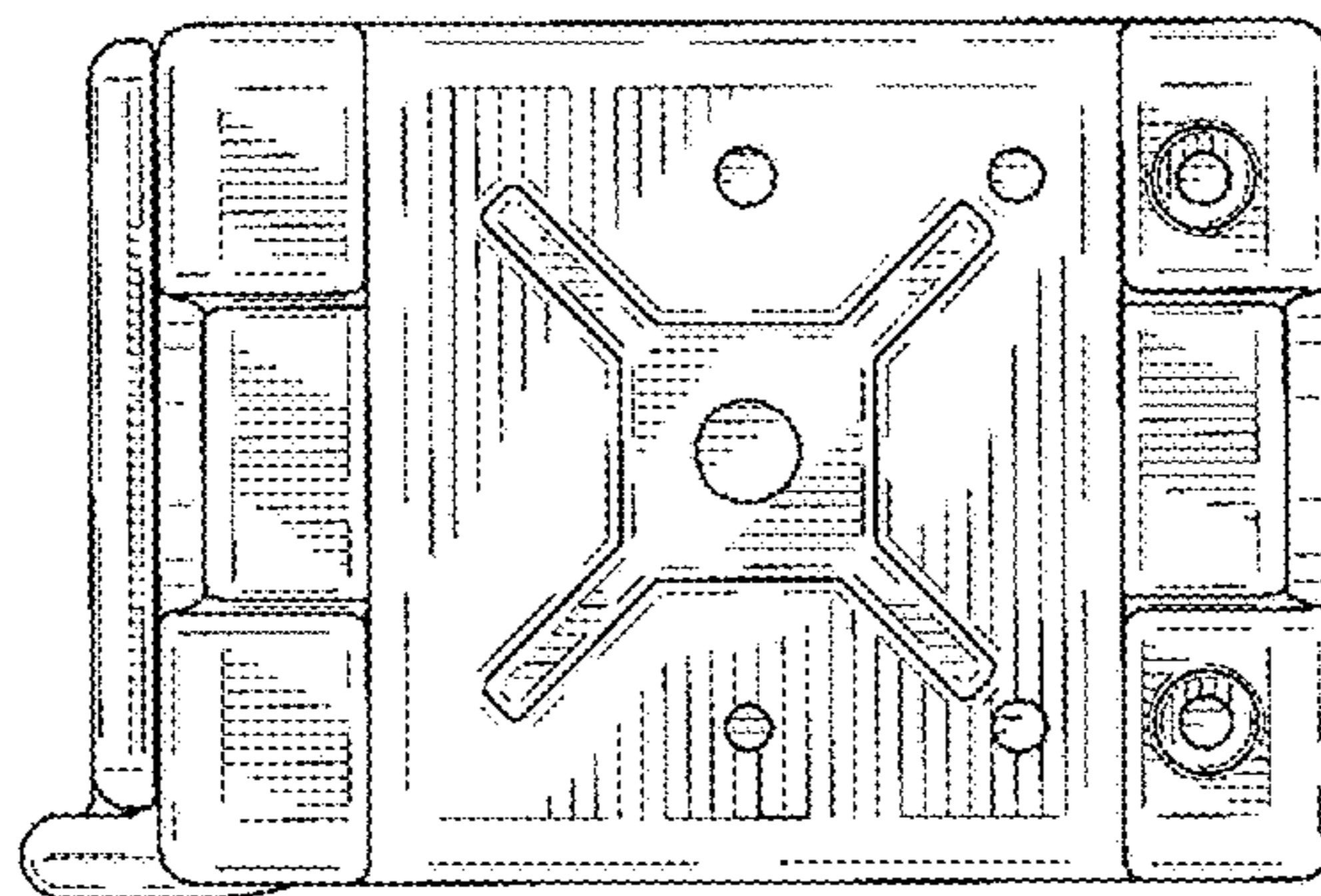


FIG. 7