



US00D786603S

(12) **United States Design Patent**
Palermo et al.

(10) **Patent No.:** **US D786,603 S**

(45) **Date of Patent:** **** May 16, 2017**

(54) **HOT BEVERAGE MAKER**

(71) Applicant: **Sunbeam Products, Inc.**, Boca Raton, FL (US)

(72) Inventors: **Joseph Palermo**, Boynton Beach, FL (US); **Motokimi Yono**, Chicago, IL (US); **Hyung-Seok Lee**, San Jose, CA (US)

(73) Assignee: **Sunbeam Products, Inc.**, Boca Raton, FL (US)

(**) Term: **15 Years**

(21) Appl. No.: **29/569,579**

(22) Filed: **Jun. 29, 2016**

(51) **LOC (10) Cl.** **07-01**

(52) **U.S. Cl.**

USPC **D7/306; D7/311; D7/309**

(58) **Field of Classification Search**

USPC **D7/305-311, 313; D15/82; 222/129.1, 222/146.6; 99/295**

CPC **A47J 31/44; A47J 31/4403; A47J 31/46; B67D 1/36; B67D 2210/0065; B67D 1/0864**

See application file for complete search history.

(56) **References Cited**

U.S. PATENT DOCUMENTS

4,558,640 A * 12/1985 Marchant A47J 31/0573
99/300
D291,766 S * 9/1987 Steinkamp D7/309

D408,206 S * 4/1999 Stafford D7/306
D437,726 S * 2/2001 Hardt D7/306
D514,370 S * 2/2006 Jacques D7/309
D541,097 S * 4/2007 Leverrier D7/300
D553,416 S * 10/2007 Lin D7/306
D575,571 S * 8/2008 Hammad D7/300
D604,087 S * 11/2009 Lavy D7/309
D615,339 S * 5/2010 Bronwasser D7/306
D686,033 S * 7/2013 Burton D7/306
D695,559 S * 12/2013 De Pra D7/309
D717,911 S * 11/2014 Moon D23/207
D732,329 S * 6/2015 Palermo D7/306
D735,527 S * 8/2015 Palermo D7/309
D757,479 S * 5/2016 Steiner D7/309
D775,887 S * 1/2017 Atkin D7/306

* cited by examiner

Primary Examiner — Marianne Pandozzi

(74) *Attorney, Agent, or Firm* — Michael J. Corrigan

(57) **CLAIM**

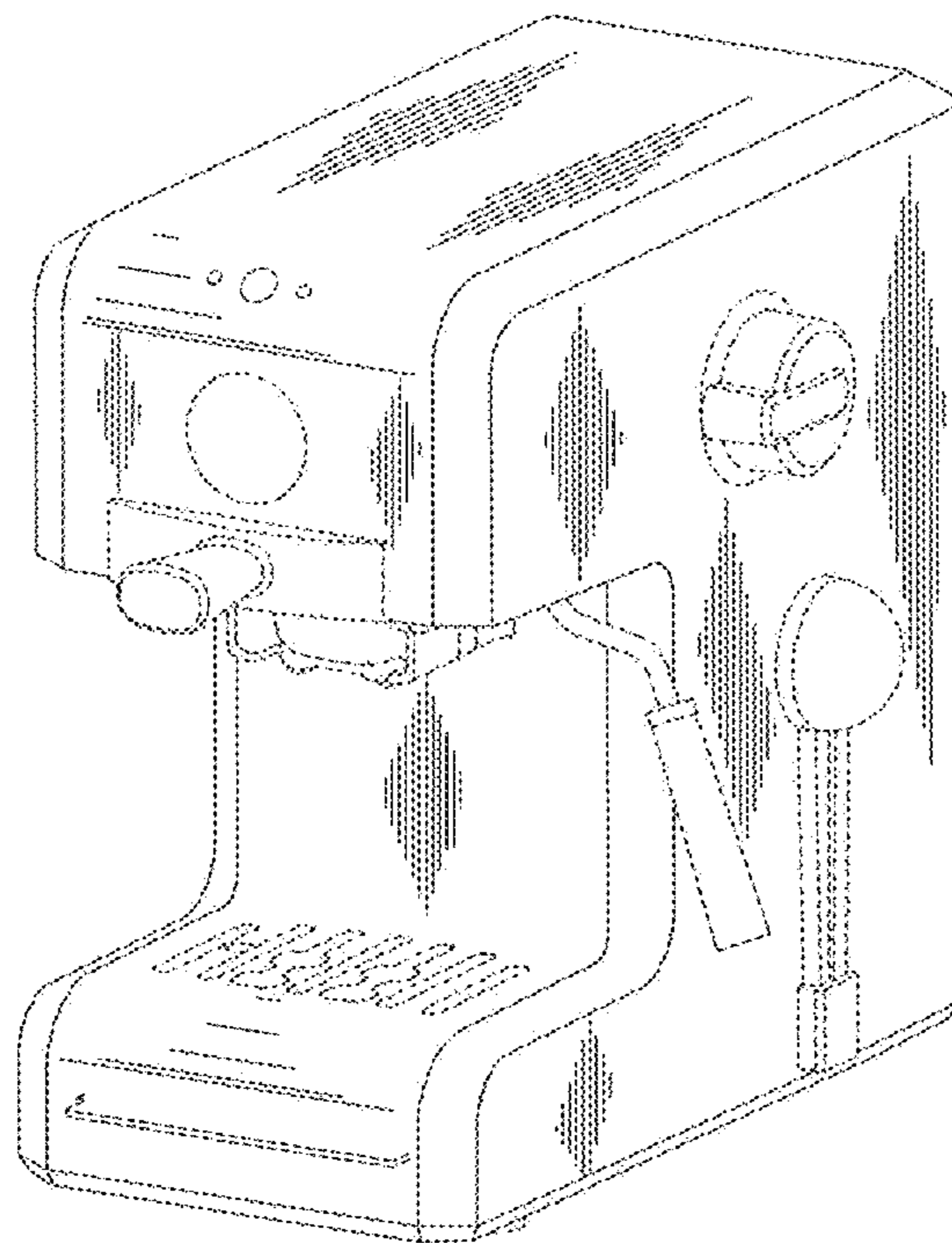
The ornamental design for the hot beverage maker, as shown and described.

DESCRIPTION

FIG. 1 is a front perspective view of the hot beverage maker; FIG. 2 is a front view thereof; FIG. 3 is a rear view thereof; FIG. 4 is a left side view thereof; FIG. 5 is a right side view thereof; and, FIG. 6 is a top view thereof.

The broken lines in the drawings depict portions of the hot beverage maker that form no part of the claimed design.

1 Claim, 6 Drawing Sheets



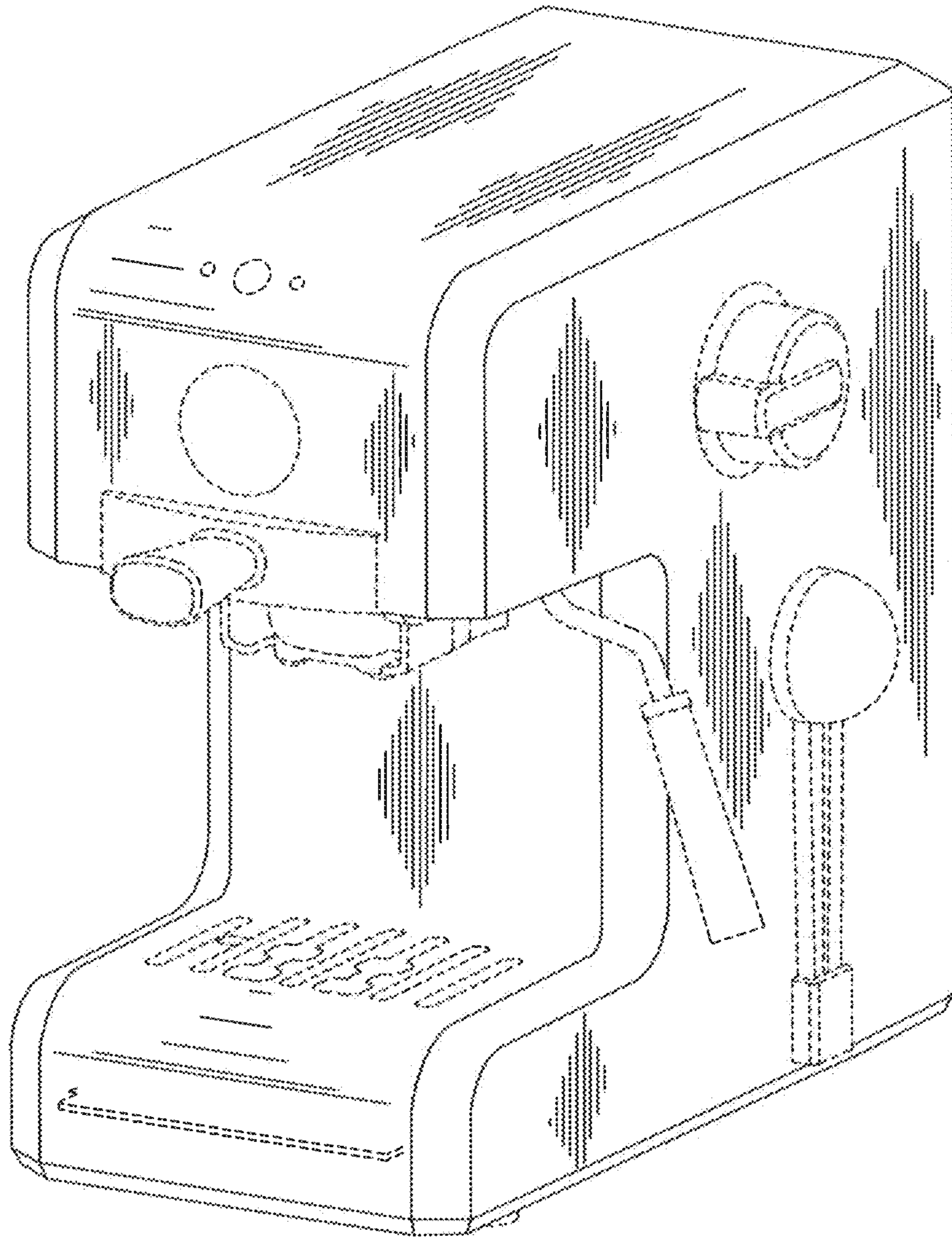


FIG 1

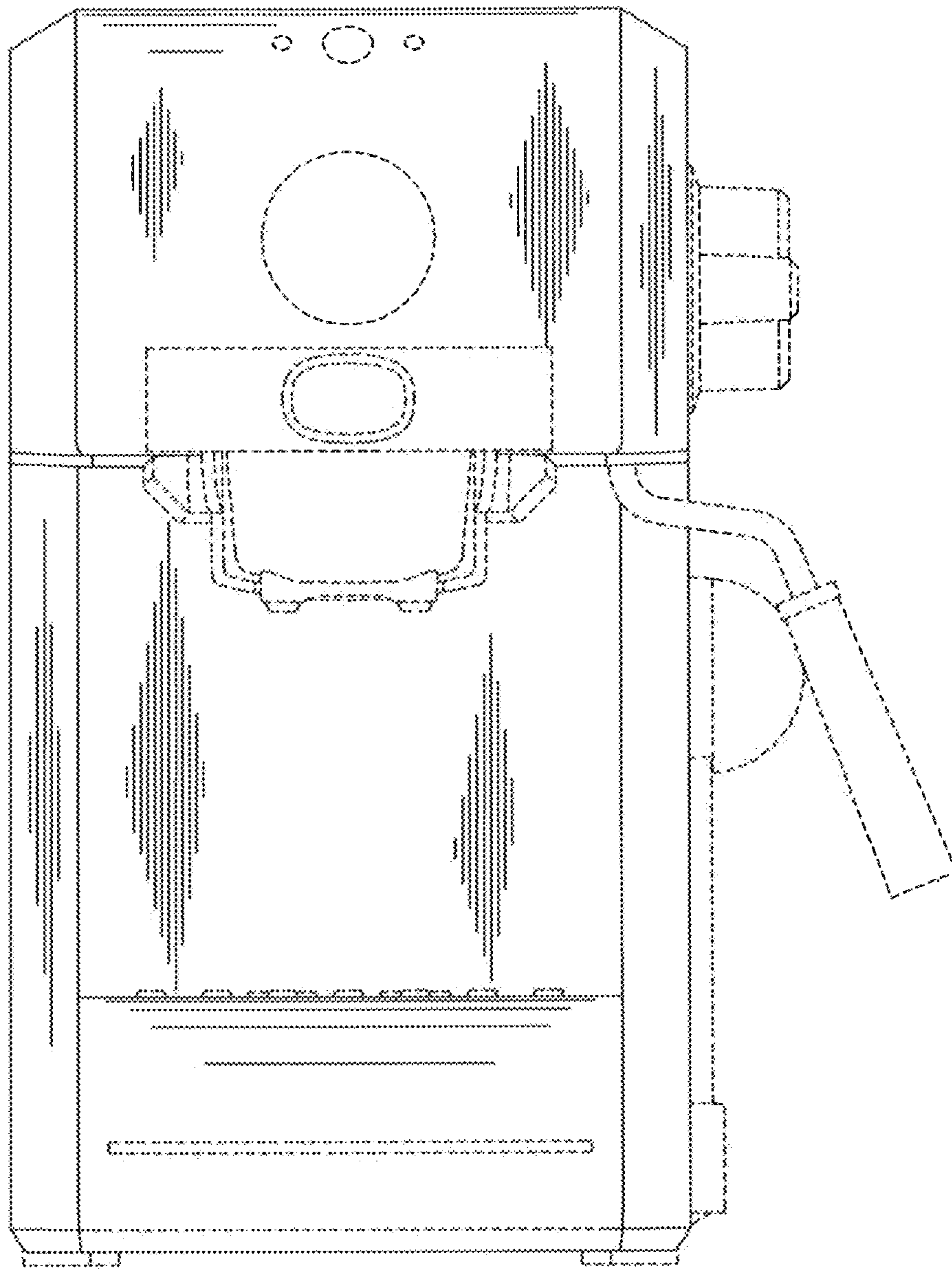


FIG 2

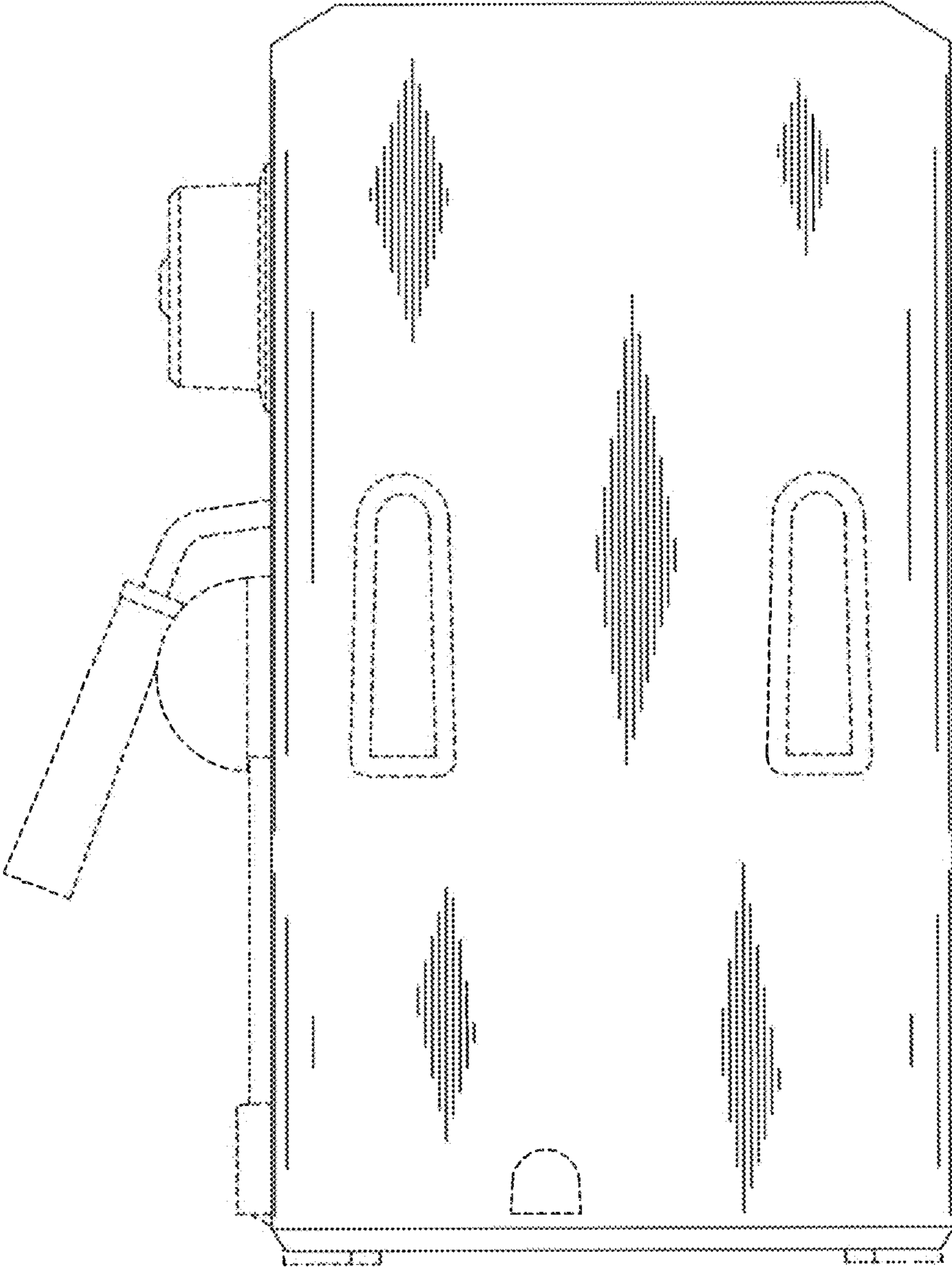


FIG 3

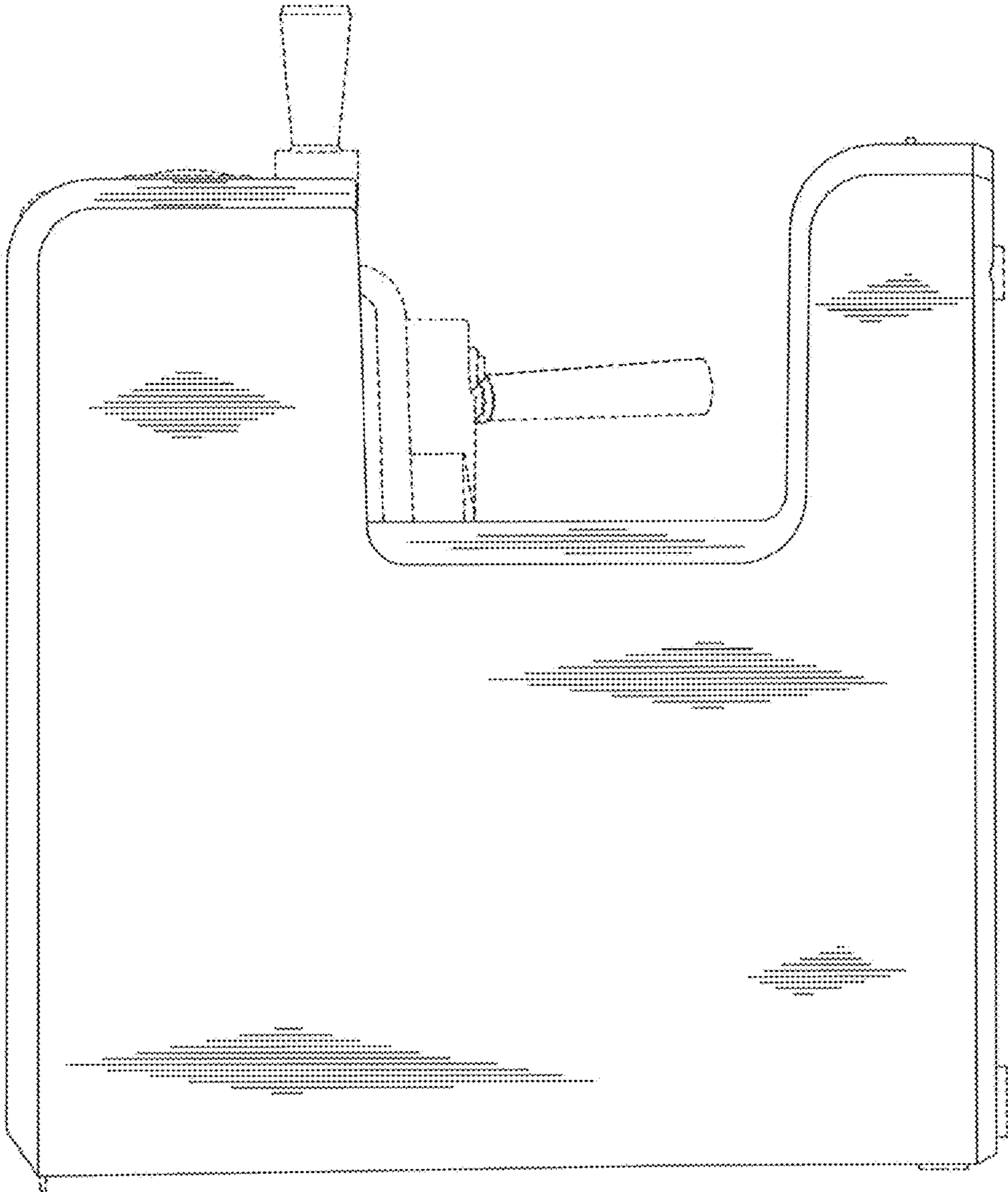


FIG 4

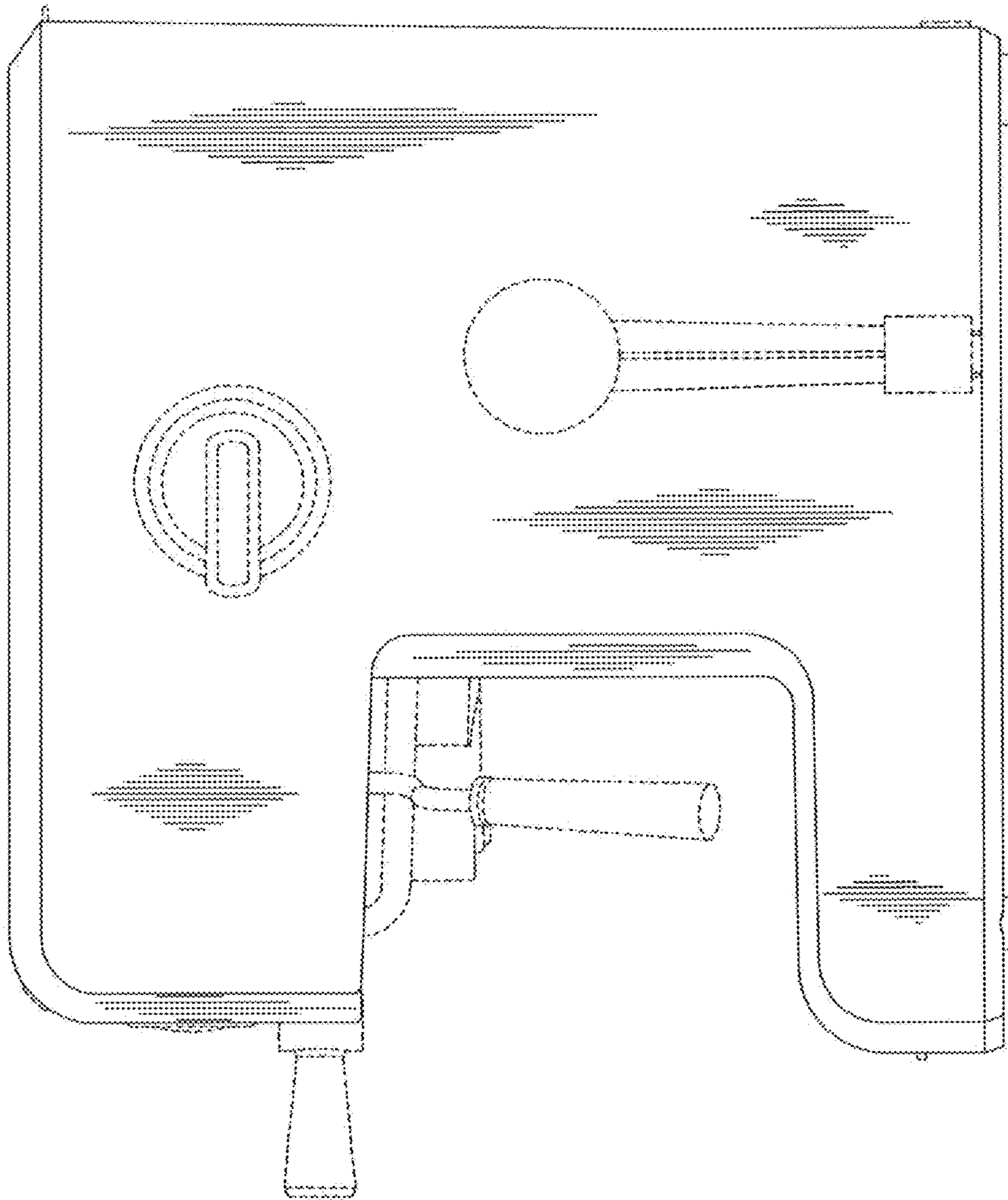


FIG 5

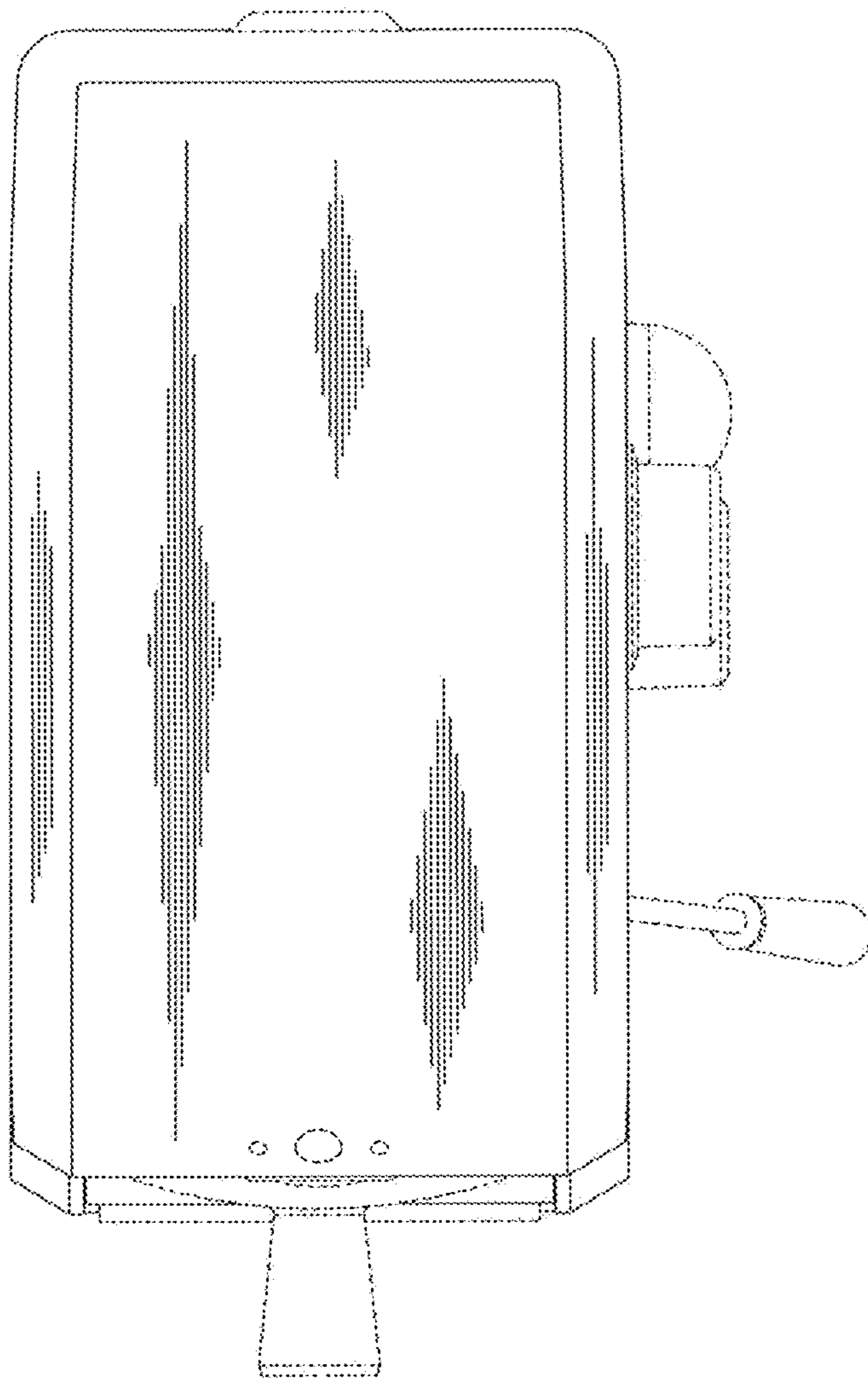


FIG 6