



US00D786602S

(12) **United States Design Patent**
Palermo et al.

(10) **Patent No.:** **US D786,602 S**

(45) **Date of Patent:** **** May 16, 2017**

- (54) **HOT BEVERAGE APPLIANCE**
- (71) Applicant: **Sunbeam Products, Inc.**, Boca Raton, FL (US)
- (72) Inventors: **Joseph Palermo**, Boynton Beach, FL (US); **Michael Herbert**, Naperville, IL (US); **Motokimi Yono**, Chicago, IL (US)
- (73) Assignee: **Sunbeam Products, Inc.**, Boca Raton, FL (US)

D634,963 S *	3/2011	Romandy	D7/306
D649,826 S *	12/2011	Garman	D7/306
D667,674 S *	9/2012	Wilder	D7/306
D673,804 S *	1/2013	De' Longhi	D7/309
D718,414 S *	11/2014	Lo	D23/207
D738,149 S *	9/2015	Ye	D7/306
D739,168 S *	9/2015	Hellweg	D7/309
D755,001 S *	5/2016	Lintner	D7/306
D760,008 S *	6/2016	Moon	D7/306
D760,010 S *	6/2016	Hellweg	D7/309
D769,663 S *	10/2016	Palermo	D7/306
D771,992 S *	11/2016	Yang	D7/306
D774,820 S *	12/2016	Yang	D7/306
D777,499 S *	1/2017	McConnell	D7/309
2013/0004629 A1 *	1/2013	Clark	A47J 31/4467 426/231

(**) Term: **15 Years**

(21) Appl. No.: **29/556,371**

(22) Filed: **Feb. 29, 2016**

(51) **LOC (10) Cl.** **07-01**

(52) **U.S. Cl.**
USPC **D7/306; D7/311; D7/309**

(58) **Field of Classification Search**
USPC D7/305-311, 313; D15/82; 222/129.1,
222/146.6; 99/295
CPC A47J 31/44; A47J 31/4403; A47J 31/46;
B67D 1/36; B67D 2210/0065; B67D
1/0864

See application file for complete search history.

(56) **References Cited**

U.S. PATENT DOCUMENTS

D343,758 S *	2/1994	Beeren	D7/309
D511,066 S *	11/2005	Garner	D7/309
D594,688 S *	6/2009	Hammad	D7/306
D604,985 S *	12/2009	Taylor	D7/309

* cited by examiner

Primary Examiner — Marianne Pandozzi

(74) *Attorney, Agent, or Firm* — Michael J. Corrigan

(57) **CLAIM**

The ornamental design for a hot beverage appliance, as shown and described.

DESCRIPTION

FIG. 1 is a front perspective view of a hot beverage appliance showing our new design;
FIG. 2 is a front view thereof;
FIG. 3 is a rear view thereof;
FIG. 4 is a left side view thereof;
FIG. 5 is a right side view thereof; and,
FIG. 6 is a top plan view thereof.

The broken lines in the drawing depict portions of the hot beverage appliance that form no part of the claimed design.

1 Claim, 3 Drawing Sheets

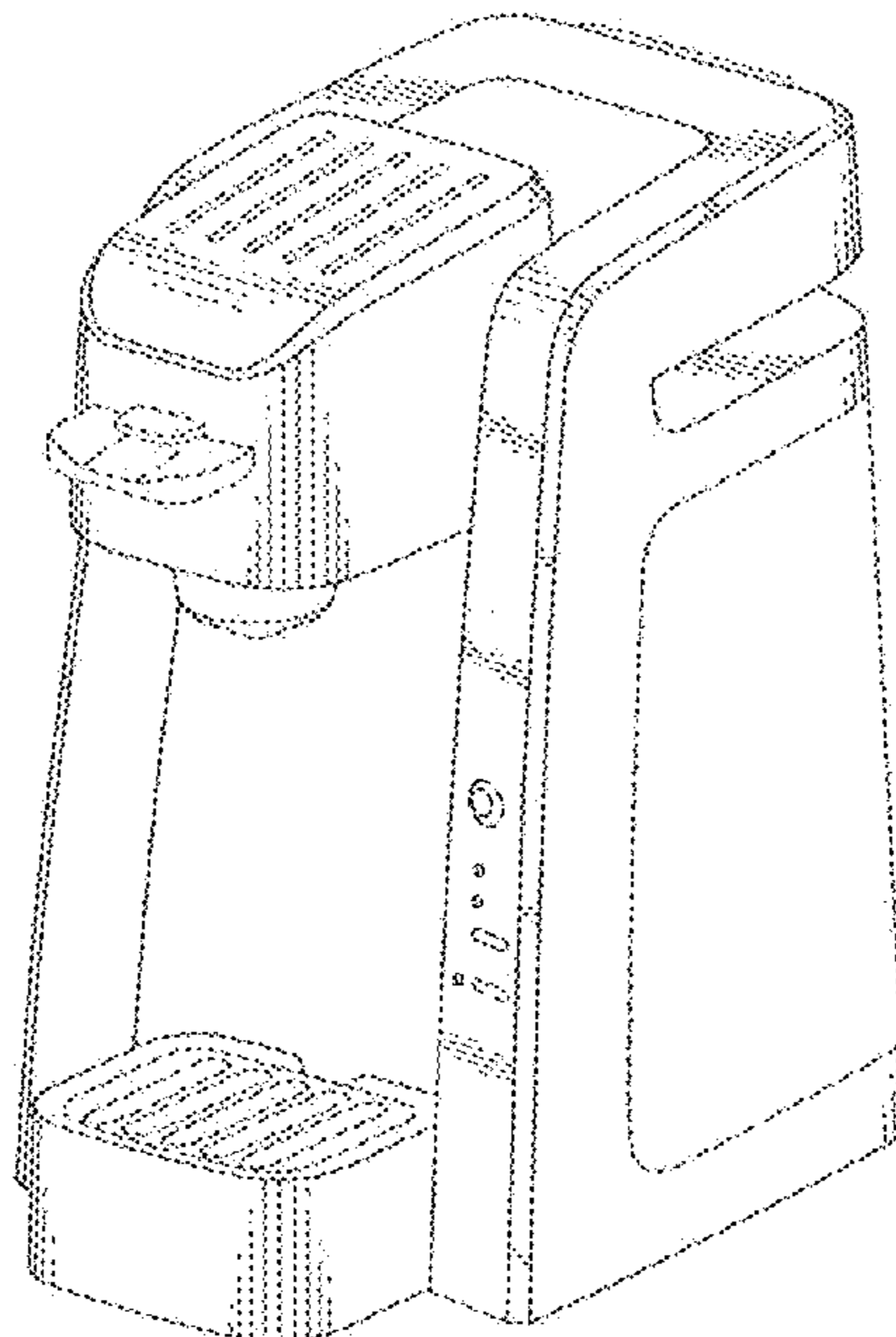


FIG. 1

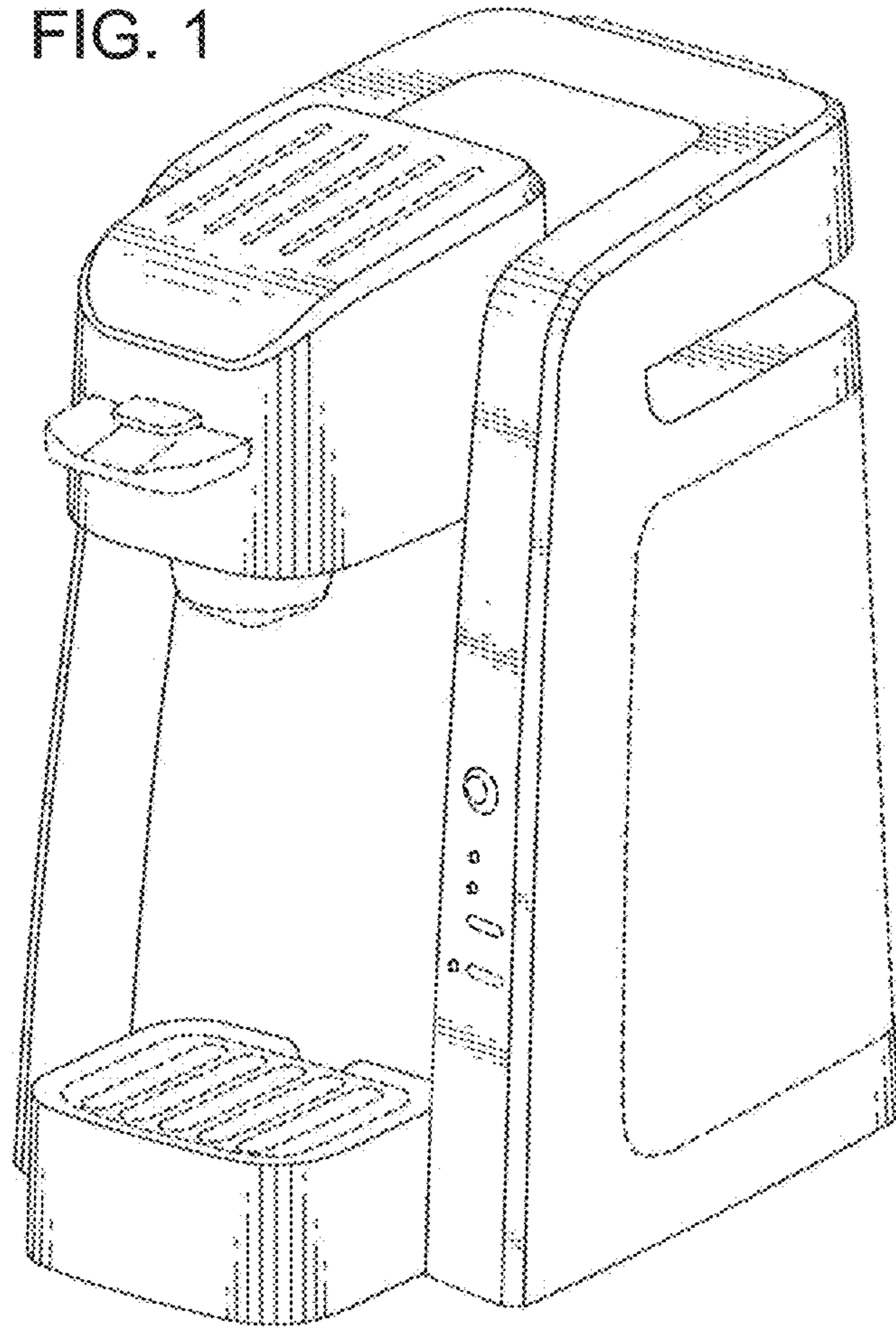


FIG. 6

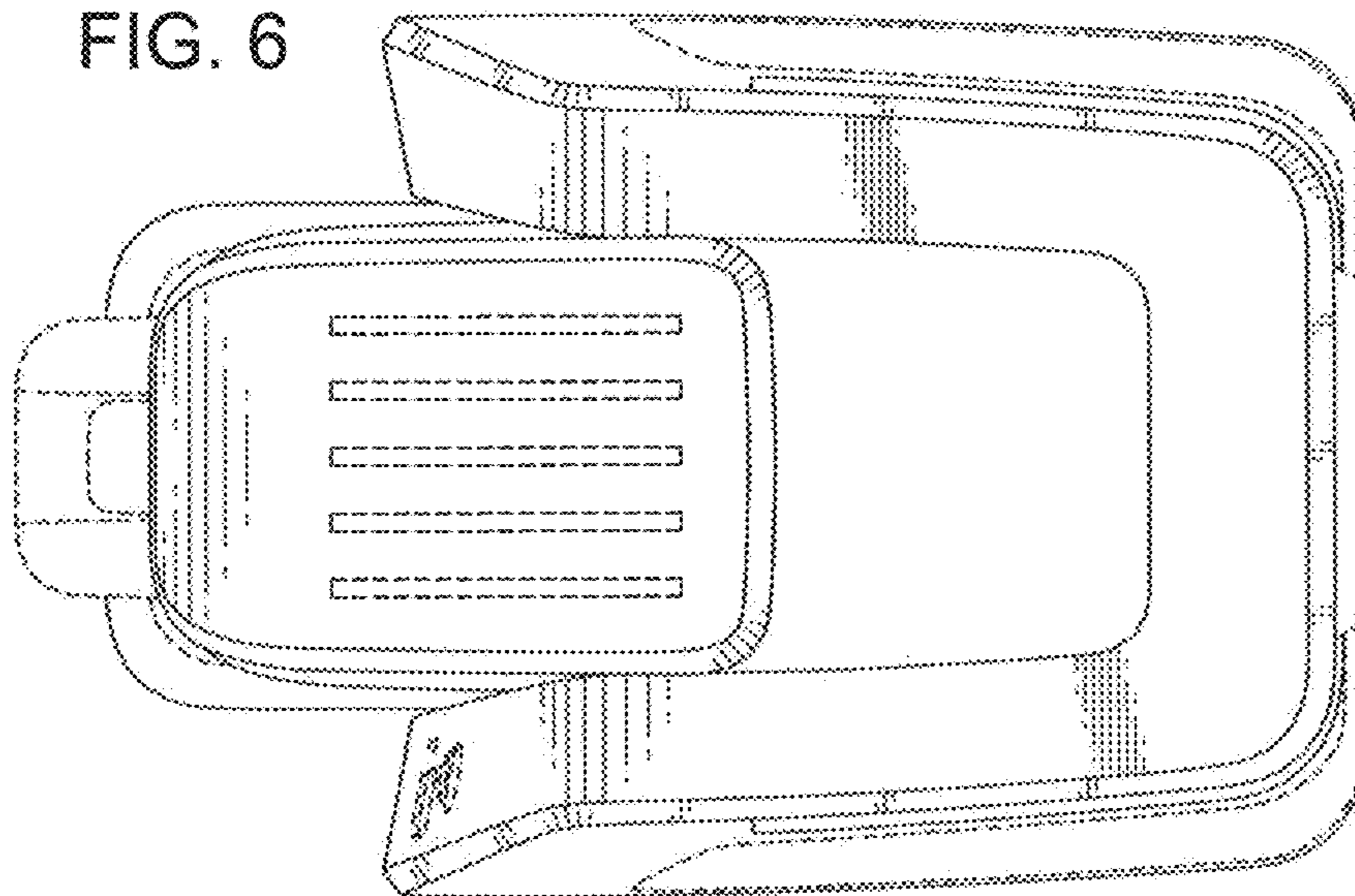


FIG. 3

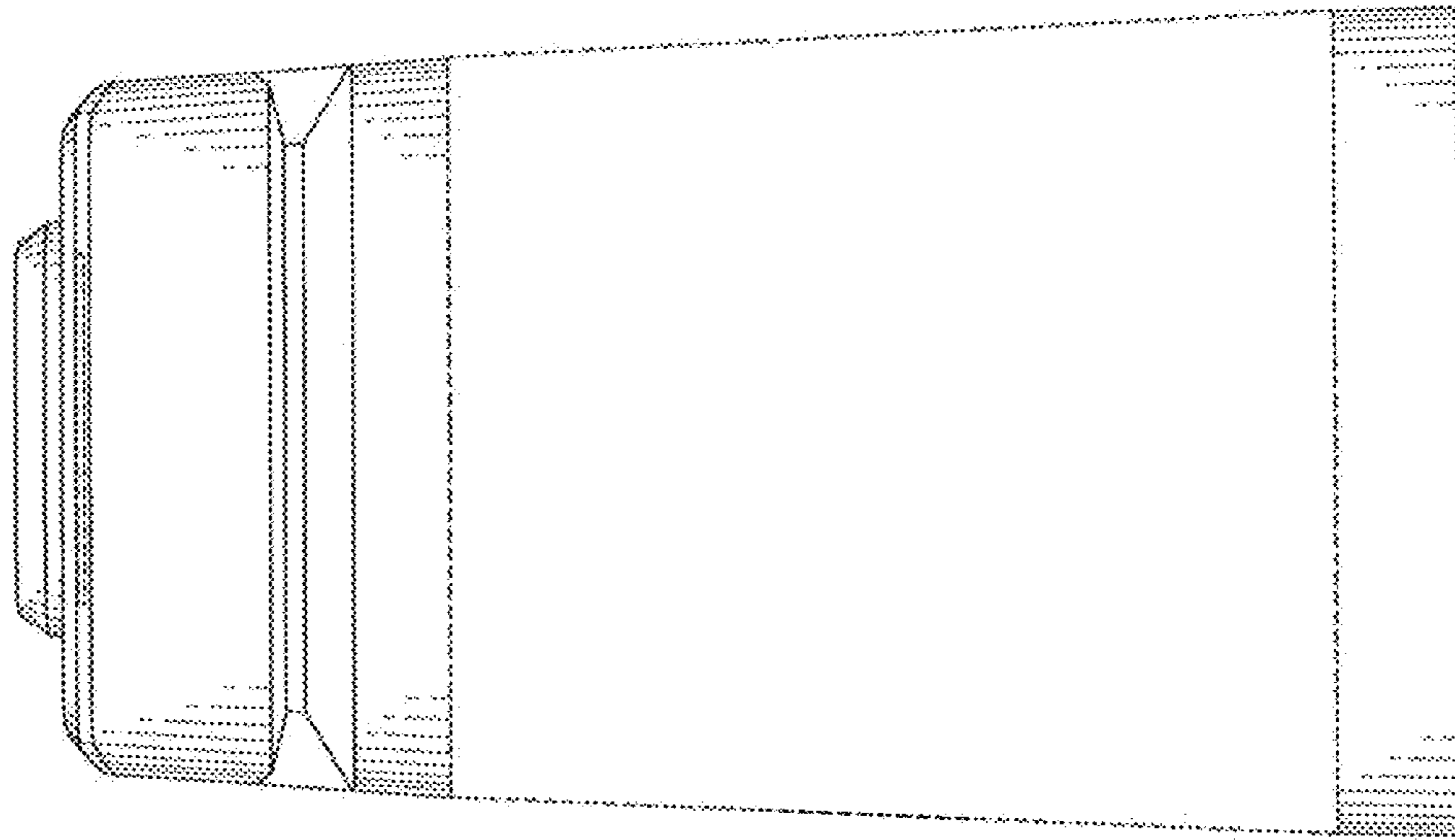


FIG. 2

