



US00D786597S

(12) **United States Design Patent**
Gao

(10) **Patent No.:** **US D786,597 S**

(45) **Date of Patent:** **** May 16, 2017**

- (54) **ARMREST**
- (71) Applicant: **Thomas Gao**, Temple Terrace, FL (US)
- (72) Inventor: **Thomas Gao**, Temple Terrace, FL (US)
- (**) Term: **15 Years**
- (21) Appl. No.: **29/569,599**
- (22) Filed: **Jun. 29, 2016**
- (51) **LOC (10) Cl.** **06-01**
- (52) **U.S. Cl.**
USPC **D6/716.2**
- (58) **Field of Classification Search**
USPC D6/334-336, 356, 367, 368, 374, 716,
D6/716.1, 716.2, 716.3
CPC B60N 2/46; B60N 2/4606; B60N 2/4626;
B60N 2/4633; B60N 3/10
See application file for complete search history.

- D428,276 S * 7/2000 Mitjans D6/336
- 6,283,551 B1 * 9/2001 Bergin B60N 2/4606
297/188.14
- D526,144 S * 8/2006 Luebke D6/716.2
- D534,005 S * 12/2006 Beermann D6/356
- D665,588 S * 8/2012 Wada D6/356
- D707,047 S * 6/2014 Carter D6/356
- 9,199,562 B2 * 12/2015 Skapof B60N 2/4606

* cited by examiner

Primary Examiner — Mimosa De

(74) *Attorney, Agent, or Firm* — Dunlap Bennett & Ludwig PLLC

(57) **CLAIM**

The ornamental design for an armrest, as shown and described.

DESCRIPTION

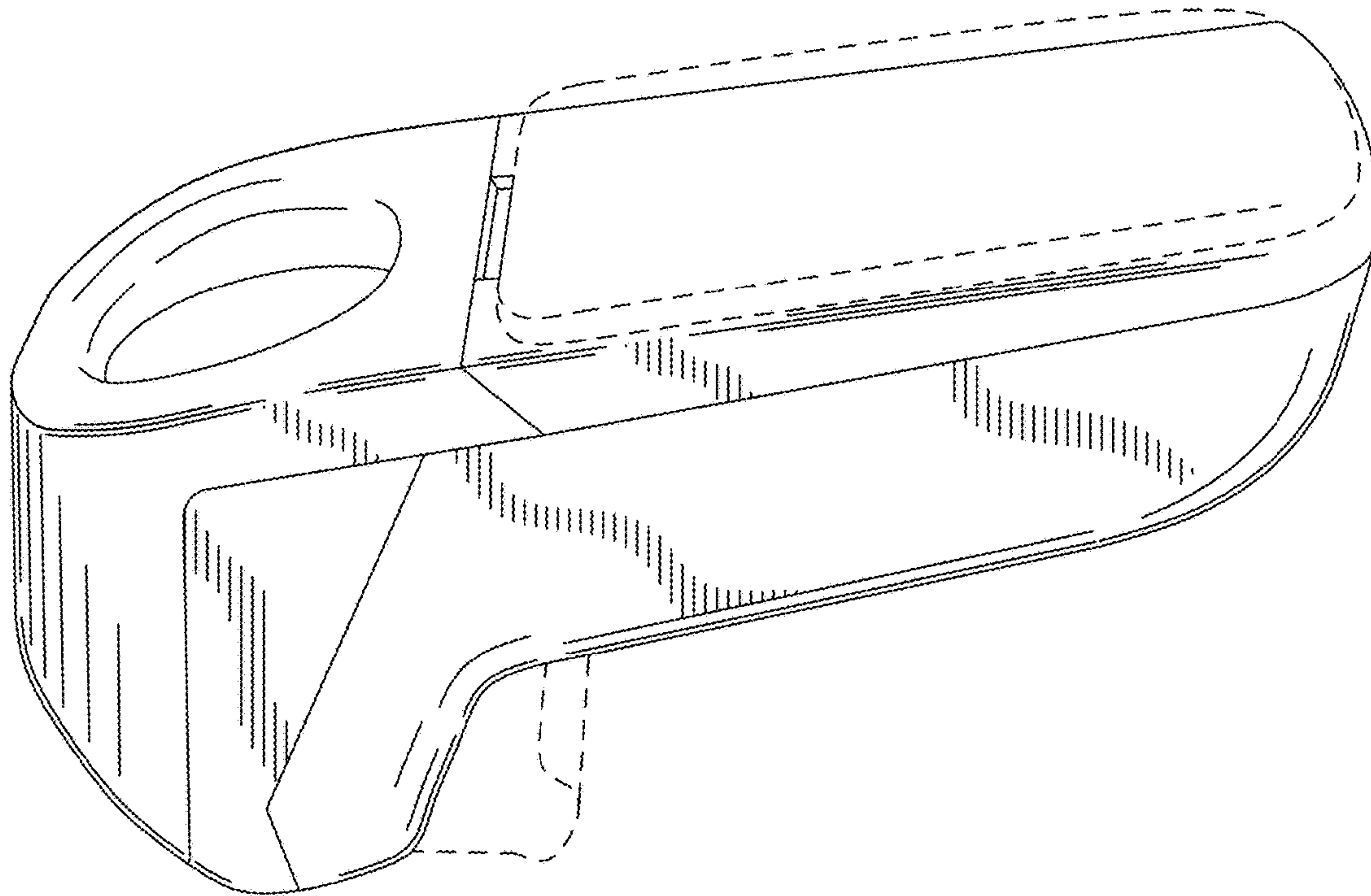
FIG. 1 is a perspective view of an armrest;
 FIG. 2 is a right elevation view of FIG. 1, the left elevation view being a mirror image thereof;
 FIG. 3 is a bottom plan view of FIG. 1;
 FIG. 4 is a top plan view of FIG. 1;
 FIG. 5 is a front elevation view of FIG. 1; and,
 FIG. 6 is a rear elevation view of FIG. 1.
 The broken lines depict portions of the armrest that form no part of the claimed design.

1 Claim, 3 Drawing Sheets

(56) **References Cited**

U.S. PATENT DOCUMENTS

- D242,508 S * 11/1976 Skyer D6/356
- D257,748 S * 1/1981 Smith D6/356
- D298,986 S * 12/1988 Carter D6/356
- 5,106,159 A * 4/1992 Iwamoto B60N 2/46
297/188.14



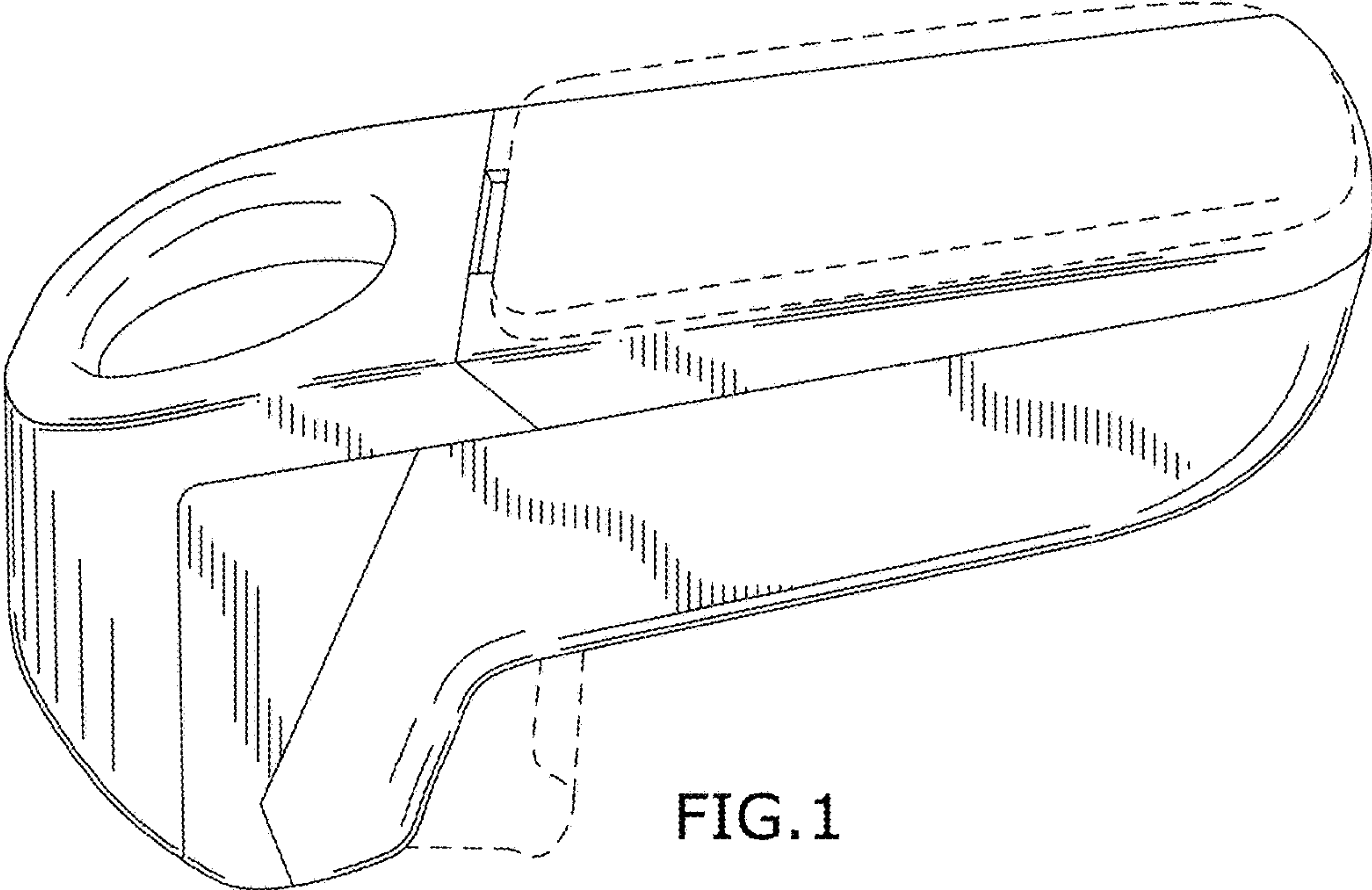


FIG. 1

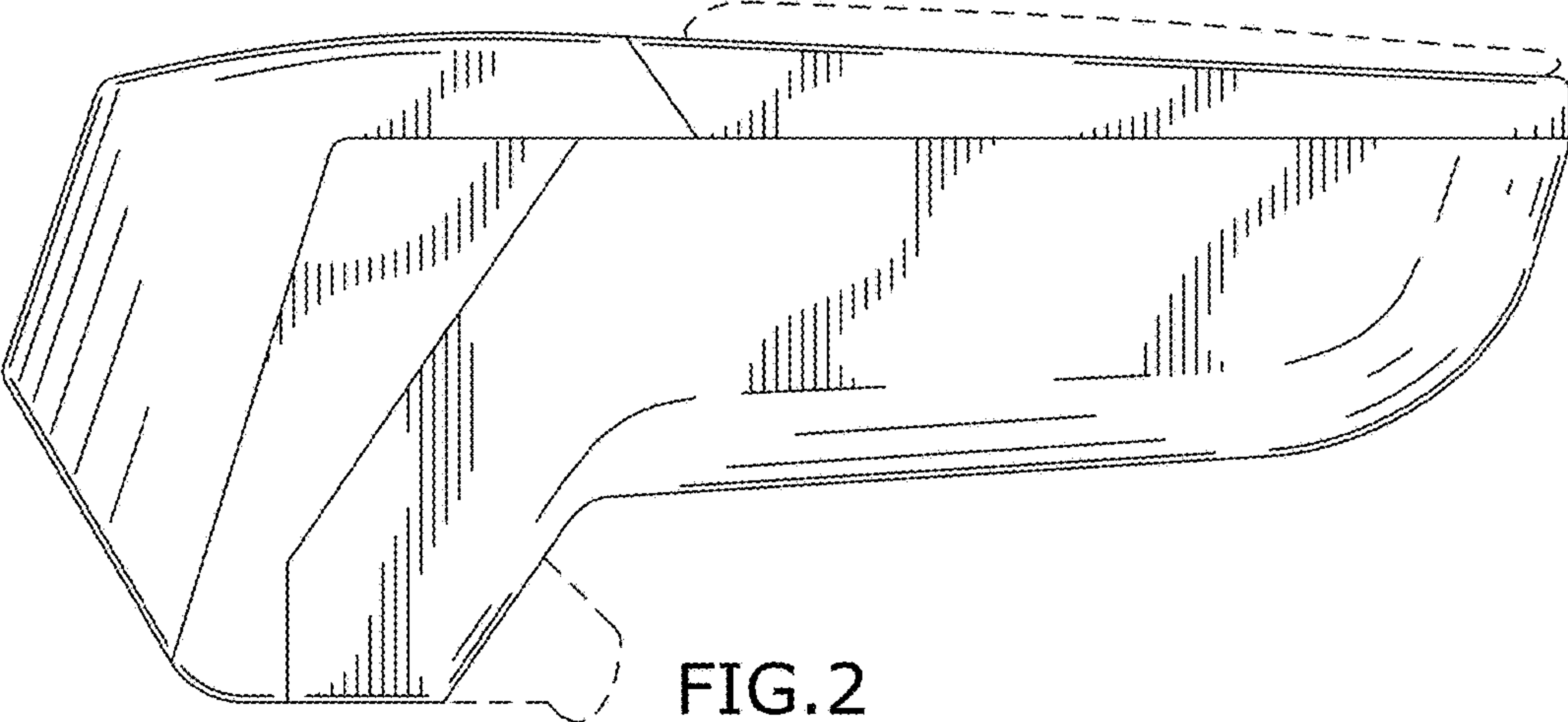


FIG. 2

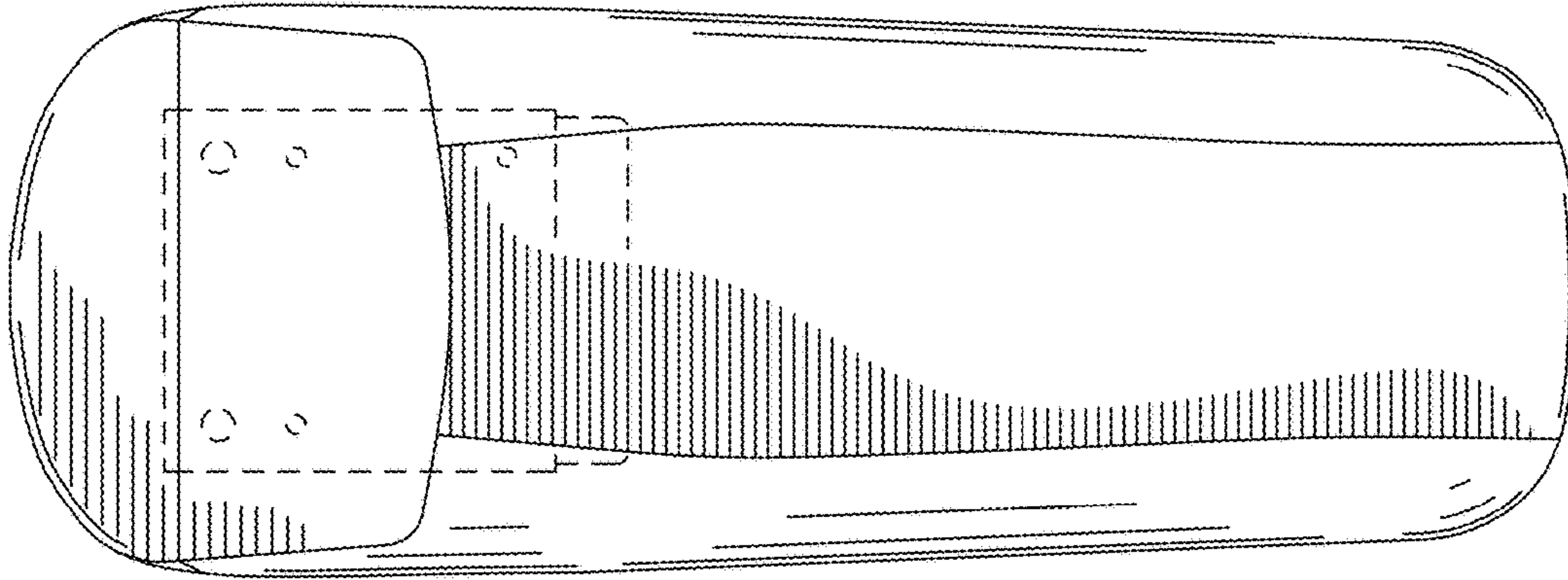


FIG. 3

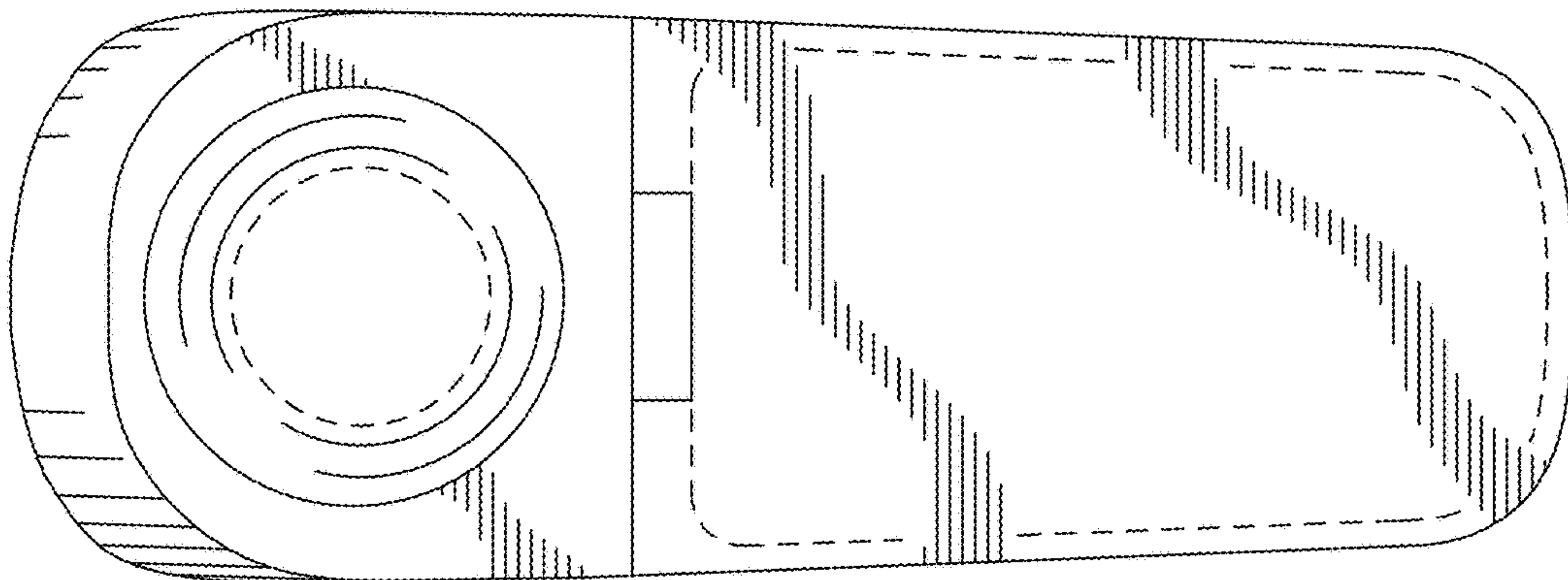


FIG. 4

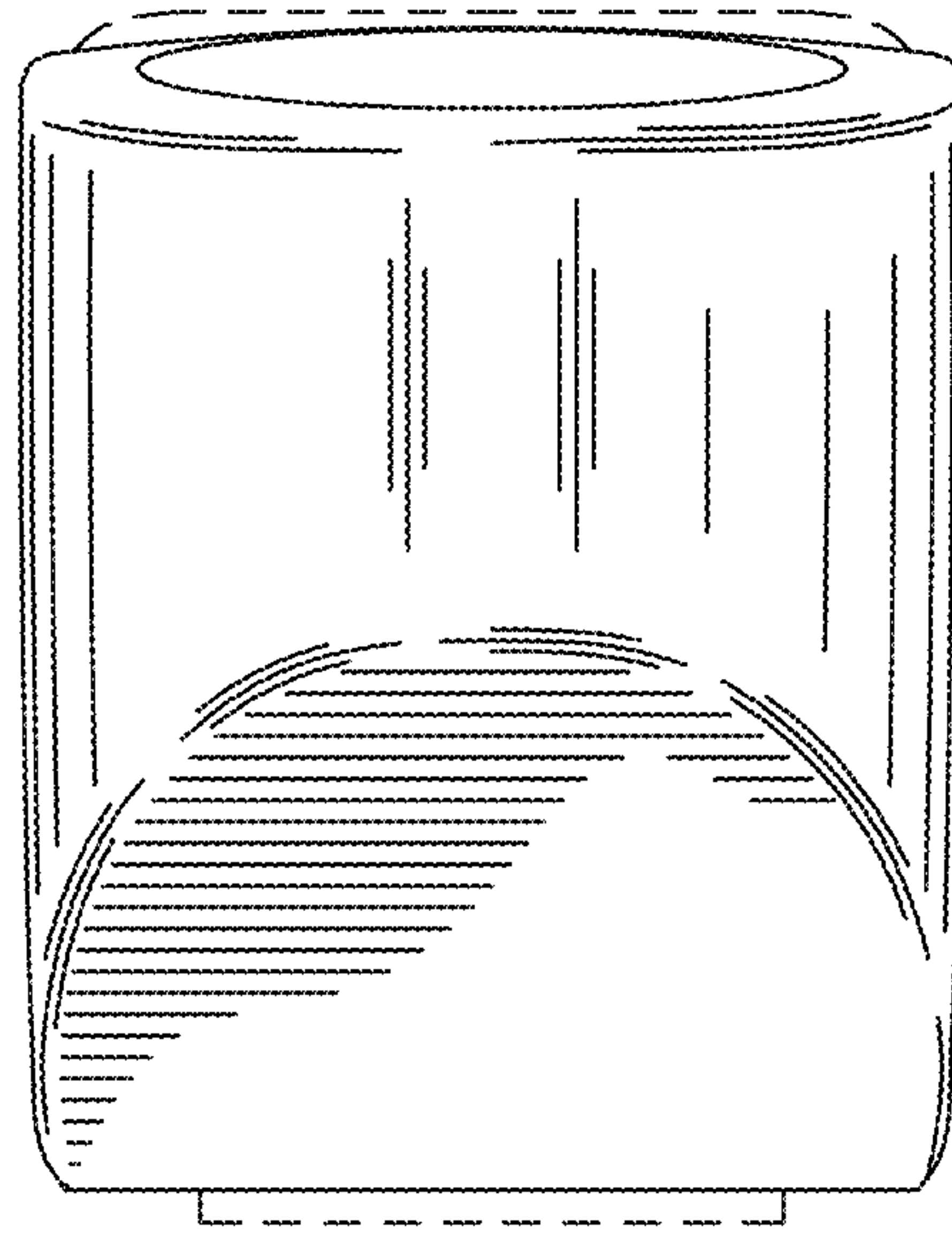


FIG. 5

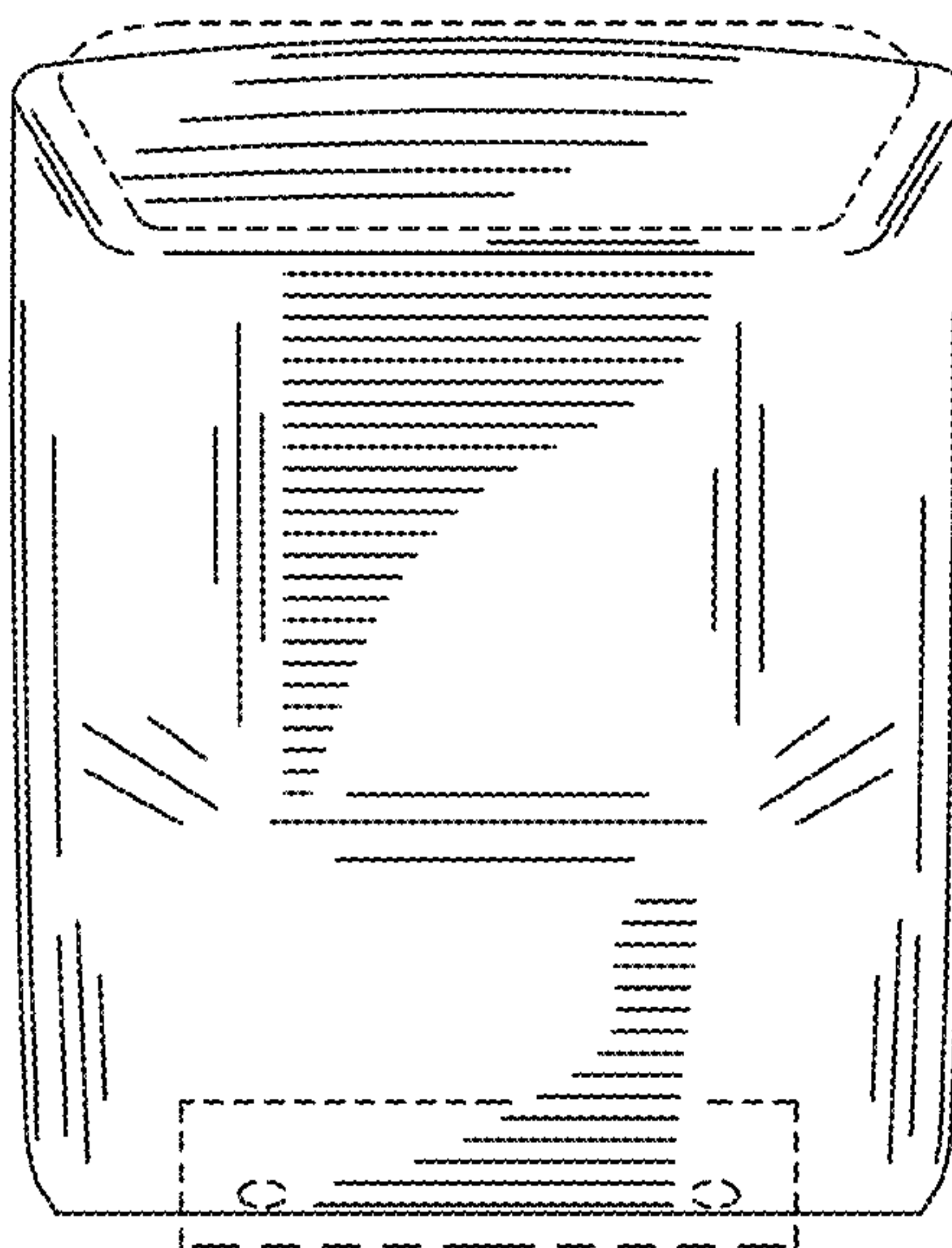


FIG. 6