



US00D786596S

(12) **United States Design Patent** (10) **Patent No.:** **US D786,596 S**
Nelson (45) **Date of Patent:** **** May 16, 2017**

(54) **LETTER O CHAIR**

(56) **References Cited**

(71) Applicant: **Keith Nelson**, Grimes, IA (US)

U.S. PATENT DOCUMENTS

(72) Inventor: **Keith Nelson**, Grimes, IA (US)

D376,465 S *	12/1996	Haro	D1/114
D595,515 S *	7/2009	Collette	D6/334
D646,096 S *	10/2011	Langbord	D6/716.4
D676,690 S *	2/2013	Pheasant	D6/716.4
D699,993 S *	2/2014	Nelson	D6/716.1
D731,802 S *	6/2015	McKenna	D6/366
D735,511 S *	8/2015	Nelson	D6/716
D738,657 S *	9/2015	Robins	D6/375
D747,893 S *	1/2016	Nikolajsen	D6/378
D749,868 S *	2/2016	Nikolajsen	D6/378
D761,606 S *	7/2016	Piretti	D6/380
D765,452 S *	9/2016	Nelson	D6/716

(73) Assignee: **Sender's Construction, LLC**, Polk City, IA (US)

(**) Term: **15 Years**

(21) Appl. No.: **29/572,875**

(22) Filed: **Aug. 1, 2016**

* cited by examiner

Related U.S. Application Data

(63) Continuation of application No. 29/550,416, filed on Jan. 4, 2016, now Pat. No. Des. 765,452, which is a continuation of application No. 29/531,933, filed on Jun. 30, 2015, now abandoned, which is a continuation of application No. 29/475,661, filed on Dec. 5, 2013, now Pat. No. Des. 735,511, which is a continuation of application No. 29/393,407, filed on Jun. 3, 2011, now Pat. No. Des. 699,993.

Primary Examiner — Kelley Donnelly

(74) *Attorney, Agent, or Firm* — McKee, Voorhees & Sease, PLC

(51) **LOC (10) Cl.** **06-01**

(57) **CLAIM**

The ornamental design for the letter O chair, substantially as shown and described.

(52) **U.S. Cl.**

USPC **D6/716**

DESCRIPTION

(58) **Field of Classification Search**

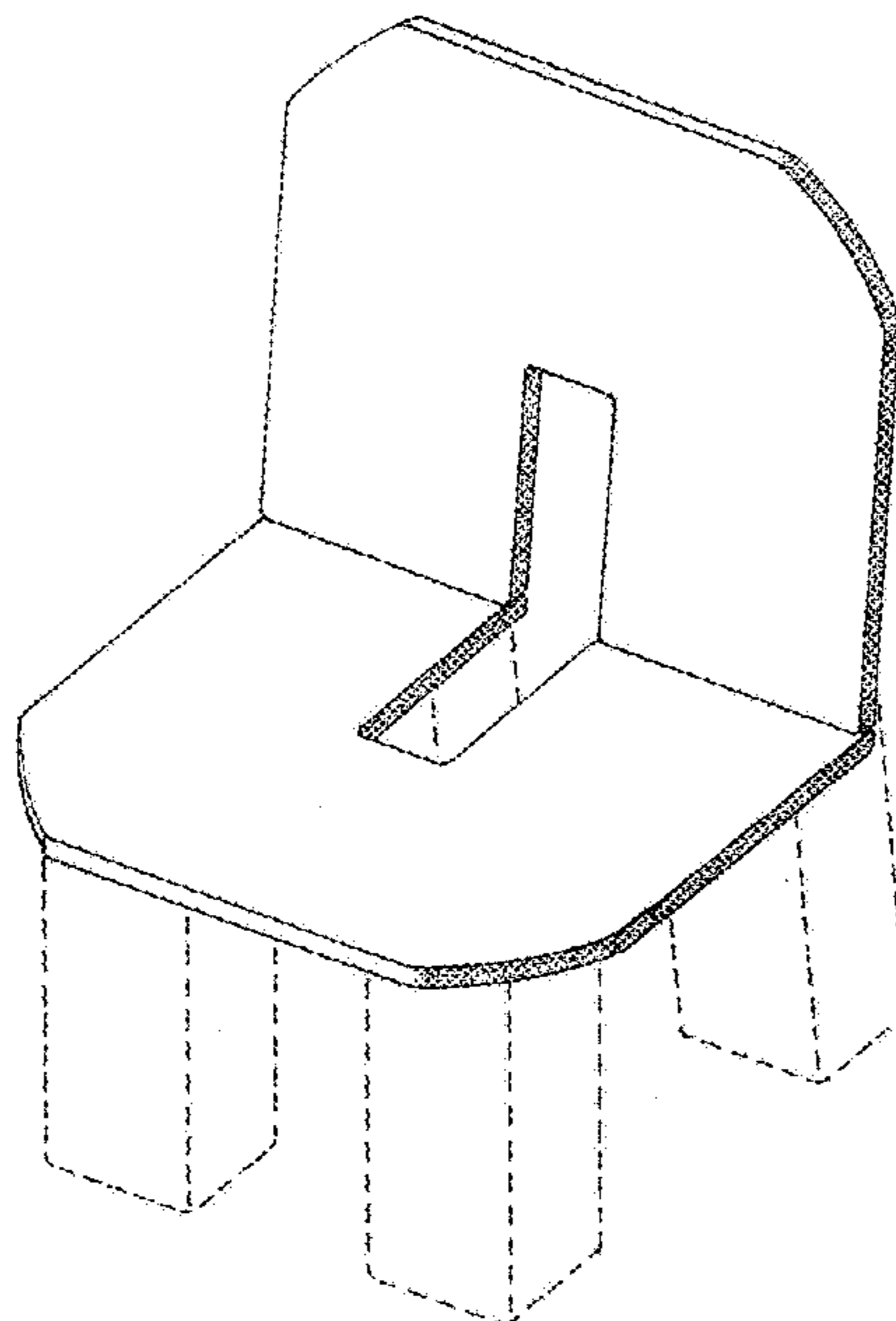
USPC D6/334, 341, 371-375, 381, 491-492, D6/500-502, 702, 716-716.1; 297/232-233, 239, 300.1, 311, 353, 297/445.1, 446.1, 448.1, 448.2, 452.11; 5/12.1, 12.2

CPC A47C 3/04; A47C 4/02; A47C 4/03; A47C 4/024; A47C 4/028

See application file for complete search history.

FIG. 1 is a perspective view of a letter "O" chair. FIG. 2 is a rear view of the letter "O" chair. FIG. 3 is a front view of the letter "O" chair. FIG. 4 is a top view of the letter "O" chair. FIG. 5 is a side view of the letter "O" chair; and, FIG. 6 is a side view of the letter "O" chair. The broken lines are for the purpose of illustrating the environment of the article only and form no part of the claimed design.

1 Claim, 6 Drawing Sheets



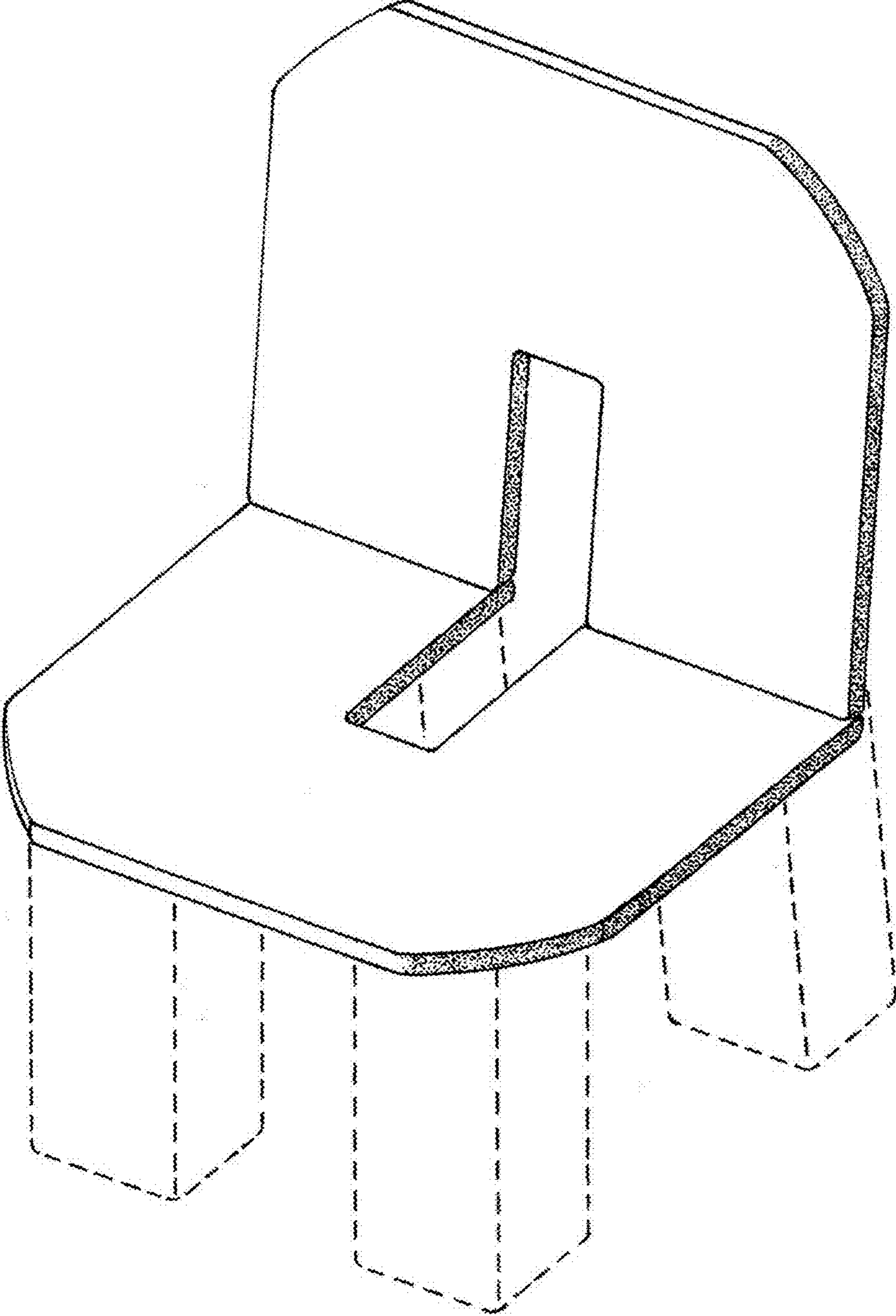


FIG. 1

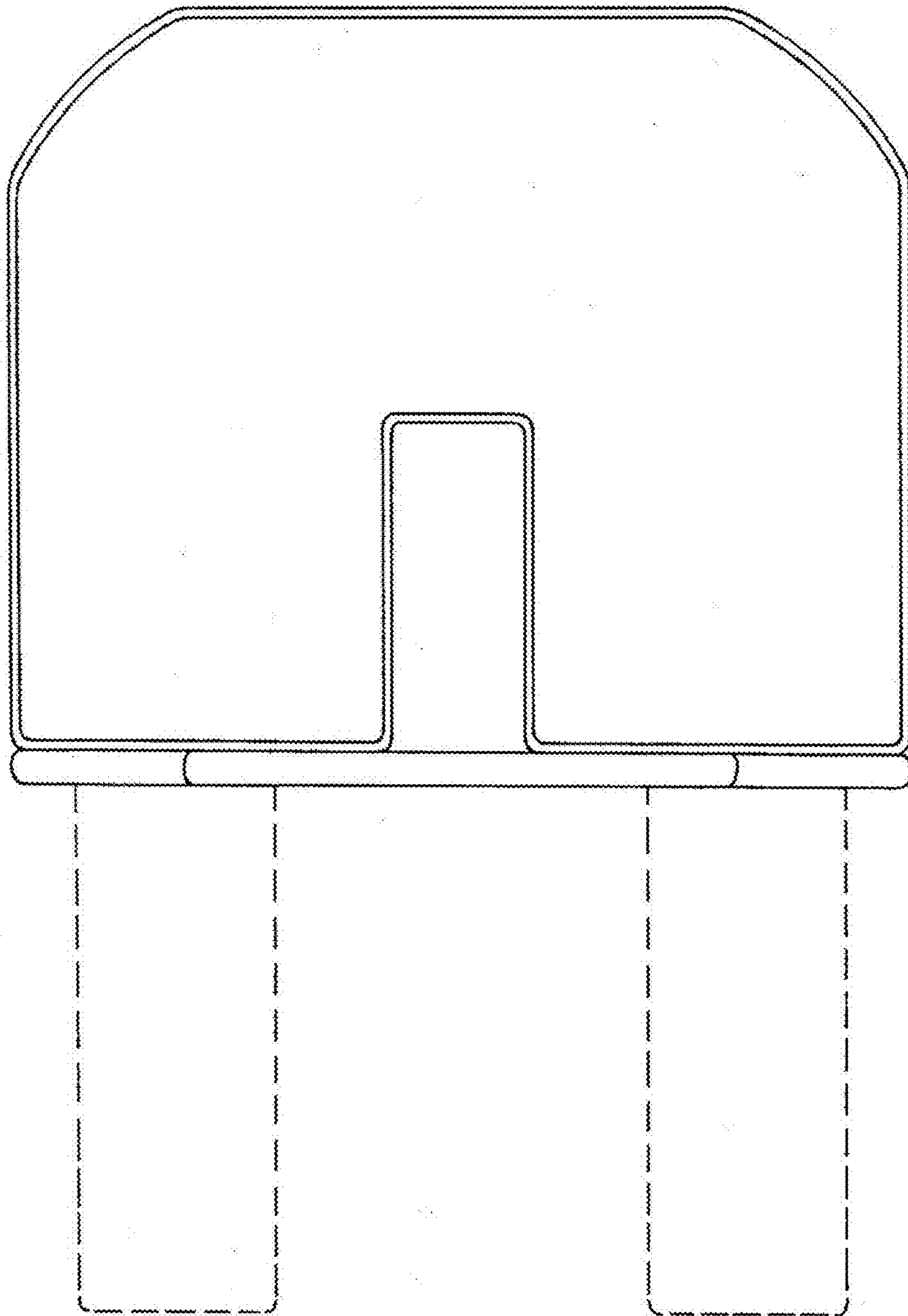


FIG. 2

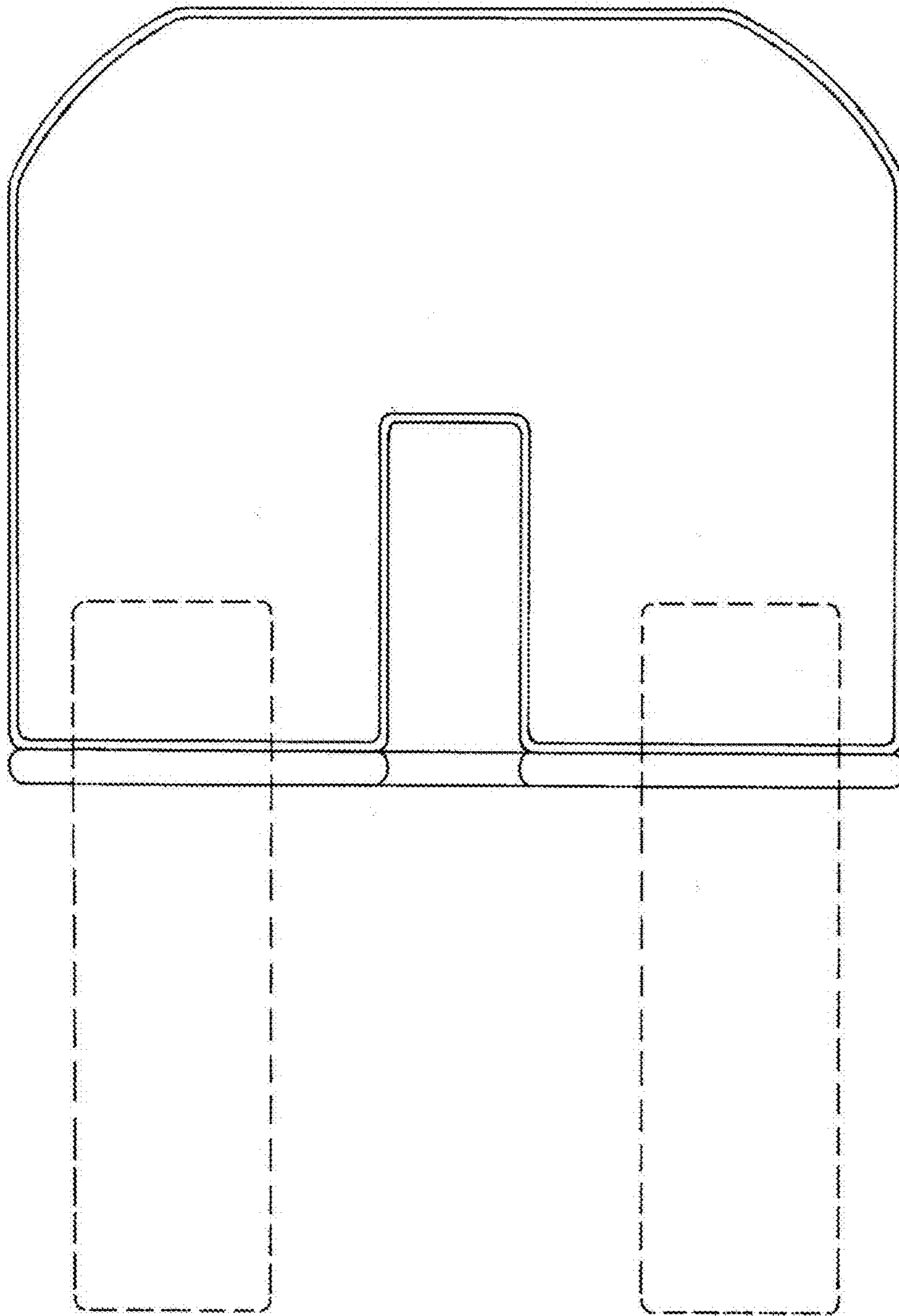


FIG. 3

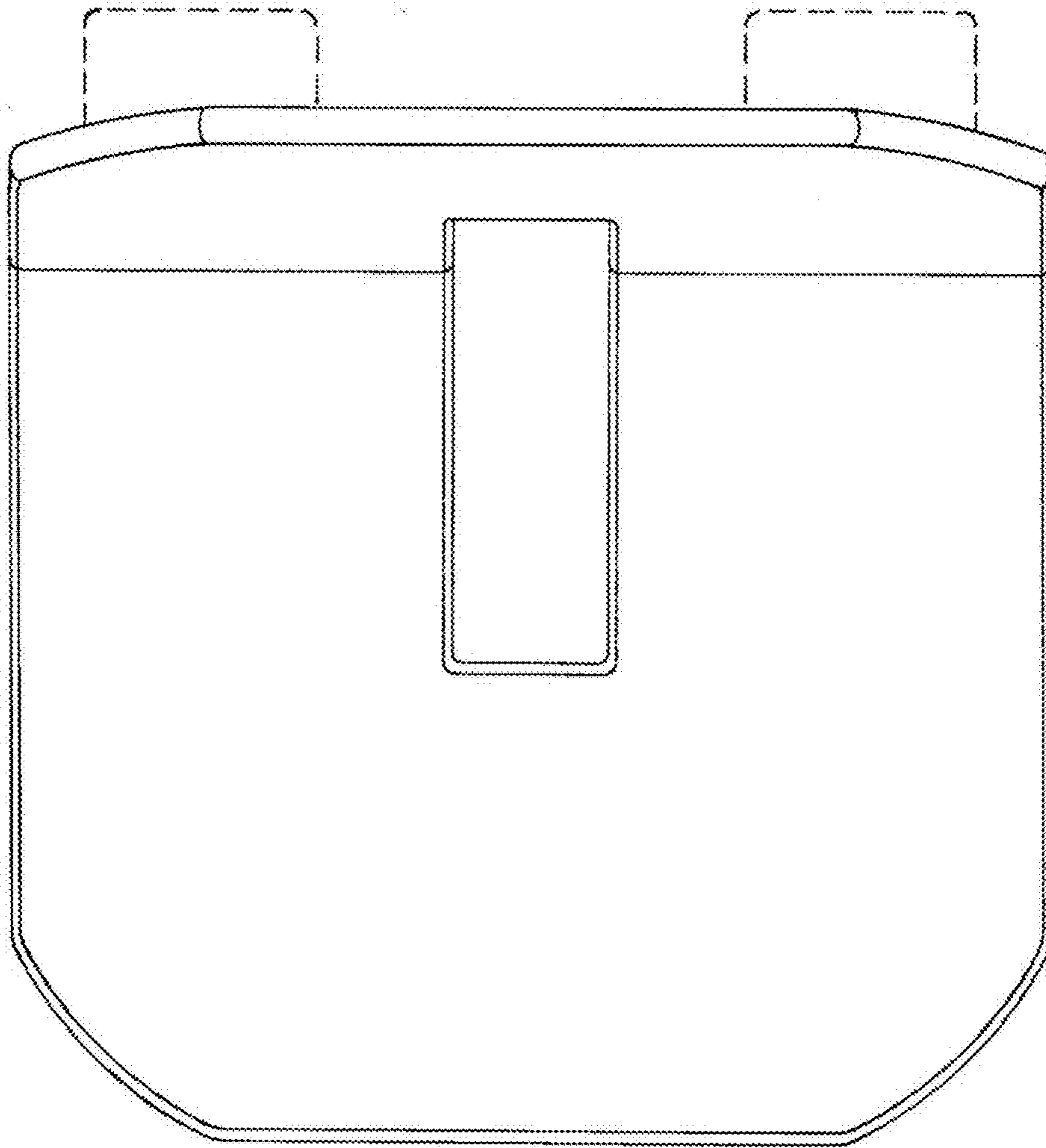


FIG. 4

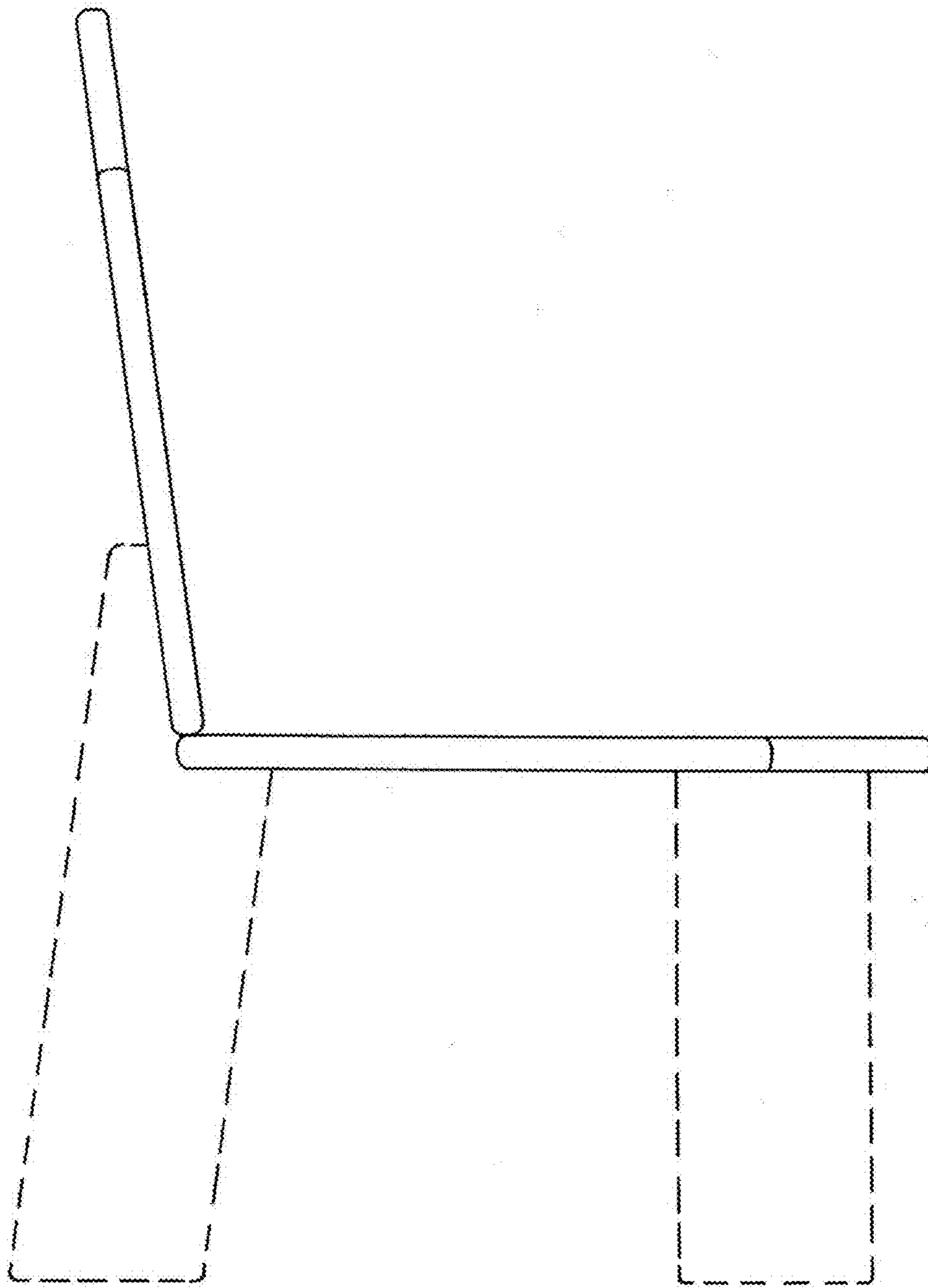


FIG. 5

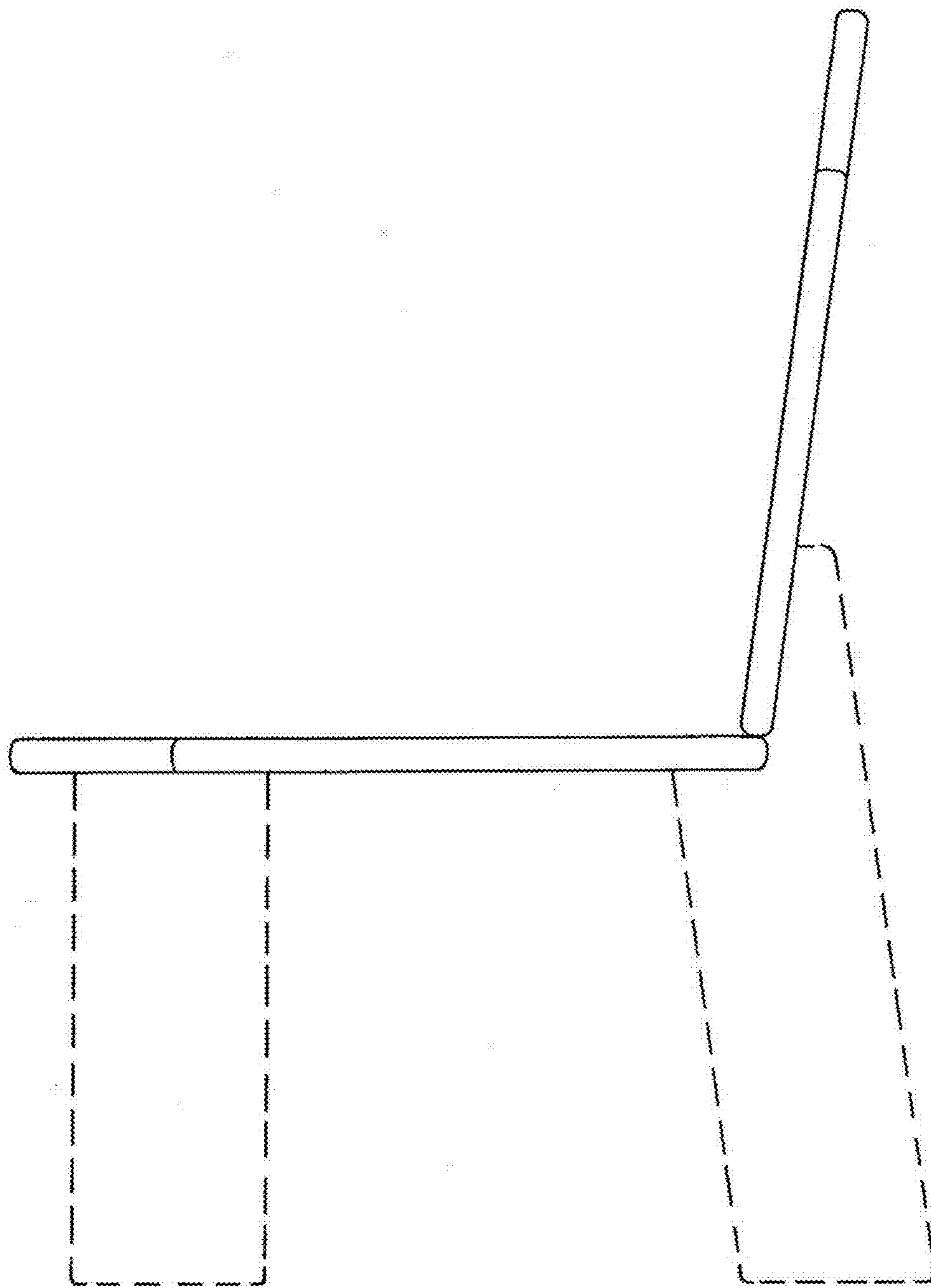


FIG. 6