



US00D786595S

(12) **United States Design Patent**
Mingenbach

(10) **Patent No.:** **US D786,595 S**

(45) **Date of Patent:** **** May 16, 2017**

(54) **FURNITURE TOP**

(71) Applicant: **Jane Mary Mingenchach**, Taos, NM
(US)

(72) Inventor: **William Alexander Mingenchach**, Taos,
NM (US)

(**) Term: **14 Years**

(21) Appl. No.: **29/502,419**

(22) Filed: **Sep. 16, 2014**

(51) **LOC (10) Cl.** **06-06**

(52) **U.S. Cl.**
USPC **D6/707.18; D6/707.21**

(58) **Field of Classification Search**
USPC D6/685, 693, 694.2, 696, 697, 707.15,
D6/707.18, 707.21, 707.22, 708
CPC A47L 7/00; A47L 13/00; A47L 13/003;
A47L 13/08; A47L 13/088; A47L 13/10;
A47L 13/081; A47L 9/00; A47L
2009/006; A47L 11/00; A47L 87/002;
A47L 2087/04; A47L 2200/003; A47L
2200/0039
See application file for complete search history.

(56) **References Cited**

U.S. PATENT DOCUMENTS

D190,998 S * 8/1961 Schulz D6/688
3,074,771 A * 1/1963 Wilson A47B 9/00
108/12

D196,370 S * 9/1963 Wilson D6/708
D218,943 S * 10/1970 Culliss D6/696.7
D227,966 S * 7/1973 Duern D6/696
D280,368 S * 9/1985 Crespi D6/696.1
D311,840 S * 11/1990 Glendinning D6/708
D341,507 S * 11/1993 Harvey D6/696.1
D401,086 S * 11/1998 Hellwig D6/650
D534,386 S * 1/2007 Warriner D6/707.22
D566,996 S * 4/2008 Muller D6/708
D668,478 S * 10/2012 Shokouhi D6/692

* cited by examiner

Primary Examiner — Mary Ann Calabrese

(74) *Attorney, Agent, or Firm* — Franklin & Associates
International Inc; Matthew F. Lambrinos

(57) **CLAIM**

The ornamental design for a furniture top, as shown and
described.

DESCRIPTION

FIG. 1 is a perspective view from above of a furniture top
showing my new design;

FIG. 2 is a front view of the furniture top of FIG. 1;

FIG. 3 is a left side view of the furniture top of FIG. 1;

FIG. 4 is a right side view of the furniture top of FIG. 1;

FIG. 5 is a rear view of the furniture top of FIG. 1;

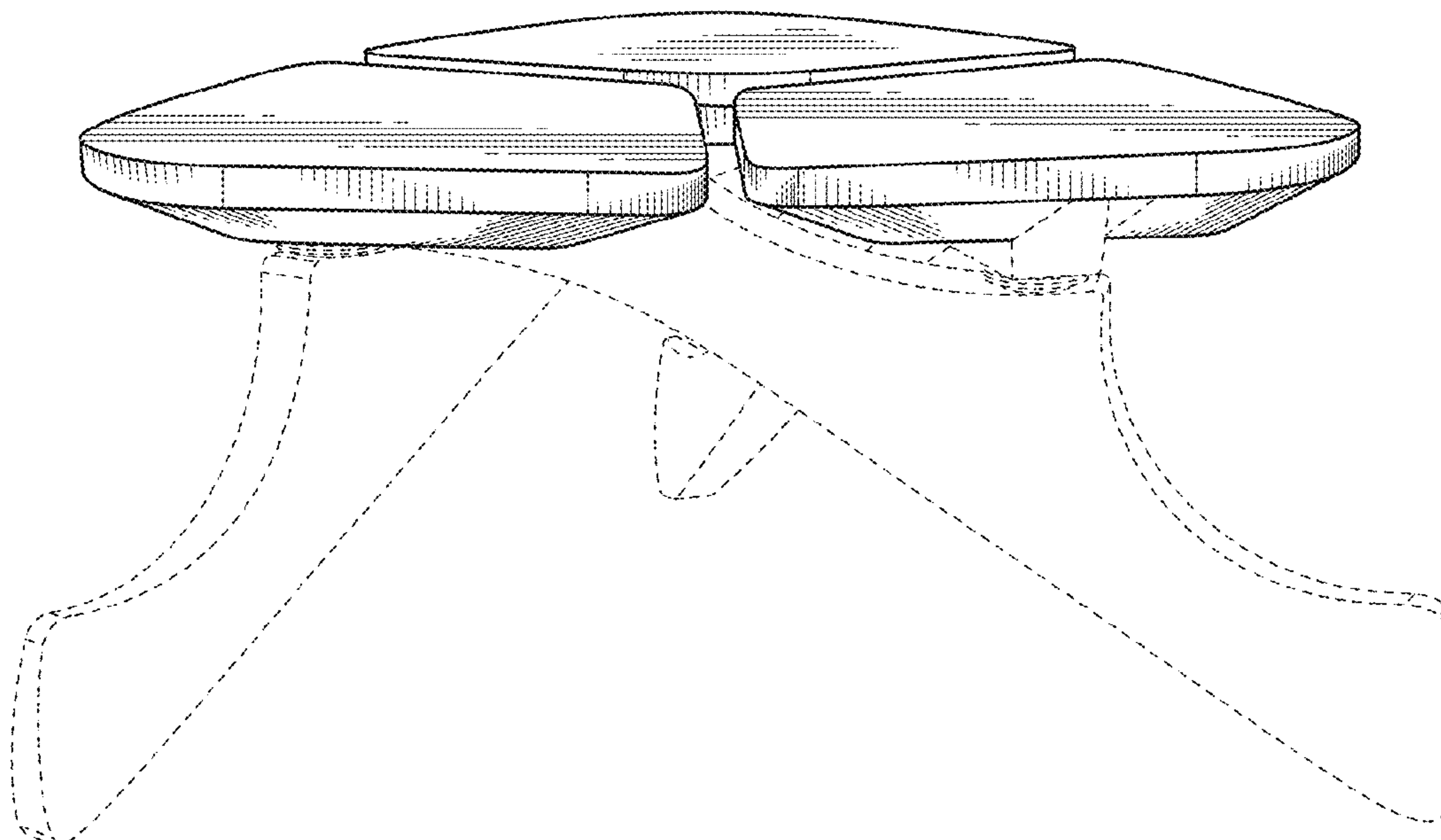
FIG. 6 is a top view of the furniture top of FIG. 1; and,

FIG. 7 is a bottom view of the furniture top of FIG. 1.

In the drawings, the broken lines illustrate the environment
in which the furniture top is used and forms no part of the
claimed design.

The furniture top may be used for a stool, chair or table.

1 Claim, 5 Drawing Sheets



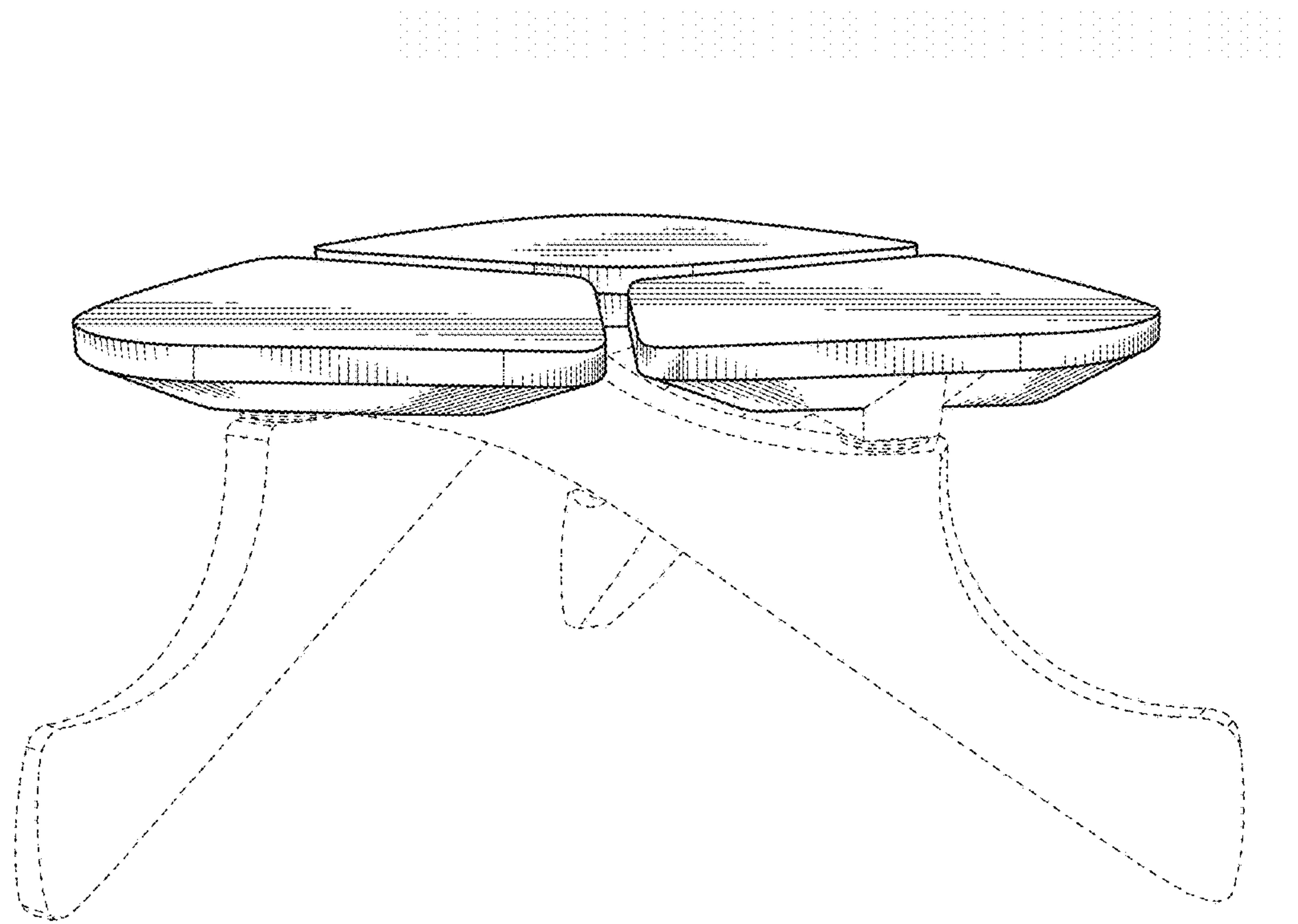


FIG. 1

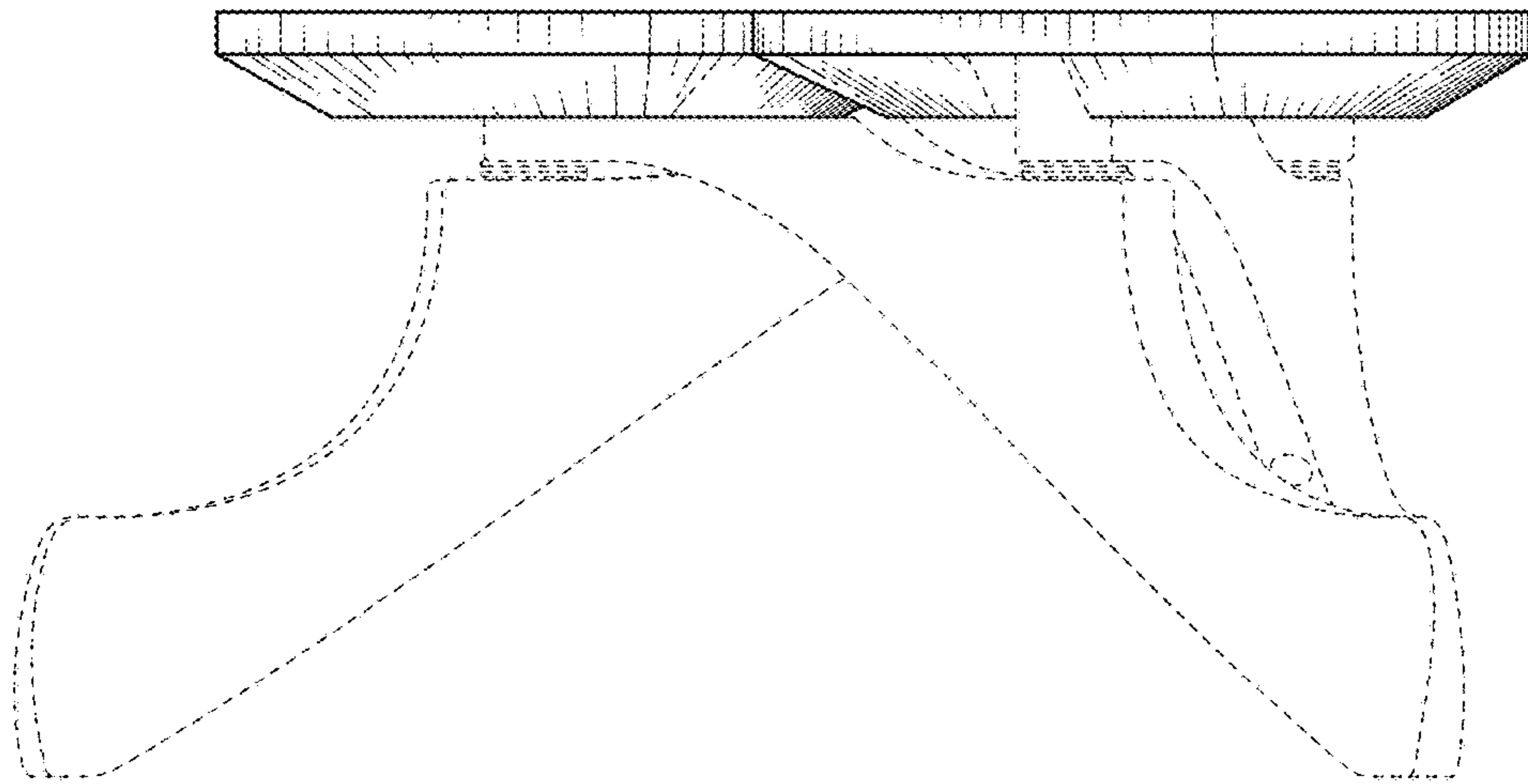


FIG. 2

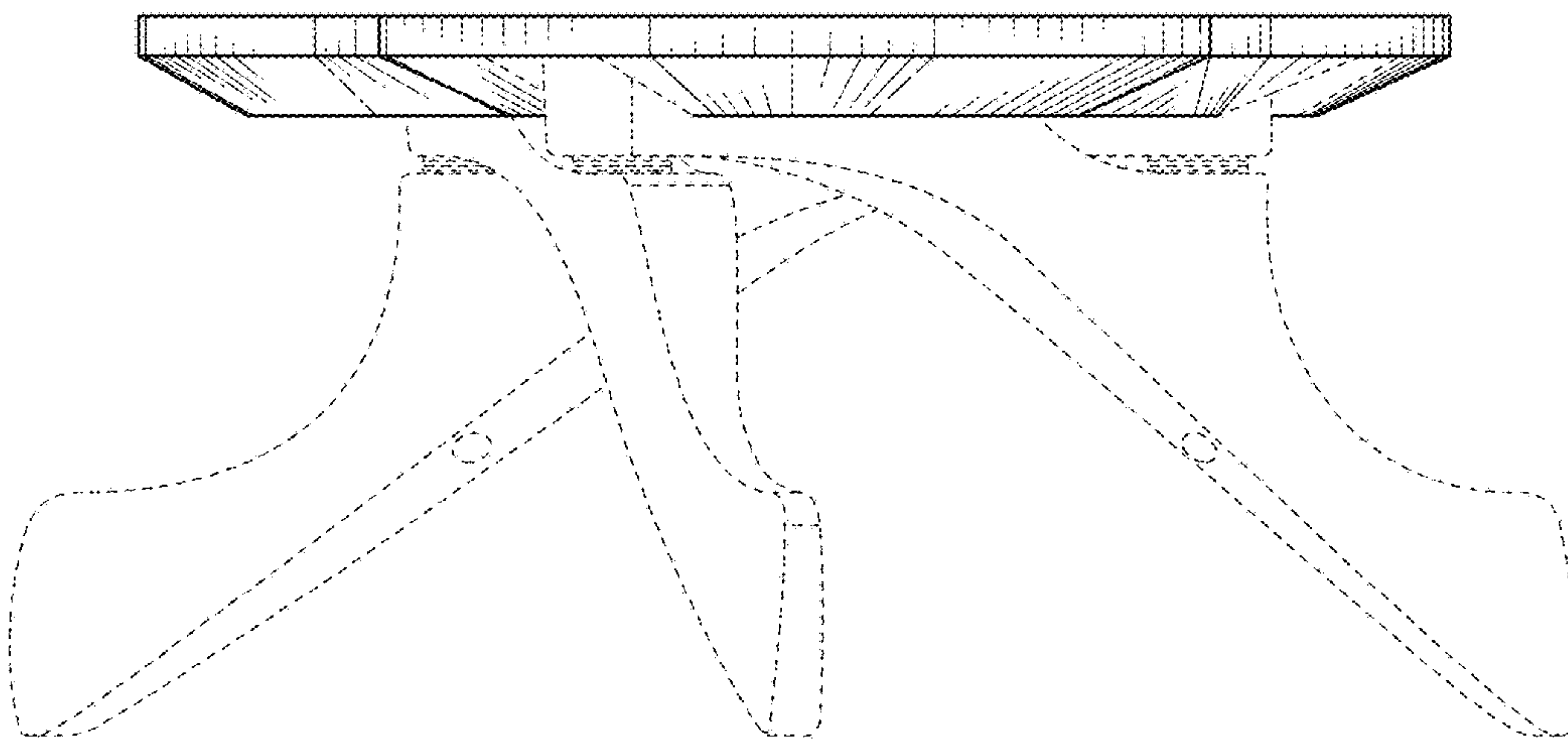


FIG. 3

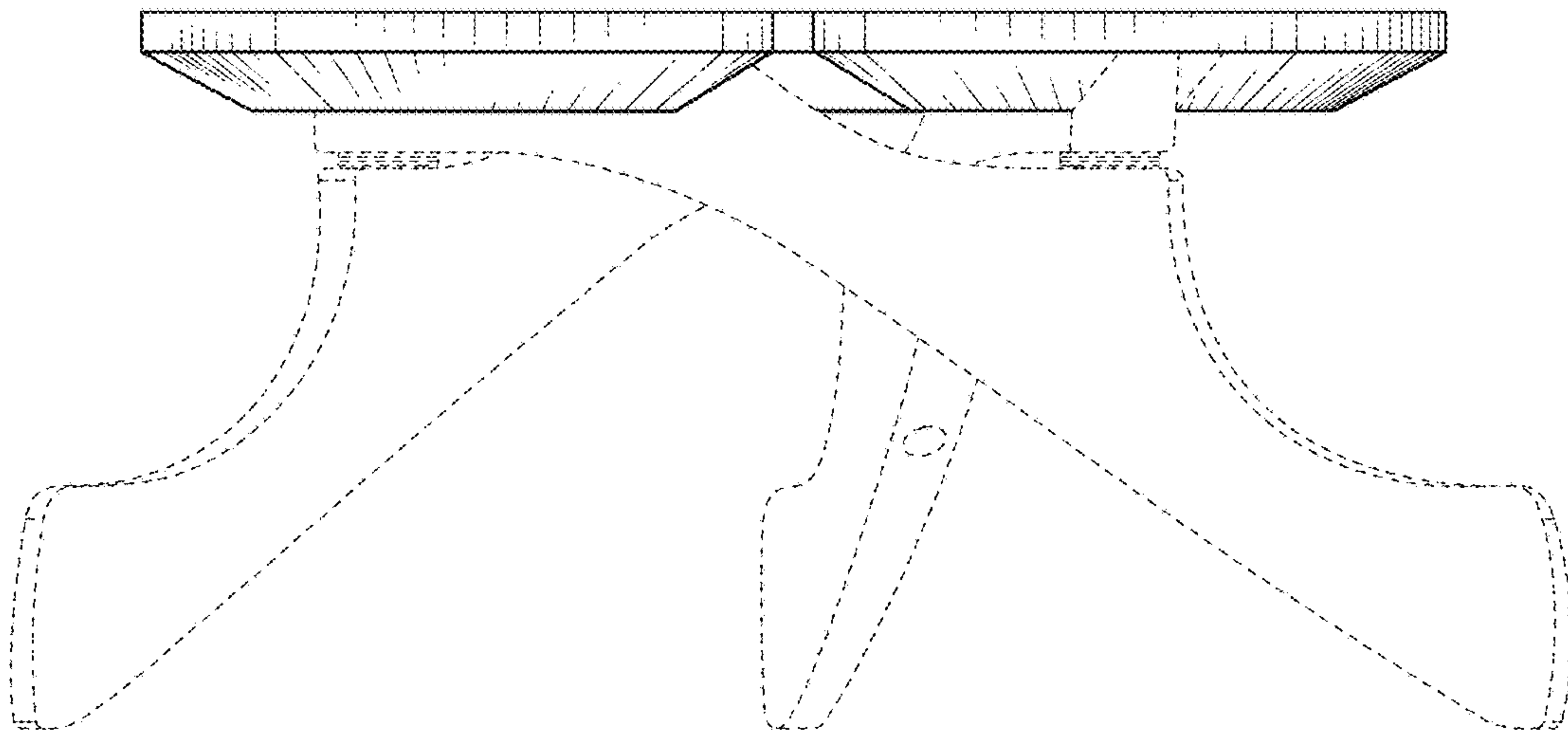


FIG. 4

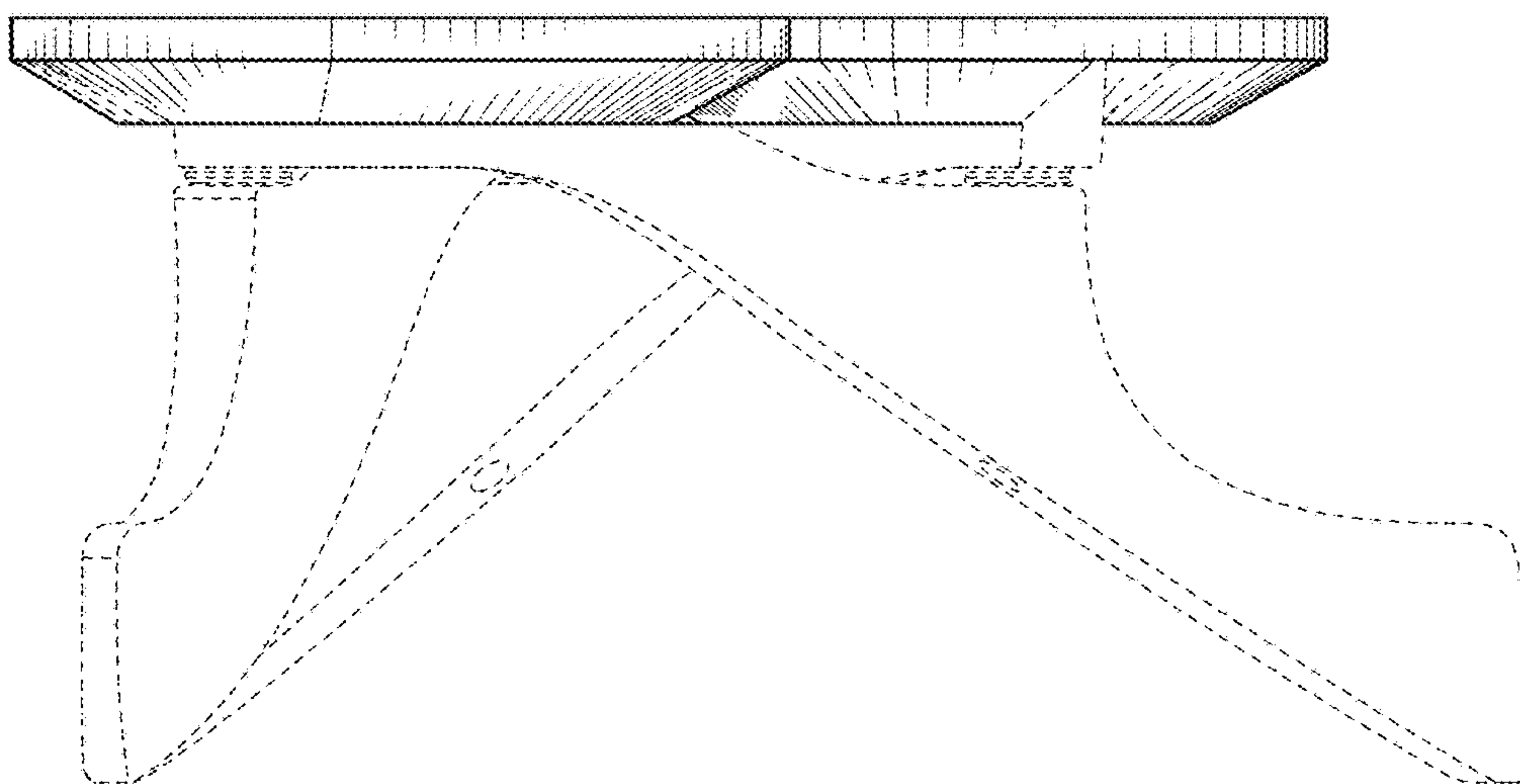


FIG. 5

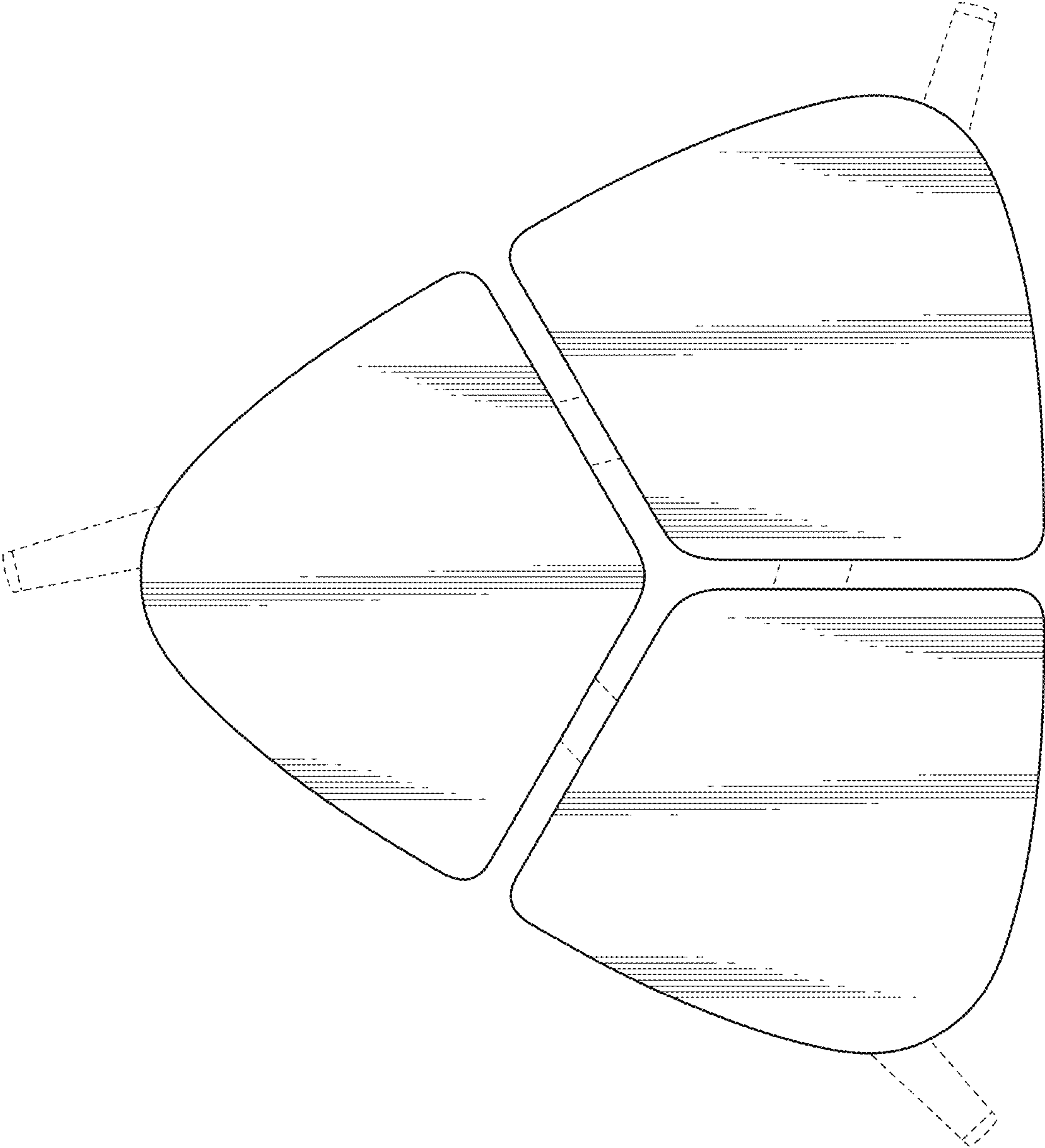


FIG. 6

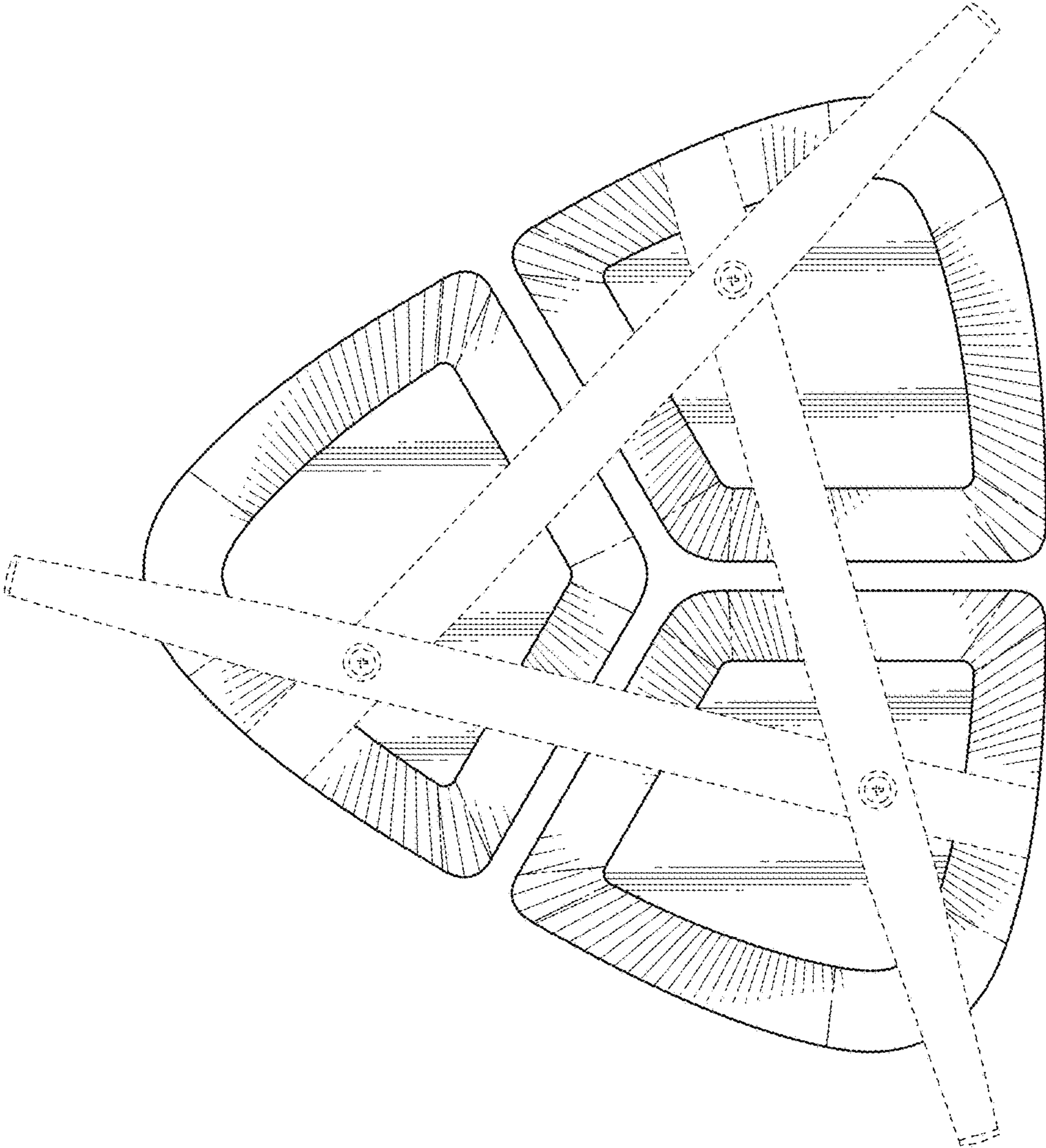


FIG. 7