



US00D786594S

(12) **United States Design Patent**  
**Yamamoto**

(10) **Patent No.:** **US D786,594 S**

(45) **Date of Patent:** **\*\* May 16, 2017**

(54) **DESK**

A47F 5/01; F16B 7/00; F16B 7/04; F16B 7/12; F16B 12/02; F16B 12/04

(71) Applicant: **Okamura Corporation**, Yokohama-shi, Kanagawa (JP)

See application file for complete search history.

(72) Inventor: **Takayuki Yamamoto**, Yokohama (JP)

(56) **References Cited**

(73) Assignee: **Okamura Corporation**, Yokohama-shi, Kanagawa (JP)

U.S. PATENT DOCUMENTS

(\*\*) Term: **15 Years**

2,719,067	A *	9/1955	Percy .....	A47B 3/087 108/35
2,750,243	A *	6/1956	Zielfeldt .....	A47B 3/0803 108/1
2,755,153	A *	7/1956	Rachman .....	A47B 3/083 108/35
2,835,544	A *	5/1958	Dobkin .....	A47B 3/02 108/120

(21) Appl. No.: **29/545,102**

(22) Filed: **Nov. 10, 2015**

(Continued)

(30) **Foreign Application Priority Data**

*Primary Examiner* — Kevin Rudzinski

May 12, 2015 (JP) ..... 2015-010310

*Assistant Examiner* — Paul Bohannon

(51) **LOC (10) Cl.** ..... **06-03**

(74) *Attorney, Agent, or Firm* — Sughrue Mion, PLLC

(52) **U.S. Cl.**  
USPC ..... **D6/702**

(57) **CLAIM**

The ornamental design for a desk, as shown and described.

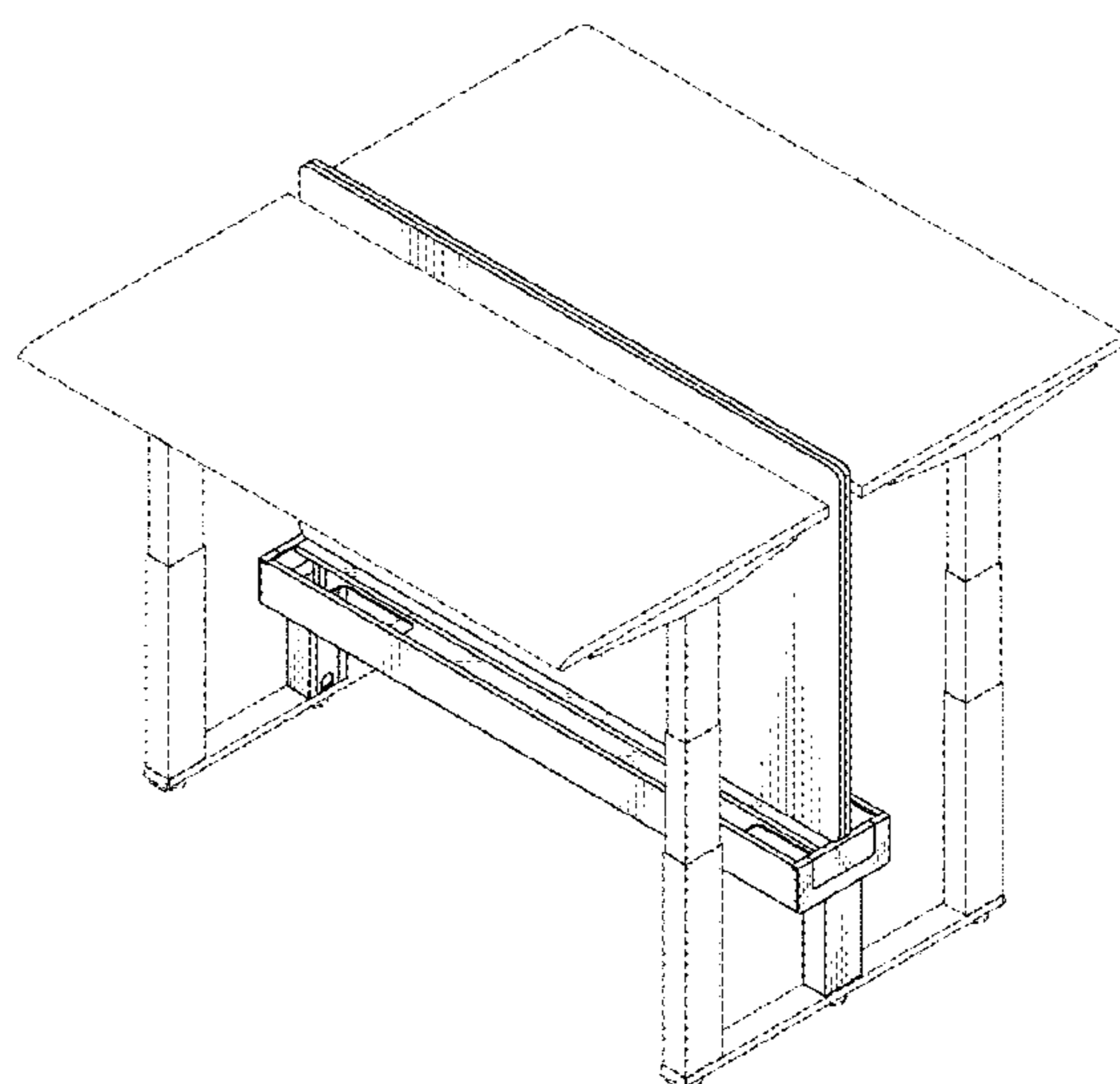
(58) **Field of Classification Search**  
USPC ..... D6/310, 312, 708, 708.22, 708.23, 512, D6/707.19, 663, 664, 667, 671, 671.1, D6/671.2, 655, 705.6, 657, 705, 705.4, D6/702, 703, 703.3, 703.6, 675, 675.2, D6/705.1, 656, 406.3; D24/159; D34/19; D14/205; D7/600.1, 600.4, 704, 641; D8/300, 301, 315, 321, 382; D26/113, D26/138

**DESCRIPTION**

CPC .. A47B 9/04; A47B 9/18; A47B 17/04; A47B 67/00; A47B 67/04; A47B 88/04; A47B 88/00; A47B 88/0044; A47B 87/00; A47B 13/08; A47B 43/00; A47B 45/00; A47B 47/03; A47B 47/02; A47B 47/021; A47B 96/14; A47B 23/007; A47B 23/06044; A47B 2097/006; A47B 21/045; A47B 3/087; A47B 3/0803; A47B 3/02; A47B 27/14; A47B 85/06; H01L 25/0657; A45C 2011/002; A47F 5/0018; A47F 5/0031;

FIG. 1 is a perspective view of a desk.  
FIG. 2 is a front elevation view thereof. A rear elevation view is identical to the front elevation view.  
FIG. 3 is a right side elevation view thereof. A left side elevation view is identical to the right side elevation view.  
FIG. 4 is a top plan view thereof.  
FIG. 5 is a bottom plan view thereof.  
FIG. 6 is a cross-sectional view taken along the line 6-6 in FIG. 2.  
FIG. 7 is a cross-sectional view taken along the line 7-7 in FIG. 3; and,  
FIG. 8 is a cross-sectional view taken along the line 8-8 in FIG. 3, which omits the internal structure.  
The broken lines shown in the drawings illustrate portions of the desk that form no part of the claimed design.

**1 Claim, 8 Drawing Sheets**



(56)

**References Cited**

U.S. PATENT DOCUMENTS

3,358,620 A \* 12/1967 Parigi ..... A47B 27/14  
108/10  
3,932,009 A \* 1/1976 Zollinger ..... A47B 9/04  
108/147  
4,604,955 A \* 8/1986 Fleischer ..... A47B 9/04  
108/106  
4,604,956 A \* 8/1986 Grebel ..... A47B 9/04  
108/147  
5,788,575 A \* 8/1998 Fluster ..... A47B 23/044  
108/43  
6,289,825 B1 \* 9/2001 Long ..... A47B 9/00  
108/147  
6,354,227 B1 \* 3/2002 Feldpausch ..... A47B 85/06  
108/10  
6,380,630 B1 \* 4/2002 Kinsman ..... H01L 25/0657  
257/723  
D539,059 S \* 3/2007 Vander Park ..... D6/656  
7,398,738 B2 \* 7/2008 Newhouse ..... A47B 9/18  
108/147  
D591,983 S \* 5/2009 Mohundro ..... D6/657  
D609,935 S \* 2/2010 Sirotich ..... D6/655  
D732,853 S \* 6/2015 Engebretson ..... D6/657  
D745,788 S \* 12/2015 Schreiter ..... D6/406.3  
D752,757 S \* 3/2016 Li ..... D24/159

\* cited by examiner

FIG. 1

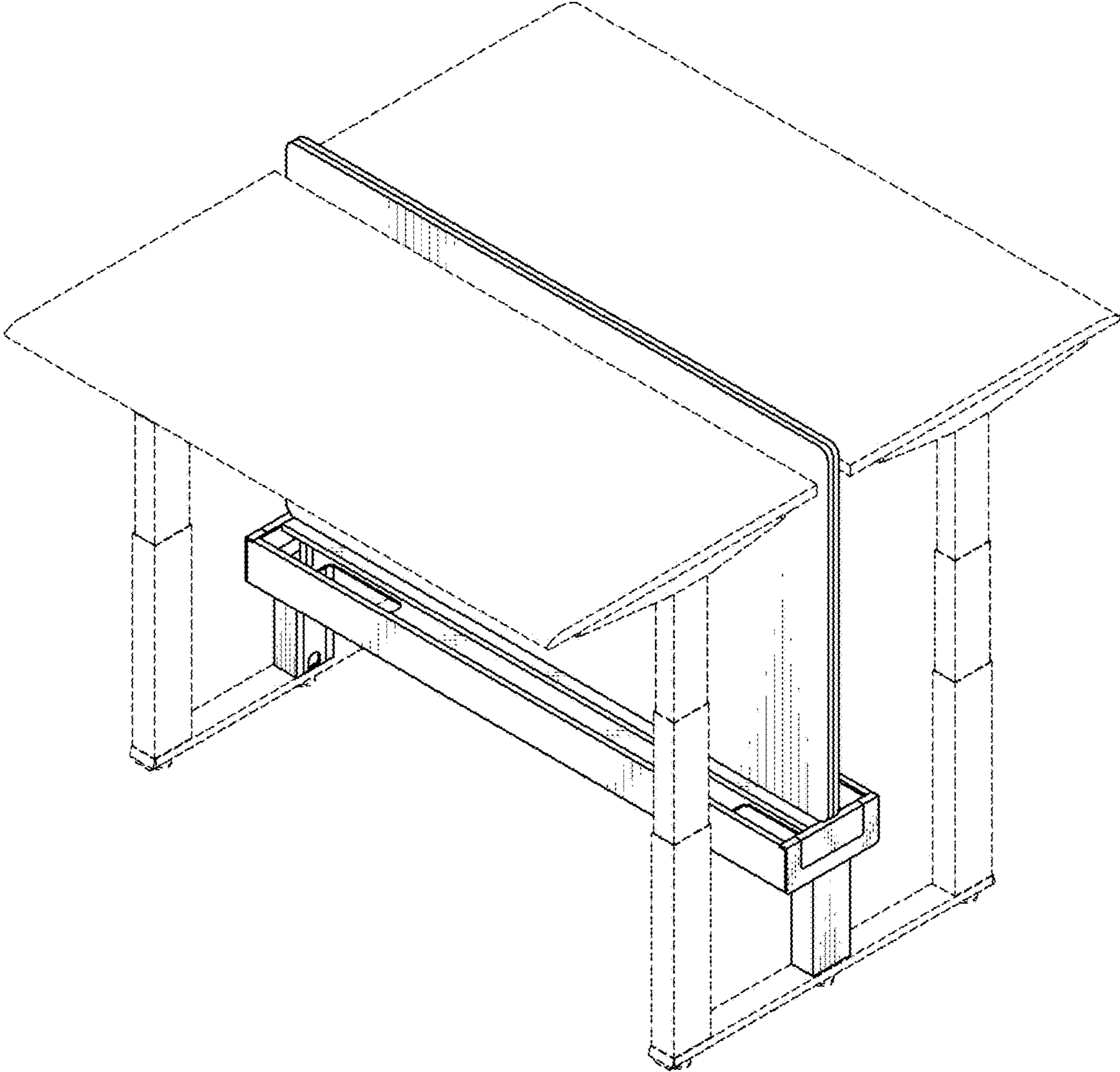


FIG. 2

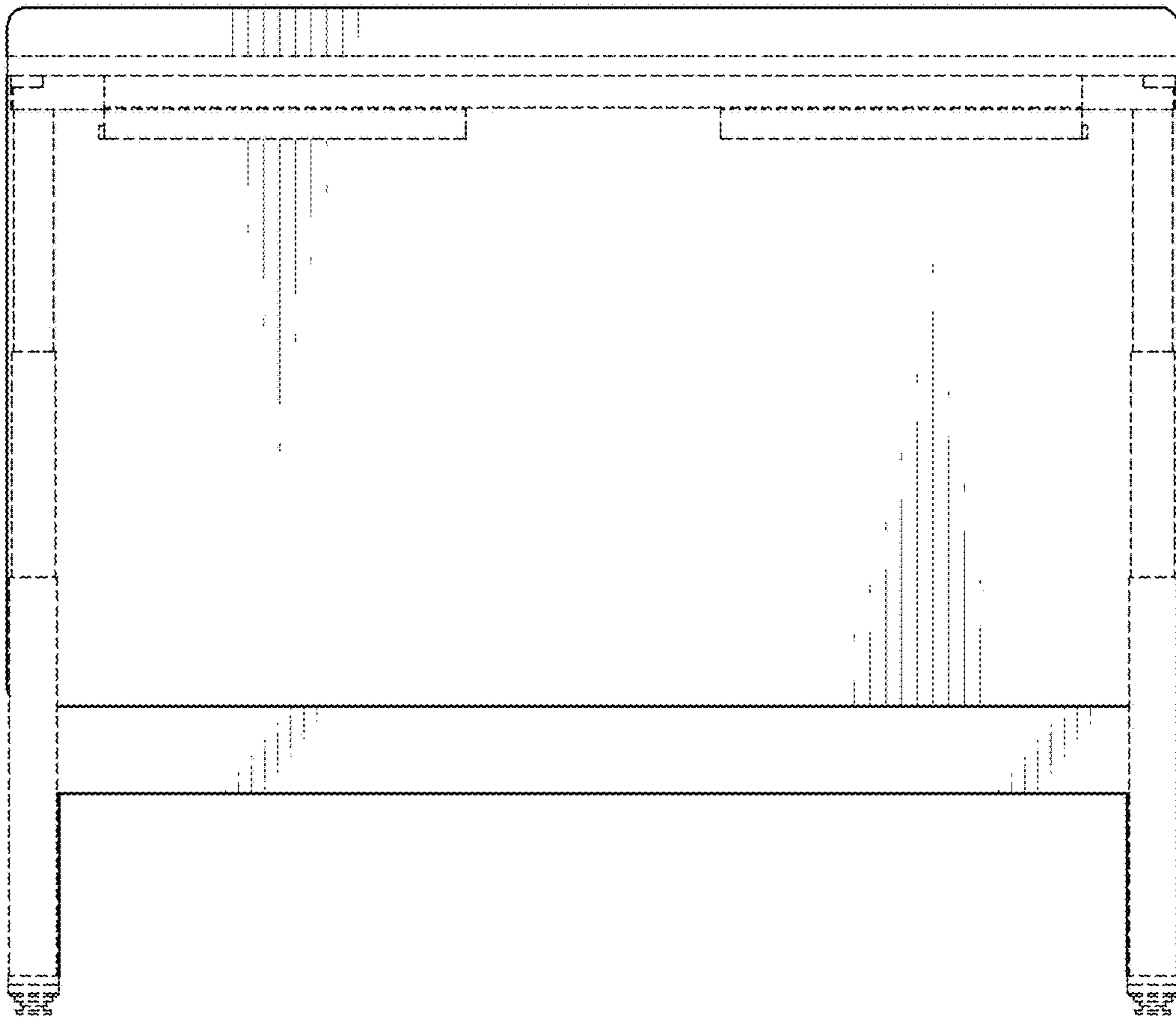


FIG. 3

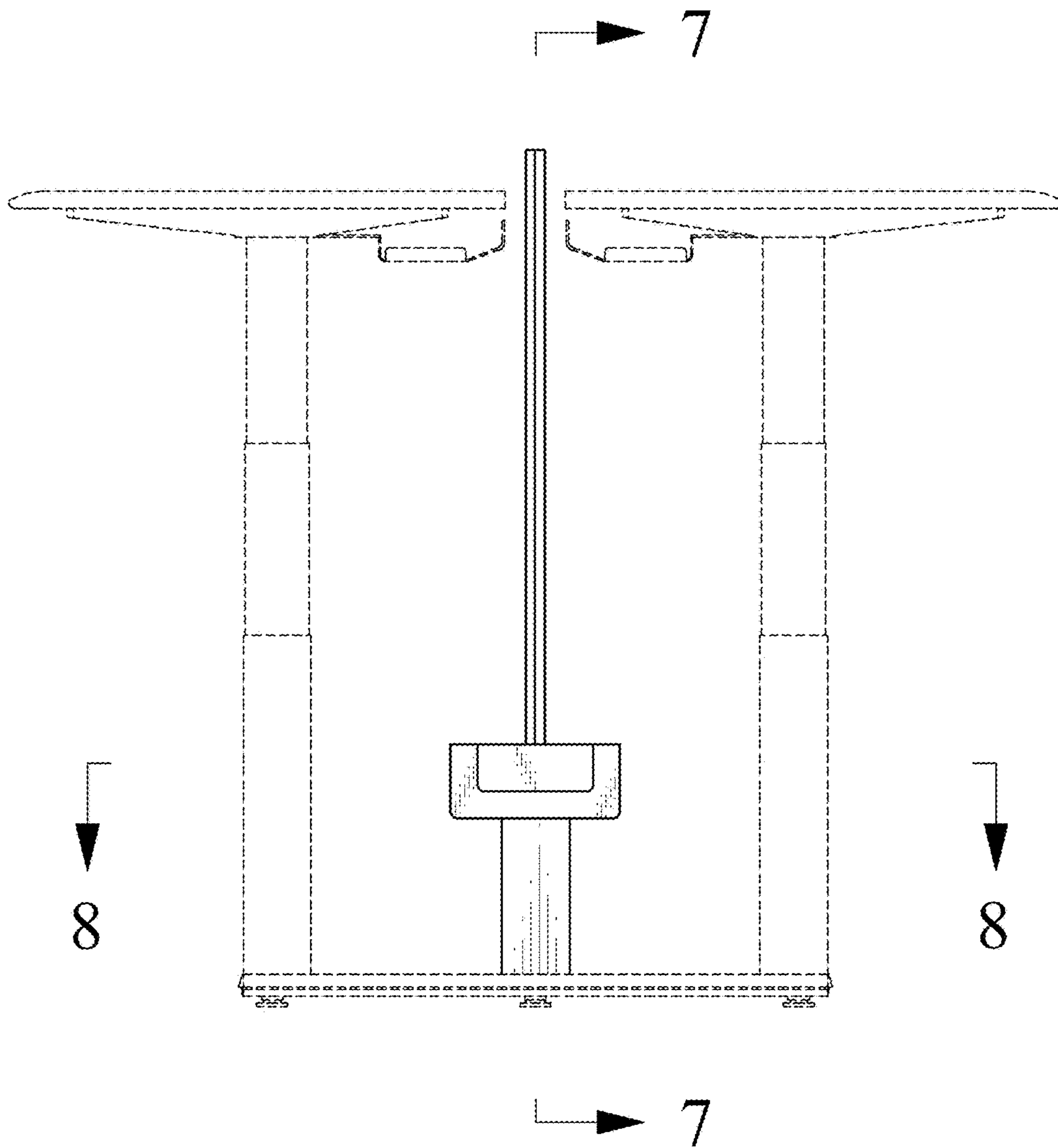


FIG. 4

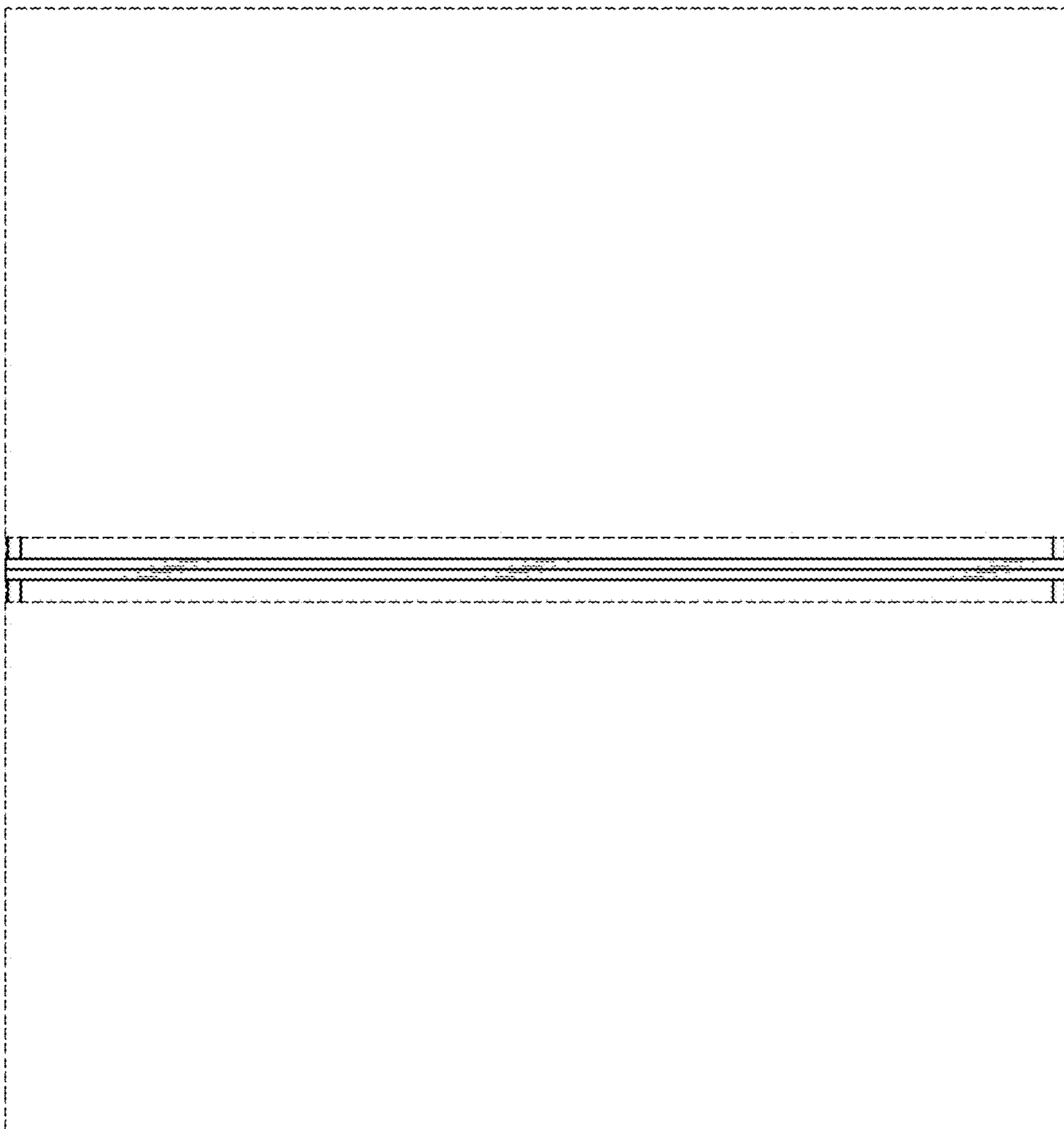




FIG. 5

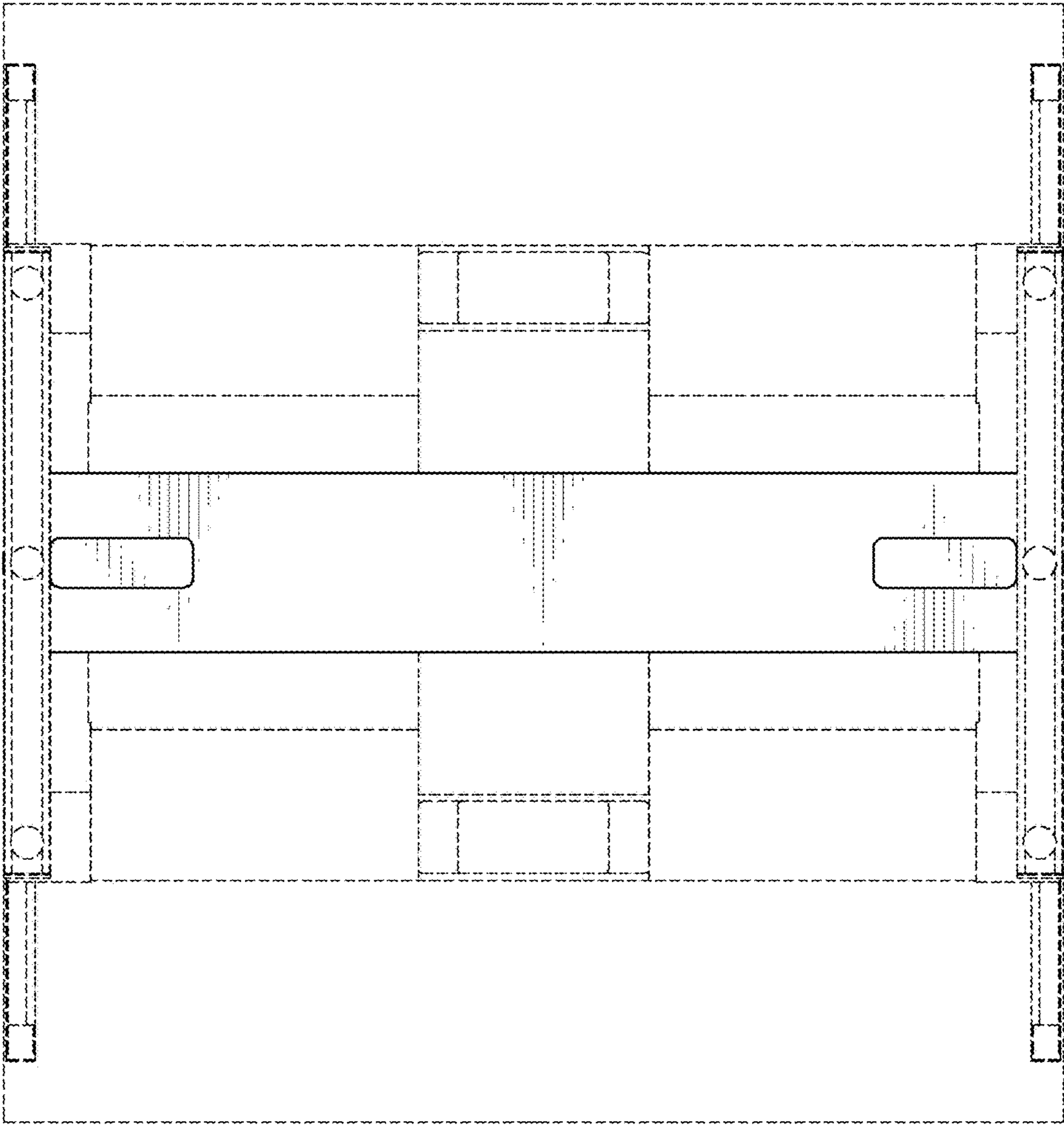


FIG. 6

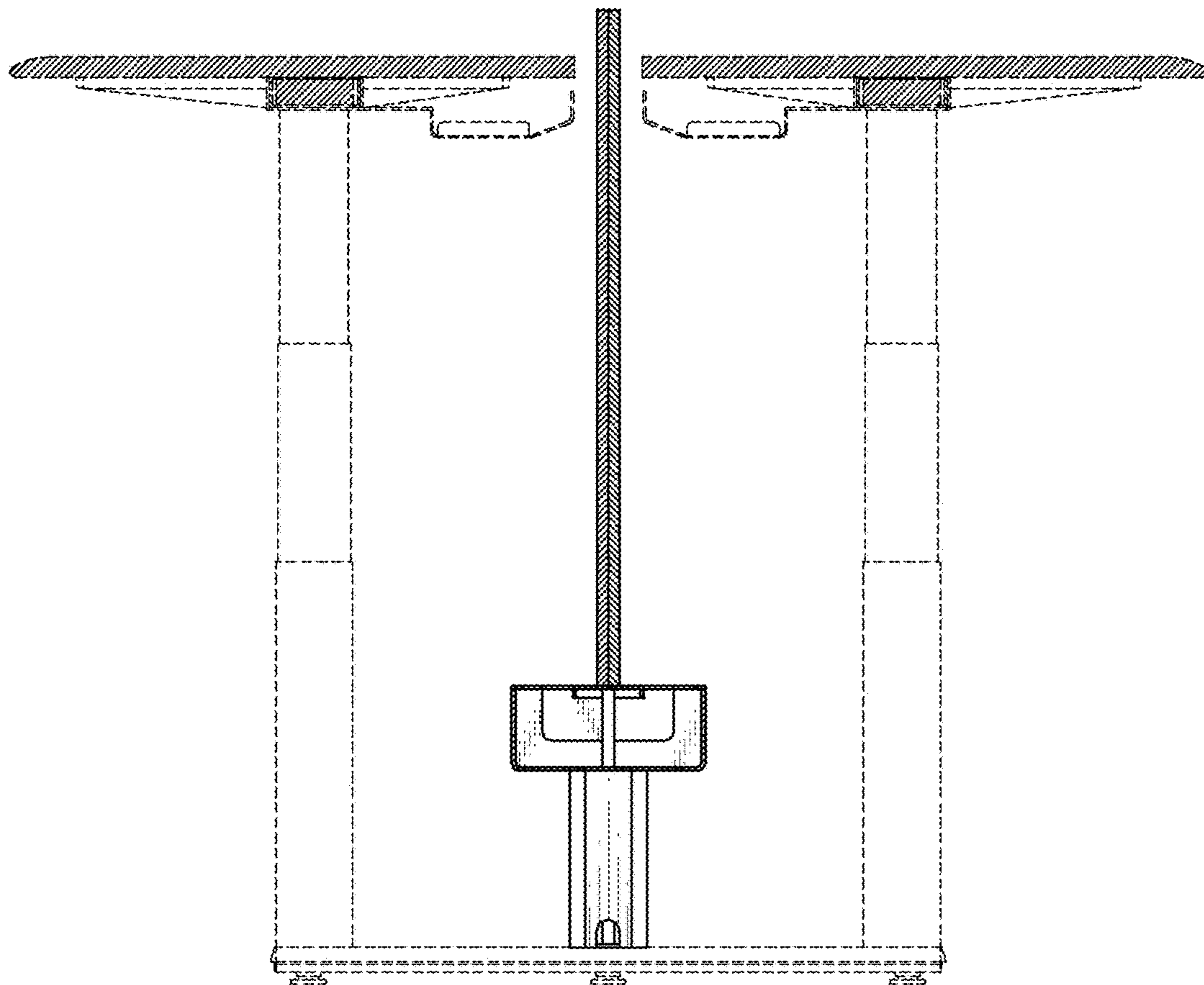




FIG. 7

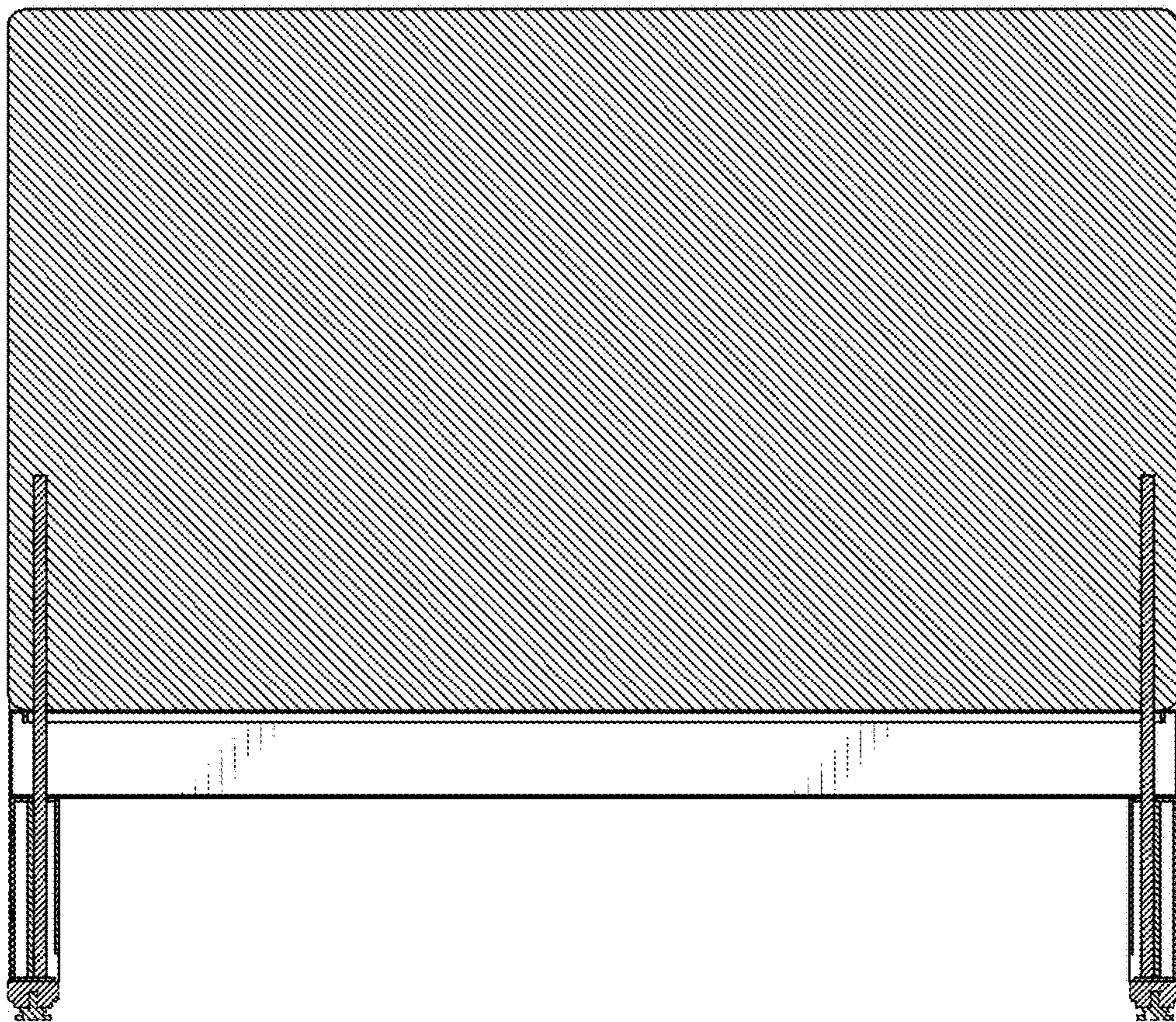


FIG. 8

