



US00D786593S

(12) **United States Design Patent**  
**Almaghlouth**

(10) **Patent No.:** **US D786,593 S**

(45) **Date of Patent:** **\*\* May 16, 2017**

(54) **HOOKAH TABLE**

(71) Applicant: **Tawfiq Almaghlouth**, Ras Tanura (SA)

(72) Inventor: **Tawfiq Almaghlouth**, Ras Tanura (SA)

(\*\*) Term: **15 Years**

(21) Appl. No.: **29/545,396**

(22) Filed: **Nov. 12, 2015**

(51) **LOC (10) Cl.** ..... **06-03**

(52) **U.S. Cl.**  
USPC ..... **D6/692.4**

(58) **Field of Classification Search**  
USPC ..... D6/672, 677, 677.2, 677.3, 682, 682.1,  
D6/683, 685, 692, 692.1, 692.4, 692.6,  
D6/512  
CPC ... A47B 11/00; A47B 2013/025; A47B 13/04;  
A47B 13/06; A47B 13/081; A47B 13/16  
See application file for complete search history.

(56) **References Cited**

**U.S. PATENT DOCUMENTS**

D134,392 S	*	11/1942	Waltman et al.	.....	D6/692
2,780,081 A	*	2/1957	Alexander	.....	A47J 31/44
					141/341
D204,198 S	*	3/1966	Lippisch et al.	.....	D7/701
D232,877 S	*	9/1974	Kephart et al.	.....	D6/686
D249,317 S	*	9/1978	Korn	.....	D6/677.3
D249,855 S	*	10/1978	Levell	.....	D6/692
D254,428 S	*	3/1980	Lasowski	.....	D11/157

D279,300 S	*	6/1985	Wolf	.....	D11/157
D301,422 S	*	6/1989	Schmidt	.....	D19/105
D304,789 S	*	11/1989	Scholl	.....	D6/677.2
D309,539 S	*	7/1990	Lewis	.....	D6/692.6
D317,104 S	*	5/1991	Lyon	.....	D34/5
D370,142 S	*	5/1996	Konecny	.....	D6/677.1
D435,711 S	*	12/2000	Weiser	.....	D32/58
D716,593 S	*	11/2014	Rubio	.....	D11/144
D743,708 S	*	11/2015	Cohen	.....	D6/349
D745,785 S	*	12/2015	Cohen	.....	D6/349
D749,863 S	*	2/2016	Cohen	.....	D6/349
D771,420 S	*	11/2016	Almaghlouth	.....	D6/691.4

\* cited by examiner

*Primary Examiner* — John Windmuller

*Assistant Examiner* — Steven Czyz

(74) *Attorney, Agent, or Firm* — Arc IP Law, PC; Joseph J. Mayo

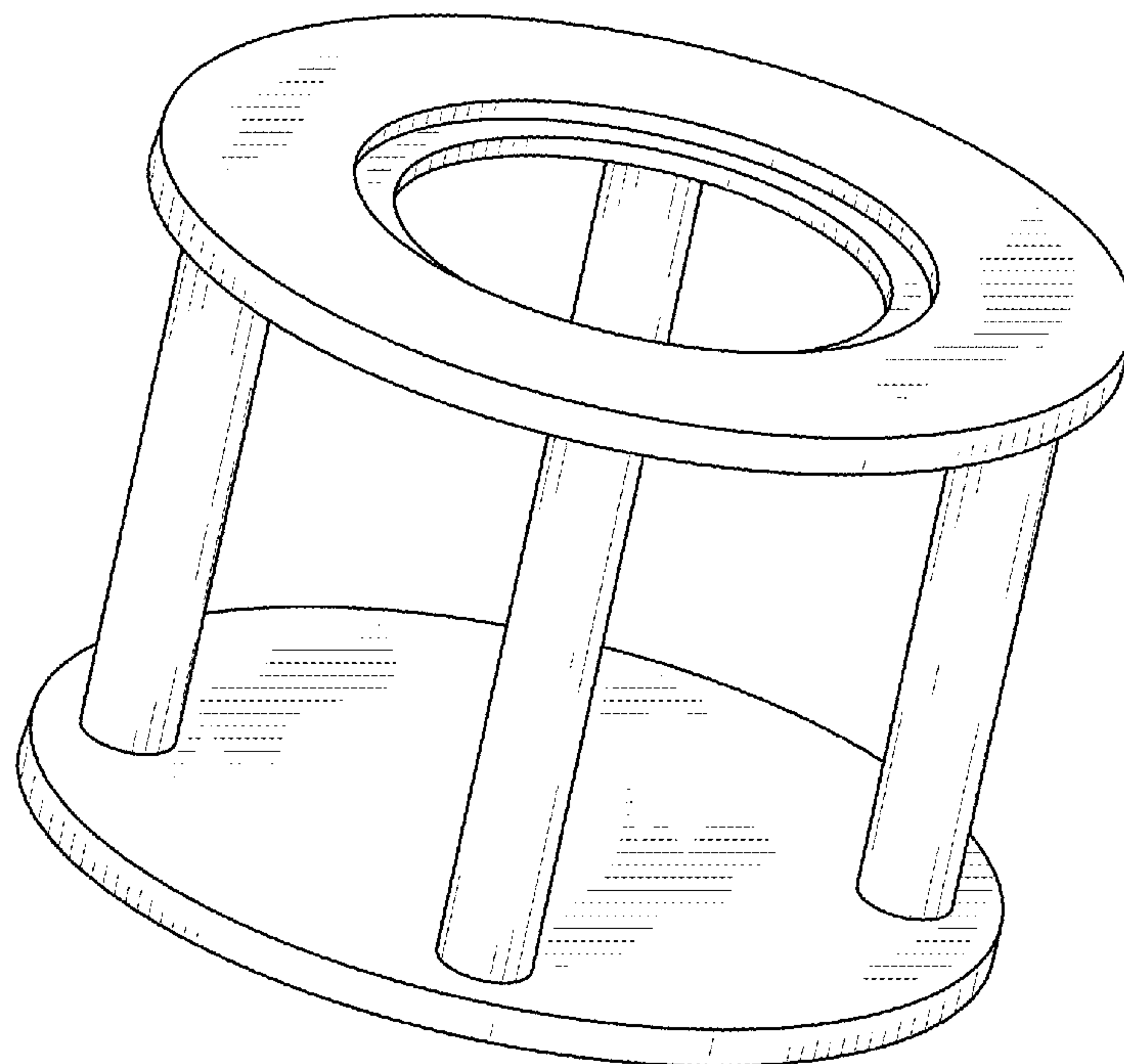
(57) **CLAIM**

The ornamental design for a hookah table, as shown and described.

**DESCRIPTION**

FIG. 1 is a top perspective view of a hookah table.  
FIG. 2 is a bottom perspective view of the hookah table of FIG. 1.  
FIG. 3 is a right side view of the hookah table of FIG. 1, of which the left side view, front view and back view are mirror images thereof.  
FIG. 4 is a top view of the hookah table of FIG. 1; and,  
FIG. 5 is a bottom view of the hookah table of FIG. 1.

**1 Claim, 5 Drawing Sheets**



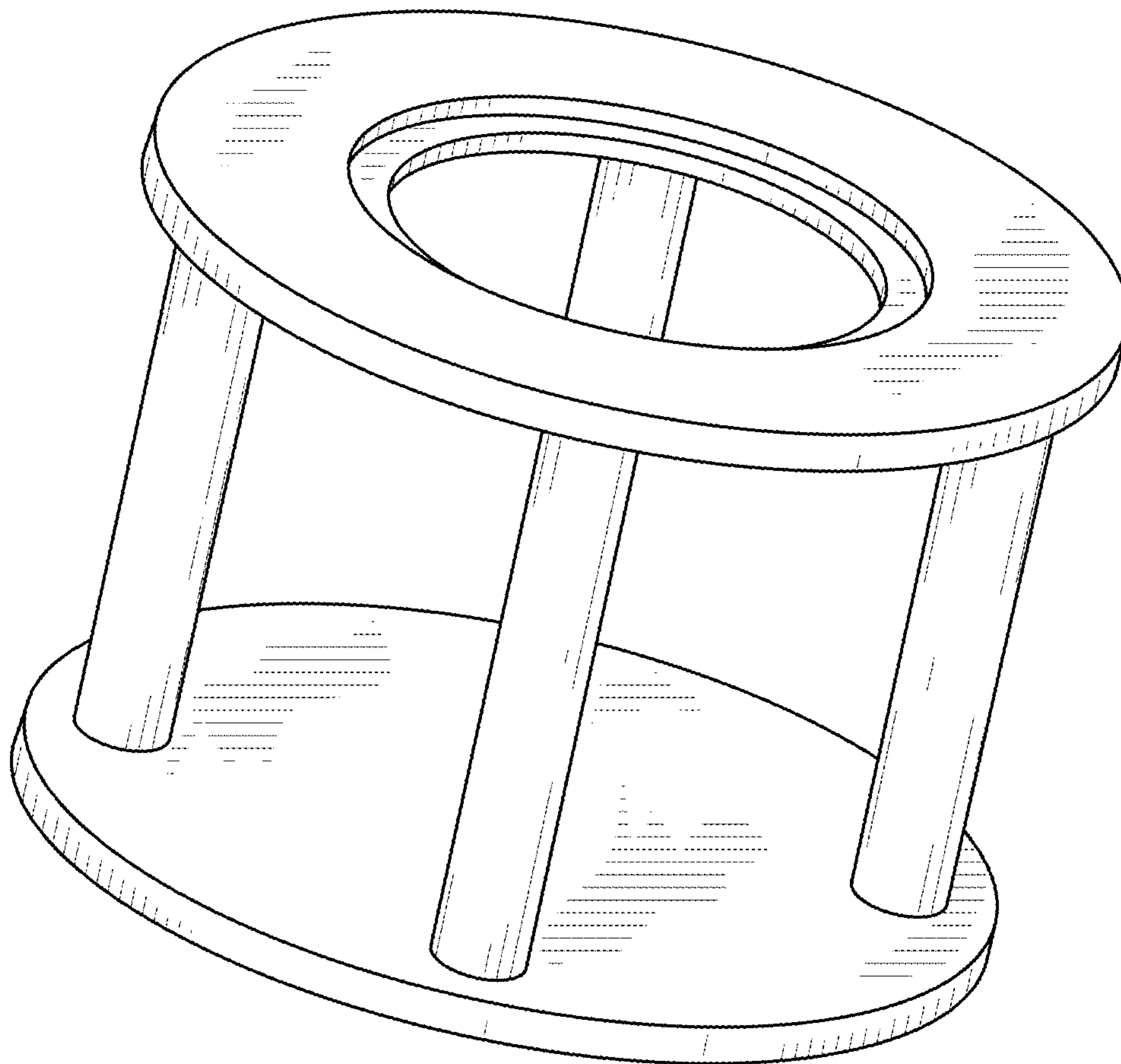


FIG. 1

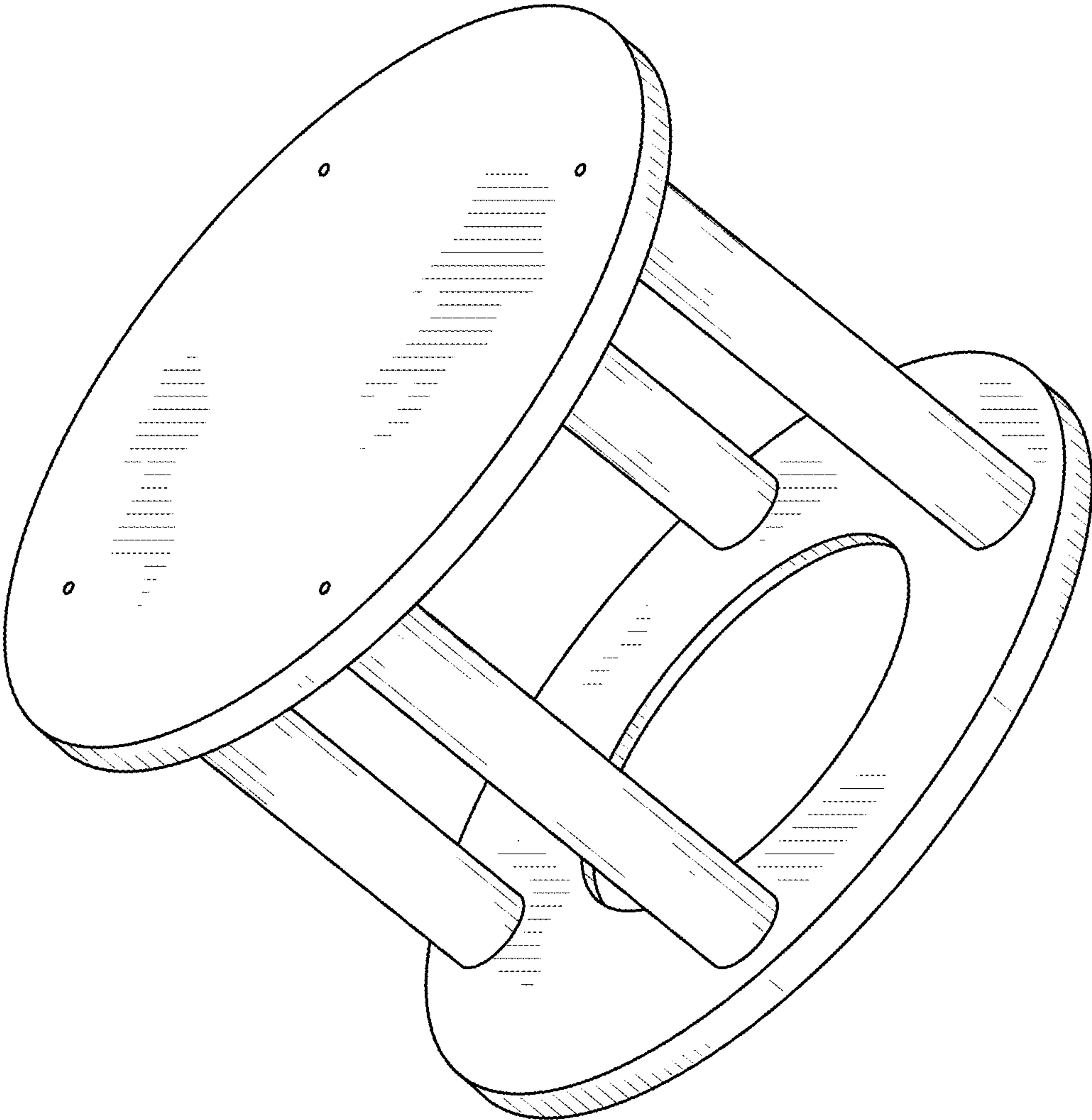


FIG. 2

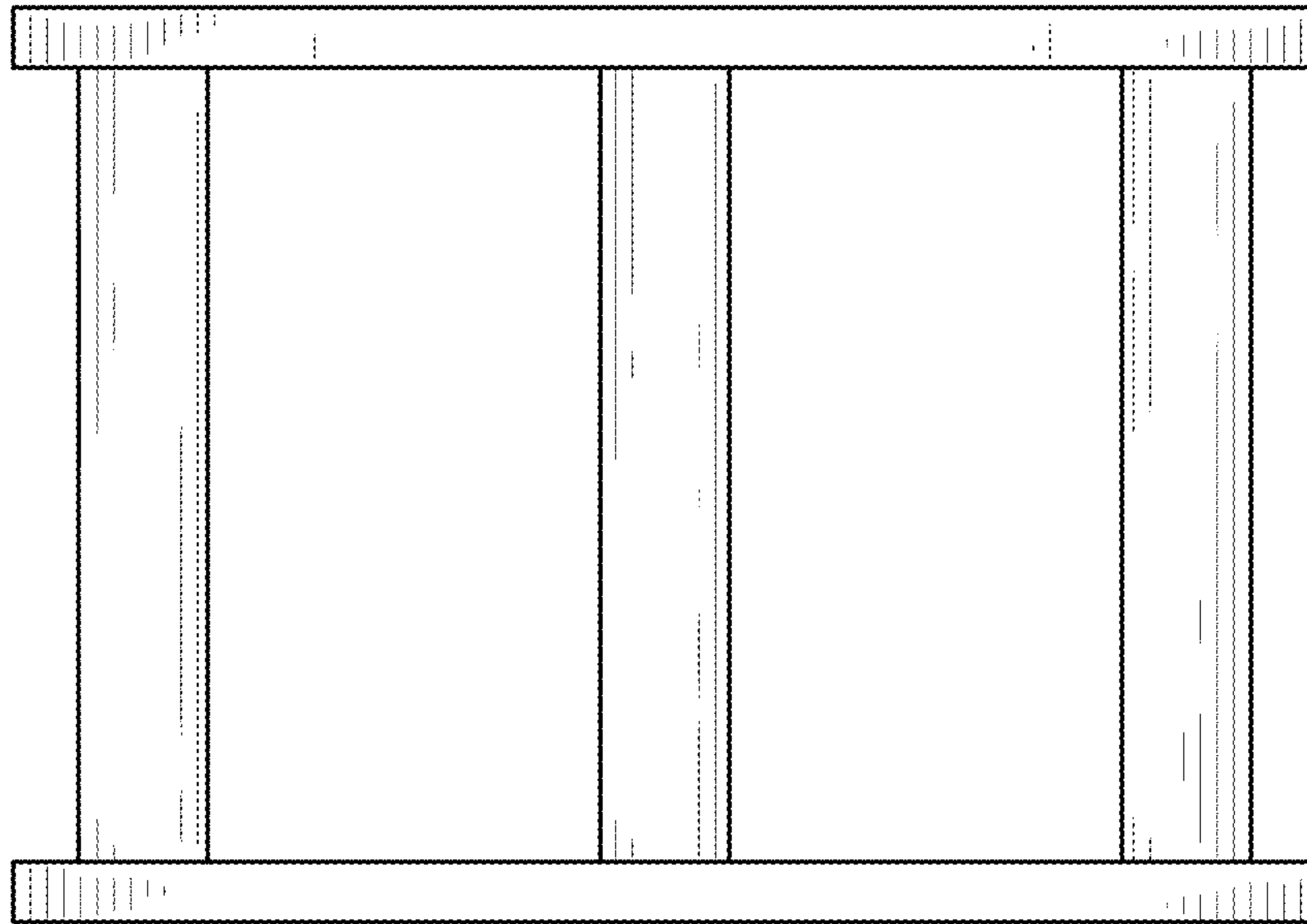


FIG. 3

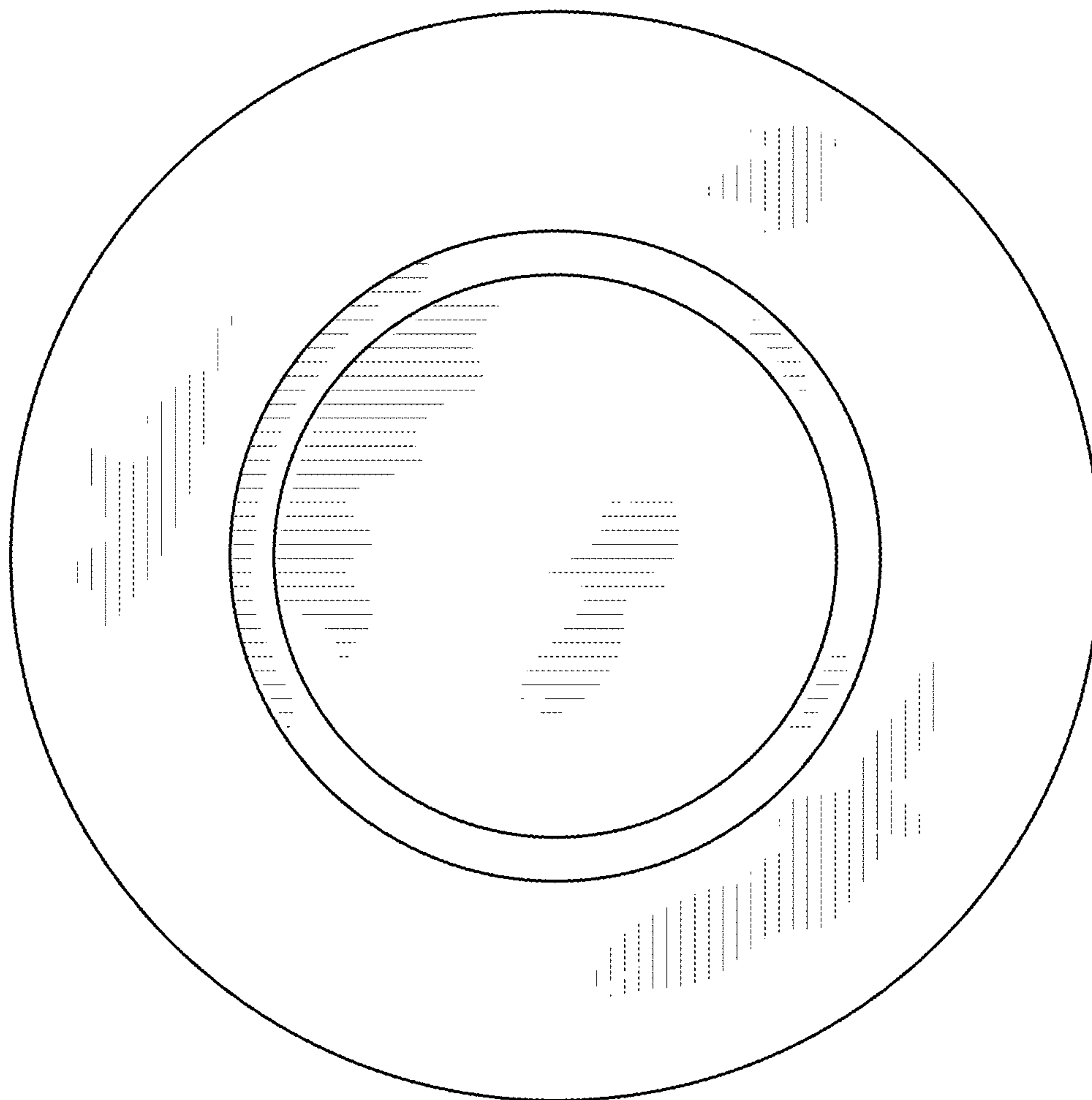


FIG. 4

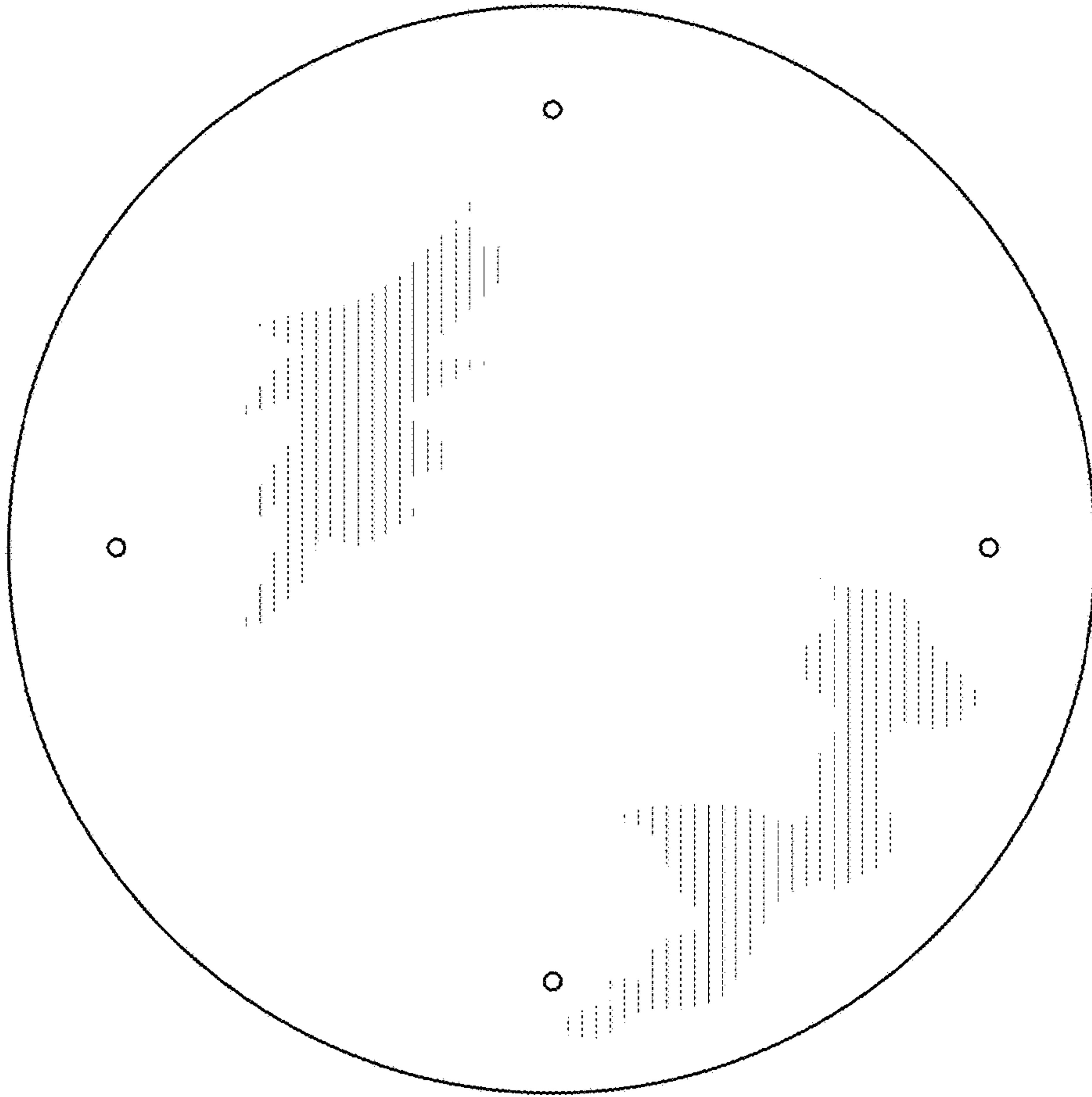


FIG. 5