



US00D786592S

(12) **United States Design Patent**
Bettin

(10) **Patent No.:** **US D786,592 S**

(45) **Date of Patent:** **** May 16, 2017**

(54) **TABLE**

(71) Applicant: **Dario Bettin**, Bari (IT)

(72) Inventor: **Dario Bettin**, Bari (IT)

(**) Term: **15 Years**

(21) Appl. No.: **29/537,980**

(22) Filed: **Aug. 31, 2015**

(51) **LOC (10) Cl.** **06-03**

(52) **U.S. Cl.**
USPC **D6/691.7**

(58) **Field of Classification Search**
USPC D6/707.1, 707.19, 707.23, 641, 708.23,
D6/708.24, 642-707

CPC A47B 7/00; A47B 13/08; A47B 13/10;
A47B 21/00; A47B 2009/006; A47B
11/00

See application file for complete search history.

(56) **References Cited**

U.S. PATENT DOCUMENTS

D168,167 S	*	11/1952	Molla	D6/708.15
D282,799 S	*	3/1986	Doezema	D6/708
D290,565 S	*	6/1987	Doezema	D6/691.8
D474,357 S	*	5/2003	Chen	D6/691.7
D661,127 S	*	6/2012	Arko	D6/691

D683,161 S	*	5/2013	Polloni	D6/691.8
D738,650 S	*	9/2015	Tonetti	D6/647
D749,345 S	*	2/2016	Everson	D6/691.1
D749,881 S	*	2/2016	Polidoros	D6/691.6

OTHER PUBLICATIONS

Metal and Glass Coffee and End Tables [online]. Utah New Furniture, 2016 [retrieved on Jul. 29, 2016]. Retrieved from the Internet<
<http://www.utahnewfurniture.com/occasional-tables-metal-and-glass.htm> >.*

* cited by examiner

Primary Examiner — Mary Ann Calabrese

Assistant Examiner — Sloan Rozin

(74) *Attorney, Agent, or Firm* — Egbert Law Offices, PLLC

(57) **CLAIM**

The ornamental design for a table, as shown and described.

DESCRIPTION

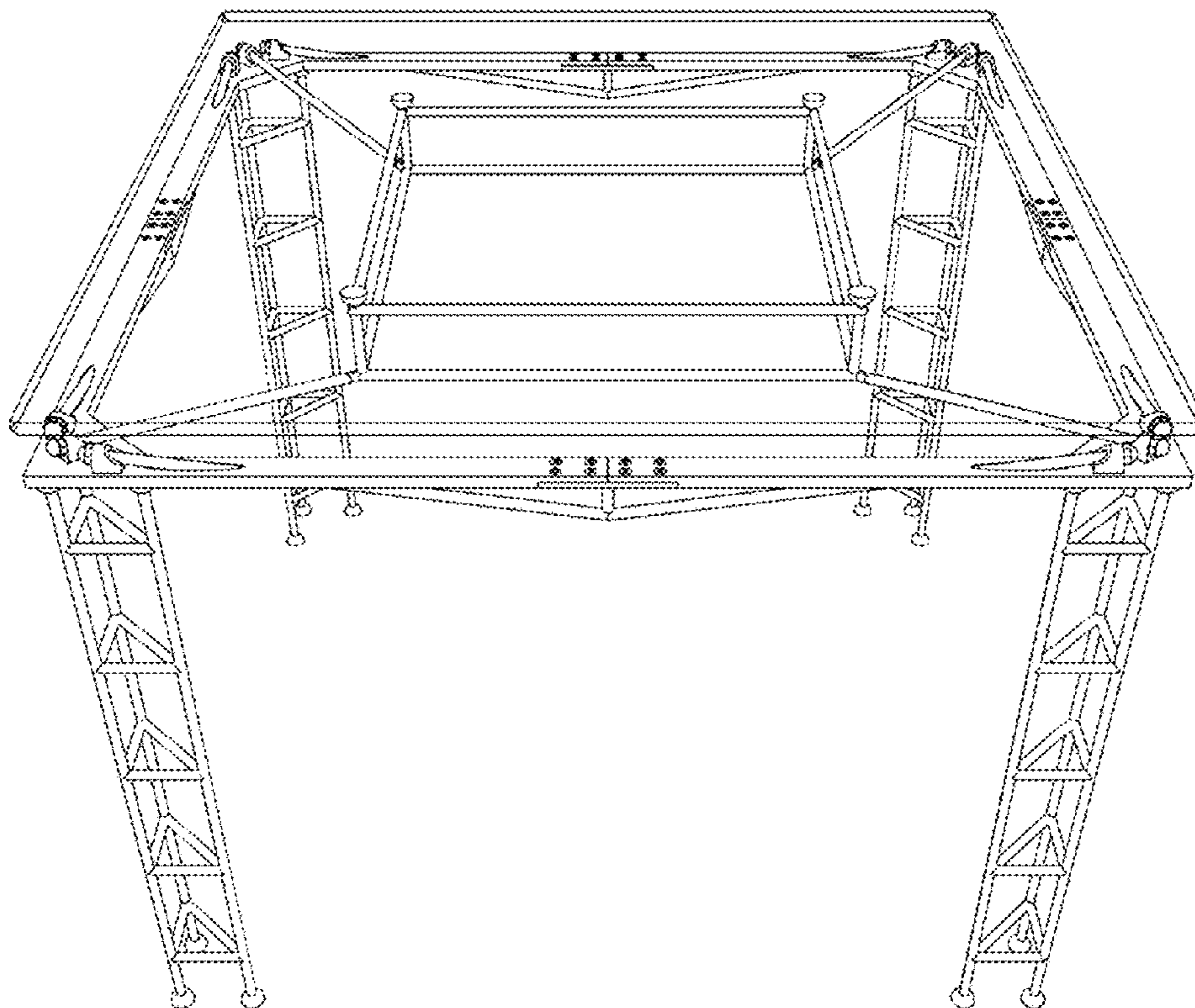
FIG. 1 is a front perspective view of a table showing my new design.

FIG. 2 is a top view thereof; and

FIG. 3 is a side perspective view thereof; and,

FIG. 4 is another side perspective view thereof.

1 Claim, 4 Drawing Sheets



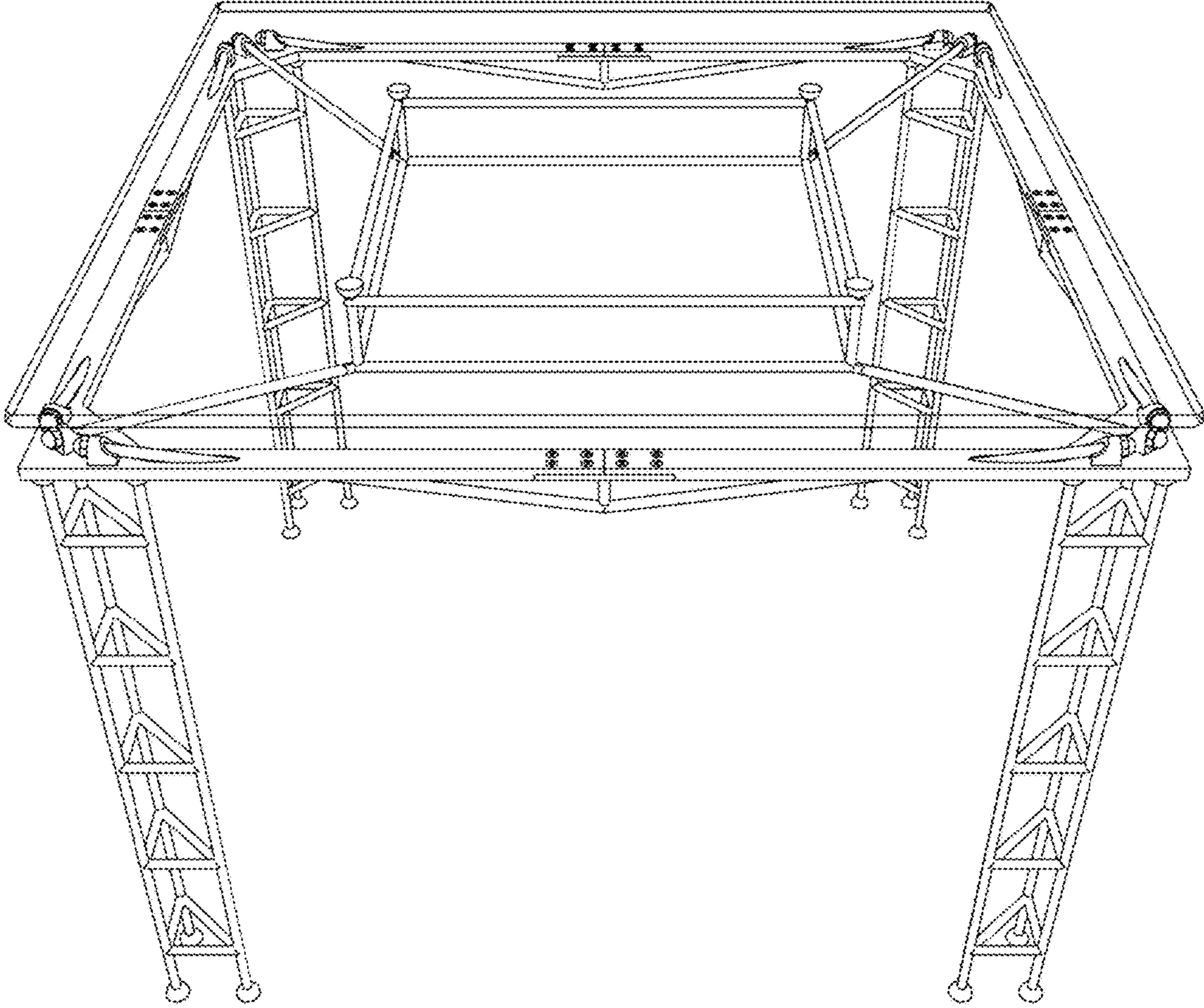


FIG.1

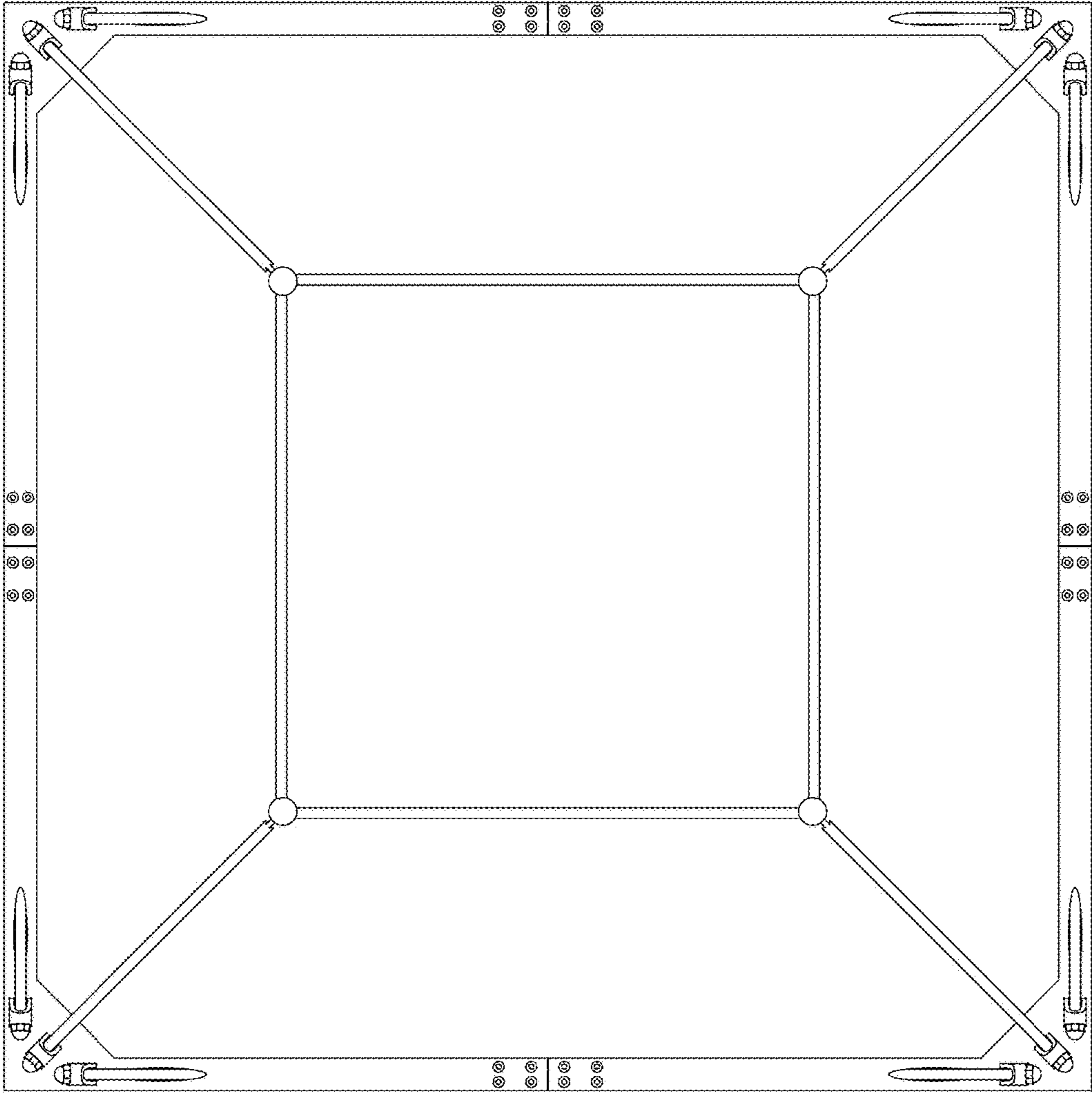


FIG. 2

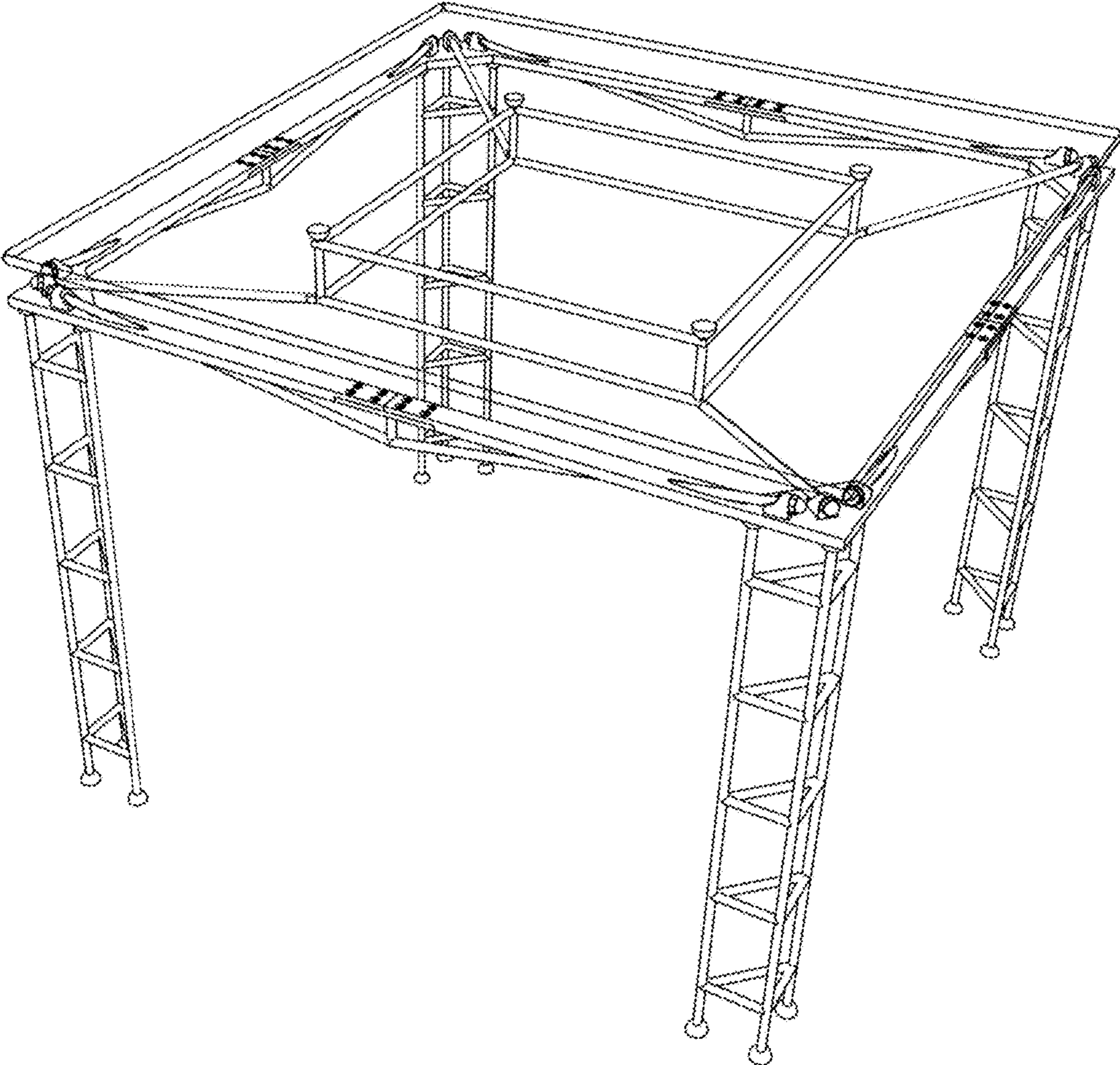


FIG.3

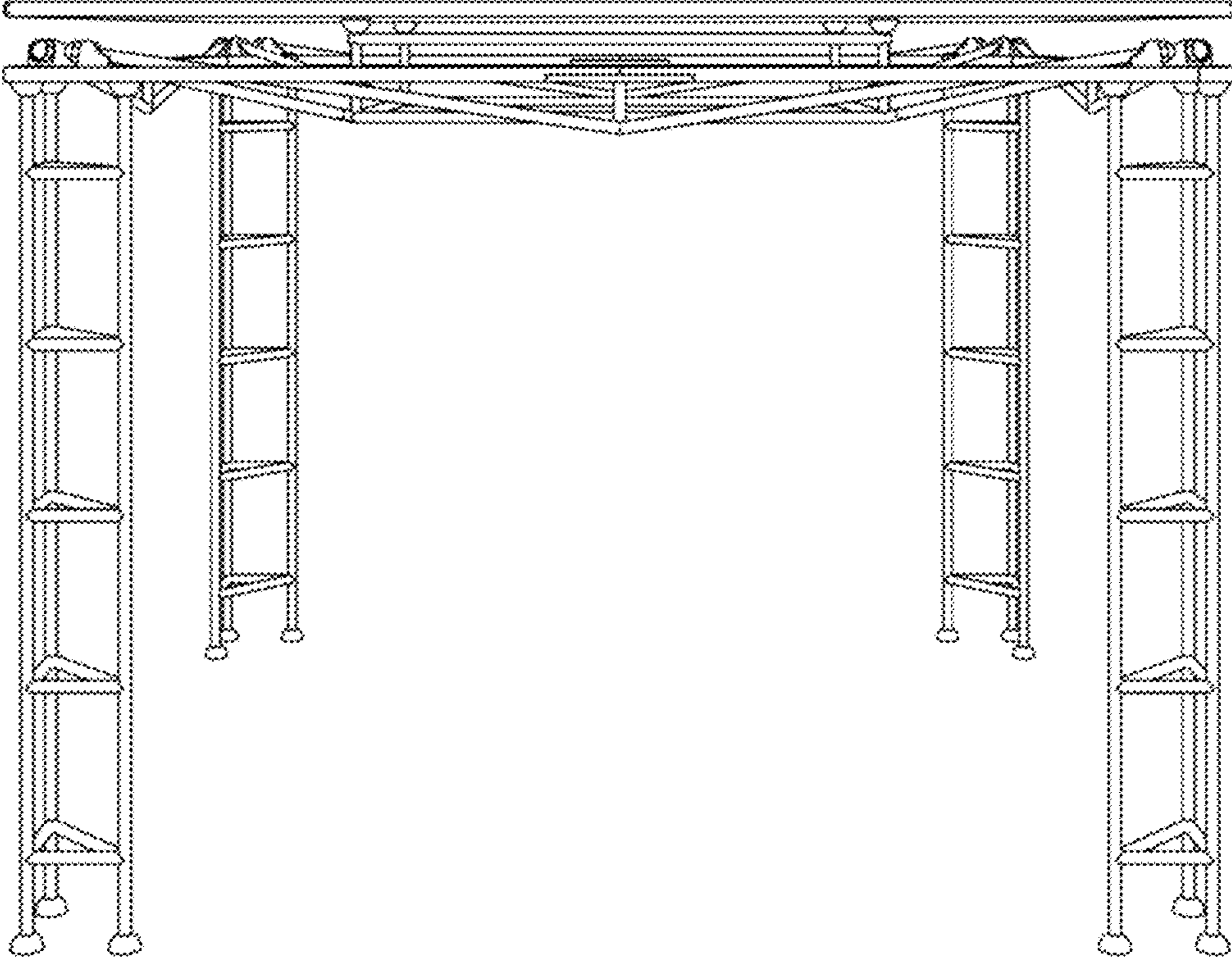


FIG.4