



US00D786590S

(12) **United States Design Patent** (10) **Patent No.:** **US D786,590 S**
Cook (45) **Date of Patent:** **** May 16, 2017**

- (54) **BALL DISPLAY CASE**
- (71) Applicant: **Deanna D. Cook**, Henrico, VA (US)
- (72) Inventor: **Deanna D. Cook**, Henrico, VA (US)
- (**) Term: **15 Years**
- (21) Appl. No.: **29/544,130**
- (22) Filed: **Oct. 30, 2015**

Related U.S. Application Data

- (62) Division of application No. 29/470,261, filed on Oct. 18, 2013, now Pat. No. Des. 744,772.
- (51) **LOC (10) Cl.** **06-06**
- (52) **U.S. Cl.**
USPC **D6/677**
- (58) **Field of Classification Search**
USPC D6/329, 552, 553, 677-678, 682, 682.1;
D21/385, 662, 698
CPC A63B 47/00; A47F 3/005
See application file for complete search history.

(56) **References Cited**

U.S. PATENT DOCUMENTS

D346,520 S *	5/1994	Barfield	D6/552
D363,184 S *	10/1995	Elhage	D6/552
D386,533 S *	11/1997	Kvoka	D20/42
D425,352 S *	5/2000	Paskan	D6/552
D436,134 S *	1/2001	Aguayo, Jr.	D20/10
D464,216 S *	10/2002	Rone	D6/661.3
D500,535 S *	1/2005	Thompson	D21/478
D544,280 S *	6/2007	Langenfeld	D6/574
D604,546 S *	11/2009	Alman	D6/552
D663,144 S *	7/2012	Rogers	D6/552
D667,240 S *	9/2012	Weldon	A47G 33/004 D6/661.3

(Continued)

Primary Examiner — Kelley Donnelly

(74) *Attorney, Agent, or Firm* — Patent Law of Virginia, PLLC; Brian J. Teague

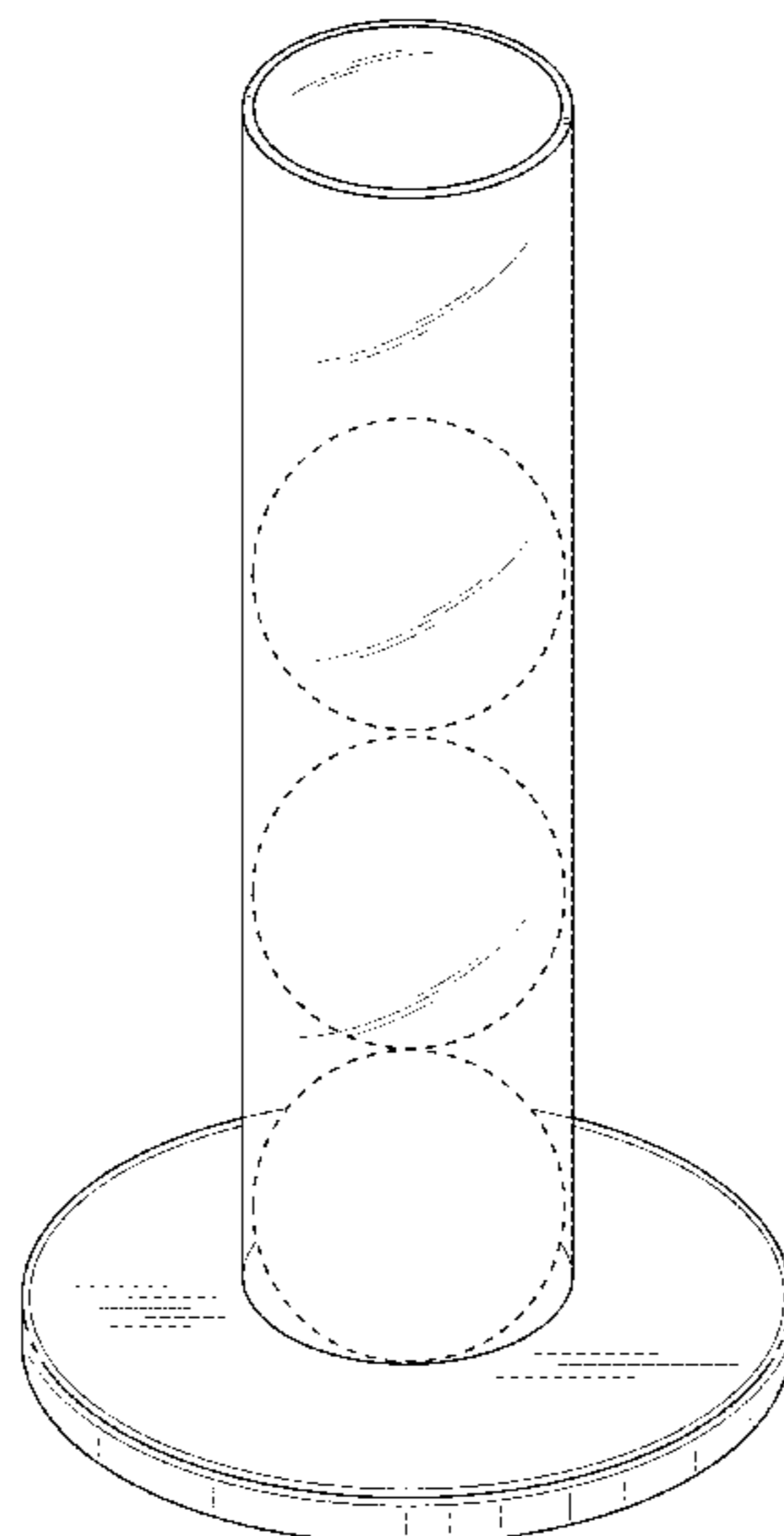
(57) **CLAIM**

I claim the ornamental design for a ball display case, as shown and described.

DESCRIPTION

FIG. 1 is a perspective view of a ball display case showing the new design, shown with balls displayed therein. FIG. 2 is a perspective view thereof, shown empty. FIG. 3 is a front view thereof. FIG. 4 is a rear view thereof. FIG. 5 is a left side view thereof. FIG. 6 is a right side view thereof. FIG. 7 is a top view thereof. FIG. 8 is a bottom view thereof. FIG. 9 is a perspective view of an alternative embodiment of a ball display case, shown with balls displayed therein. FIG. 10 is a perspective view thereof, shown empty. FIG. 11 is a front view thereof. FIG. 12 is a rear view thereof. FIG. 13 is a left side view thereof. FIG. 14 is a right side view thereof. FIG. 15 is a top view thereof. FIG. 16 is a bottom view thereof. FIG. 17 is a perspective view of an alternative embodiment of a ball display case, shown with balls displayed therein. FIG. 18 is a perspective view thereof, shown empty. FIG. 19 is a front view thereof. FIG. 20 is a rear view thereof. FIG. 21 is a left side view thereof. FIG. 22 is a right side view thereof. FIG. 23 is a top view thereof; and, FIG. 24 is a bottom view thereof. In the drawings, the broken lines shown in the figures depict unclaimed subject matter and/or environmental structure, and form no part of the claimed design.

1 Claim, 24 Drawing Sheets



(56)

References Cited

U.S. PATENT DOCUMENTS

D669,289	S	*	10/2012	Rogers	D6/552
D720,559	S	*	1/2015	Pitti	D6/661
D721,296	S	*	1/2015	Colman	D11/133
9,169,046	B2	*	10/2015	Weldon	A47G 33/004
2008/0067086	A1	*	3/2008	Uidl	A47F 3/10 206/232

* cited by examiner

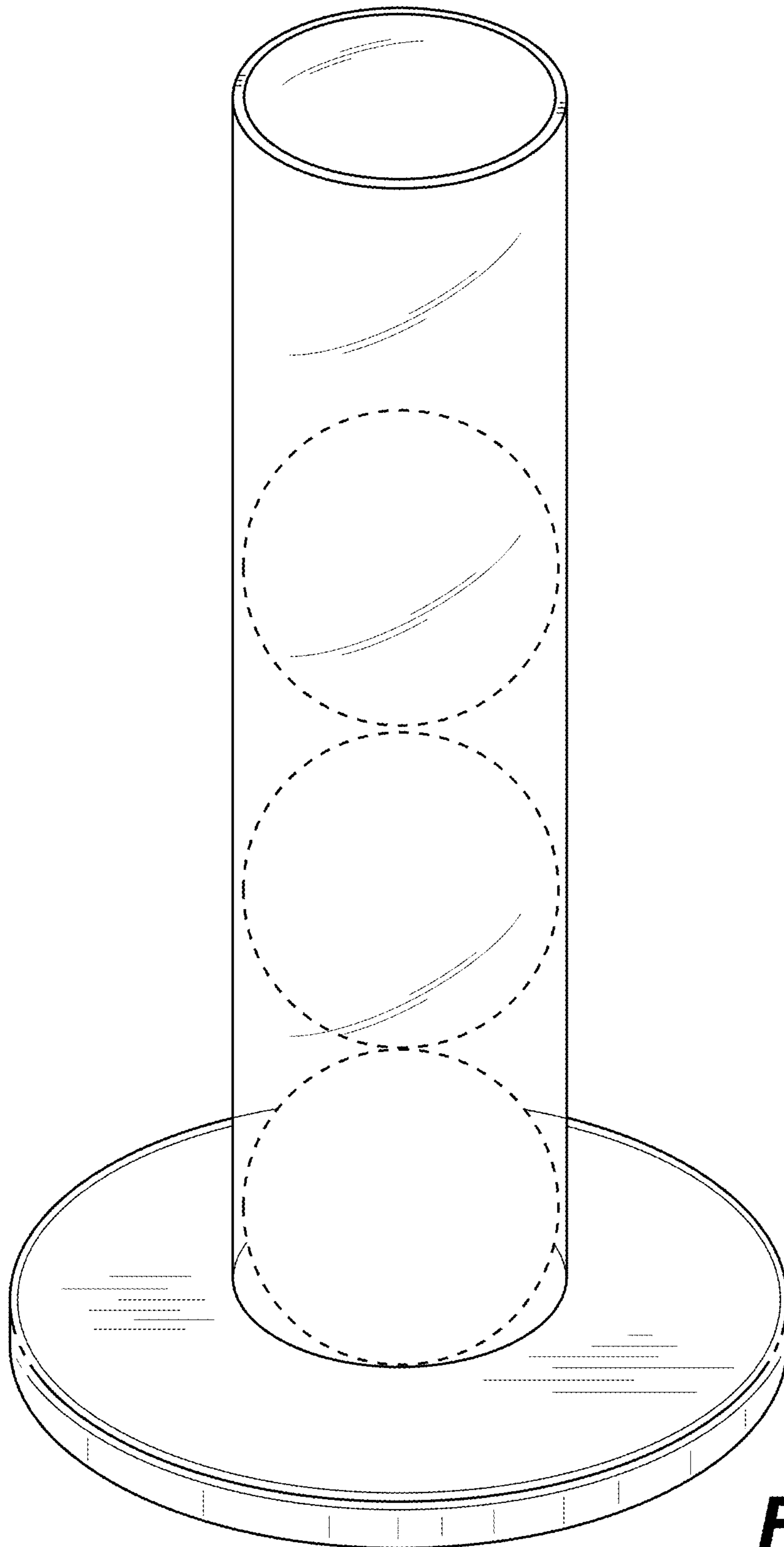


FIG. 1

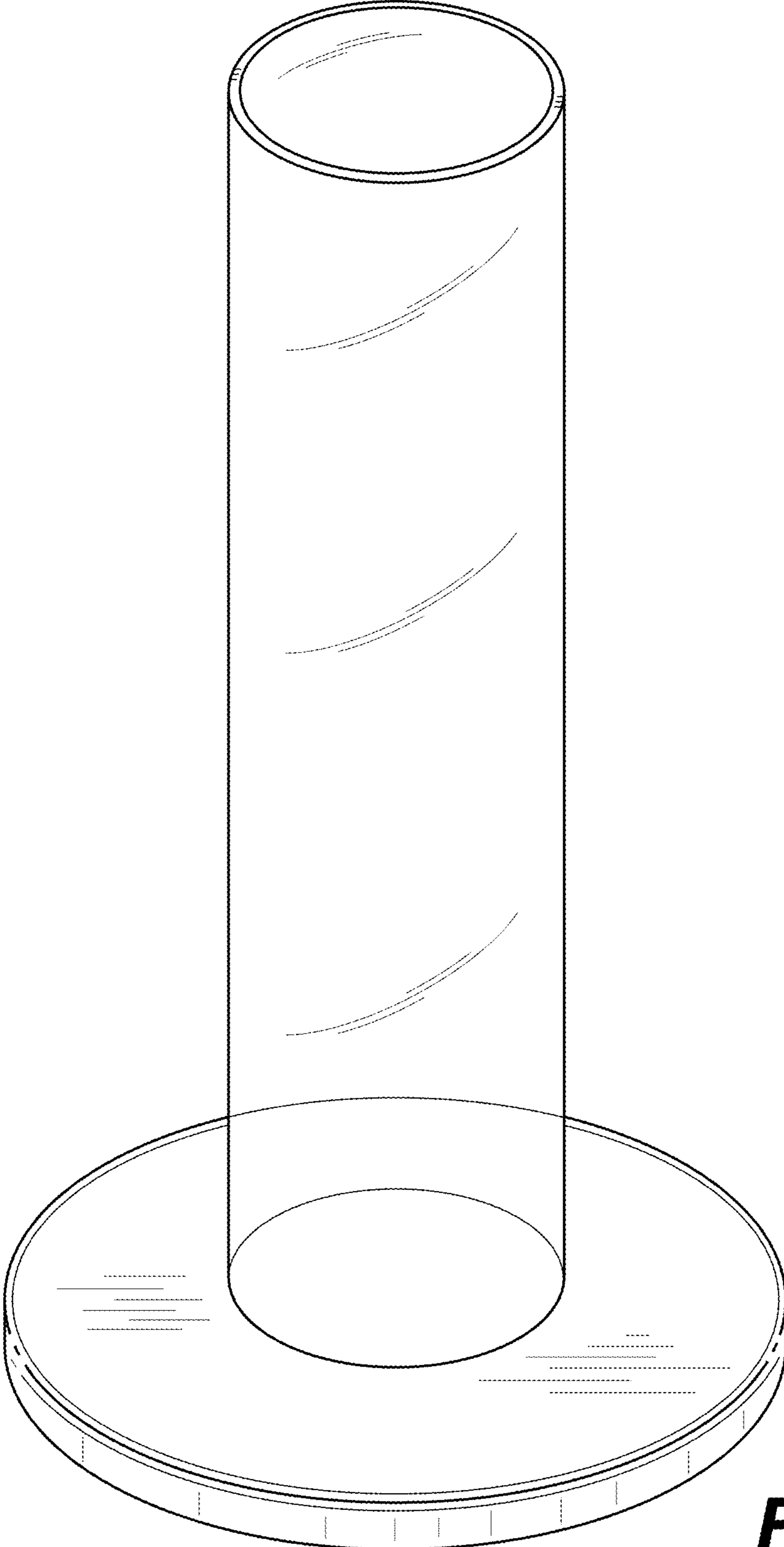


FIG. 2

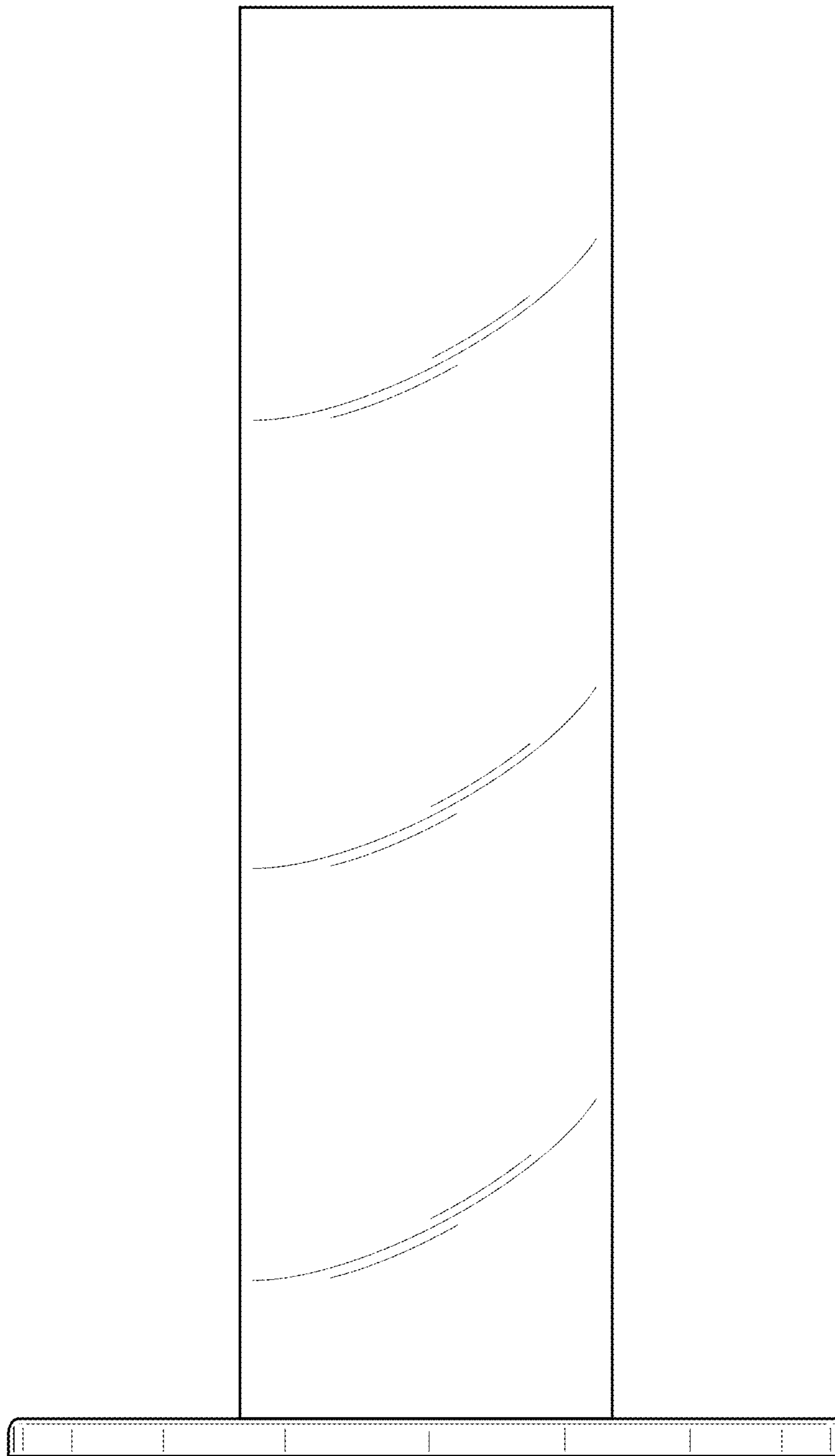


FIG. 3

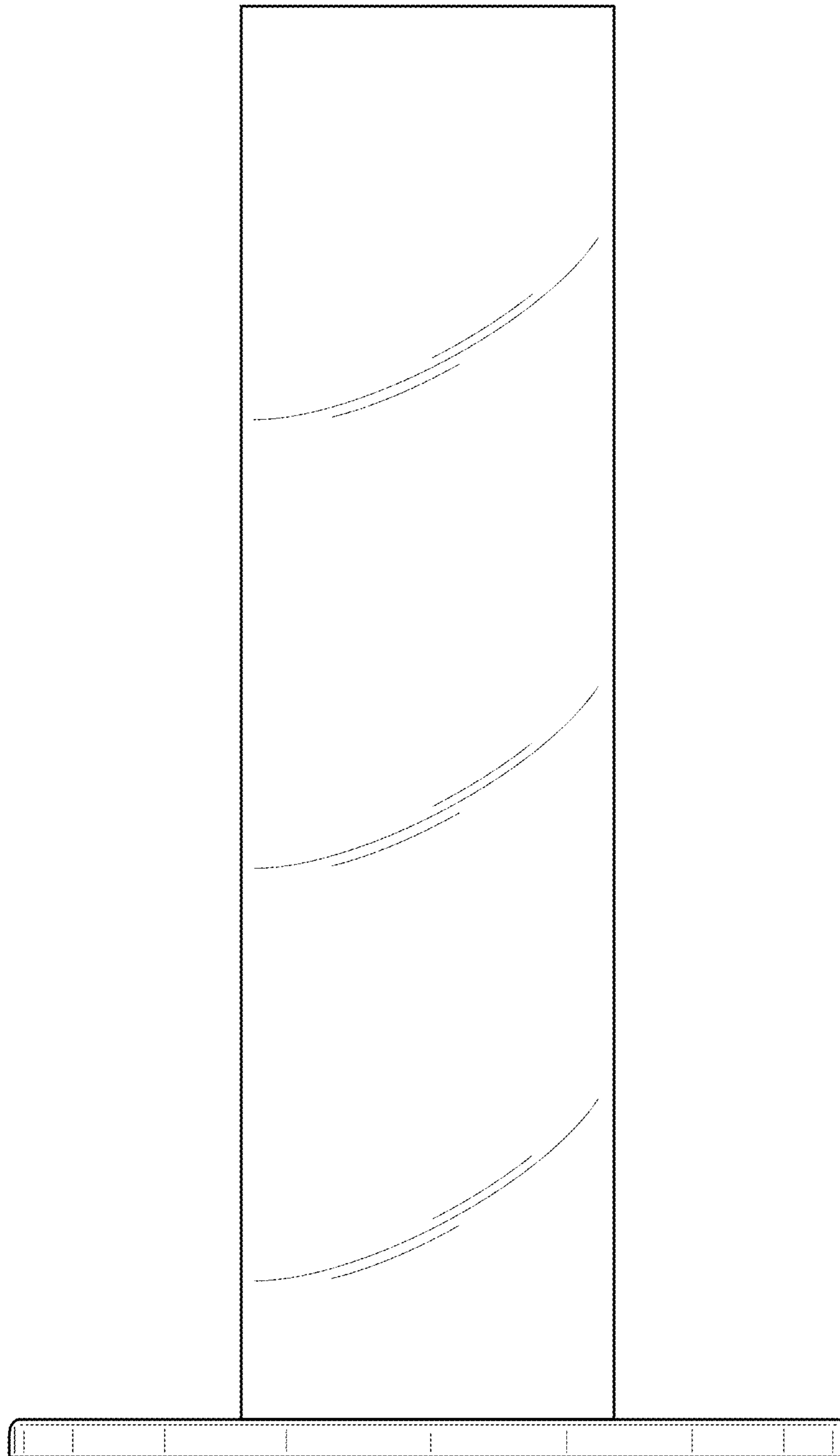


FIG. 4

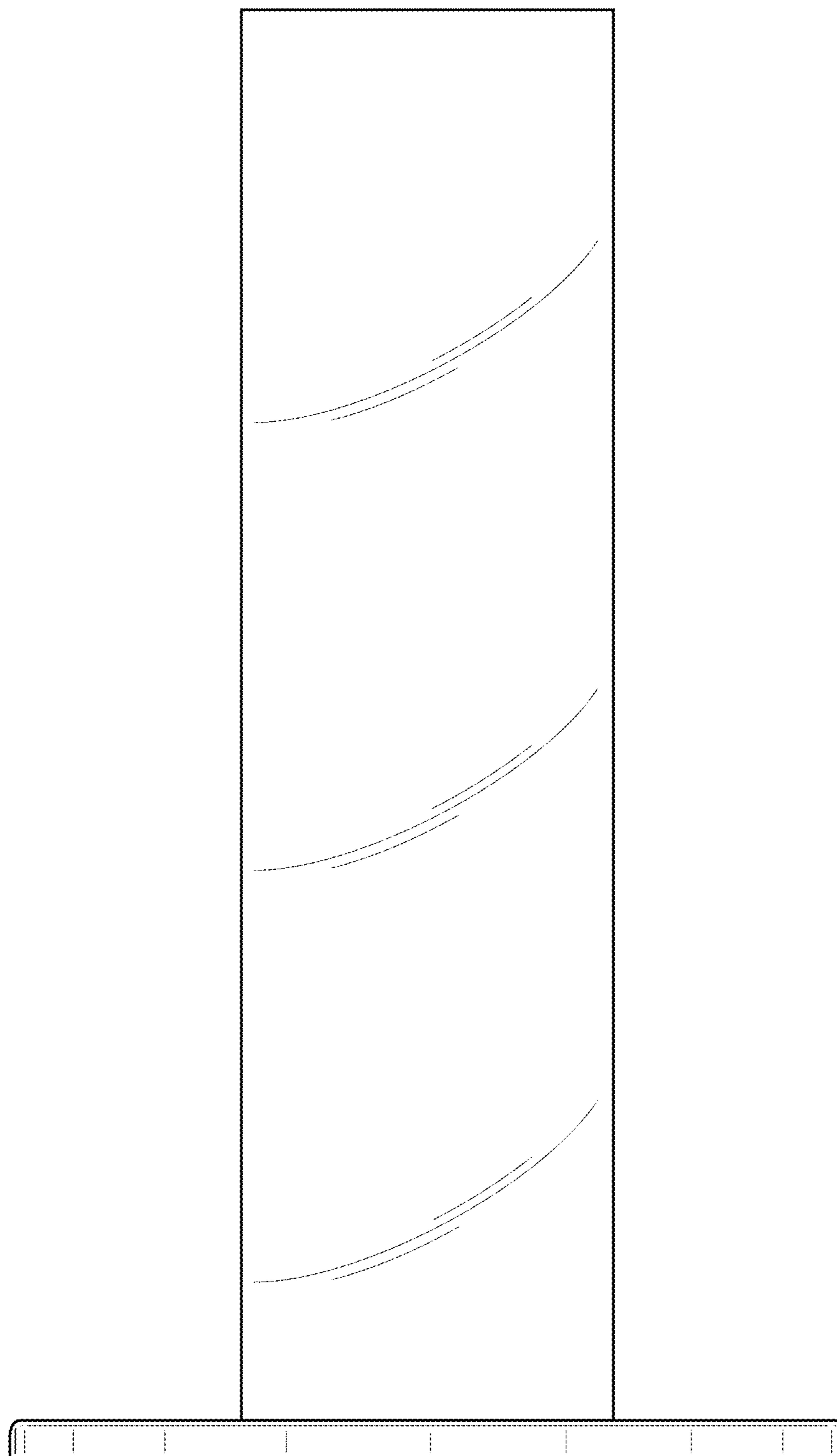


FIG. 5

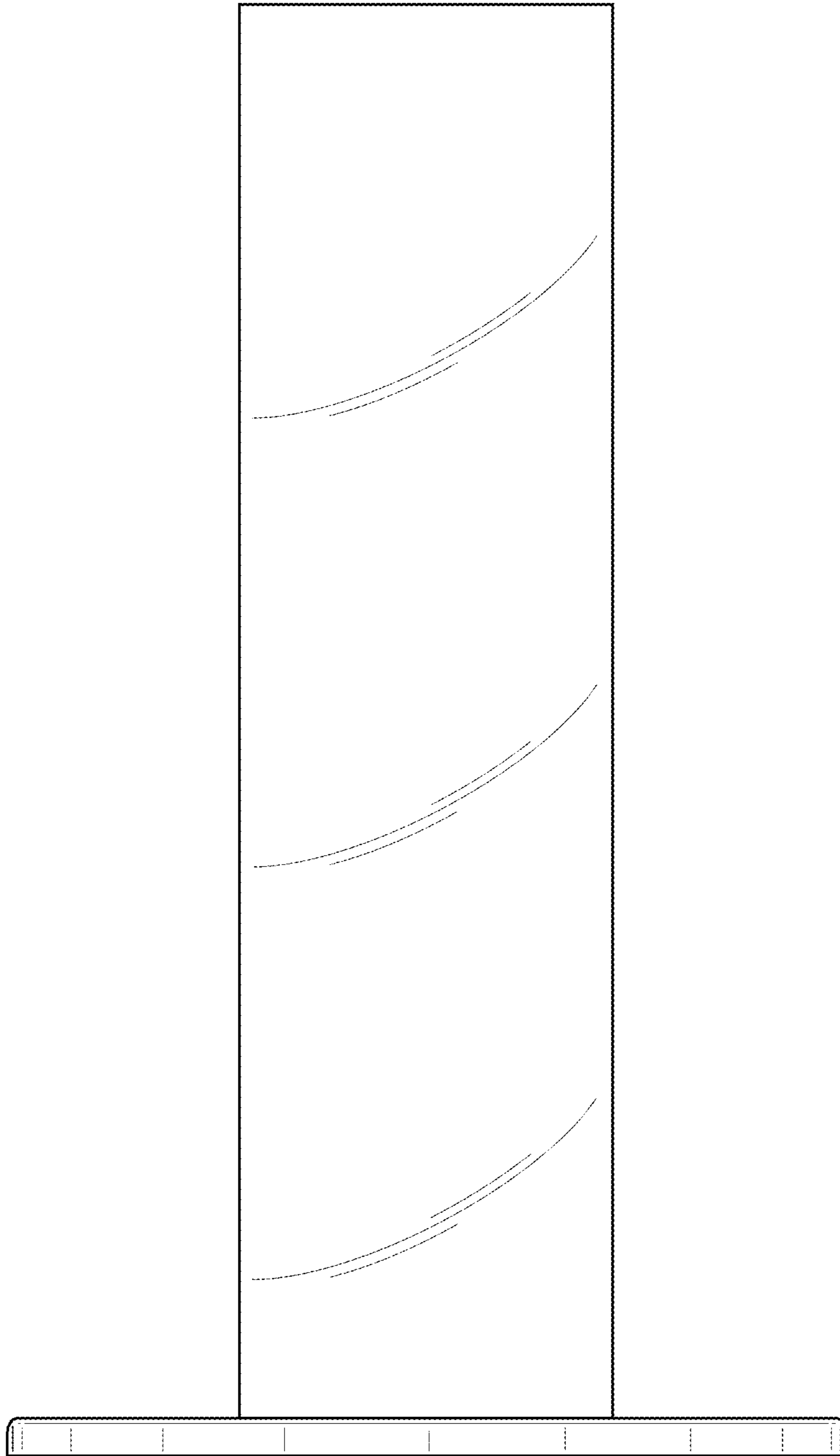


FIG. 6



FIG. 7

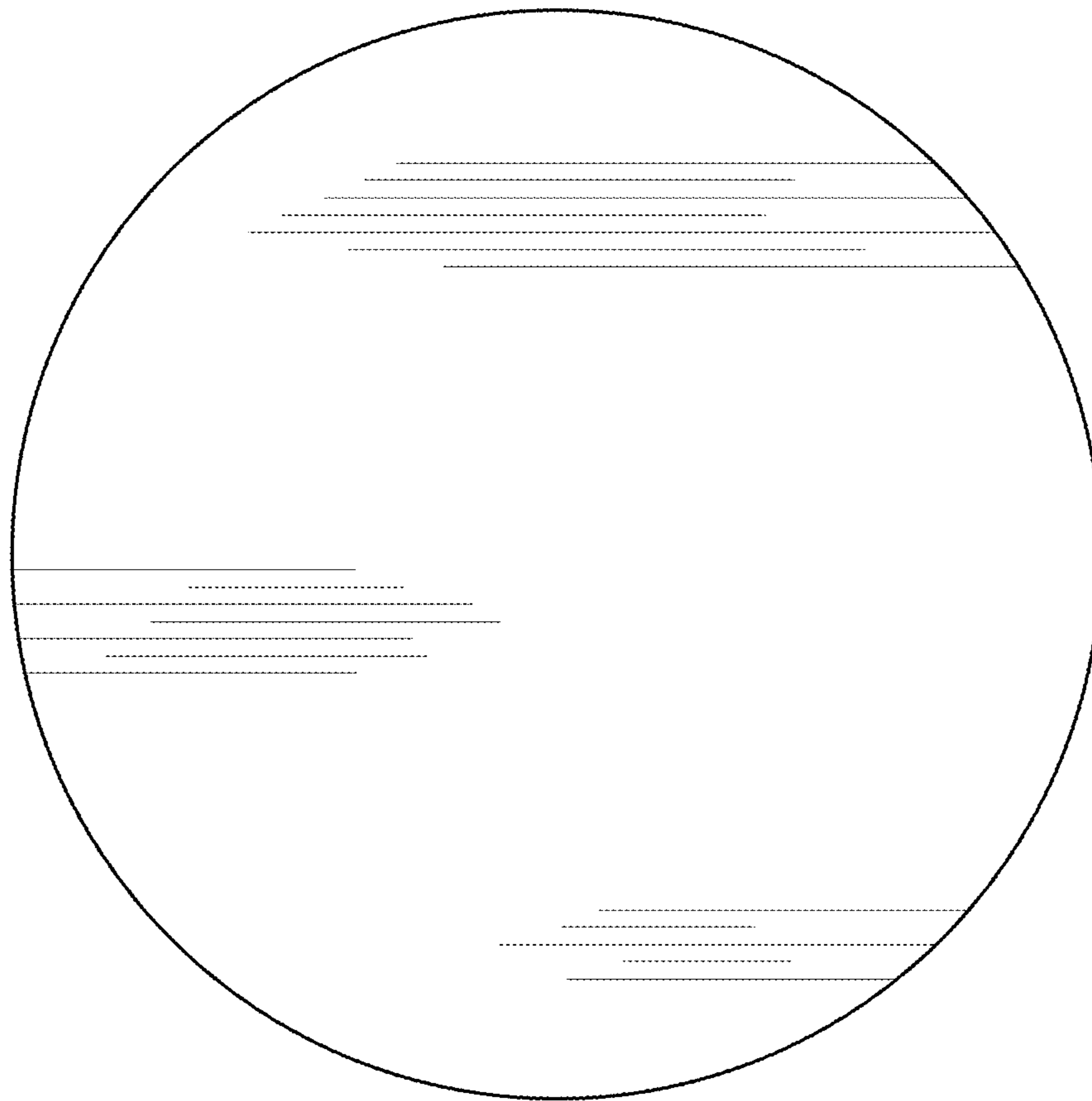


FIG. 8

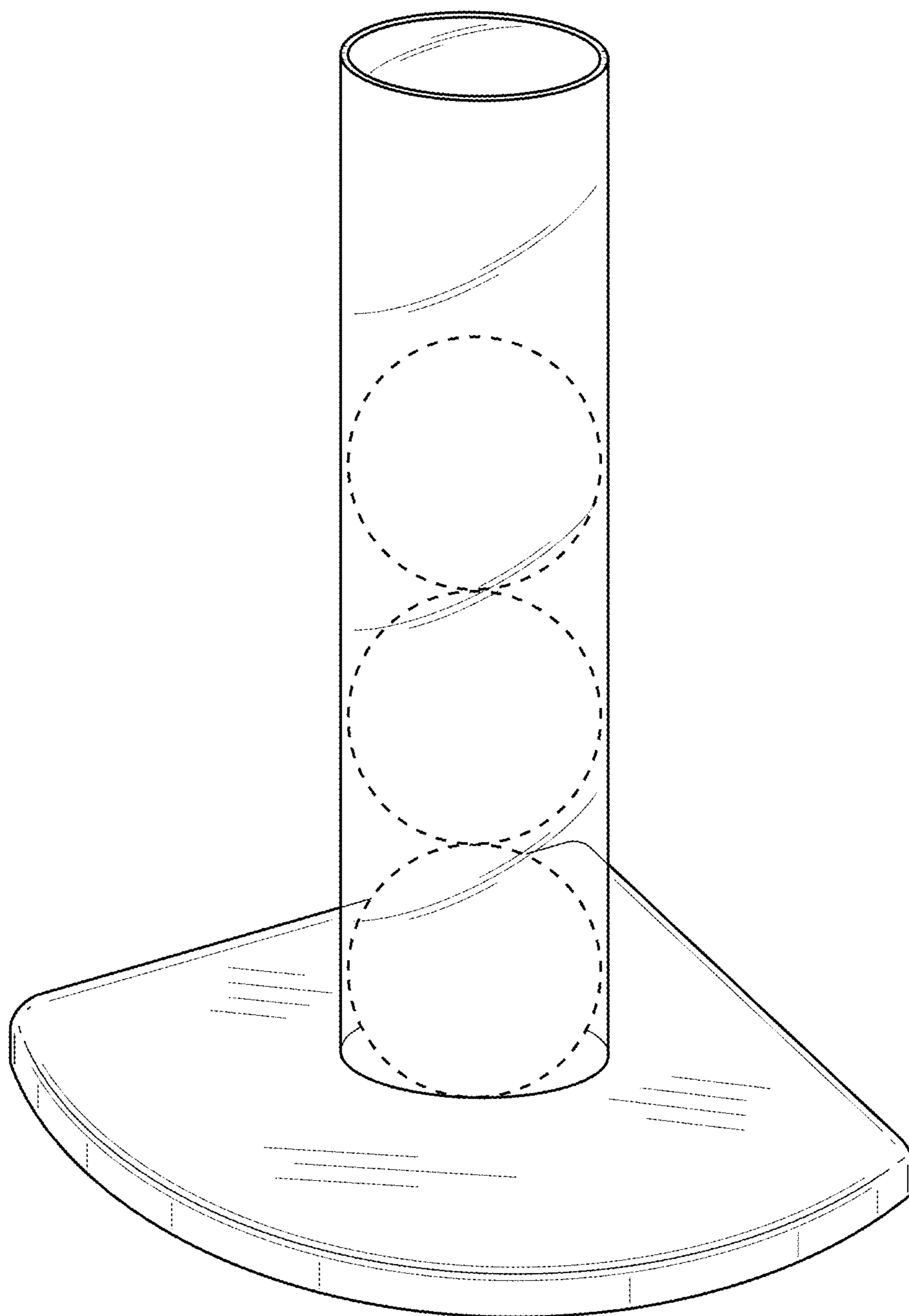


FIG. 9

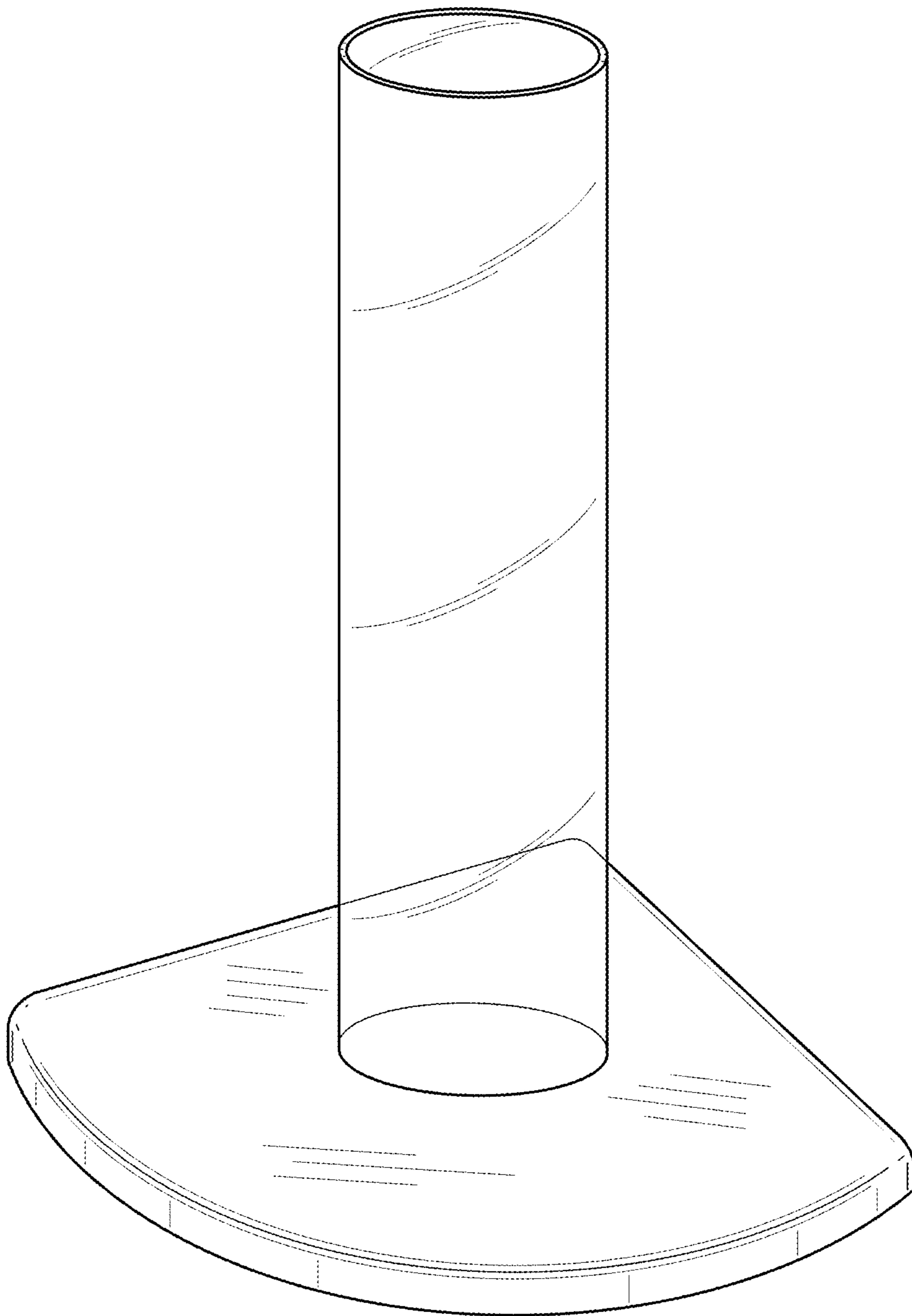


FIG. 10

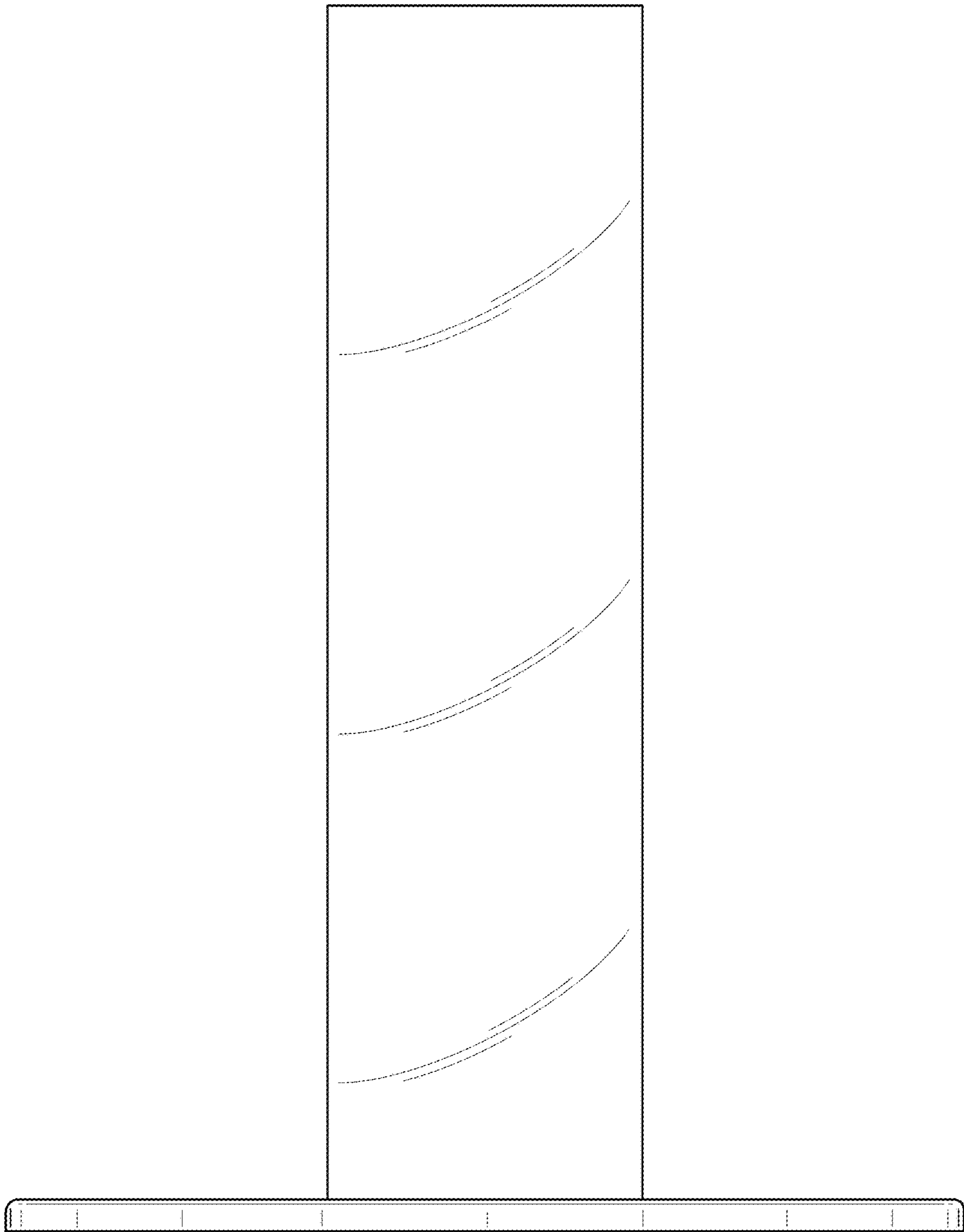


FIG. 11

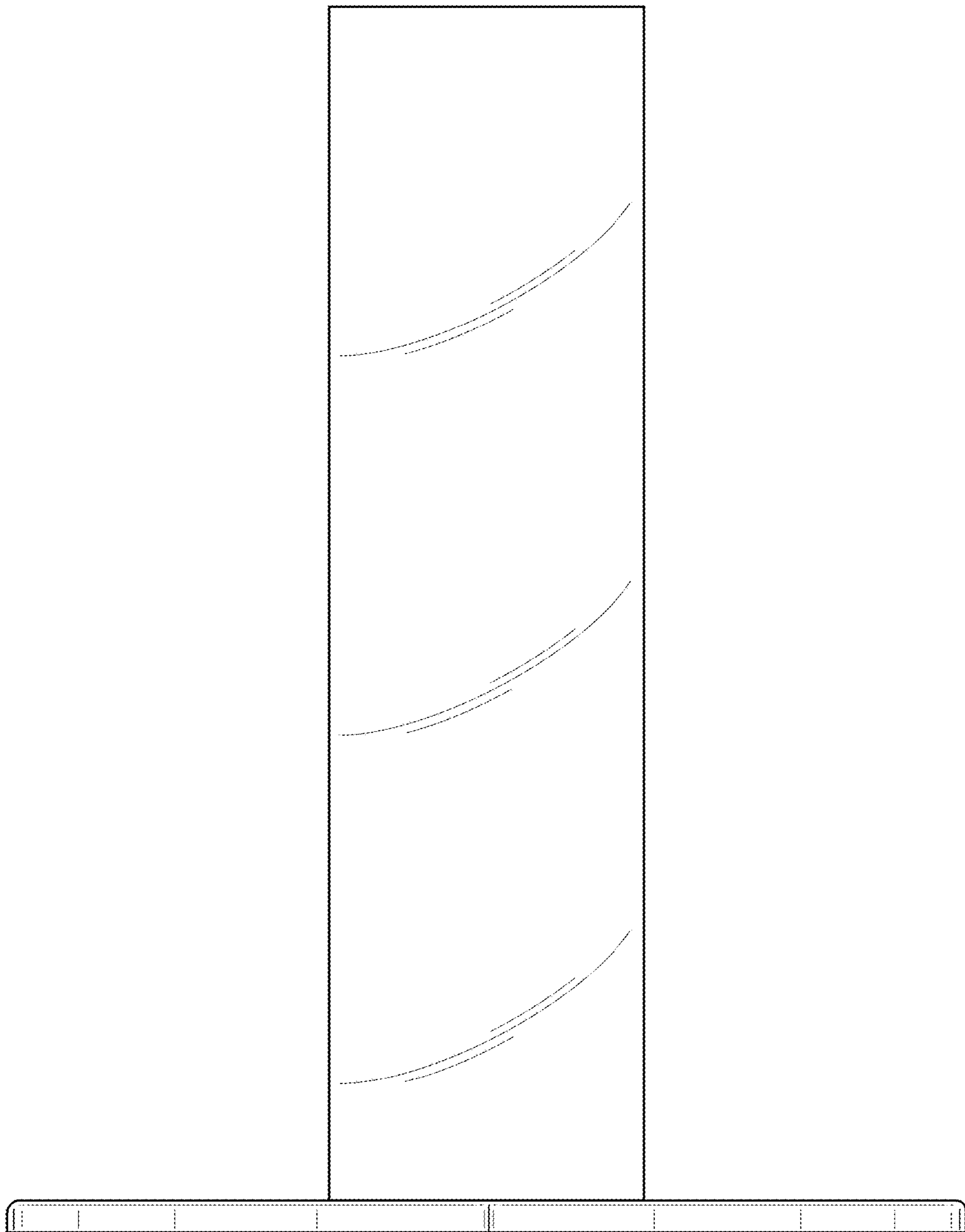


FIG. 12

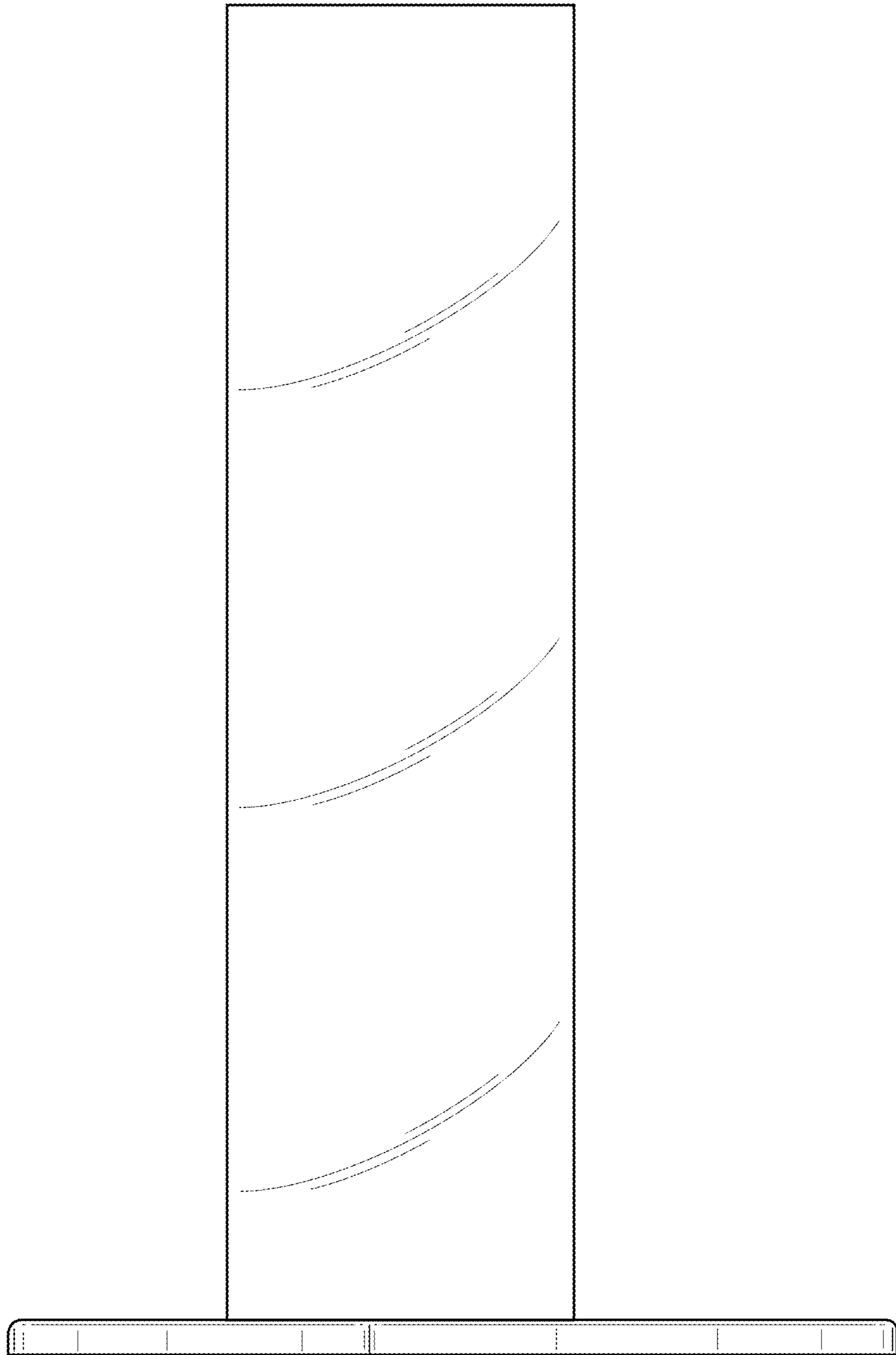


FIG. 13

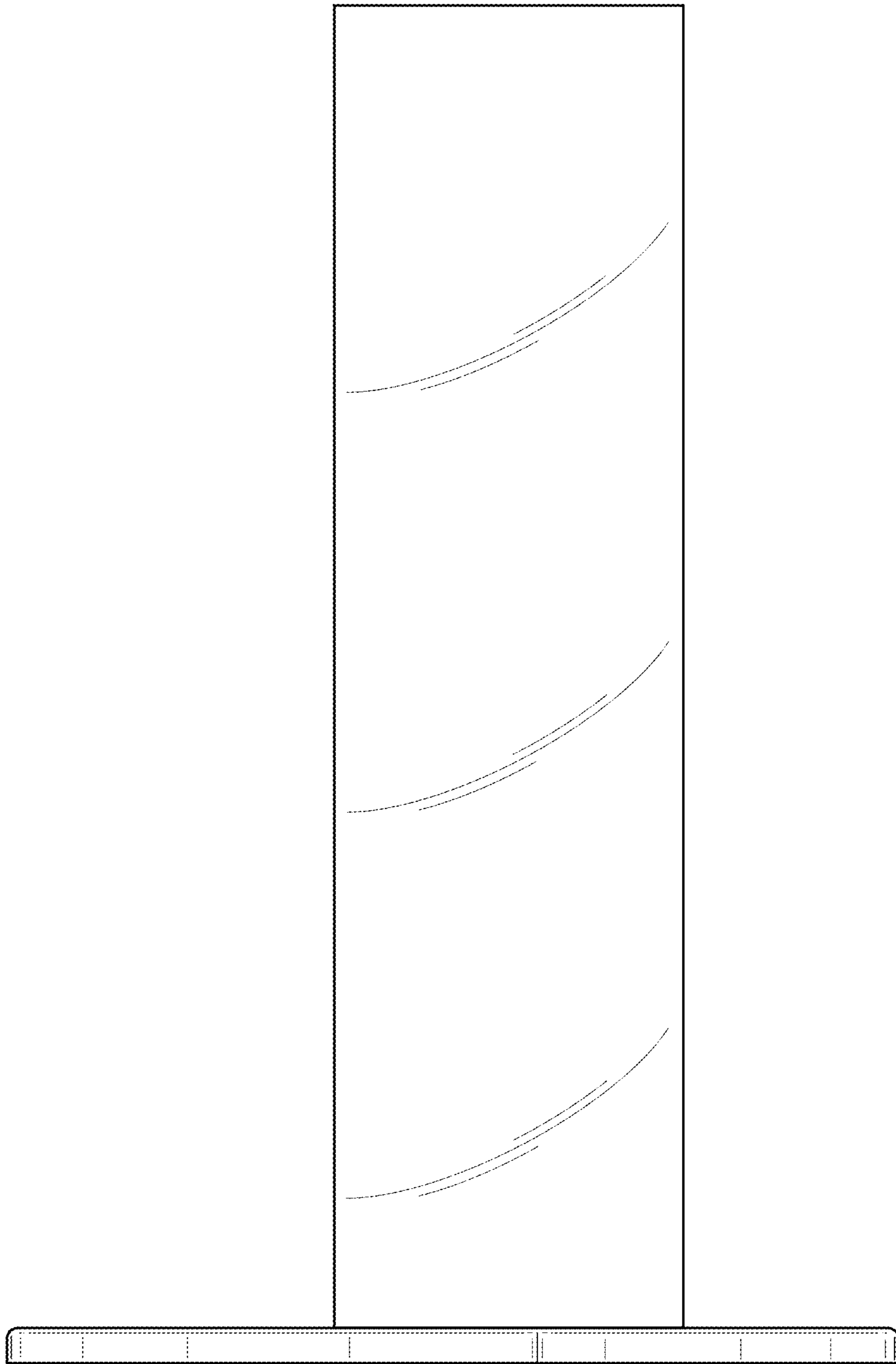


FIG. 14

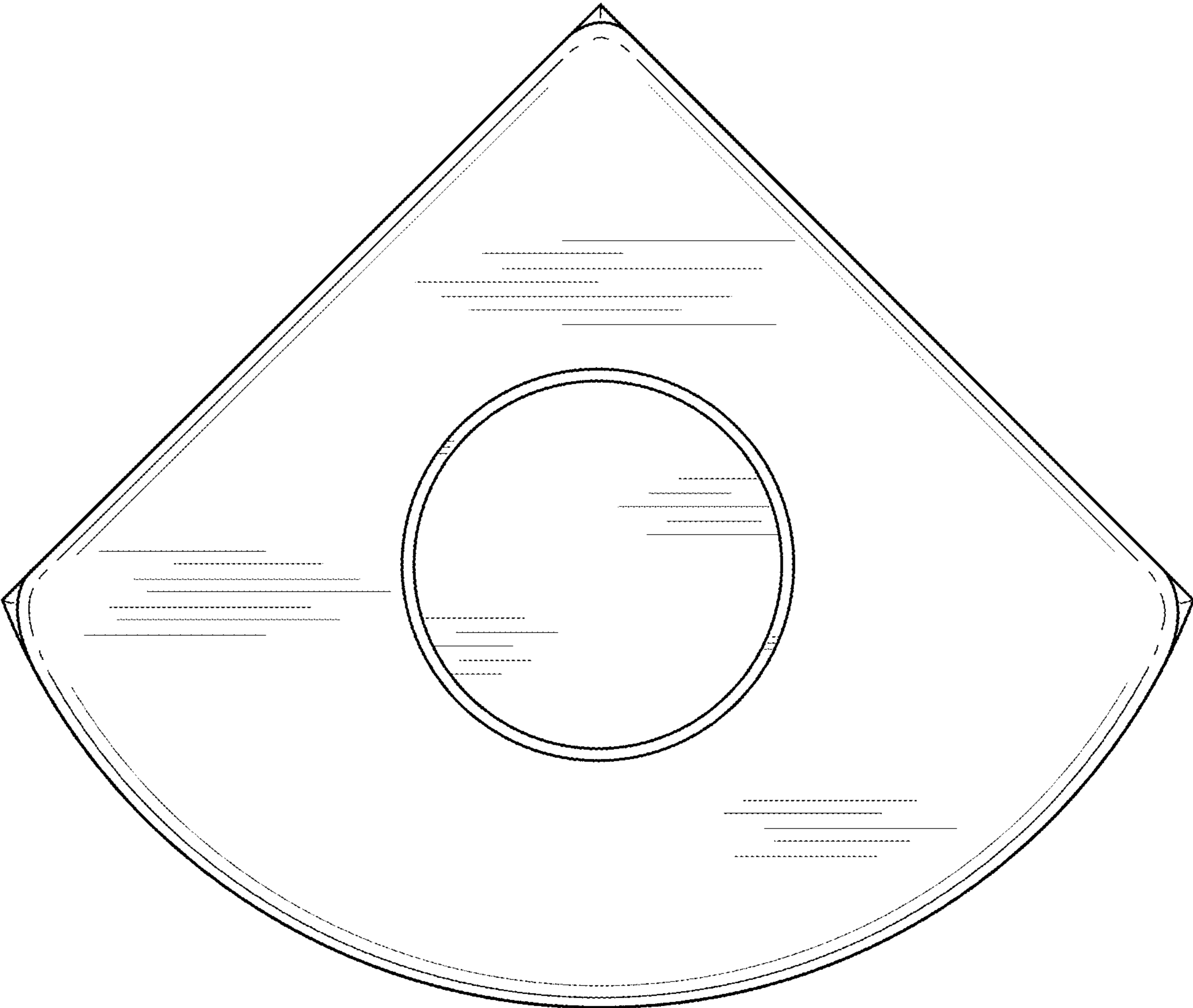


FIG. 15

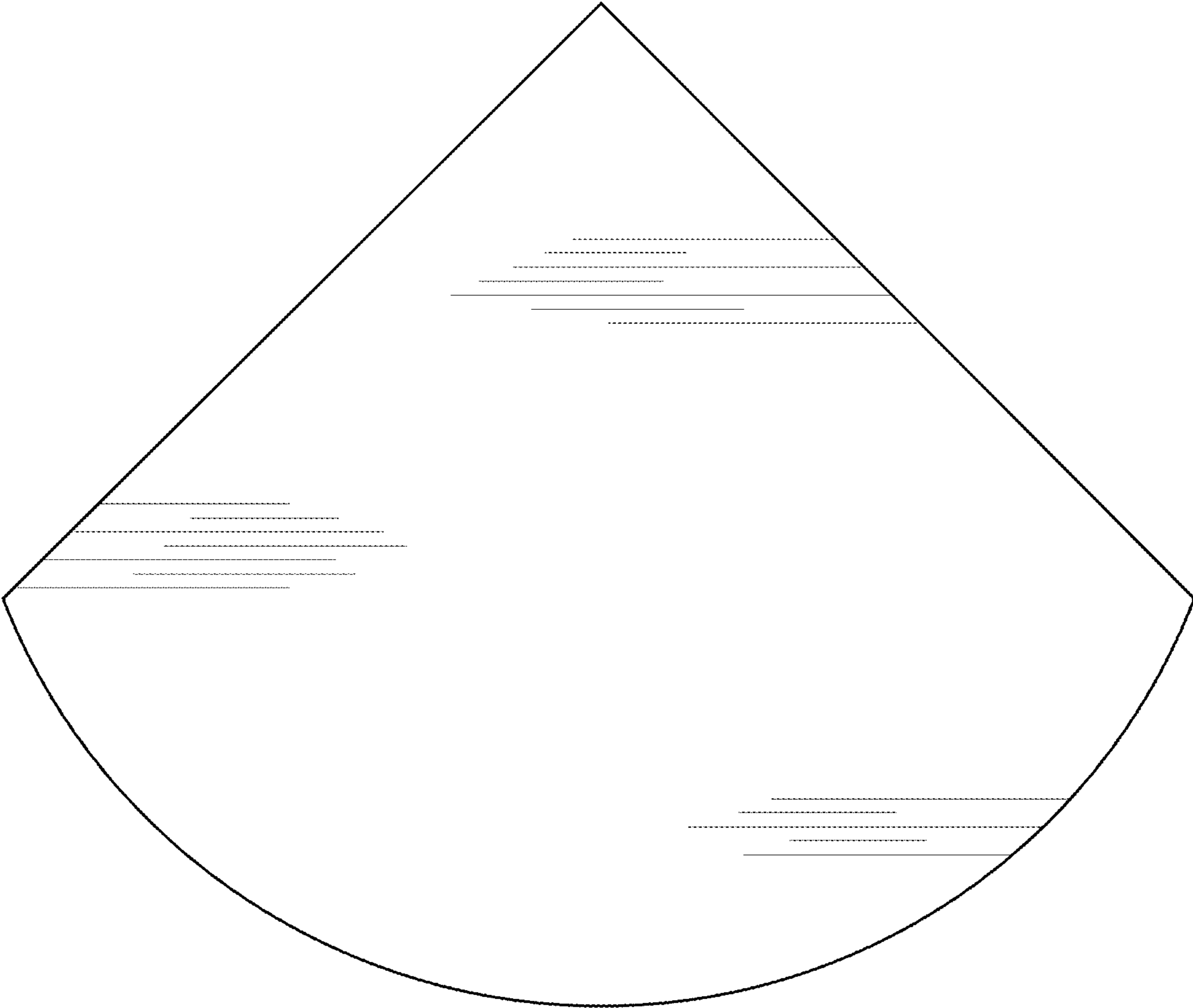


FIG. 16

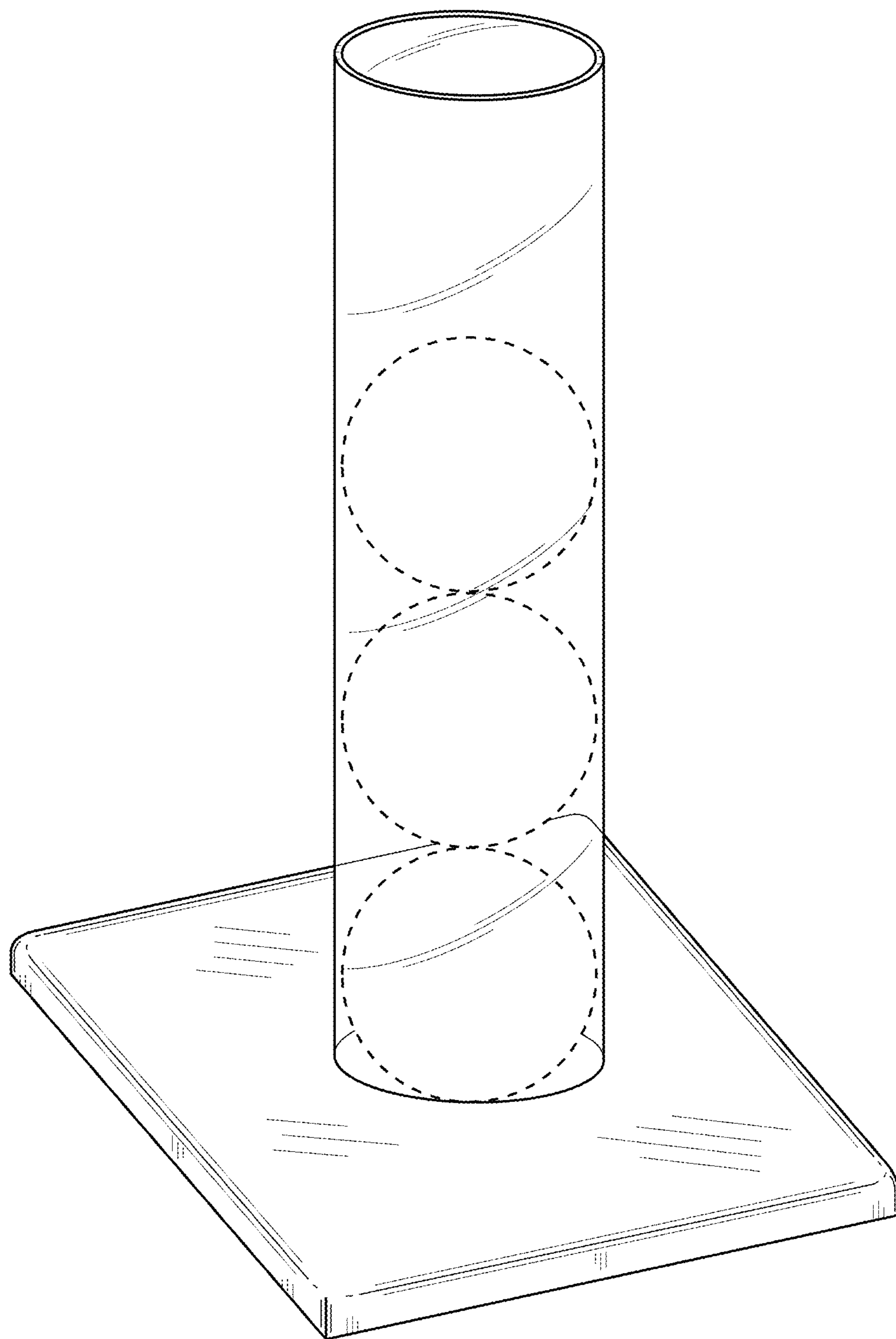


FIG. 17

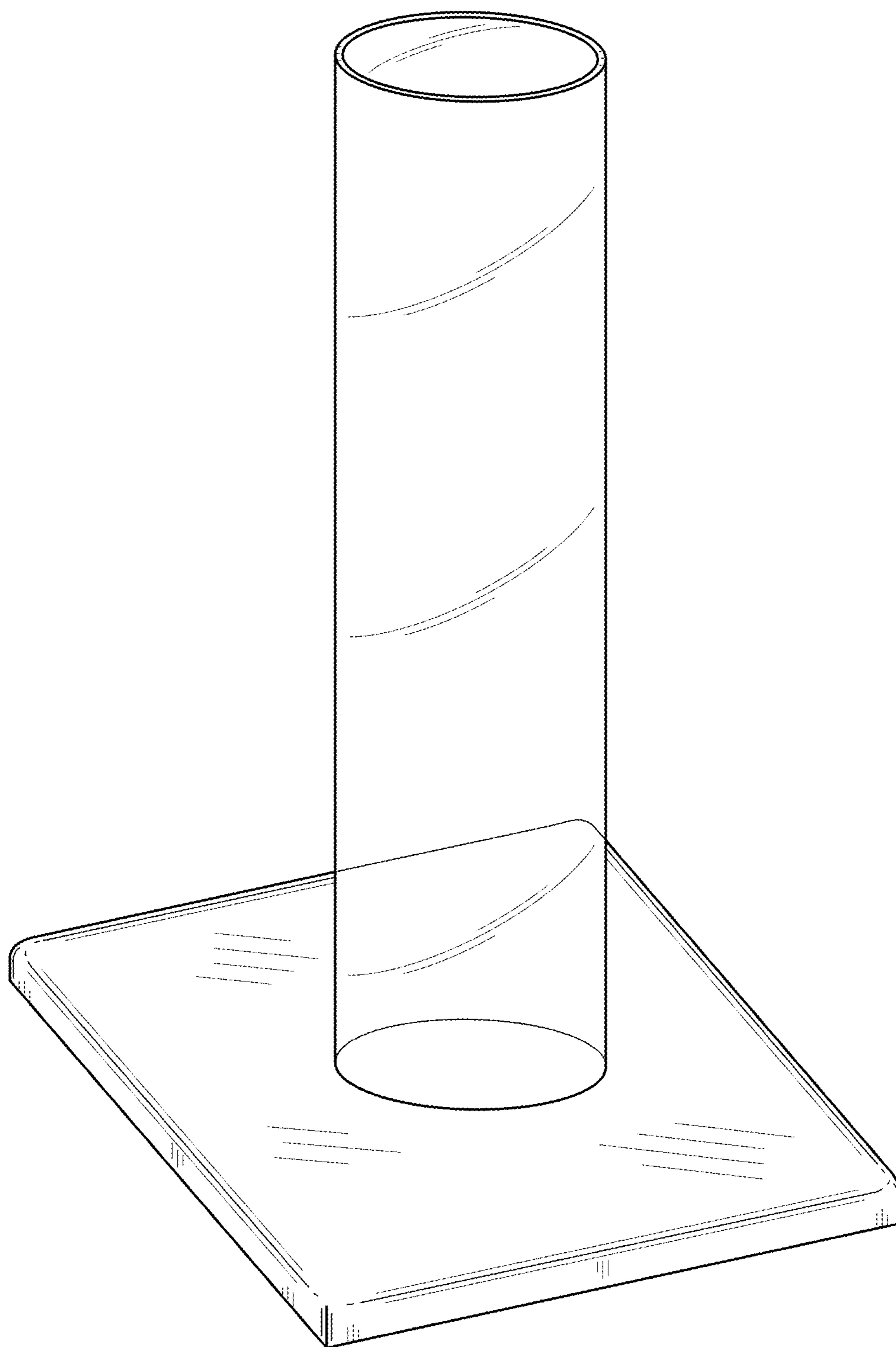


FIG. 18

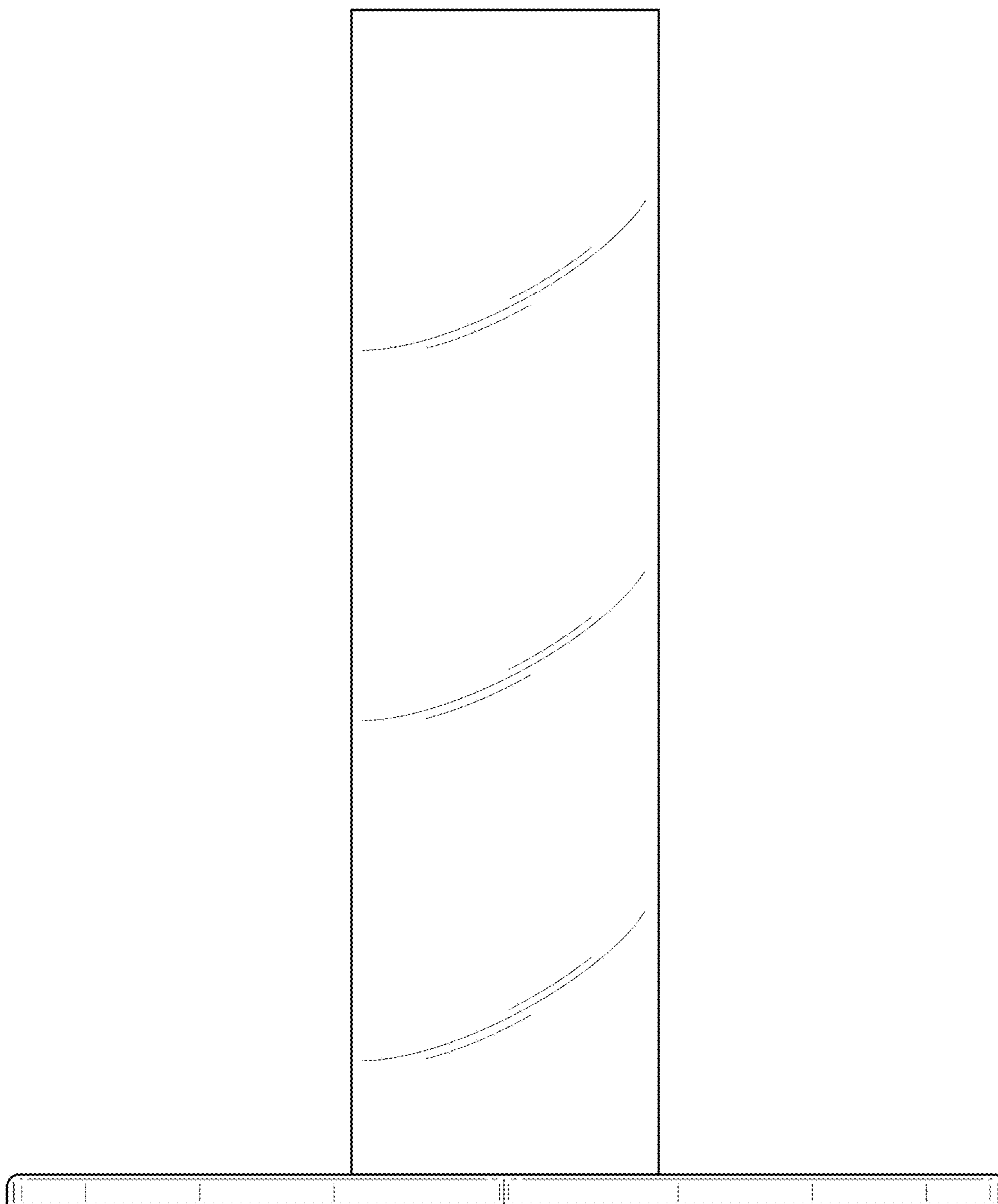


FIG. 19

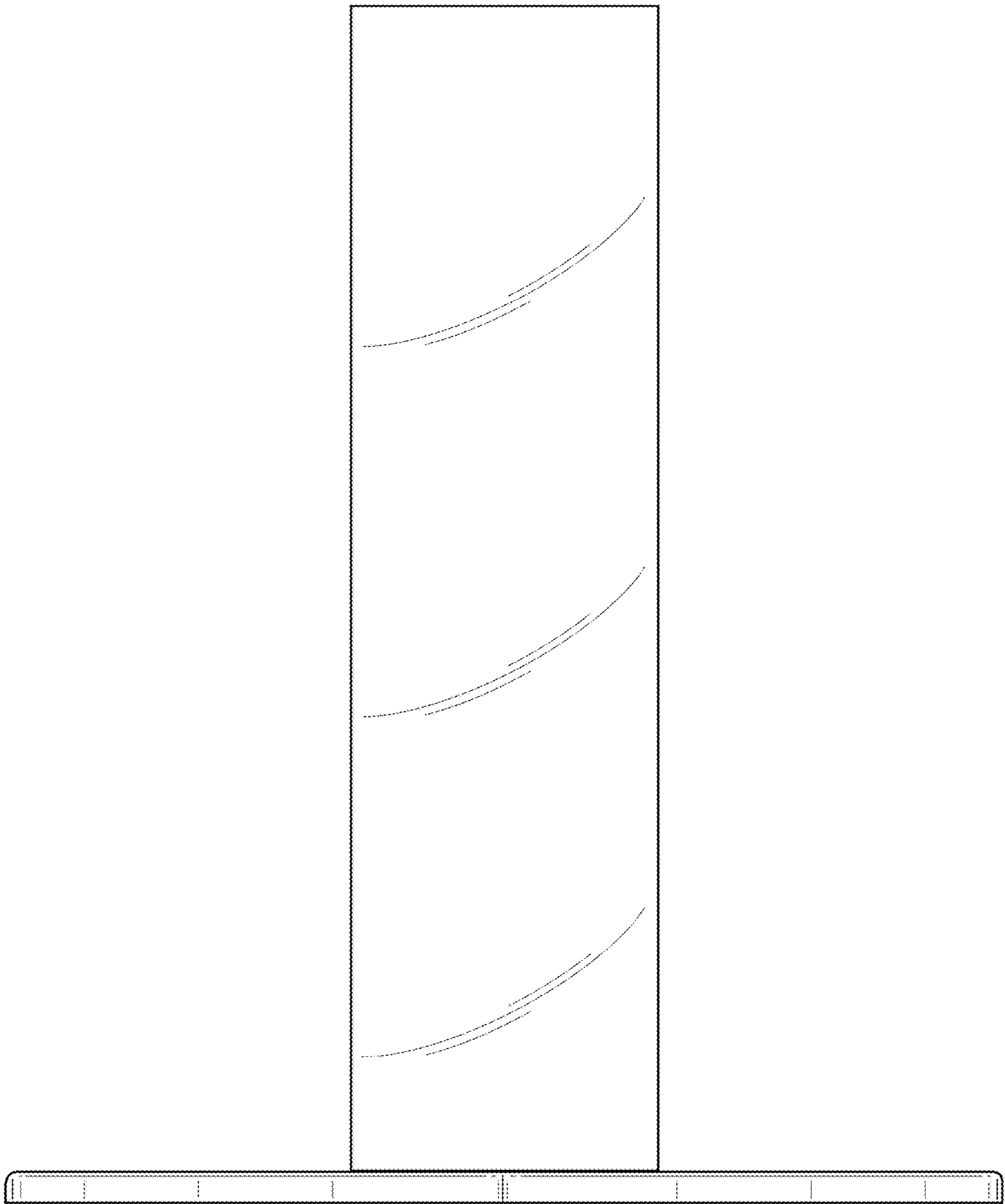


FIG. 20

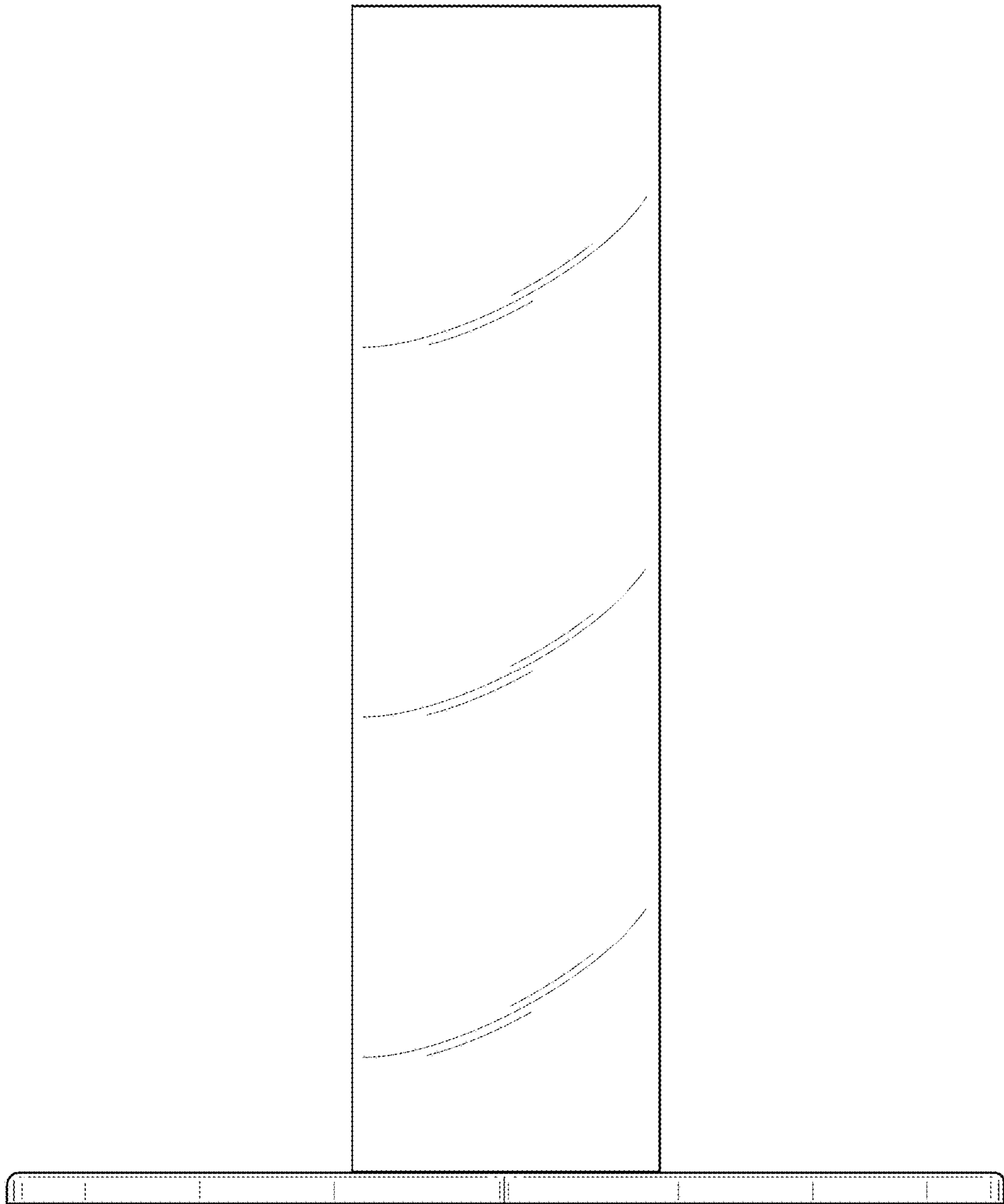


FIG. 21

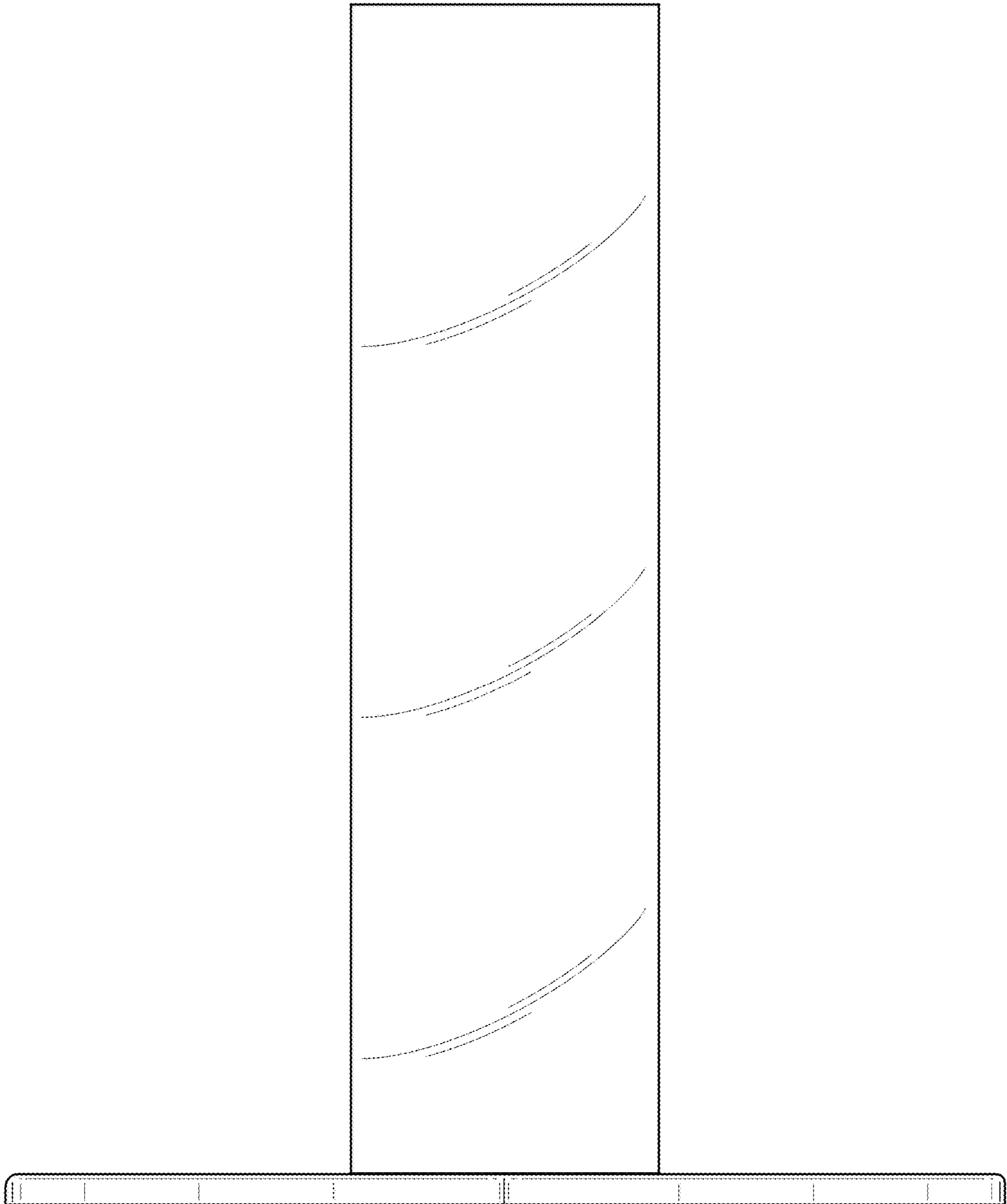


FIG. 22

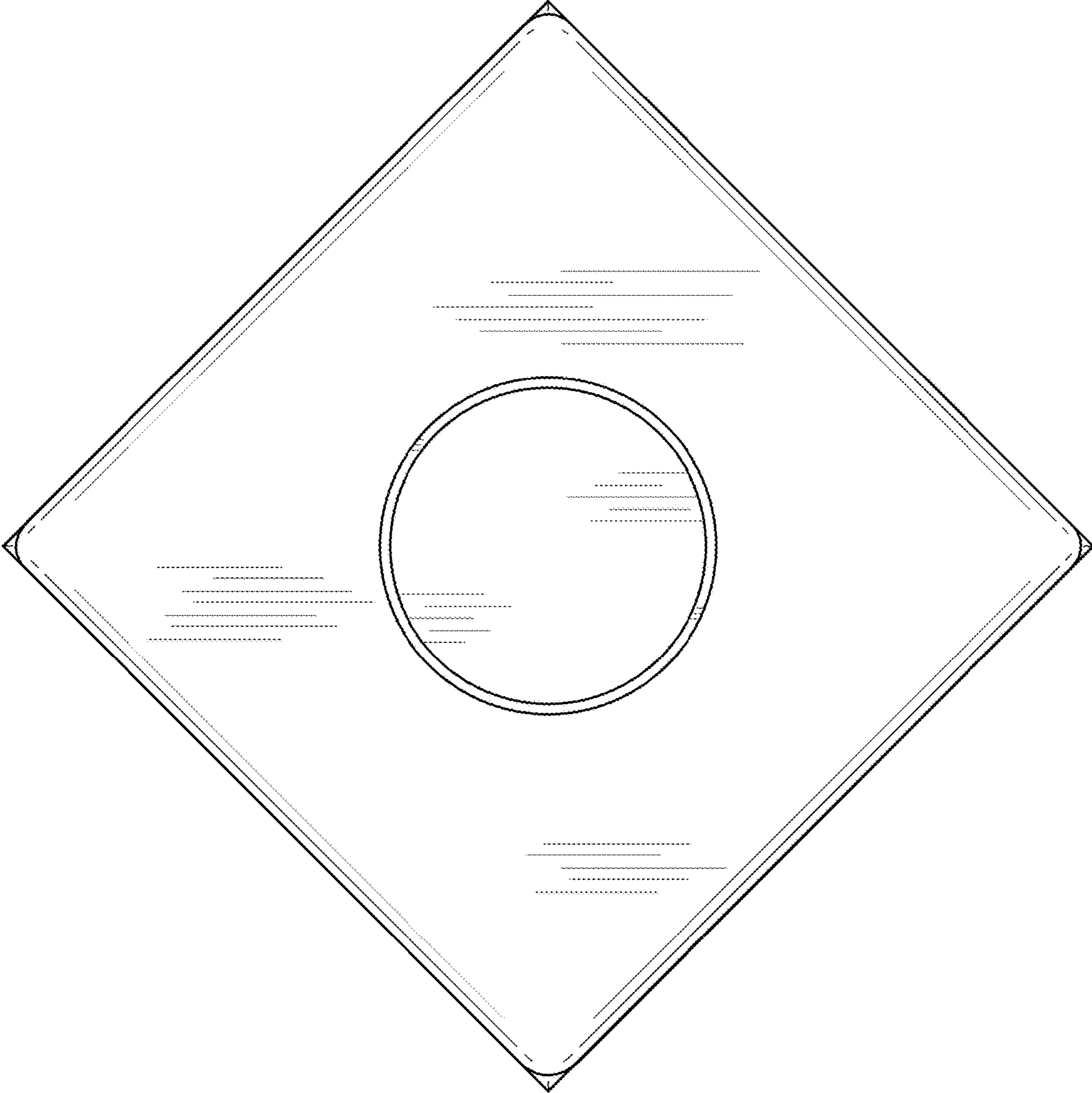


FIG. 23

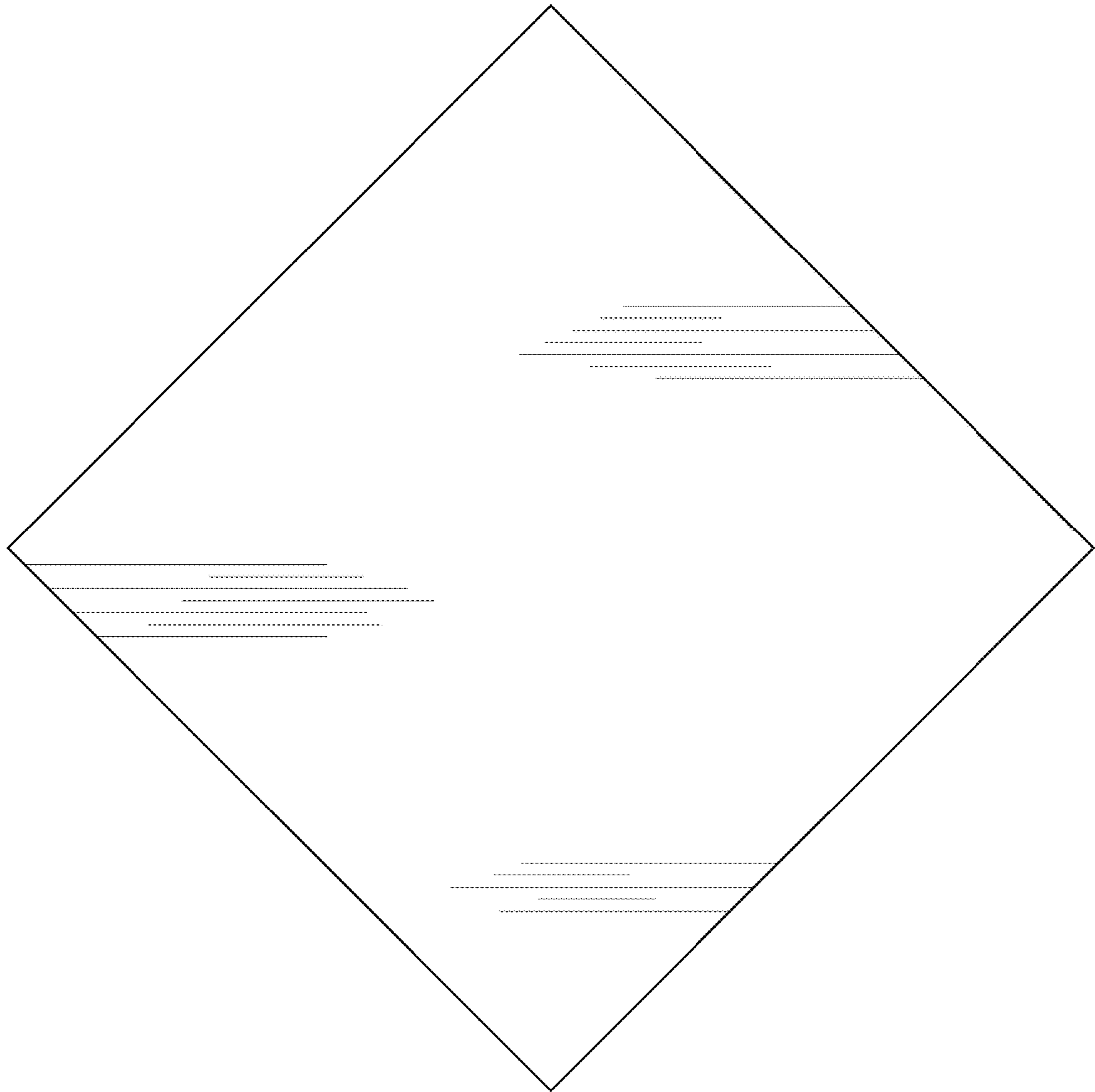


FIG. 24