



US00D786589S

(12) **United States Design Patent**
Arzaluz

(10) **Patent No.:** **US D786,589 S**

(45) **Date of Patent:** **** May 16, 2017**

(54) **PRODUCT DISPLAY**

(71) Applicant: **Grupo Bimbo, S.A.B. de C.V.**, Mexico (MX)

(72) Inventor: **Karla Janet Aranda Arzaluz**, Metepec (MX)

(73) Assignee: **GRUPO BIMBO, S.A.B. DE C.V.**, Mexico City (MX)

(**) Term: **15 Years**

(21) Appl. No.: **29/542,721**

(22) Filed: **Oct. 16, 2015**

(30) **Foreign Application Priority Data**

Apr. 27, 2015 (MX) MX/F/2015/001402

(51) **LOC (10) Cl.** **06-04**

(52) **U.S. Cl.**
USPC **D6/675.2**

(58) **Field of Classification Search**

USPC D6/315, 317, 319, 329, 673, 675,
D6/675.1-675.4, 678.4, 680.3, 702;
D7/571-572, 576-577, 600, 600.1-600.4;
211/59.2, 74, 132, 128.1, 150, 187;
108/102, 107, 137; 40/606.03; 312/107
CPC A47B 73/00; A47B 73/002; A47B 73/004;
A47B 47/00; A47B 47/0058; A47B
47/008; A47B 47/25; A47F 5/00; A47F
5/0056; A47F 5/0062; B65D 21/0211
See application file for complete search history.

(56) **References Cited**

U.S. PATENT DOCUMENTS

D259,161 S * 5/1981 Thauer D6/675.2
D369,036 S * 4/1996 Wyatt D6/680.3

D422,164 S * 4/2000 Ray D6/675.3
D526,818 S * 8/2006 Sparkowski D6/680.3
D617,580 S * 6/2010 Weigand D6/675.2
D656,759 S * 4/2012 Landa D6/678.2
D739,669 S * 9/2015 Mason D6/675.1
2003/0164663 A1* 9/2003 Chang A47F 5/10
312/107
2004/0256341 A1* 12/2004 Donnell A47F 1/12
211/187
2006/0011565 A1* 1/2006 Pirro A47F 5/0018
211/59.2

OTHER PUBLICATIONS

Certified copy of Mexican Application No. MX/f/2015/001402 filed Apr. 27, 2015, with certified English translation thereof.

* cited by examiner

Primary Examiner — Manpreet Matharu

Assistant Examiner — Keith Wilson

(74) *Attorney, Agent, or Firm* — Brinks Gilson & Lione

(57) **CLAIM**

The ornamental design for product display, as shown and described.

DESCRIPTION

FIG. 1 is a perspective view of the product display; FIG. 2 is a front elevation view thereof; FIG. 3 is a rear elevation view thereof; FIG. 4 is a left side elevation view thereof; FIG. 5 is a right side elevation view thereof; FIG. 6 is a top plan view thereof; and, FIG. 7 is a bottom plan view thereof.

1 Claim, 5 Drawing Sheets

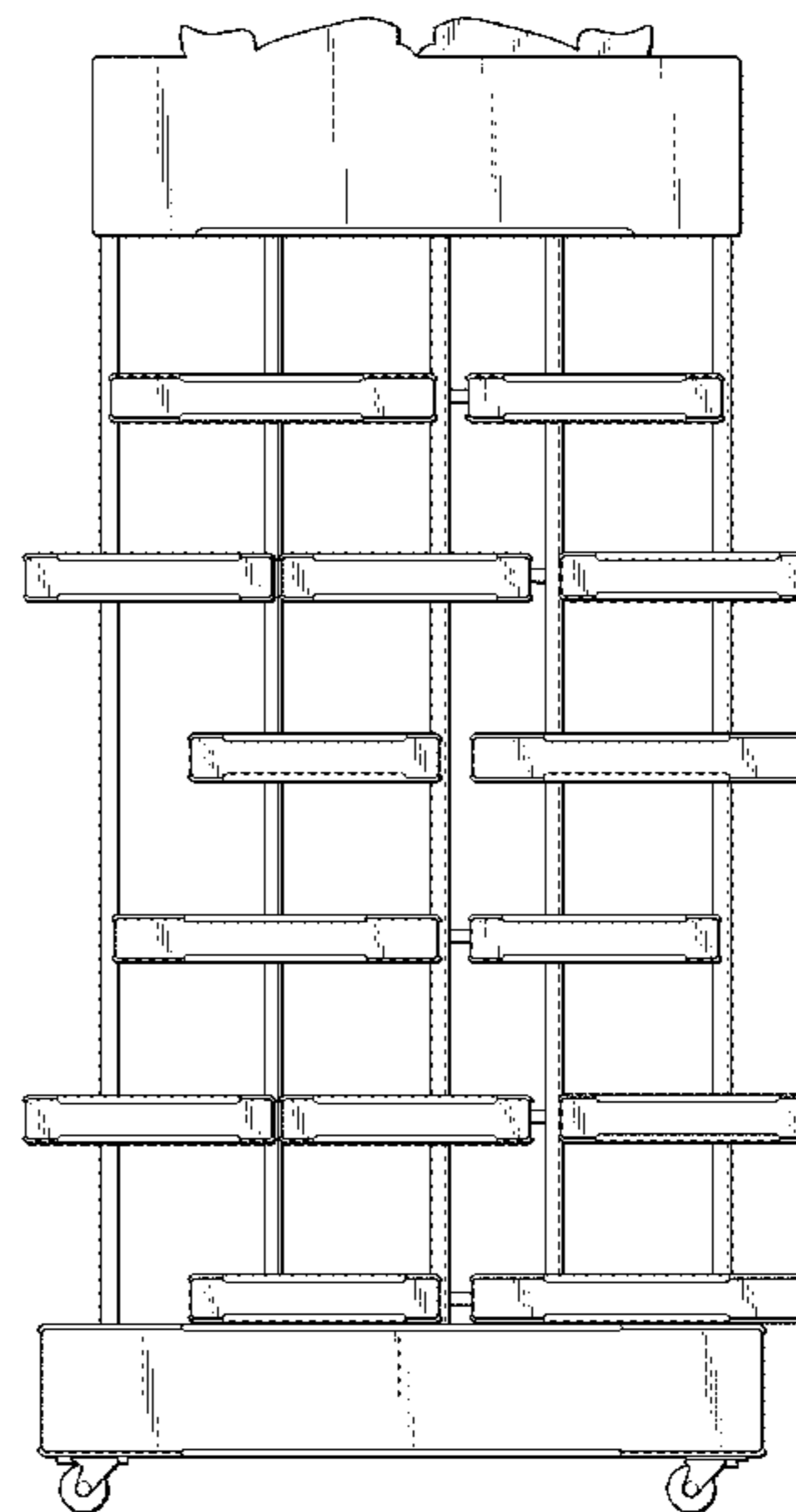
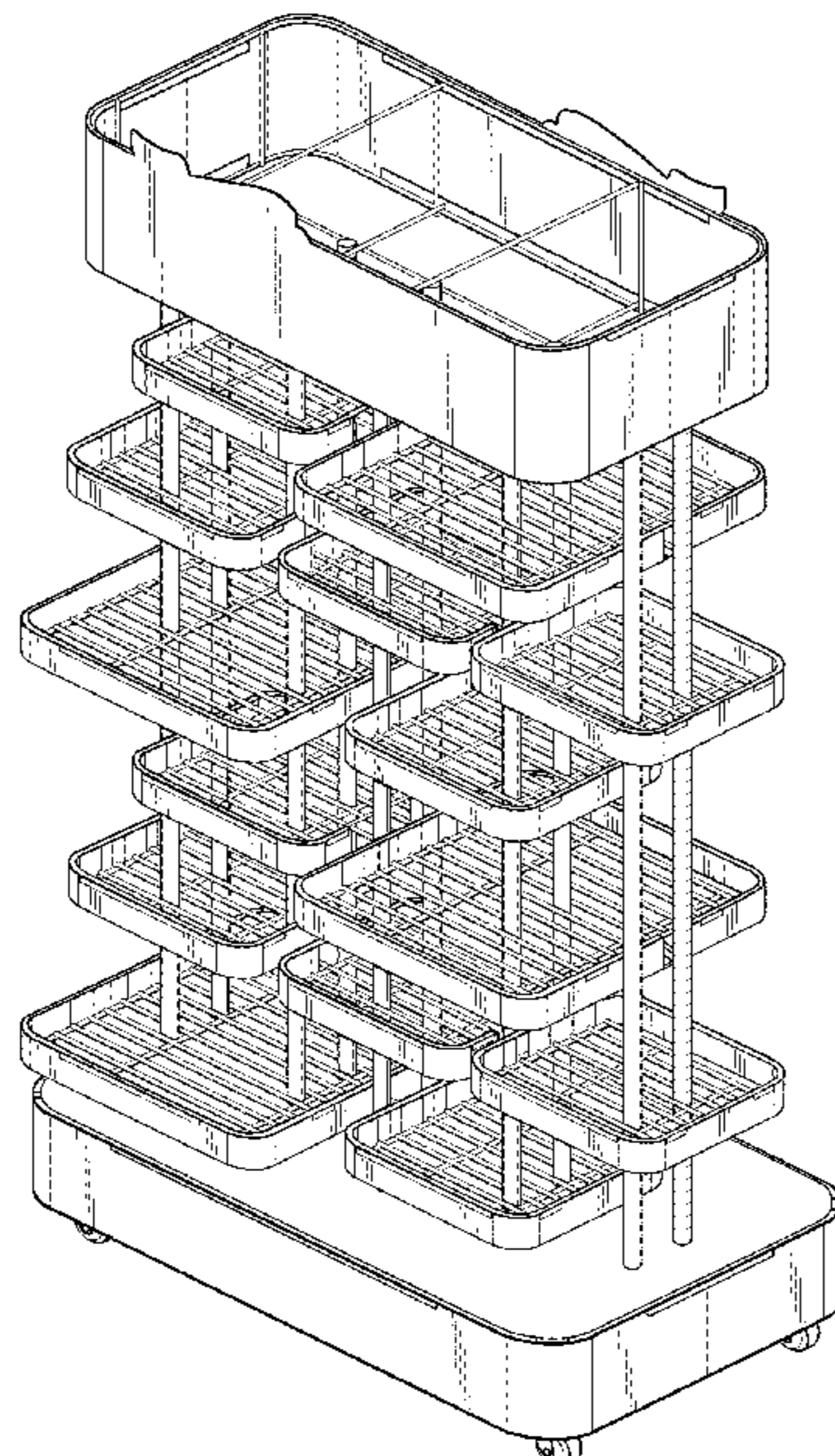


Fig. 1

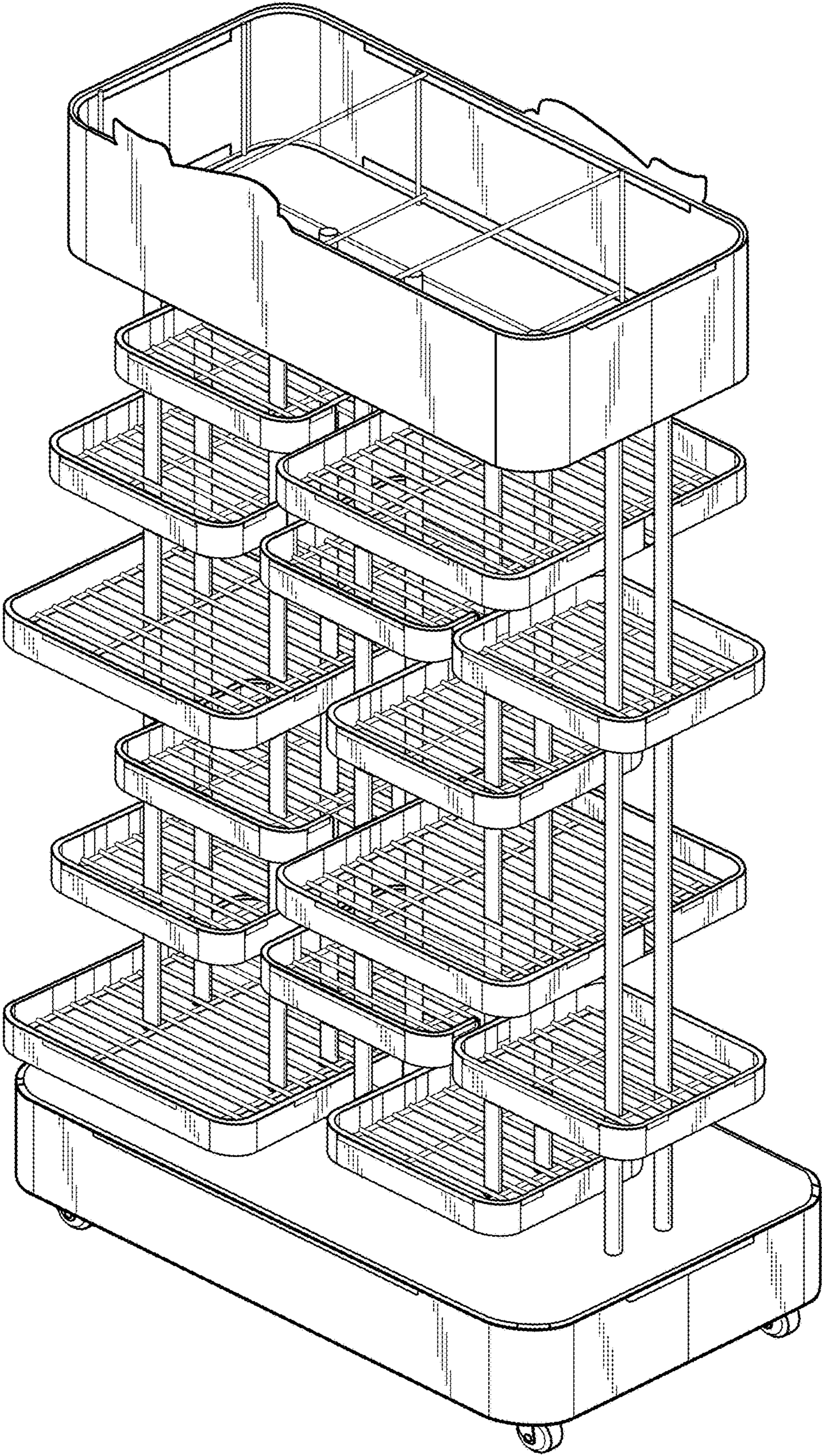


Fig. 2

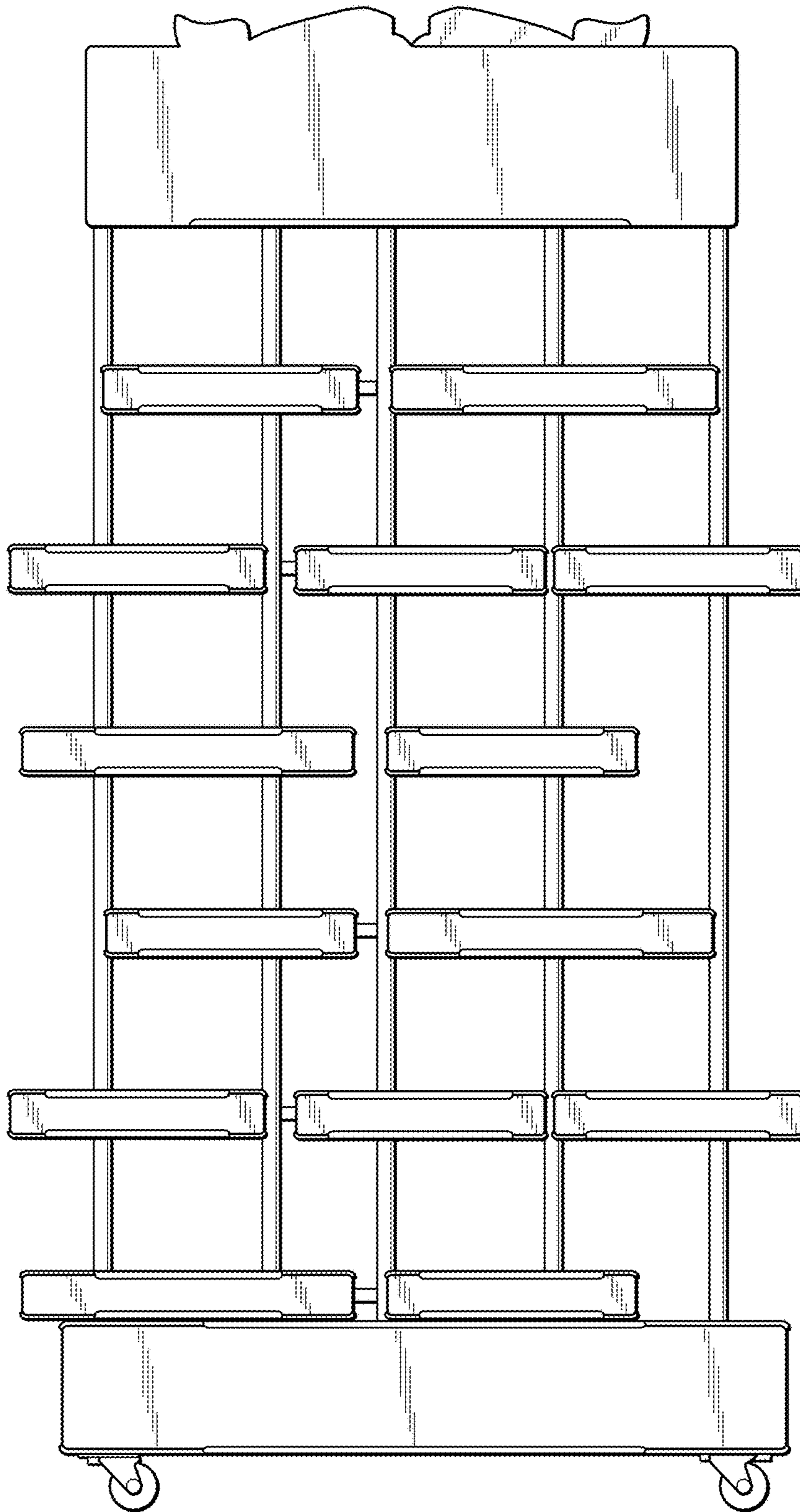


Fig. 3

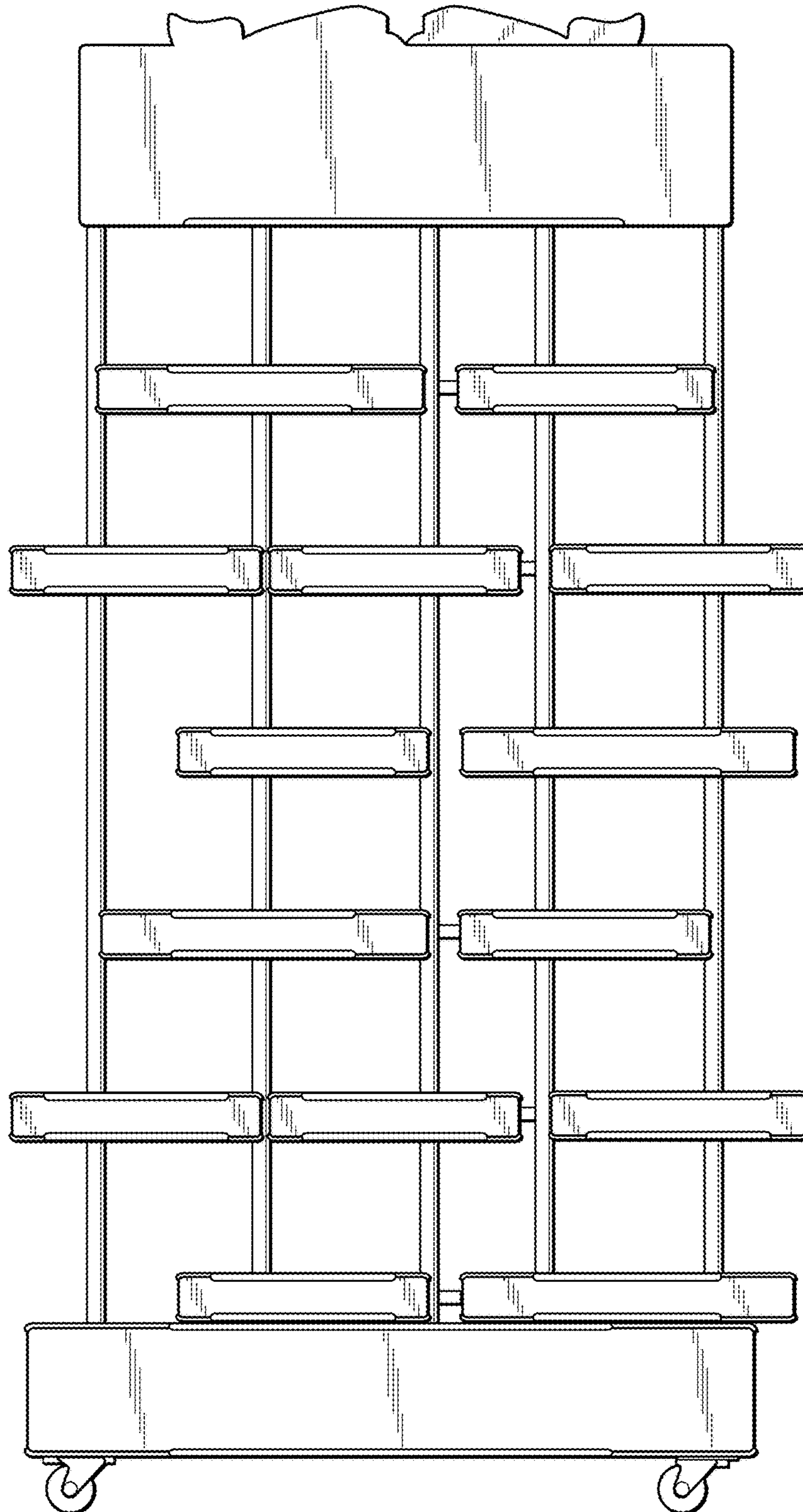


Fig. 4

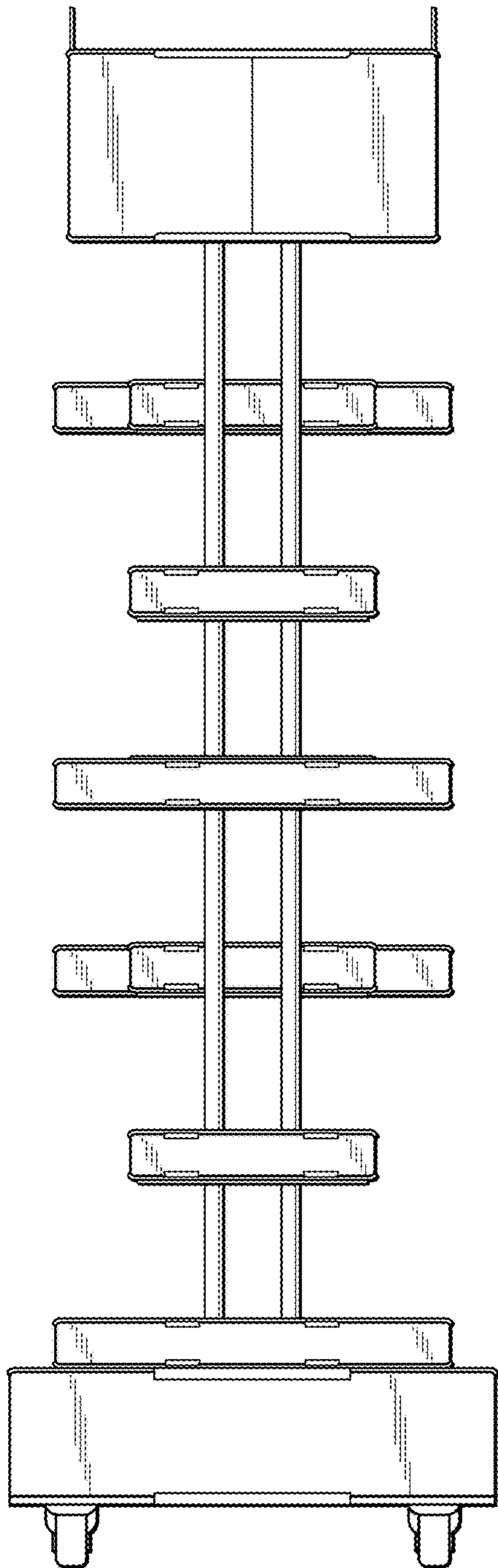


Fig. 5

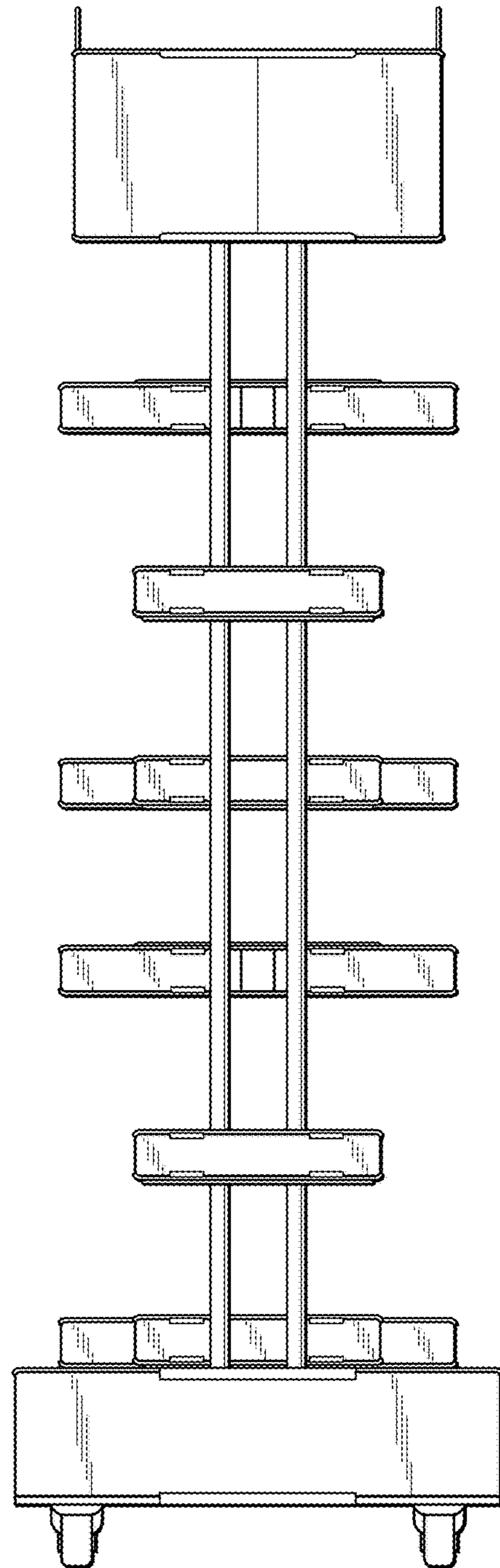


Fig. 6

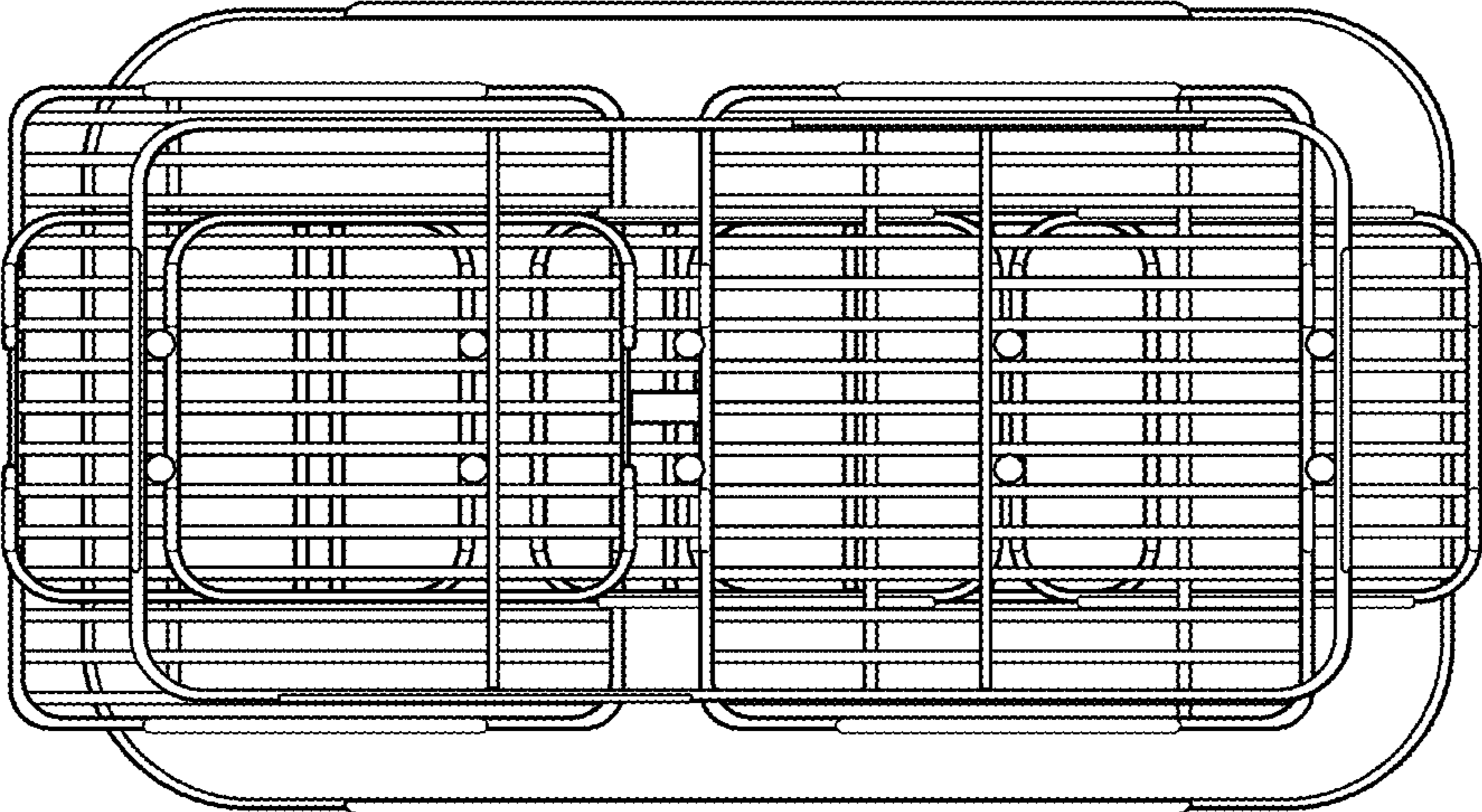


Fig. 7

