



US00D786587S

(12) **United States Design Patent**
Udagawa et al.

(10) **Patent No.:** **US D786,587 S**
(45) **Date of Patent:** **** May 16, 2017**

- (54) **ARTICLE OF FURNITURE**
- (71) Applicant: **KNOLL, INC.**, East Greenville, PA (US)
- (72) Inventors: **Masamichi Udagawa**, New York, NY (US); **Sigrid Moeslinger**, New York, NY (US)
- (73) Assignee: **Knoll, Inc.**, East Greenville, PA (US)
- (**) Term: **15 Years**
- (21) Appl. No.: **29/575,495**
- (22) Filed: **Aug. 25, 2016**

- D318,738 S * 7/1991 Clodfelter, Sr. D13/139.2
- 5,052,517 A * 10/1991 Wallman B25H 1/06
182/155
- 5,119,903 A * 6/1992 Ulshafer, Jr. B25H 1/06
182/155
- D365,802 S * 1/1996 Fladung D13/139.8
- D379,236 S * 5/1997 Sheftel D25/67
- D380,558 S * 7/1997 Clavin D25/64
- D401,224 S * 11/1998 Mollenkopf D13/155
- 5,971,508 A * 10/1999 Deimen A47B 21/06
108/50.02
- 6,059,071 A * 5/2000 Appezzato B25H 1/06
182/181.1
- D437,144 S * 2/2001 Fear D13/139.8
- D437,707 S * 2/2001 Fear D13/139.8

(Continued)

Primary Examiner — John Windmuller
Assistant Examiner — Steven Czyz
(74) *Attorney, Agent, or Firm* — Buchanan Ingesoll & Rooney PC

Related U.S. Application Data

- (62) Division of application No. 29/529,041, filed on Jun. 3, 2015.
- (51) **LOC (10) Cl.** **06-04**
- (52) **U.S. Cl.**
USPC **D6/672**
- (58) **Field of Classification Search**
USPC D6/641, 648.1, 672, 684, 713; D13/133,
D13/139.1–139.8, 137.2; D25/67, 68
CPC H02B 15/00; A47B 21/06; H05K 7/00;
H05K 7/026; H05K 7/10; H01B 11/04;
B25B 1/02; B25B 1/04; B25B 1/14
See application file for complete search history.

(57) **CLAIM**

The ornamental design for an article of furniture, as shown and described.

DESCRIPTION

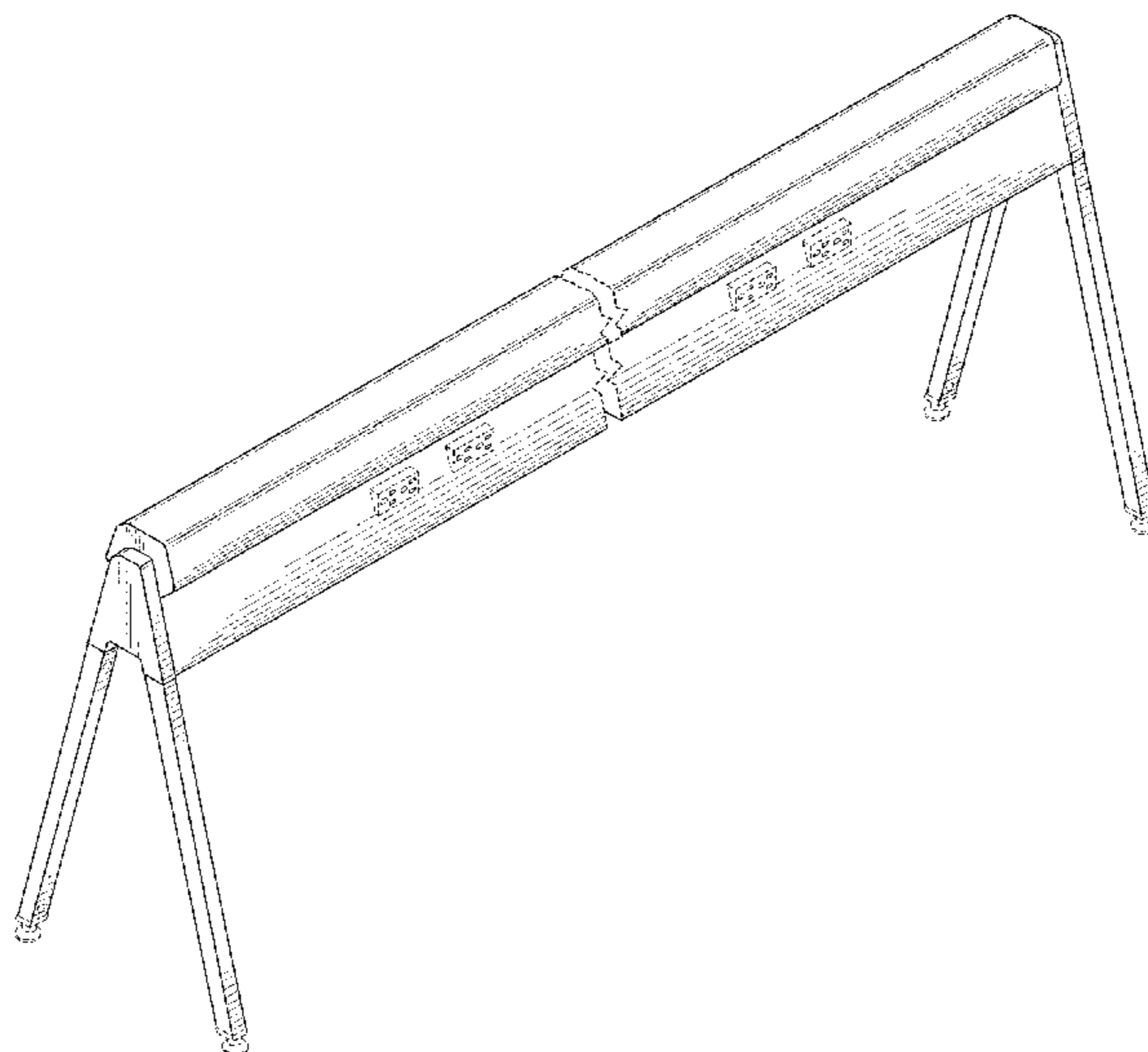
FIG. 1 is a perspective view of an article of furniture showing our new design;
FIG. 2 is a front elevation view thereof;
FIG. 3 is a rear elevation view thereof;
FIG. 4 is a top plan view thereof;
FIG. 5 is a bottom plan view thereof;
FIG. 6 is a left side elevation view thereof; and,
FIG. 7 is a right side elevation view thereof.
The broken away portions shown in the drawing figures are meant to indicate that no specific length other than what is shown is claimed. The broken lines shown in the drawings depict portions of the article that form no part of the claimed design.

(56) **References Cited**

U.S. PATENT DOCUMENTS

- 3,734,235 A 5/1973 Lanier
- D244,465 S * 5/1977 Stoneman D13/139.4
- D247,894 S * 5/1978 O'Donnell D13/139.4
- D294,666 S * 3/1988 Favaretto D6/648.1
- 4,747,469 A * 5/1988 Phillips B25H 1/06
182/186.5
- 4,884,658 A * 12/1989 Banfield B25H 1/06
182/129

1 Claim, 5 Drawing Sheets



(56)

References Cited

U.S. PATENT DOCUMENTS

D448,346 S *	9/2001	Hellwig	D13/139.5	2005/0101193 A1*	5/2005	Godard	H01R 25/00
6,374,548 B1 *	4/2002	Ruedinger	A47B 21/06					439/652
				52/36.1	2009/0242329 A1*	10/2009	Krauss	B25H 1/06
D473,518 S *	4/2003	Hellwig	D13/139.5					182/153
D515,032 S *	2/2006	Petrick	D13/139.2	2010/0084221 A1*	4/2010	Cuccio	B25H 1/08
D535,257 S *	1/2007	Byrne	D13/139.4					182/129
D548,188 S *	8/2007	Vargas	D13/139.8	2010/0282540 A1*	11/2010	Moss	B25H 1/06
D571,121 S *	6/2008	Radermacher	D15/127					182/119
D581,874 S *	12/2008	Zhou	D13/139.6	2010/0288585 A1*	11/2010	Katz	B25H 1/06
D634,858 S *	3/2011	Landau	D25/67					182/155
D638,141 S *	5/2011	Busschaert	D25/67	2011/0297052 A1*	12/2011	Martin	A47B 13/003
D660,250 S *	5/2012	Martin	D13/155					108/27
D682,213 S *	5/2013	Byrne	D13/139.4	2014/0106610 A1*	4/2014	Byrne	A47B 97/00
D686,574 S *	7/2013	Miller	D13/139.8					439/544
D691,953 S *	10/2013	Chayer	D13/139.4	2015/0173505 A1*	6/2015	Mirth	A47B 13/16
D695,224 S *	12/2013	Picard	D13/139.4					211/186
D721,442 S *	1/2015	Wang	D25/67	2015/0238008 A1*	8/2015	Rutz	A47B 13/081
D762,177 S *	7/2016	Sumwalt	D13/139.4					384/26
2004/0149177 A1*	8/2004	Gayhart	A47B 21/06	2016/0104982 A1*	4/2016	Ho	A47B 21/06
				108/50.02					439/529
					2016/0205797 A1*	7/2016	Mangione	H05K 5/0217
									174/535

* cited by examiner

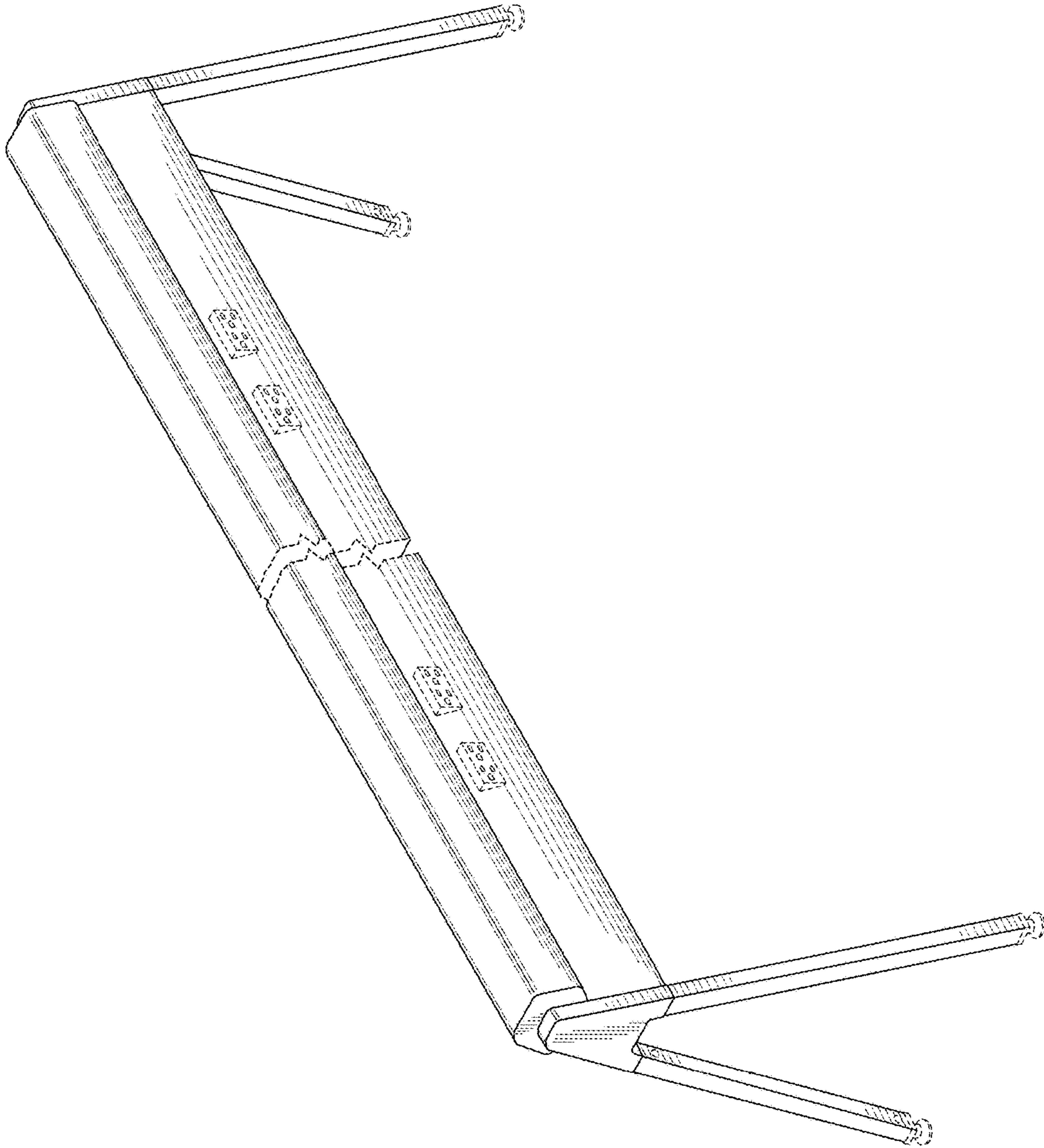


FIG. 1

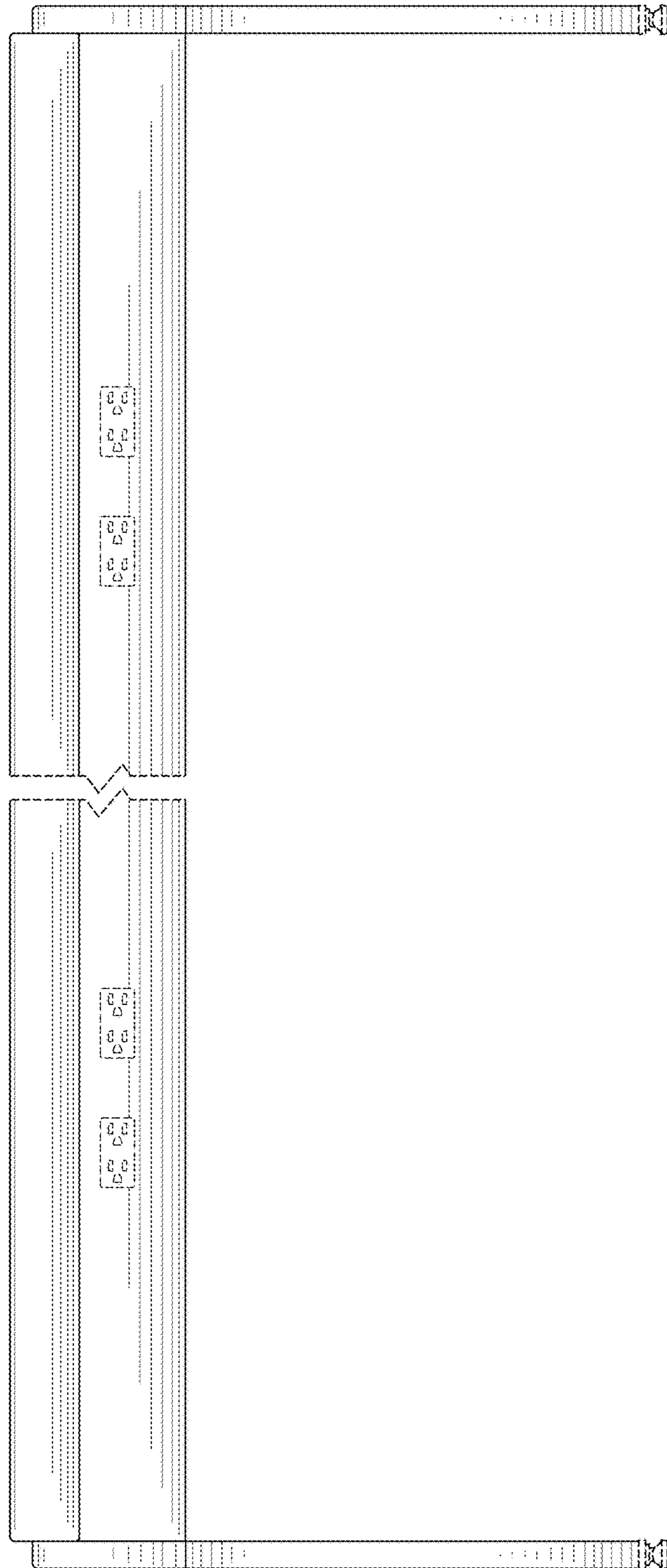


FIG. 2

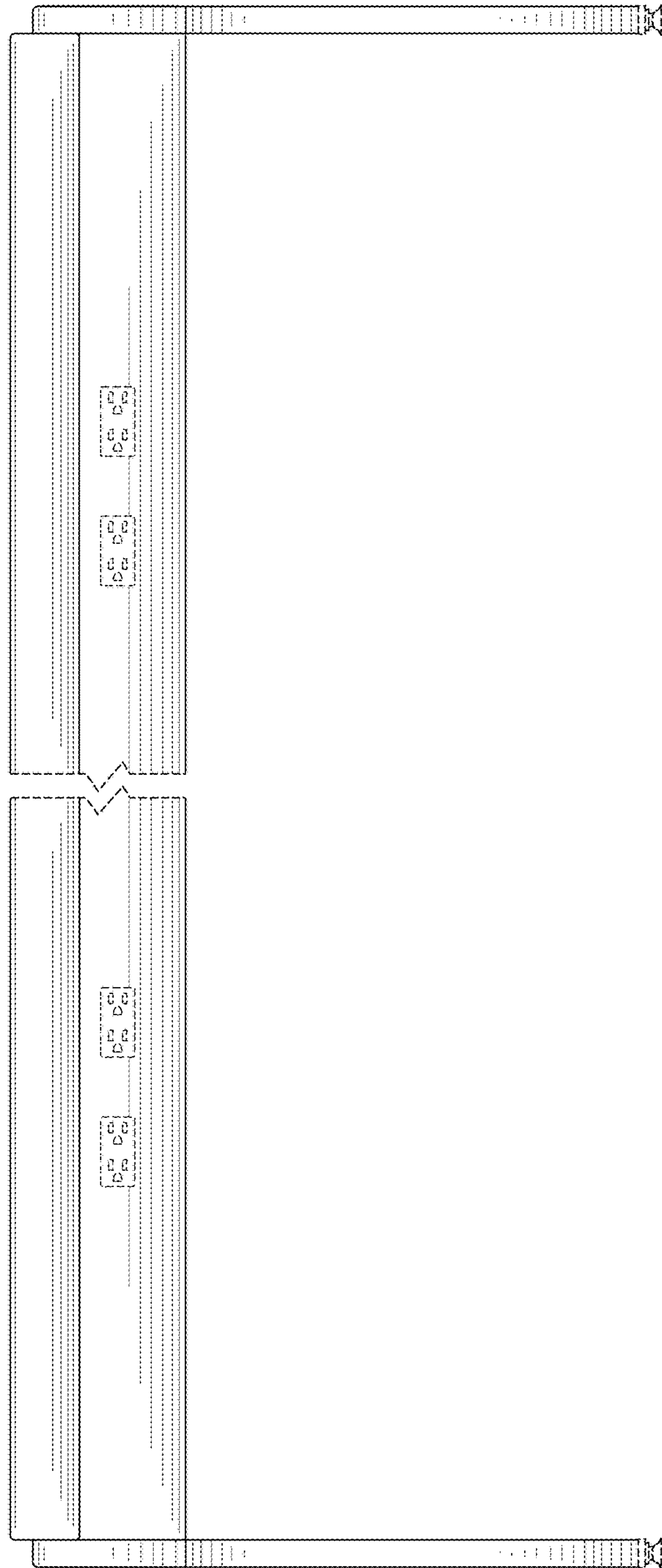


FIG. 3

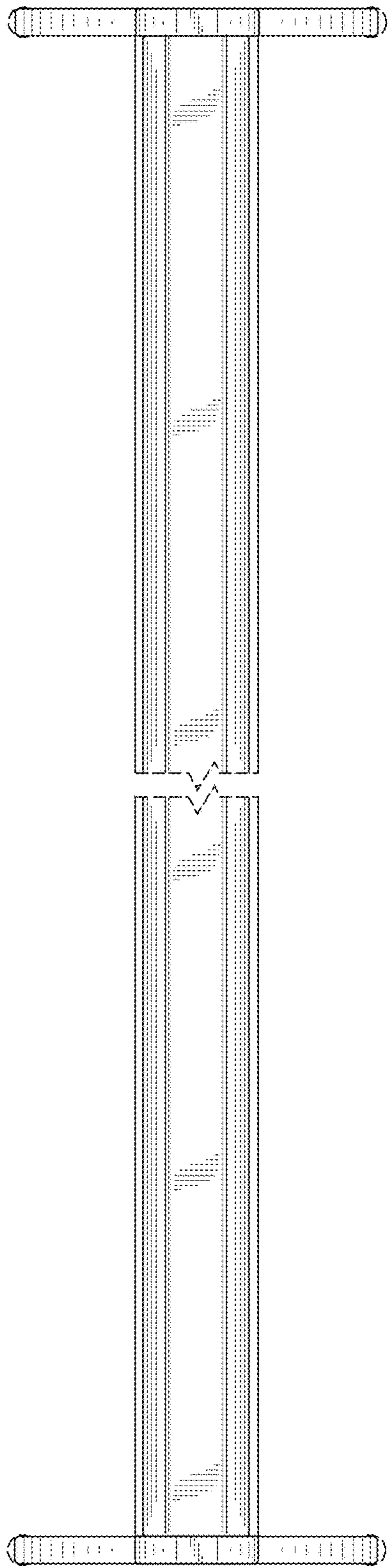


FIG. 4

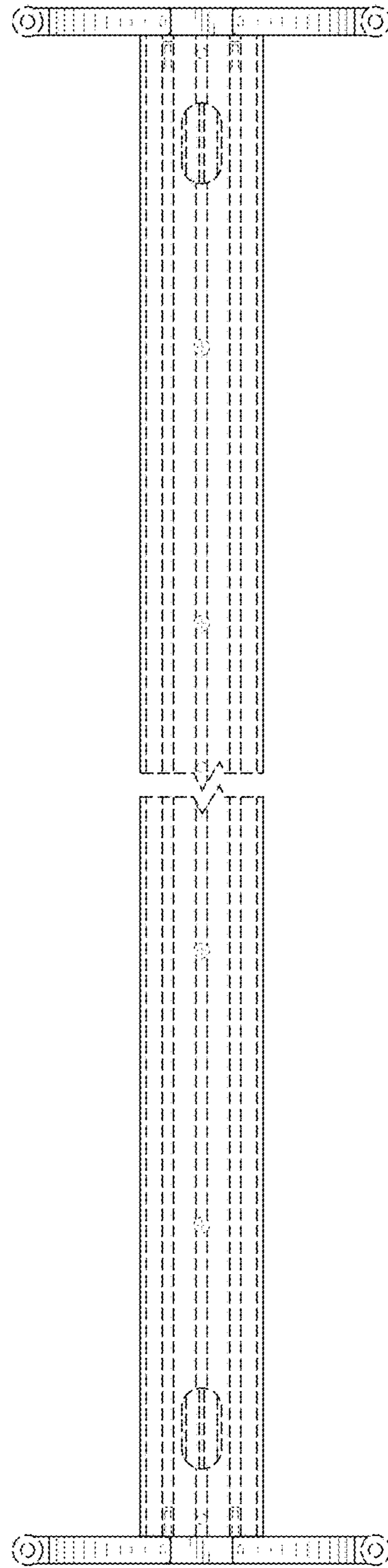


FIG. 5

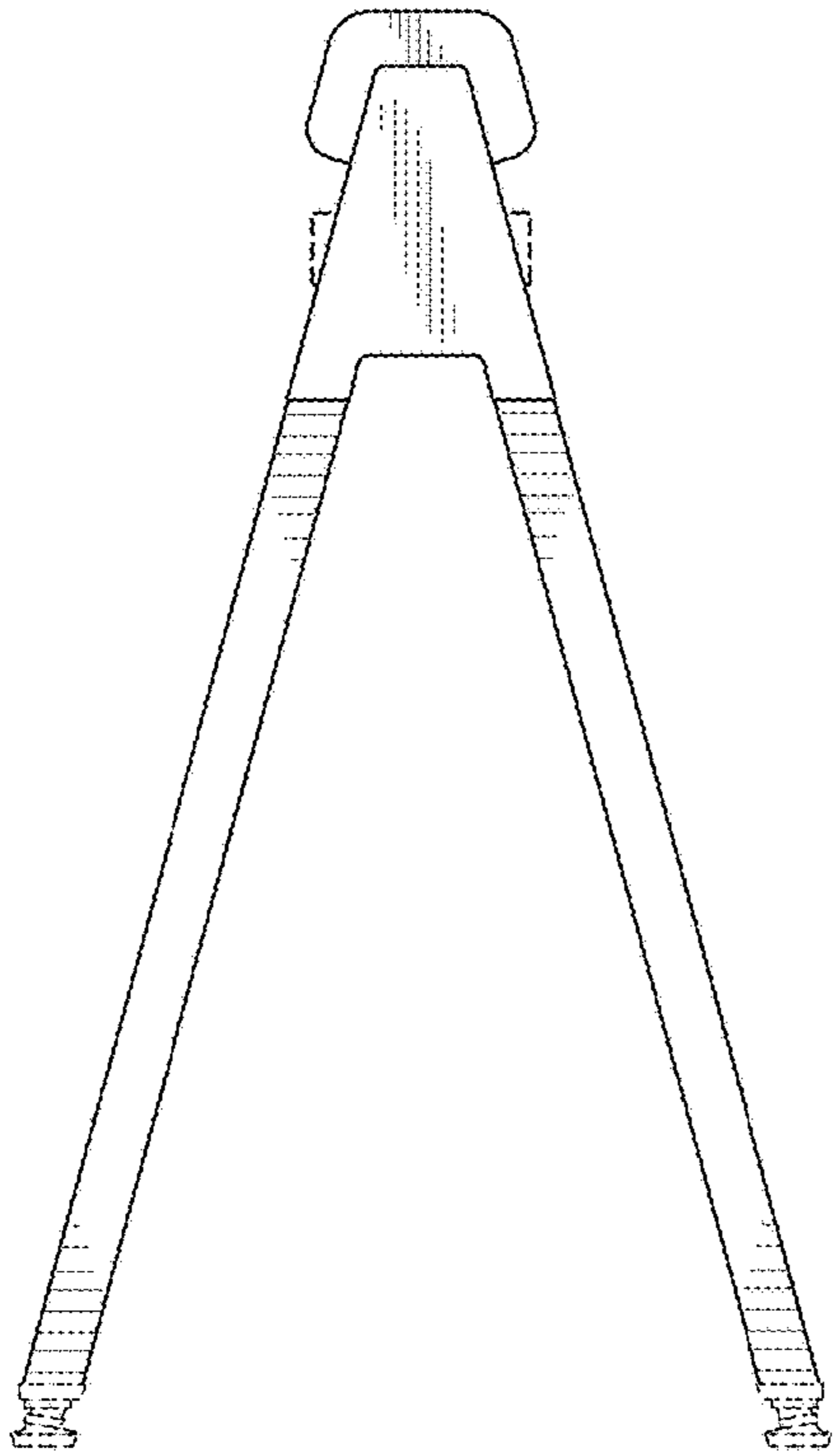


FIG. 6

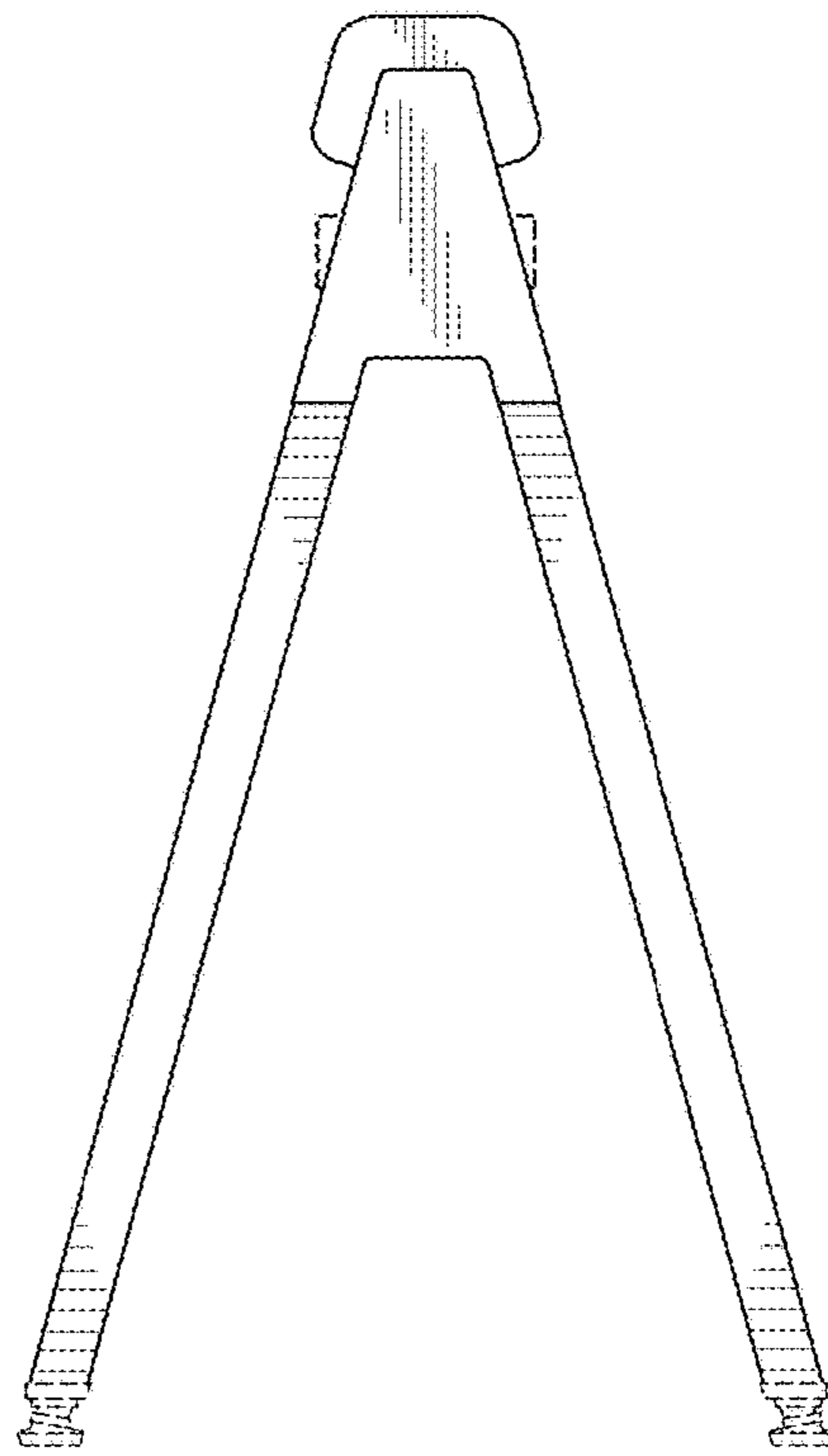


FIG. 7