



US00D786586S

(12) **United States Design Patent**  
**Rosan**

(10) **Patent No.:** **US D786,586 S**

(45) **Date of Patent:** **\*\* May 16, 2017**

(54) **MODULAR DESK**

(71) Applicant: **EverBlock Systems, LLC**, New York, NY (US)

(72) Inventor: **Arnon Rosan**, New York, NY (US)

(73) Assignee: **EverBlock Systems, LLC**, New York, NY (US)

(\*\*) Term: **15 Years**

(21) Appl. No.: **29/556,648**

(22) Filed: **Mar. 2, 2016**

(51) **LOC (10) Cl.** ..... **06-03**

(52) **U.S. Cl.**  
USPC ..... **D6/641**

(58) **Field of Classification Search**  
USPC ..... D6/641, 642, 645, 656, 707, 708, 675  
CPC ..... A47B 1/00; A47B 1/08  
See application file for complete search history.

(56) **References Cited**

**U.S. PATENT DOCUMENTS**

879,455 A	2/1908	Frost	
D148,930 S	3/1948	Hickman	
3,005,282 A	10/1961	Christiansen	
D194,083 S *	11/1962	Brach	D6/675
3,162,973 A	12/1964	Godtfred	
3,382,632 A	5/1968	Grofcsik	
4,026,086 A	5/1977	Langley	
D304,042 S	10/1989	Poulsen	
D317,482 S	6/1991	Michaelsen	
5,061,218 A	10/1991	Garage	
D326,874 S	6/1992	Dideriksen	
D331,696 S	12/1992	Graham	

(Continued)

**OTHER PUBLICATIONS**

Lego Classic website, May 31, 2016, (1 page).

(Continued)

*Primary Examiner* — Rosemary K Tarcza

*Assistant Examiner* — Alison Ofstun

(74) *Attorney, Agent, or Firm* — Metz Lewis Brodman  
Must O'Keefe LLC

(57) **CLAIM**

The ornamental design for a modular desk, as shown and described.

**DESCRIPTION**

FIG. 1 is a perspective view of a modular desk showing my new design;

FIG. 2 is a top plan view of the modular desk of FIG. 1;

FIG. 3 is a bottom plan view of the modular desk of FIG. 1;

FIG. 4 is front elevation of the modular desk of FIG. 1, with the back side elevation being the same;

FIG. 5 is a right side elevation of the modular desk of FIG. 1, with the left side elevation being the same;

FIG. 6 is an exploded view of FIG. 1;

FIG. 7 is a perspective view of the desktop of the modular desk of FIG. 1, shown separately for ease of illustration;

FIG. 8 is a top plan view of the desktop of FIG. 7;

FIG. 9 is a bottom plan view of the desktop of FIG. 7;

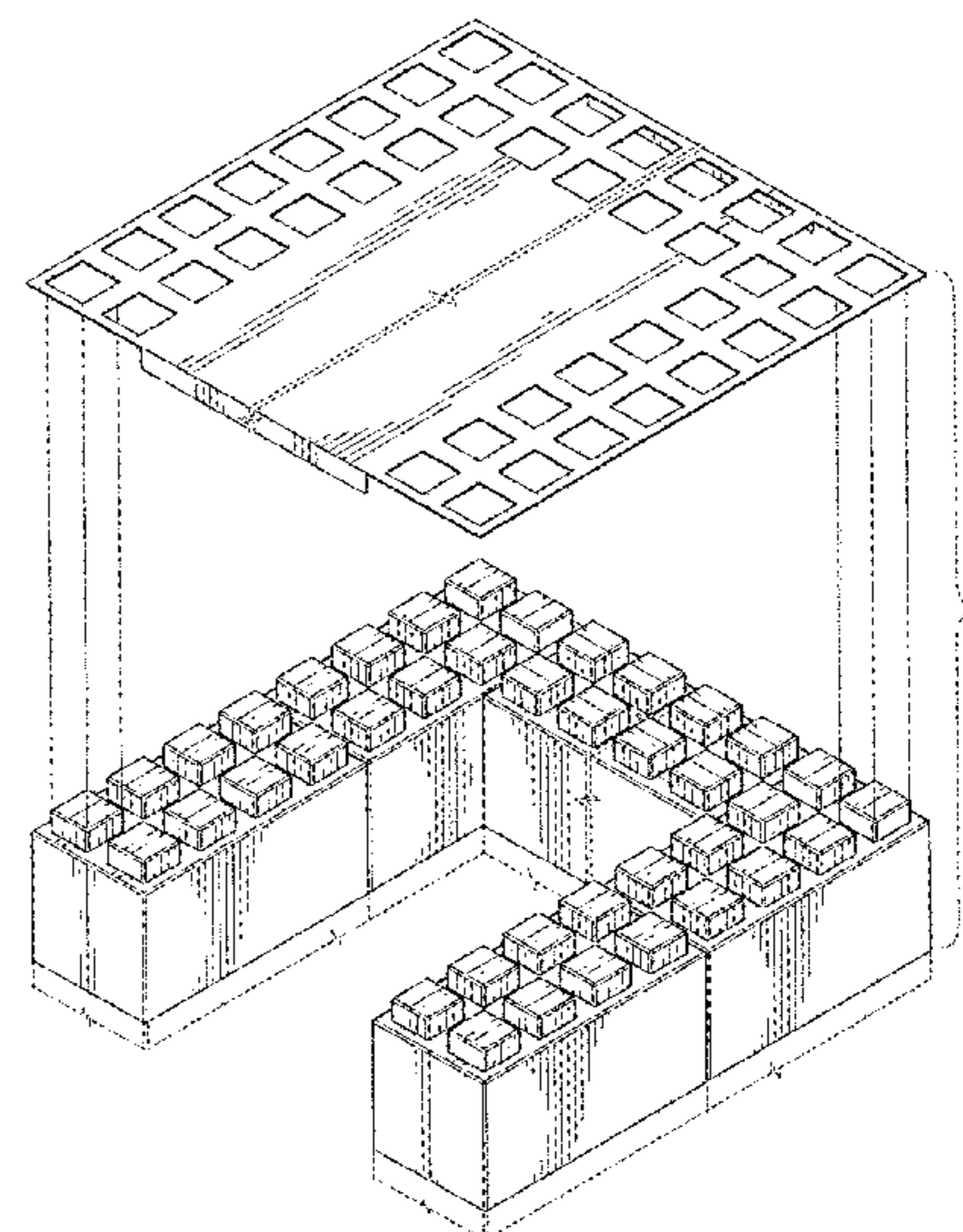
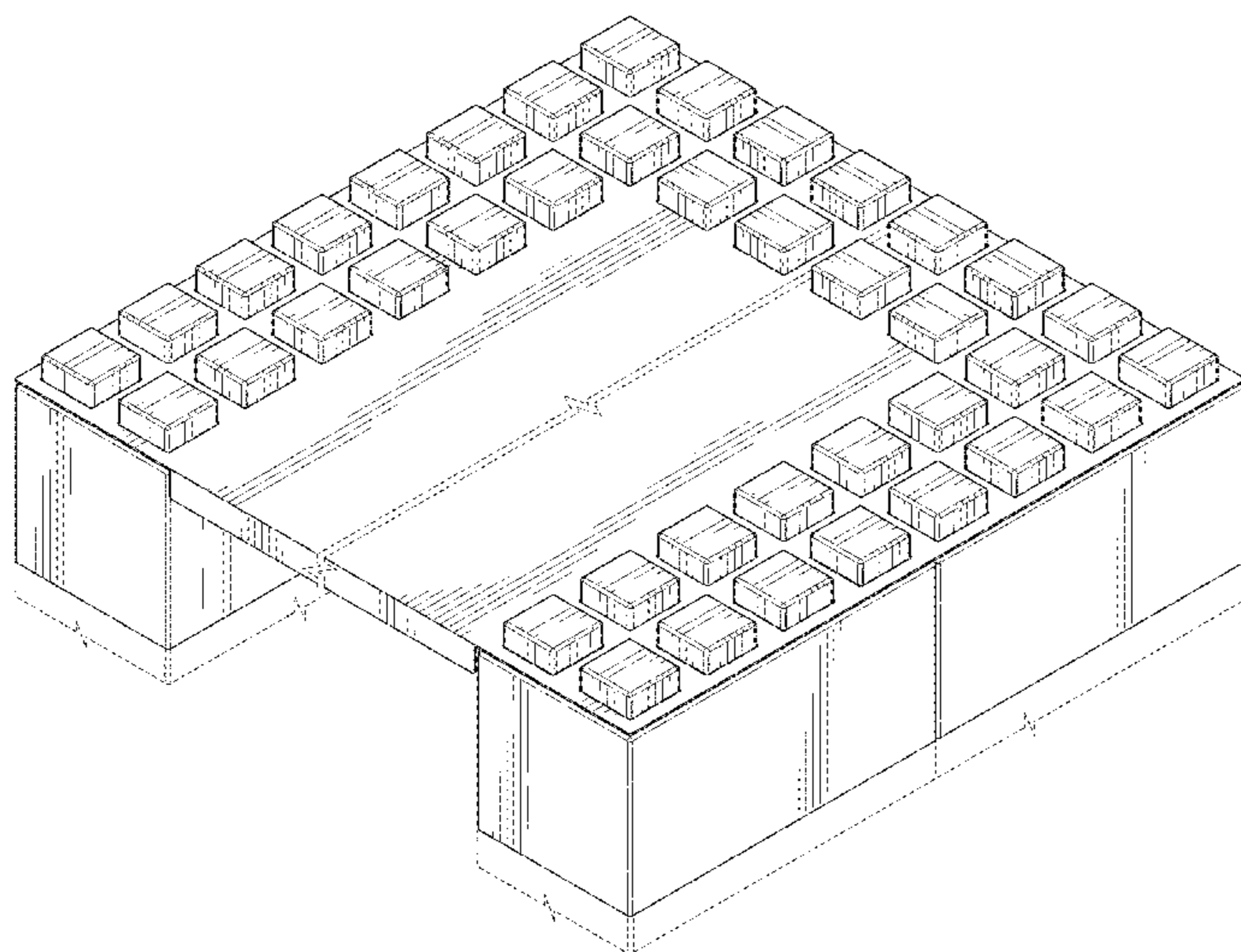
FIG. 10 is front elevation of the desktop of FIG. 7, with the back elevation being the same; and,

FIG. 11 is a right side elevation of the desktop of FIG. 7, with the left side elevation being the same.

The dashed lines shown in the drawing Figures are meant to illustrate environment and form no part of the claimed design. The dot-dashed lines shown in the drawing Figures are meant to indicate alignment in the exploded views, and form no part of the claimed design.

The modular desk is shown with symbolic breaks in its length and height. The appearance of any portion of the article between the break lines forms no part of the claimed design.

**1 Claim, 9 Drawing Sheets**



(56)

References Cited

U.S. PATENT DOCUMENTS

D368,939 S \* 4/1996 Frederiksen ..... D21/500  
 D376,281 S \* 12/1996 Robertson ..... D6/349  
 D378,837 S 4/1997 Olsen  
 D387,431 S 12/1997 Tremblay  
 D391,110 S \* 2/1998 Graebe ..... D6/601  
 5,833,386 A \* 11/1998 Rosan ..... E01C 9/086  
 404/36  
 D409,676 S 5/1999 Toft  
 D416,143 S \* 11/1999 Ragan ..... D6/349  
 D426,933 S 6/2000 Redfern  
 6,200,187 B1 3/2001 Olsen et al.  
 D445,148 S 7/2001 McIntosh  
 D449,170 S \* 10/2001 Kim ..... D6/349  
 D457,971 S 5/2002 Schrader  
 D552,190 S 10/2007 Glickman  
 D581,553 S \* 11/2008 Cooper ..... D25/163  
 D652,952 S 1/2012 Angel  
 D686,676 S 7/2013 Telford  
 D689,954 S 9/2013 Rya  
 D695,534 S \* 12/2013 Matasovi ..... D6/349

D717,379 S 11/2014 Deutsch  
 D724,760 S \* 3/2015 Saunders ..... D25/113  
 9,187,895 B2 11/2015 Rodriguez Carassus  
 D746,605 S \* 1/2016 Matasovic ..... D6/349  
 D748,415 S \* 2/2016 De Roeck ..... D6/675  
 D751,153 S 3/2016 Lacroix et al.  
 D753,774 S 4/2016 Proulx et al.

OTHER PUBLICATIONS

Mega Bloks website, May 31, 2016, (1 page).  
 United States Patent and Trademark Office; Notice of Allowance/  
 Notice of Allowability; Notice of Allowance/Notice of Allowability  
 from U.S. Appl. No. 29/556,669; pp. 1-9; publisher United States  
 Patent and Trademark Office; published Alexandria, Virginia, USA;  
 copyright and mailing date Jan. 12, 2017; (9 pages).  
 United States Patent and Trademark Office; Office Action; Office  
 Action from U.S. Appl. No. 29/556,698; pp. 1-8; publisher United  
 States Patent and Trademark Office; published Alexandria, Virginia,  
 USA; copyright and mailing date Jan. 10, 2017; (8 pages).

\* cited by examiner

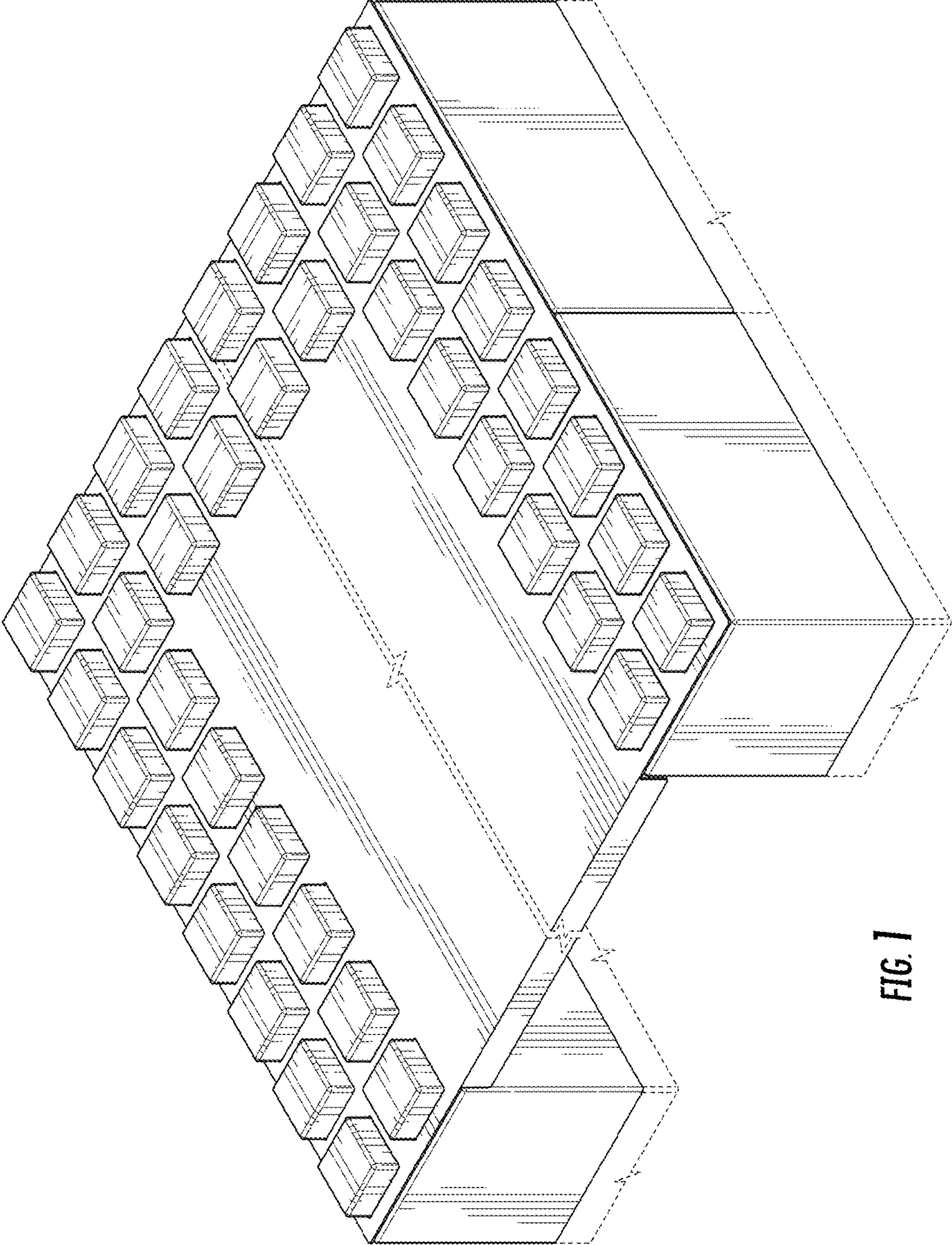


FIG. 1

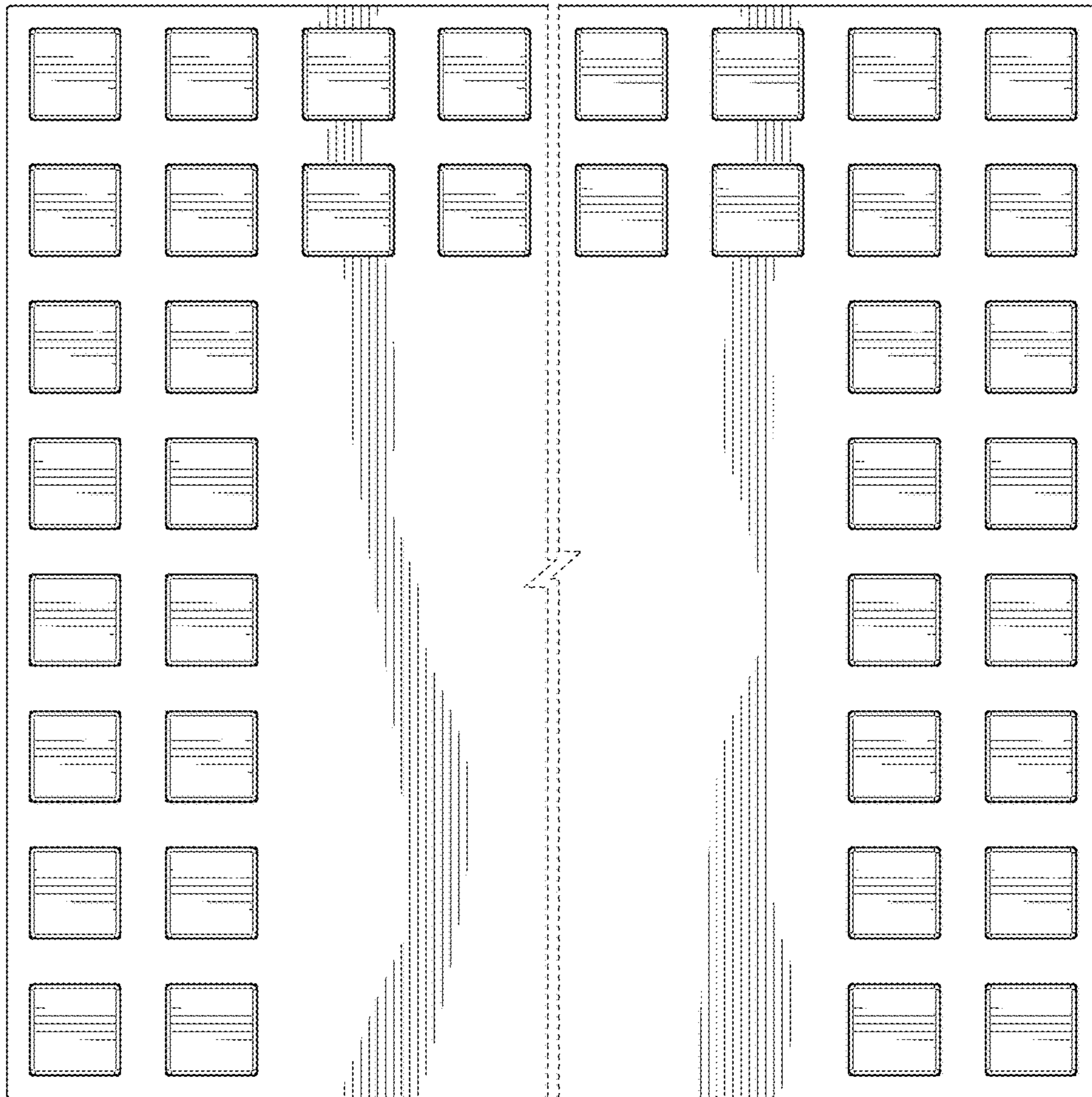


FIG. 2

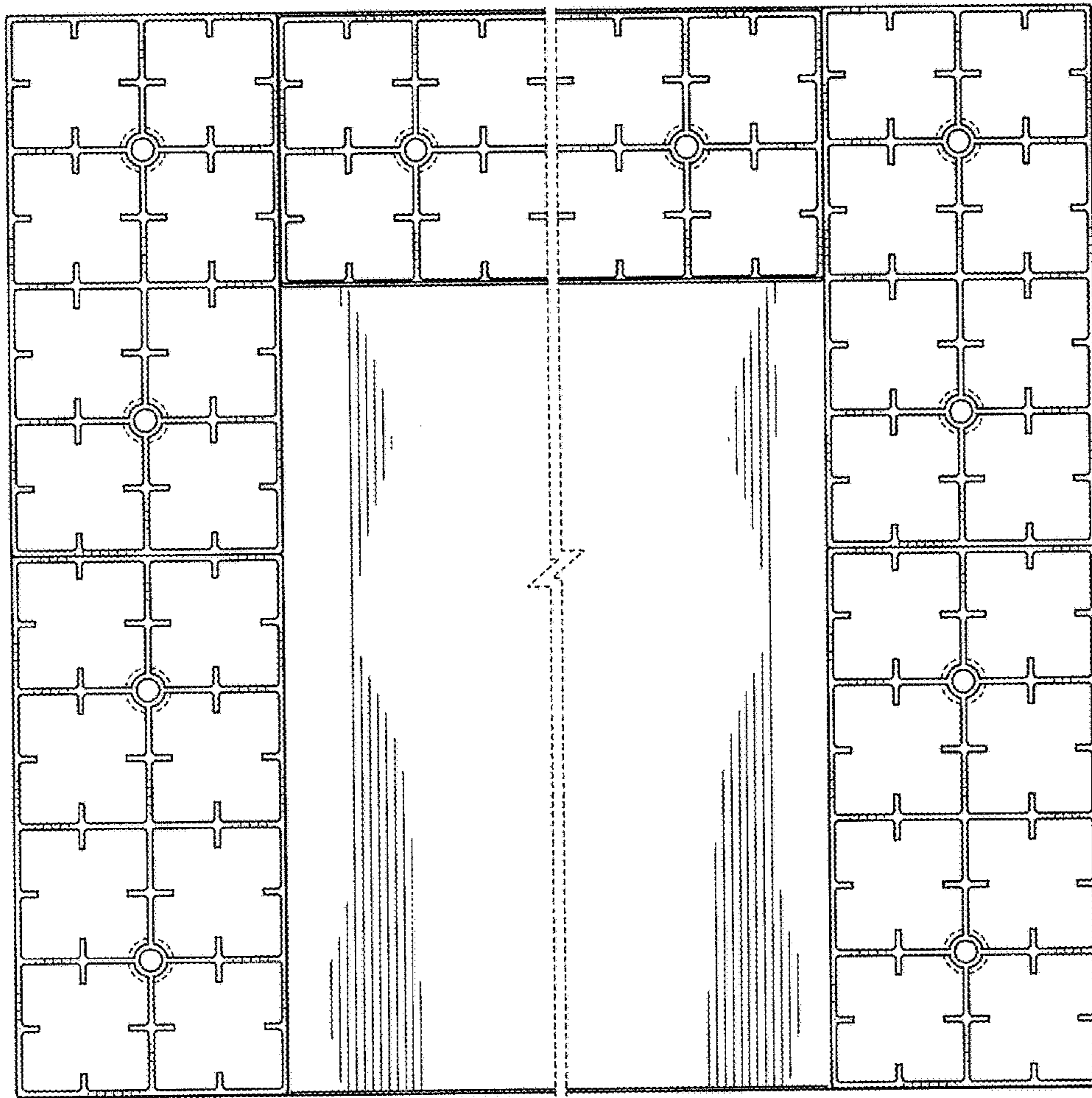


FIG. 3

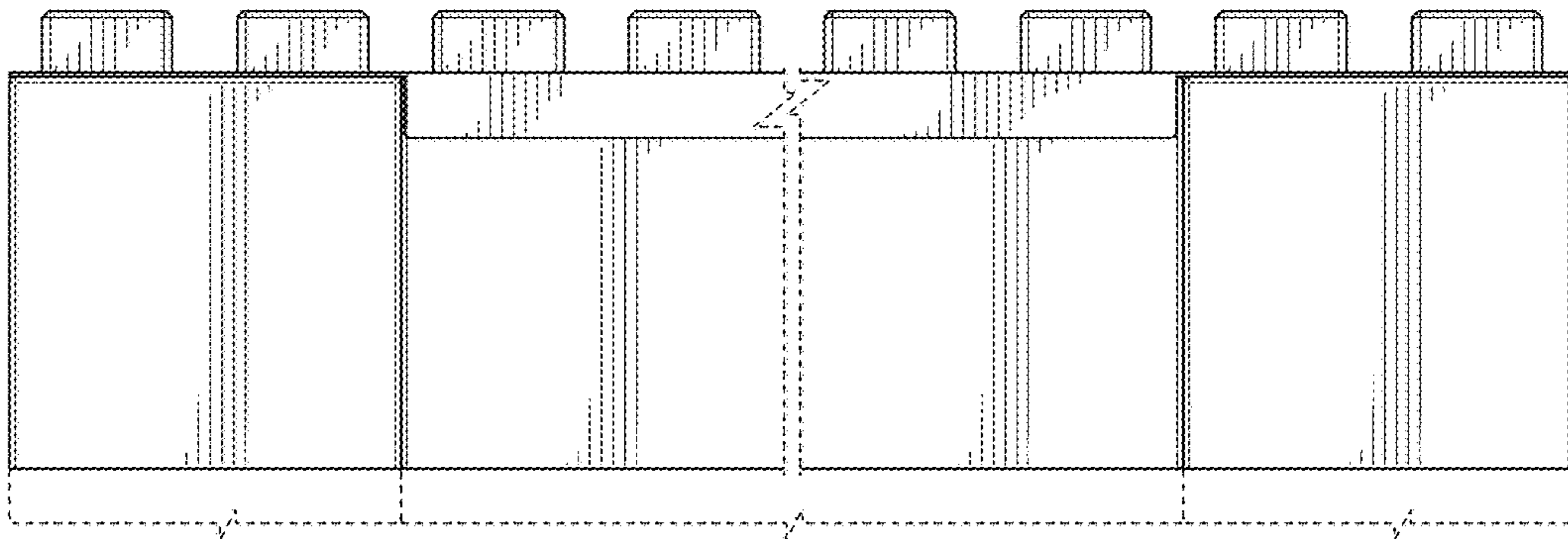


FIG. 4

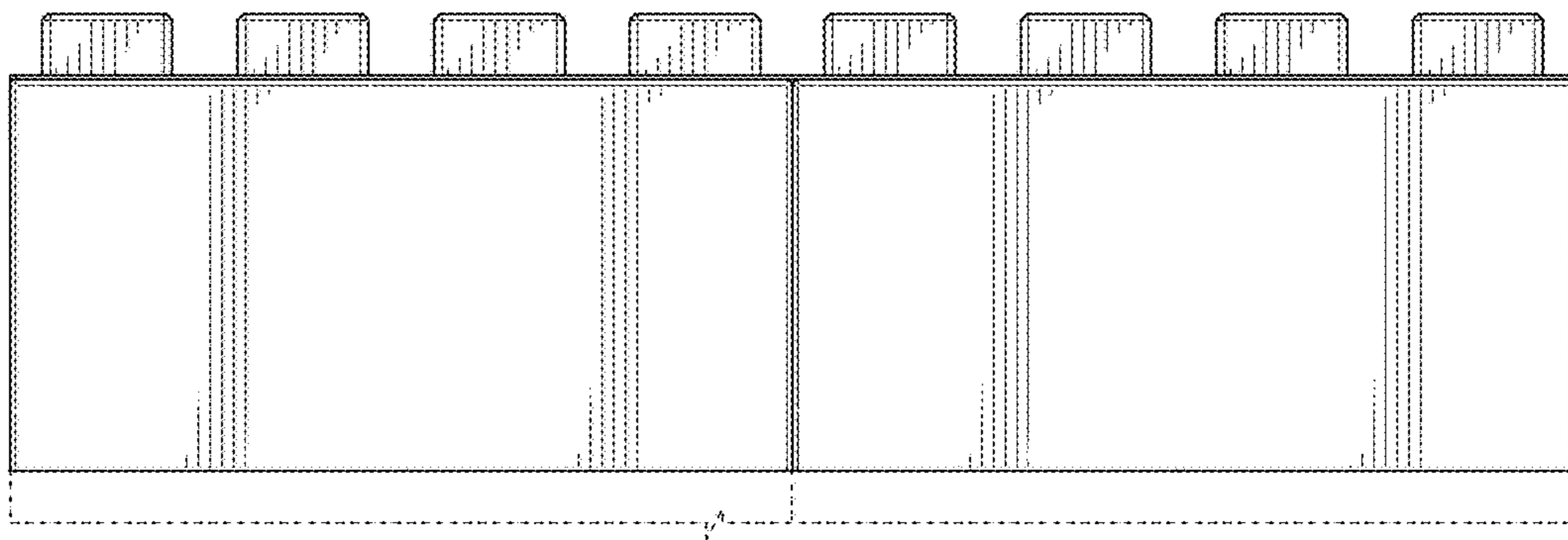


FIG. 5

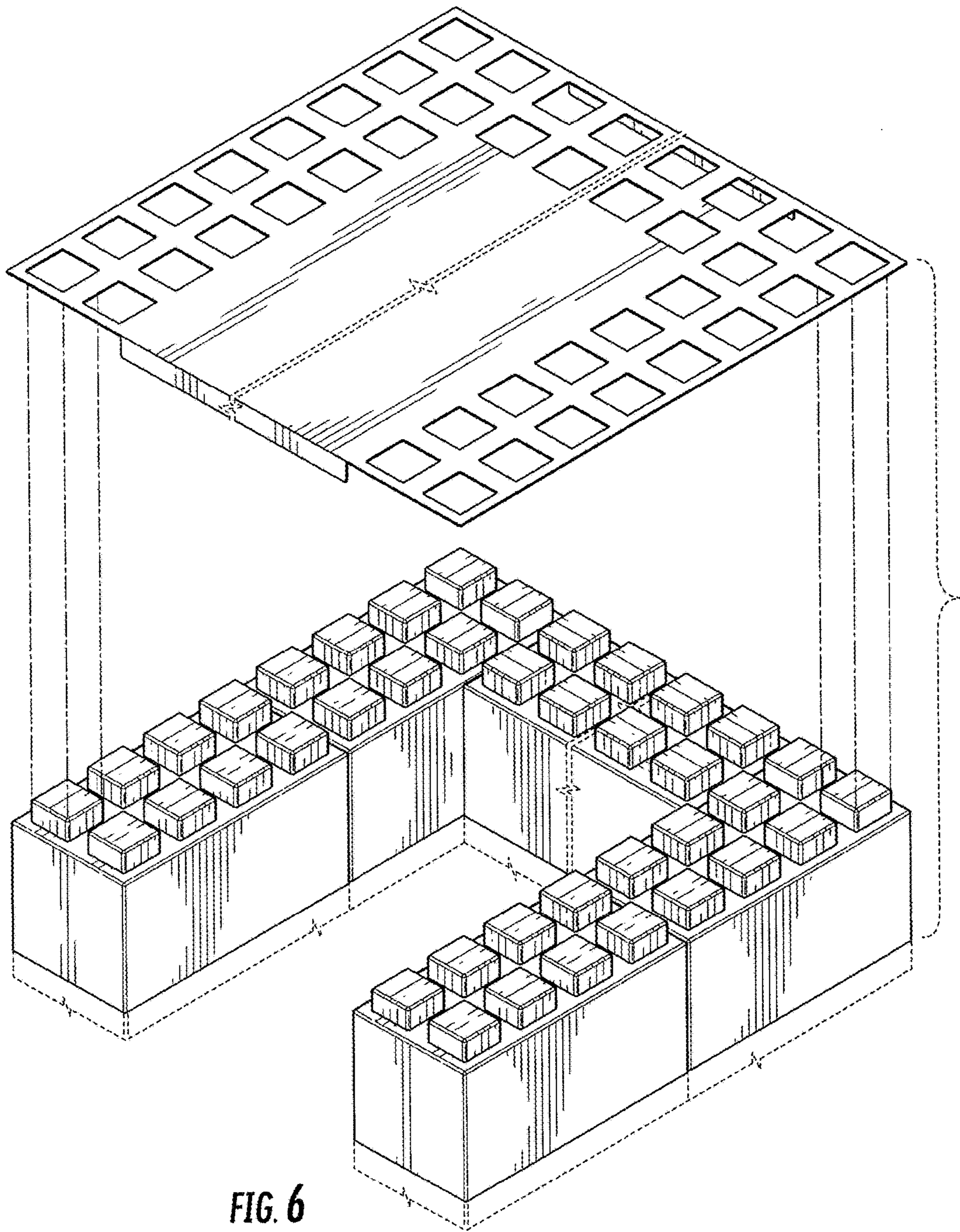


FIG. 6

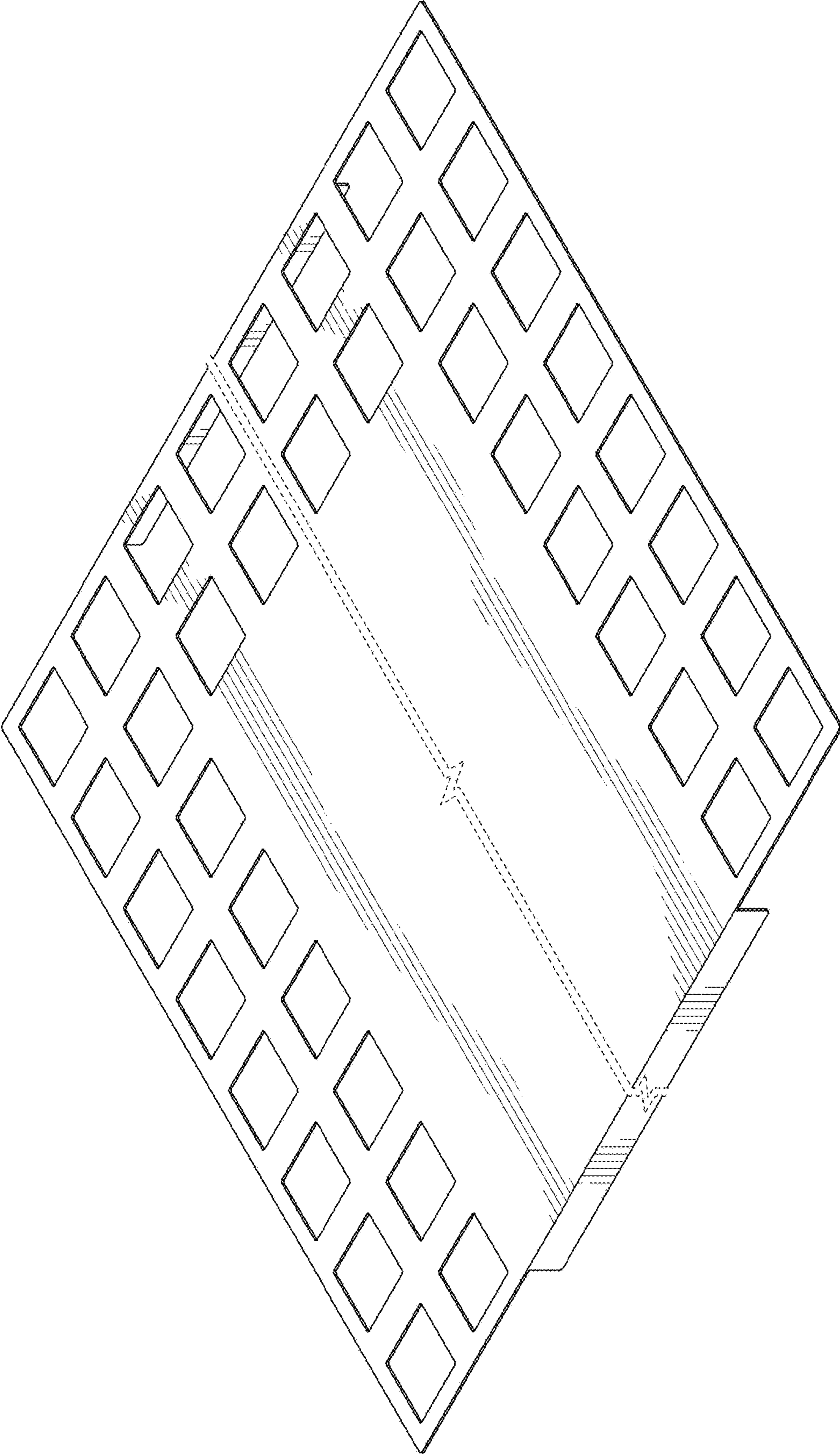


FIG. 7



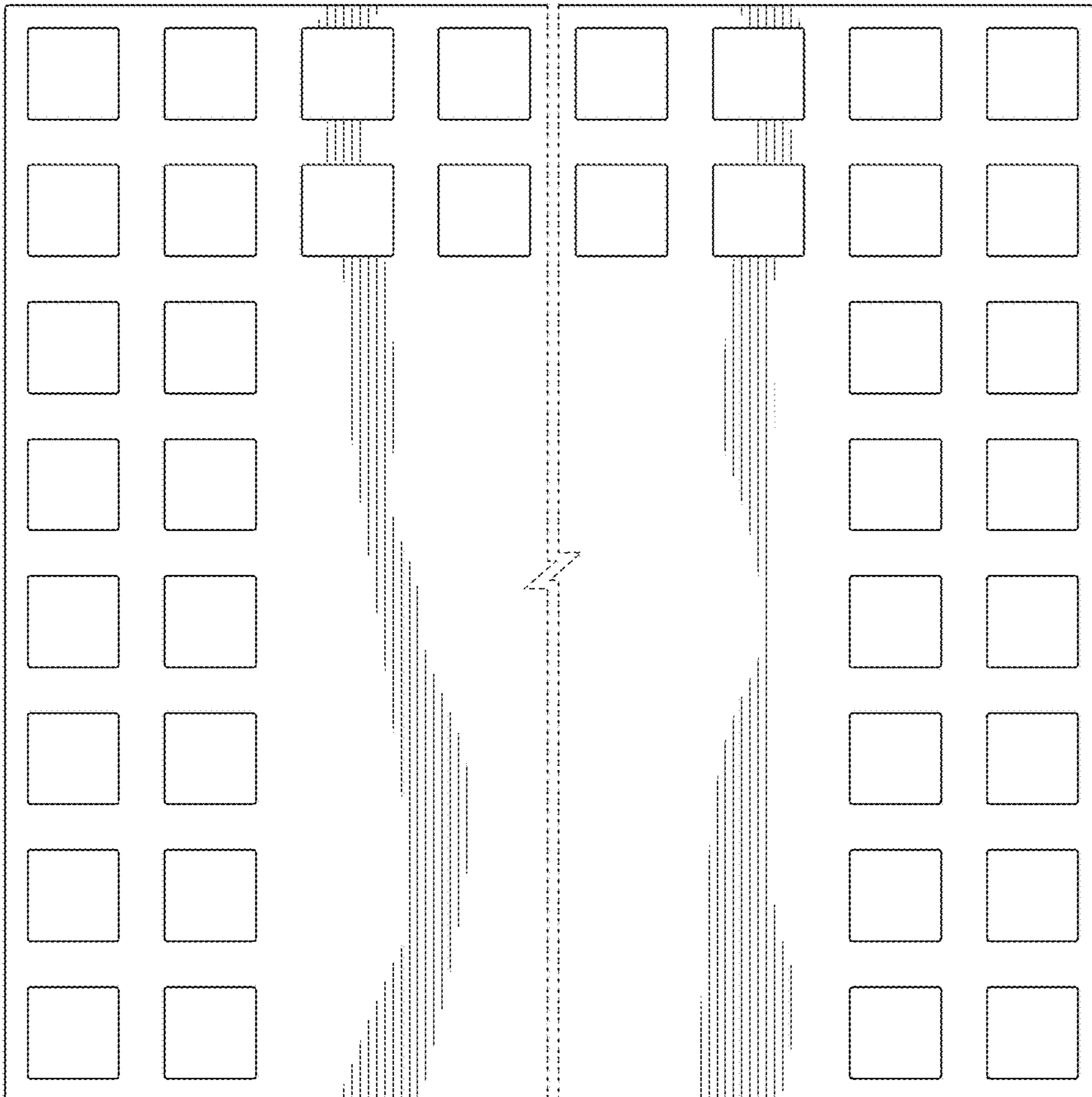


FIG. 8

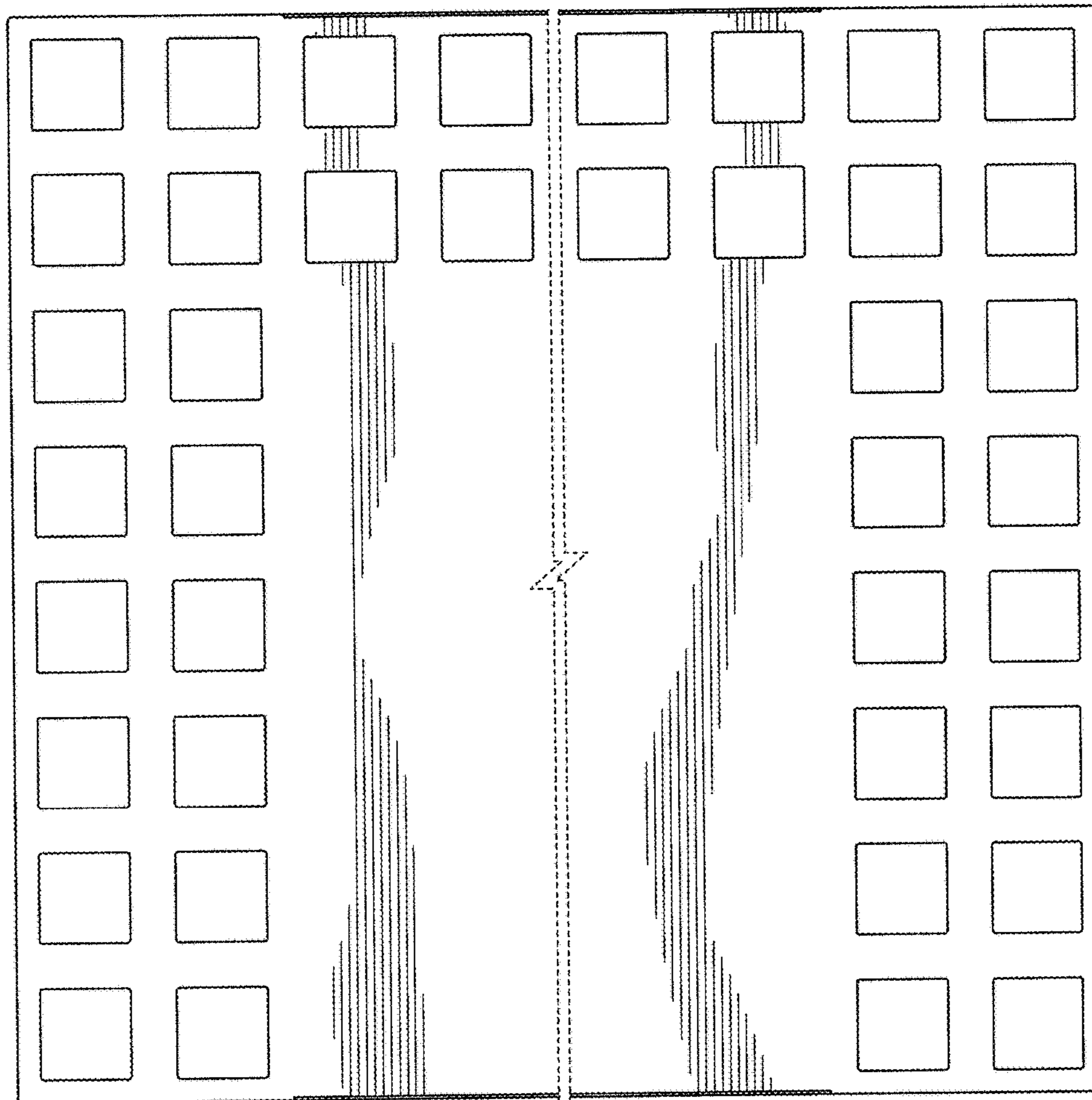
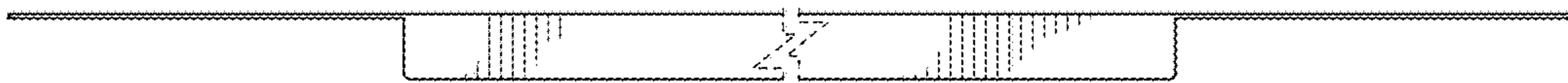
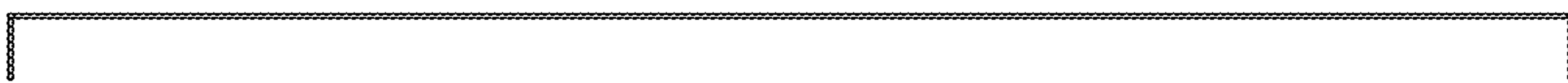


FIG. 9



**FIG. 10**



**FIG. 11**