



US00D786582S

(12) **United States Design Patent** (10) **Patent No.:** **US D786,582 S**  
**Schumacher** (45) **Date of Patent:** **\*\* May 16, 2017**

(54) **SURFBOARD BEACH STAND**  
(71) Applicant: **Stuart Schumacher**, Escondido, CA (US)  
(72) Inventor: **Stuart Schumacher**, Escondido, CA (US)  
(\*\*) Term: **15 Years**  
(21) Appl. No.: **29/559,344**  
(22) Filed: **Mar. 28, 2016**  
(51) **LOC (10) Cl.** ..... **08-08**  
(52) **U.S. Cl.**  
USPC ..... **D6/552**  
(58) **Field of Classification Search**  
USPC ..... D6/552, 406.5, 647, 648.1, 672, 681;  
D21/385, 662, 698, 715, 769  
CPC ..... B63B 35/7946; B63B 35/79; B63B  
2035/794; B63B 21/00; B63B 21/04;  
B63B 21/08; A63C 17/265; E05B  
73/0094; A47F 7/0021; A63B 69/0093;  
F16M 13/02  
See application file for complete search history.

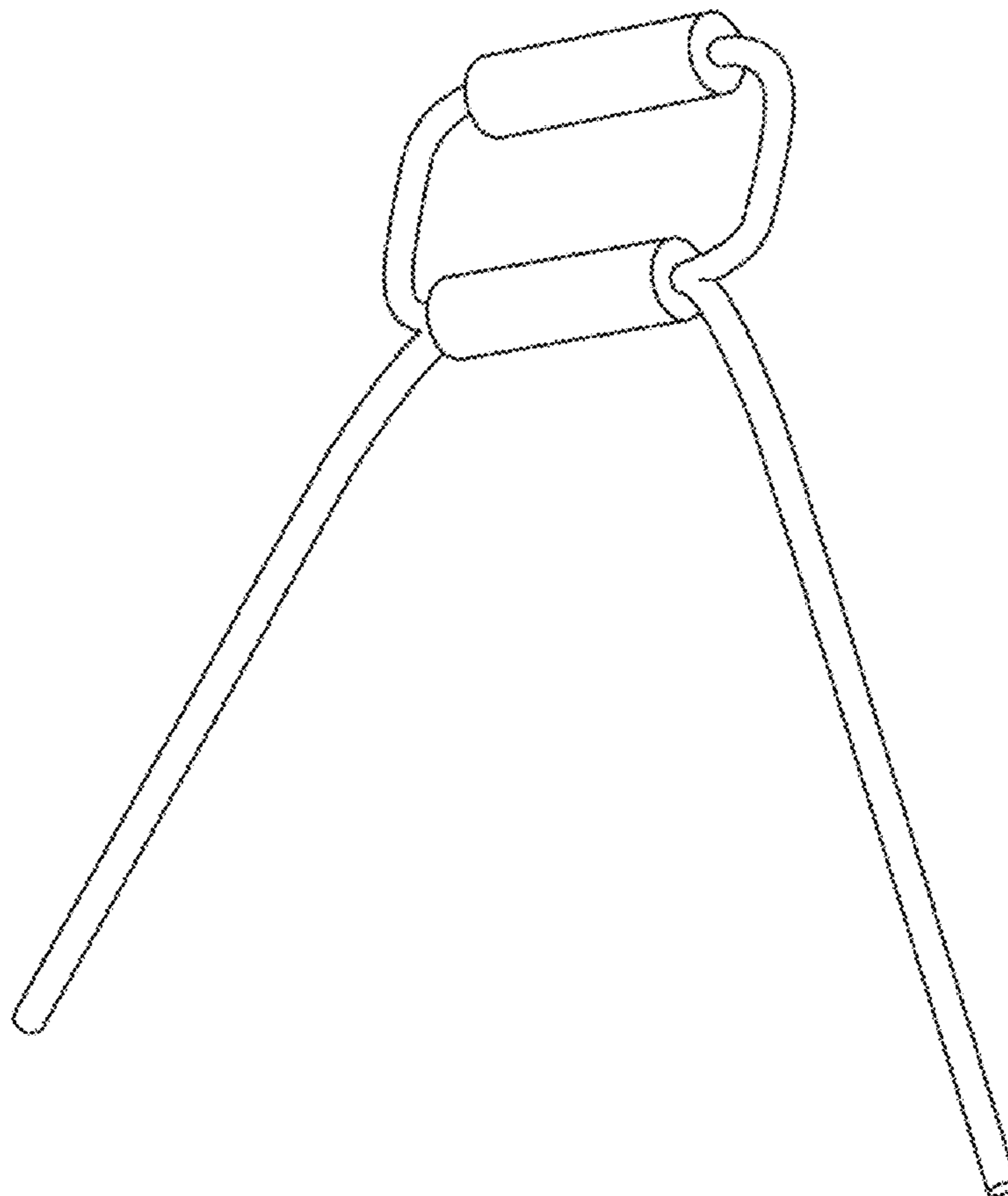
(56) **References Cited**  
U.S. PATENT DOCUMENTS  
D262,170 S \* 12/1981 Sultzbaugh ..... D6/681  
D344,868 S \* 3/1994 Martinell ..... D6/552  
D352,628 S \* 11/1994 James ..... D6/552  
D381,853 S \* 8/1997 Funcich ..... D6/552  
D588,851 S \* 3/2009 Morales ..... D6/552

\* cited by examiner  
*Primary Examiner* — Wan Laymon  
*Assistant Examiner* — Mark Booker

(57) **CLAIM**  
The ornamental design for a surfboard beach stand, as shown and described.

**DESCRIPTION**  
FIG. 1 is a perspective view of the surfboard beach stand. FIG. 2 is a front view of the surfboard beach stand. FIG. 3 is a rear view of the surfboard beach stand. FIG. 4 is a side view of the surfboard beach stand. FIG. 5 is a side view of the surfboard beach stand. FIG. 6 is a top view of the surfboard beach stand; and, FIG. 7 is a bottom view of the surfboard beach stand.

**1 Claim, 7 Drawing Sheets**



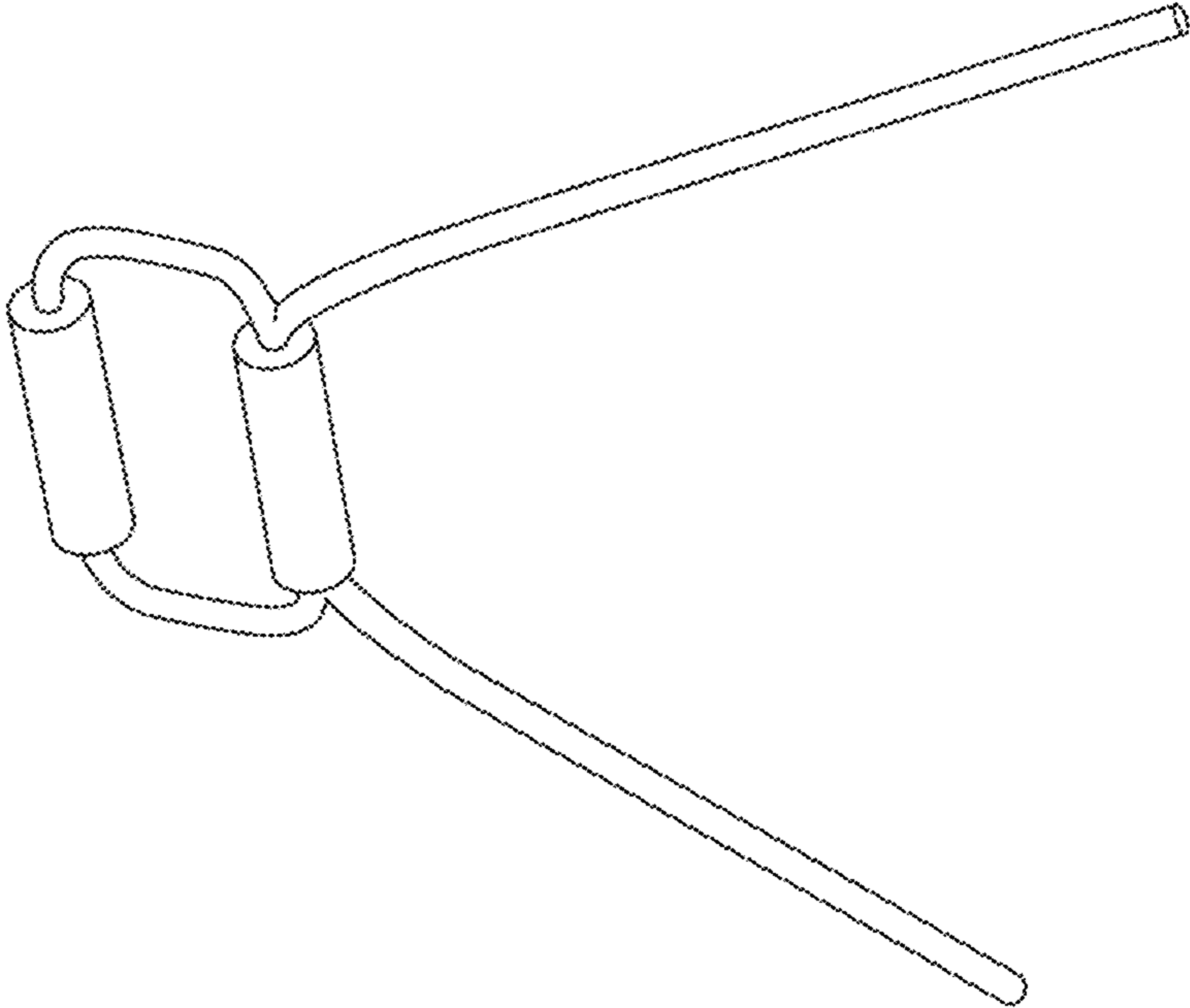


FIG. 1

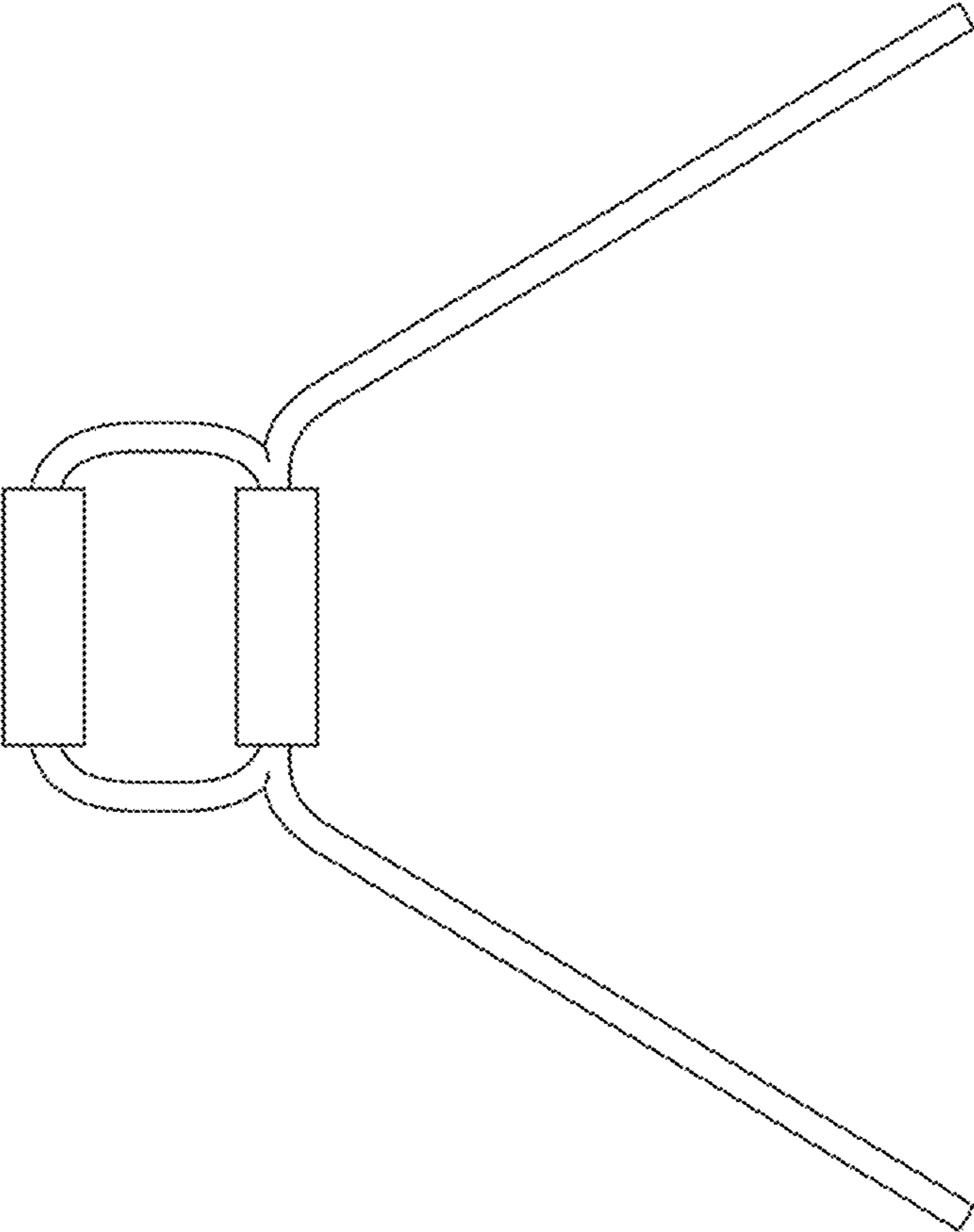


FIG. 2

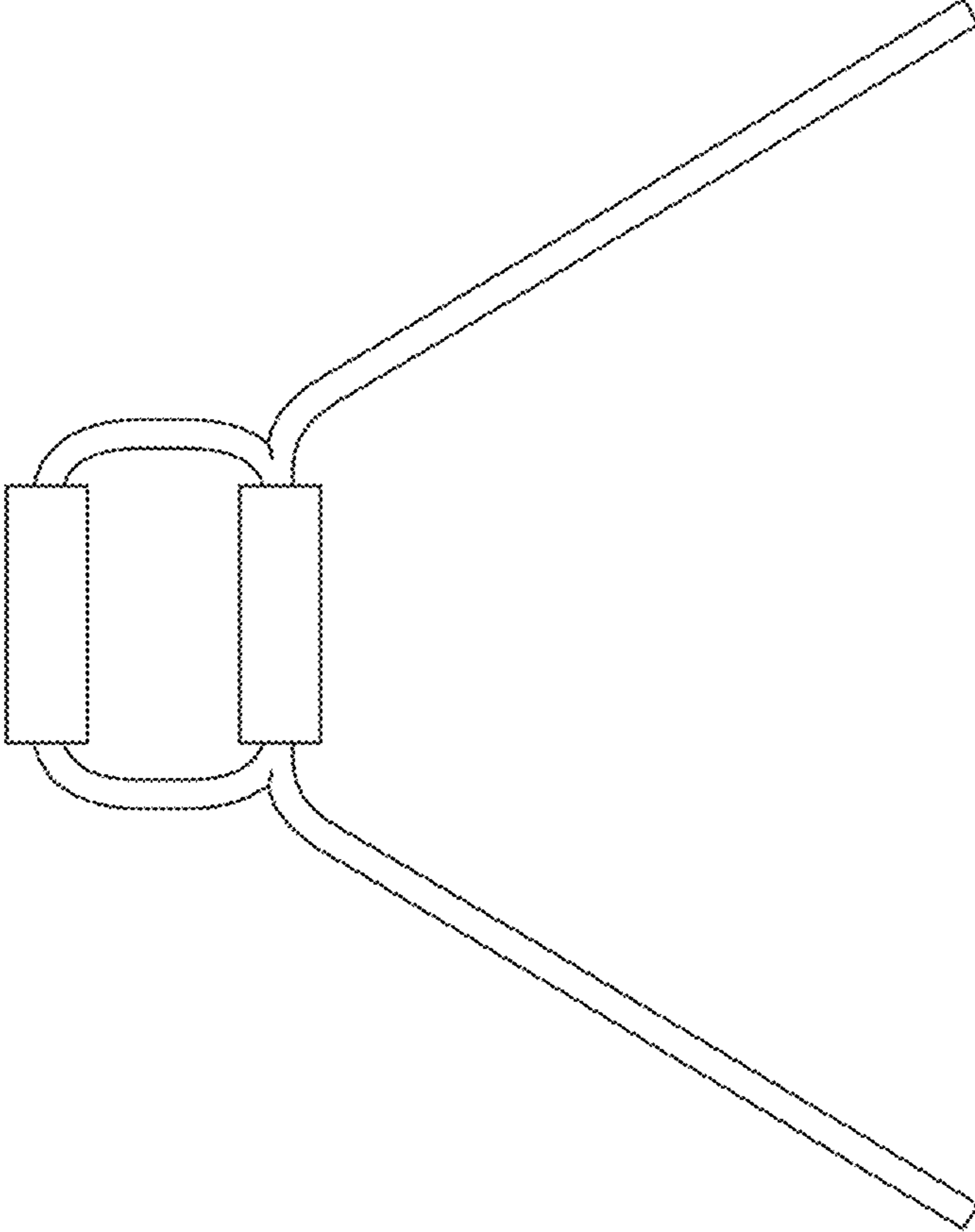


FIG. 3

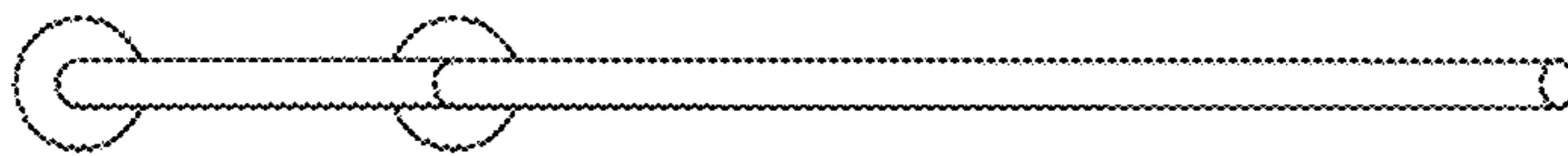


FIG. 4

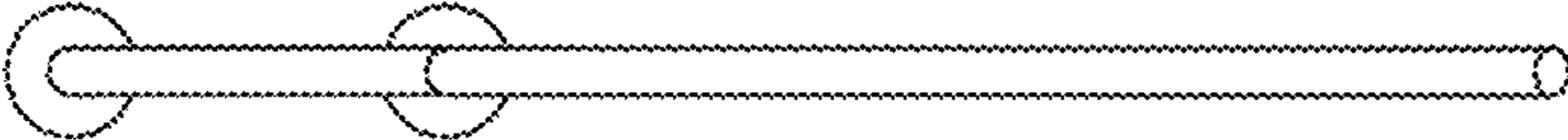


FIG. 5



FIG. 6



FIG. 7