



US00D786581S

(12) **United States Design Patent** (10) **Patent No.:** **US D786,581 S**  
**Lien** (45) **Date of Patent:** **\*\* May 16, 2017**

(54) **MU-RACK**  
(71) Applicant: **USA Sports, Inc.**, Houston, TX (US)  
(72) Inventor: **Louis Lien**, Bellaire, TX (US)  
(73) Assignee: **USA Sports, Inc.**, Houston, TX (US)  
(\*\*) Term: **15 Years**  
(21) Appl. No.: **29/552,980**  
(22) Filed: **Jan. 27, 2016**  
(51) **LOC (10) Cl.** ..... **21-02**  
(52) **U.S. Cl.**  
USPC ..... **D6/552**  
(58) **Field of Classification Search**  
USPC ..... D6/552, 566, 567, 572, 574, 672;  
D7/600.4; D21/662, 686, 691; 108/28,  
108/59, 91, 150; 206/315.91; 211/13.1,  
211/14, 85.23, 85.7; 248/309.1; 482/94,  
482/104; D12/408  
CPC .. A63B 71/0036; A63B 21/078; A47F 7/0028  
See application file for complete search history.

D663,676 S \* 7/2012 Loken ..... D12/408  
D681,380 S \* 5/2013 Lien ..... D6/552

\* cited by examiner

*Primary Examiner* — Wan Laymon  
*Assistant Examiner* — Mark Booker  
(74) *Attorney, Agent, or Firm* — Osha Liang LLP

(57) **CLAIM**

The ornamental design for a mu-rack, as shown and described.

**DESCRIPTION**

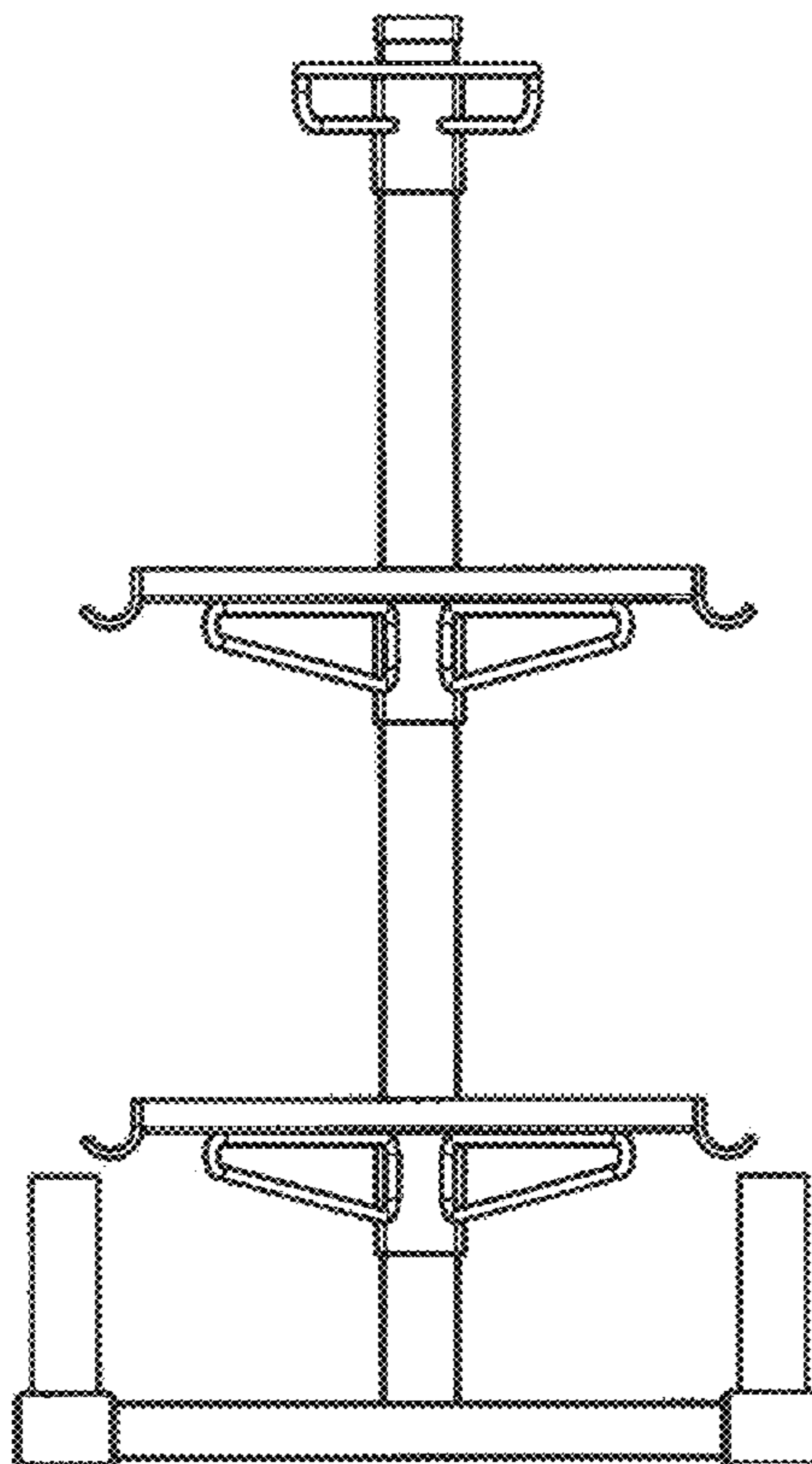
FIG. 1 is a front side view of the design according to the invention.  
FIG. 2 is a top view of the design according to the invention.  
FIG. 3 is a bottom view of the design according to the invention.  
FIG. 4 is a left side view of the design according to the invention.  
FIG. 5 is a right side view of the design according to the invention.  
FIG. 6 is a back side view of the design according to the invention.  
FIG. 7 is a perspective view of the design according to the invention; and,  
FIG. 8 is another perspective view of the design according to the invention.

(56) **References Cited**

U.S. PATENT DOCUMENTS

D555,961 S \* 11/2007 Lien ..... D6/552  
7,458,475 B2 \* 12/2008 Ho ..... A47G 7/041  
211/182

**1 Claim, 7 Drawing Sheets**



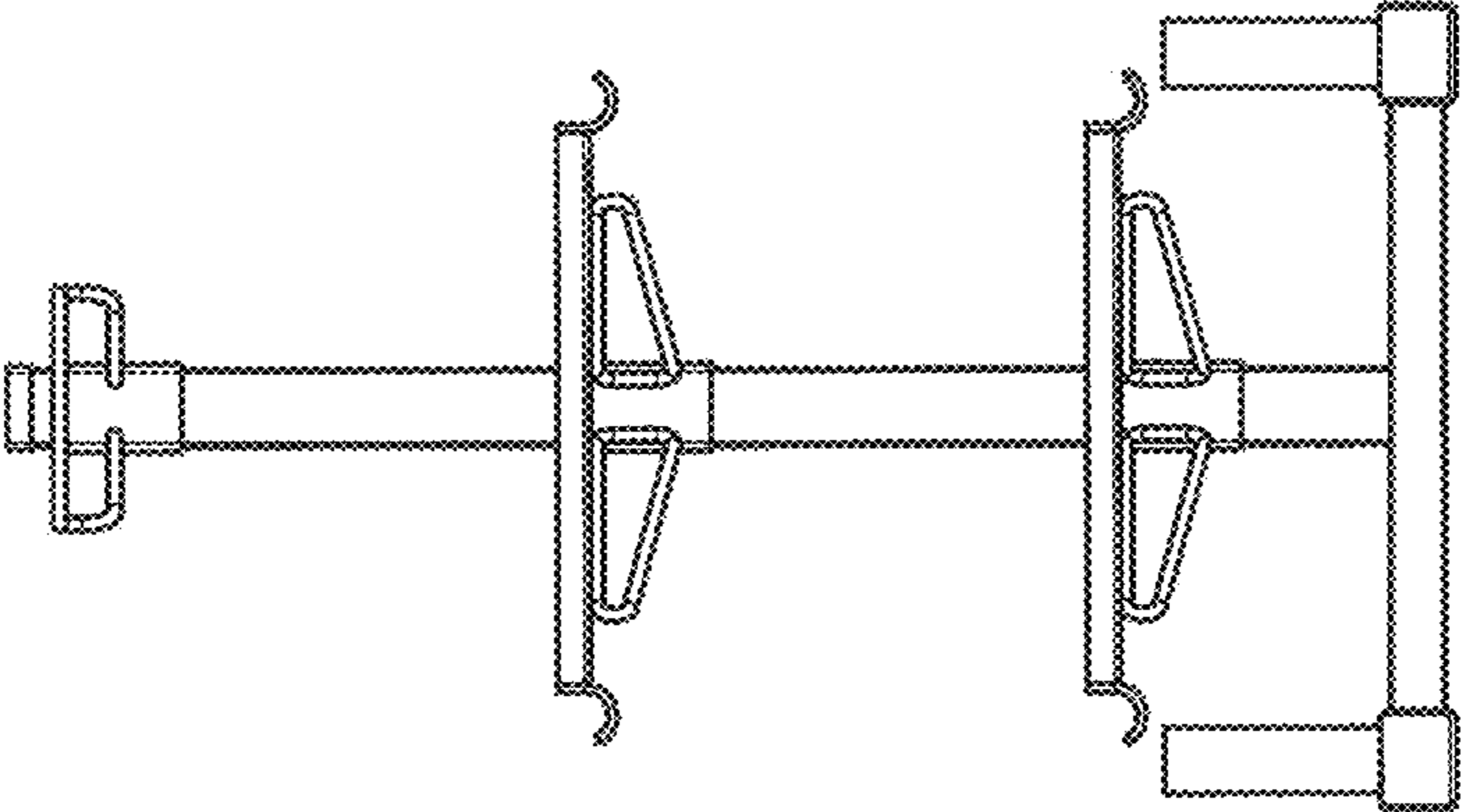


FIG. 1

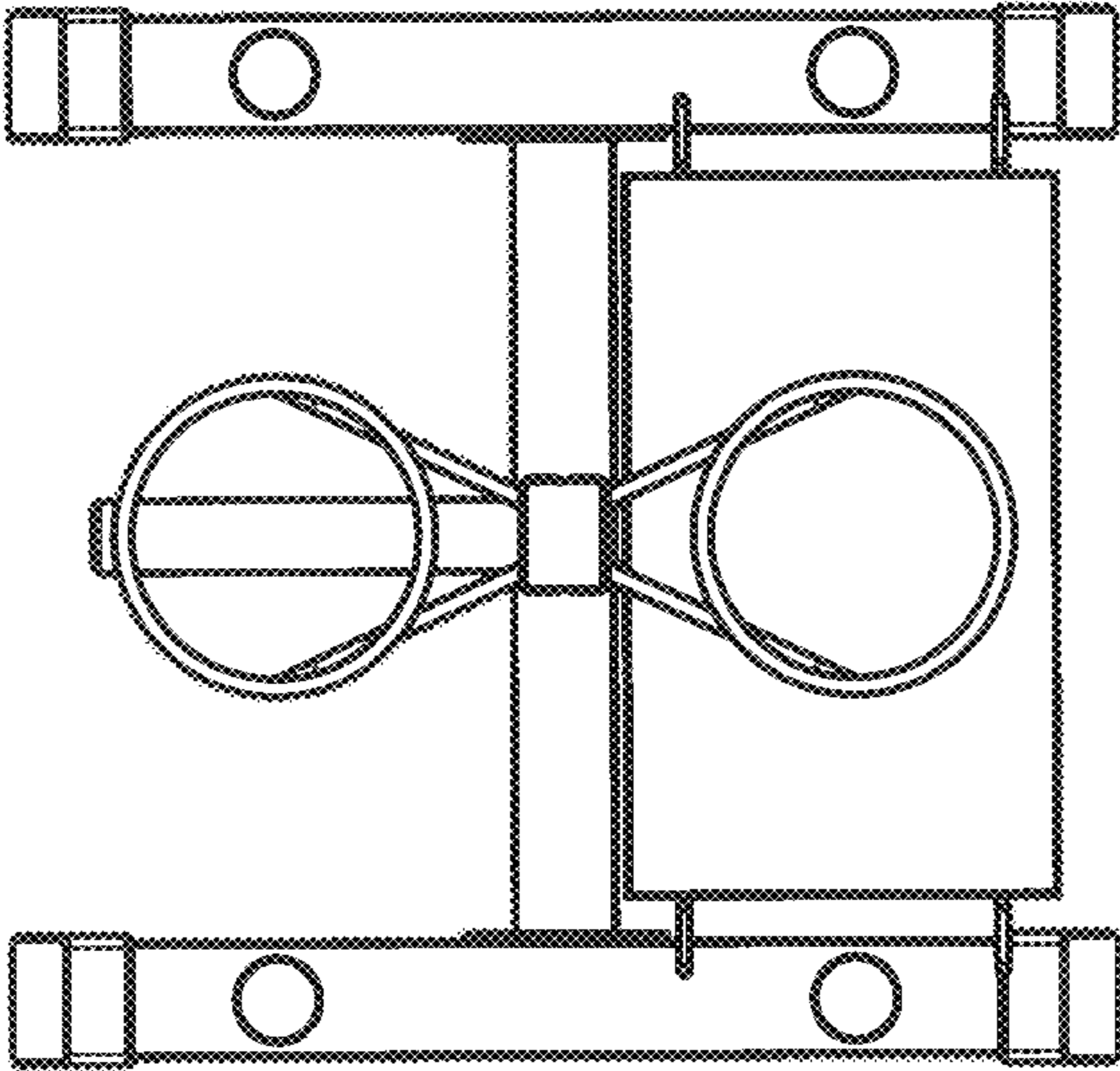


FIG. 2

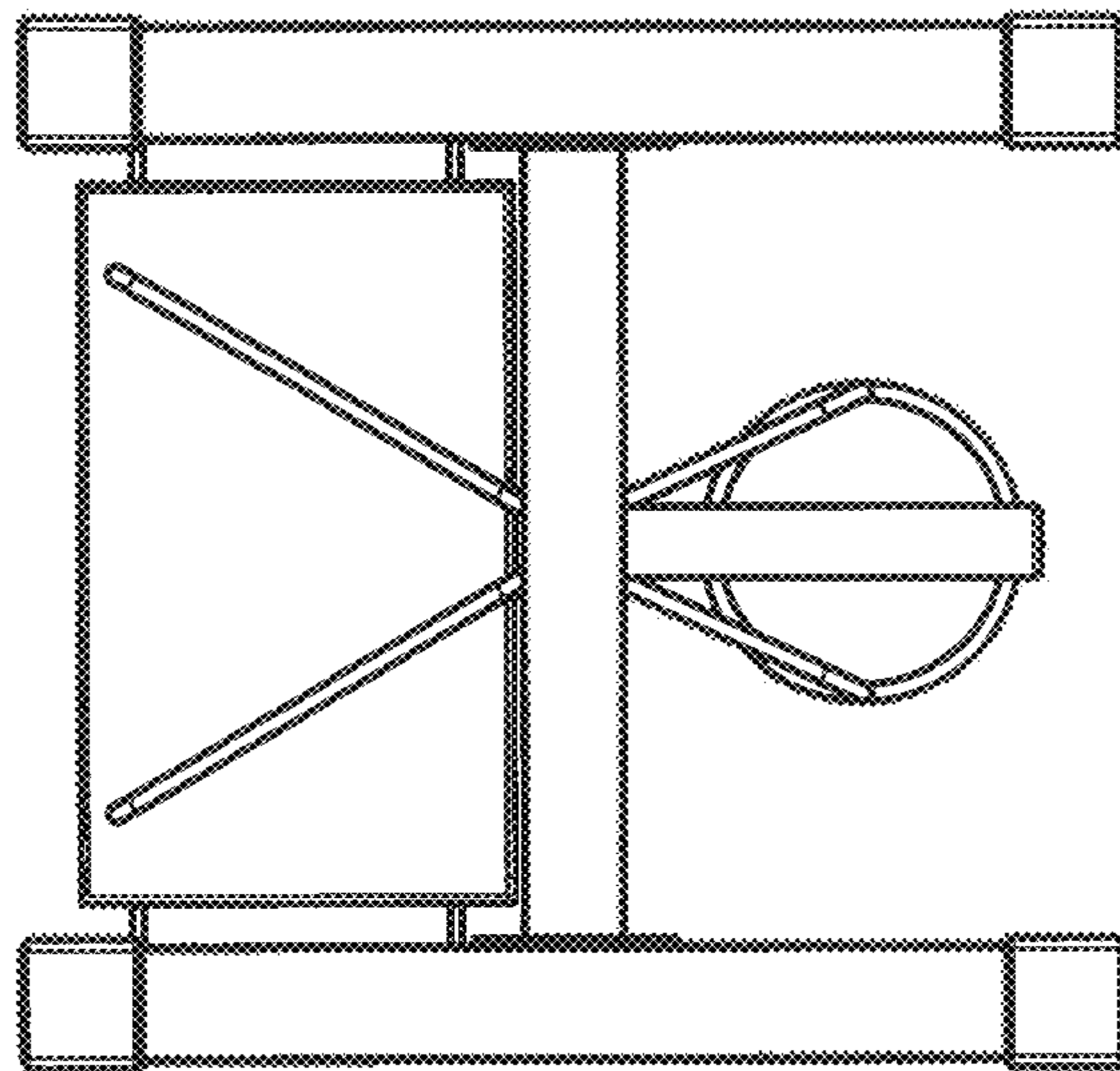


FIG. 3

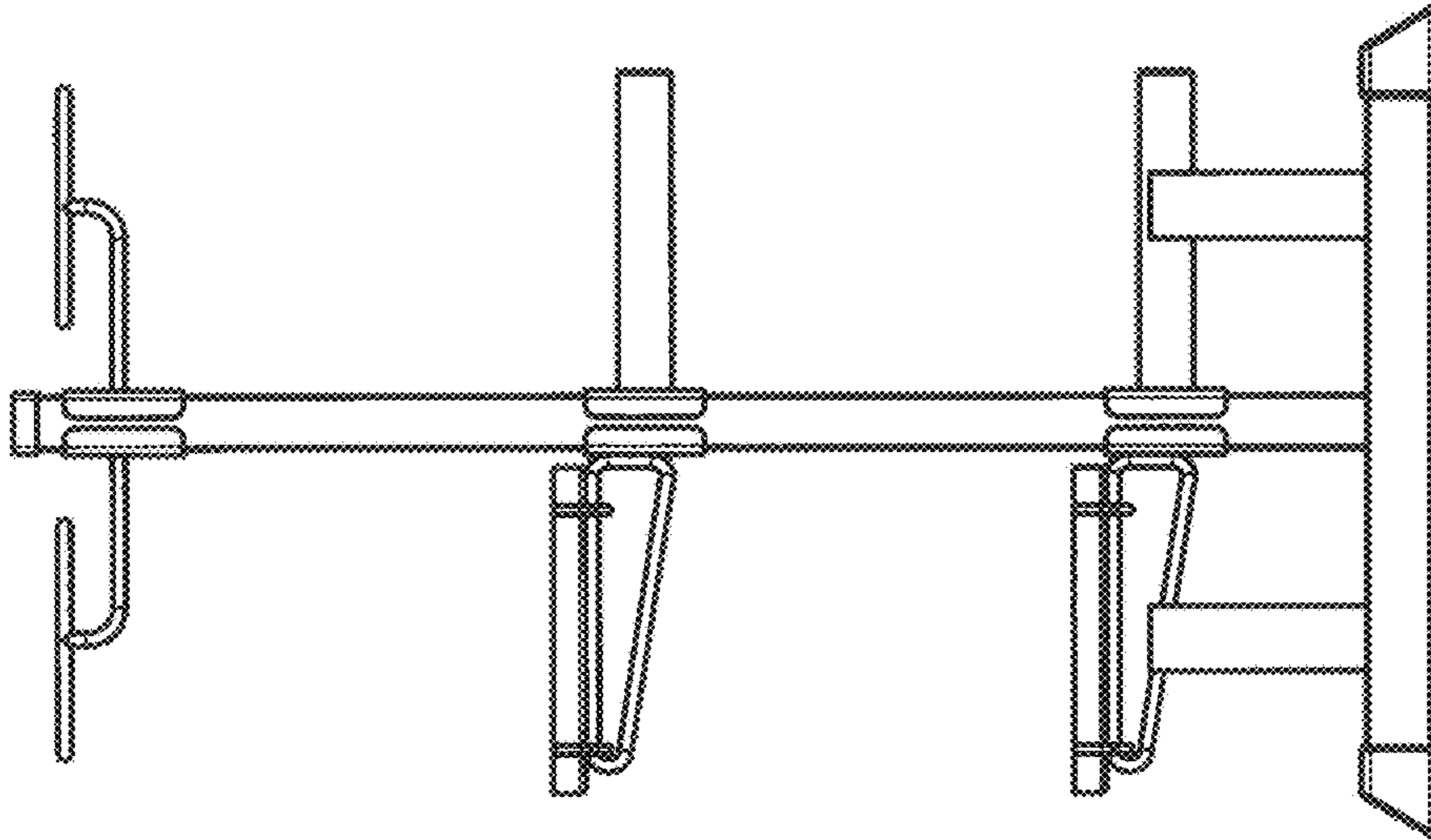


FIG. 4

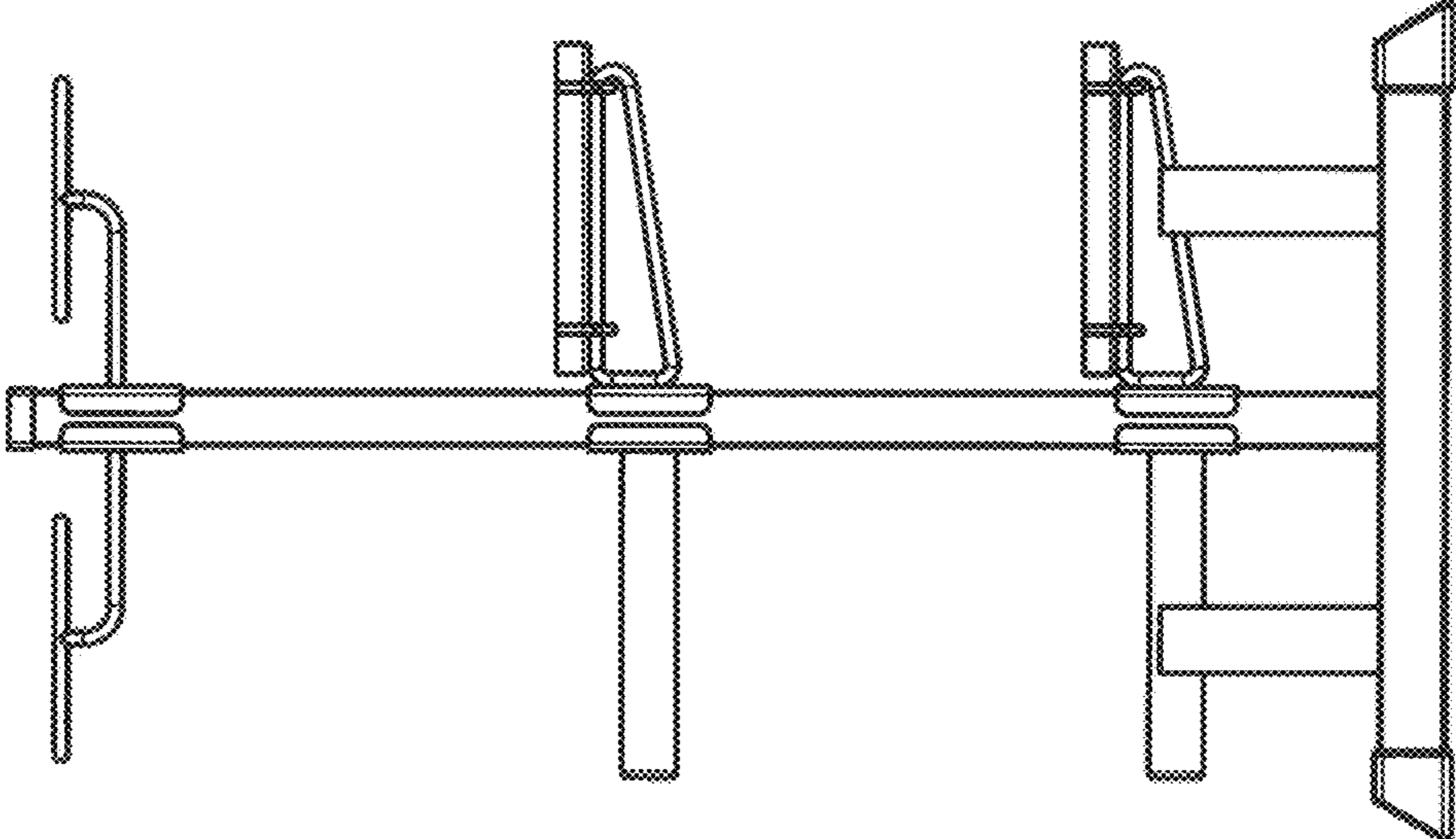


FIG. 5

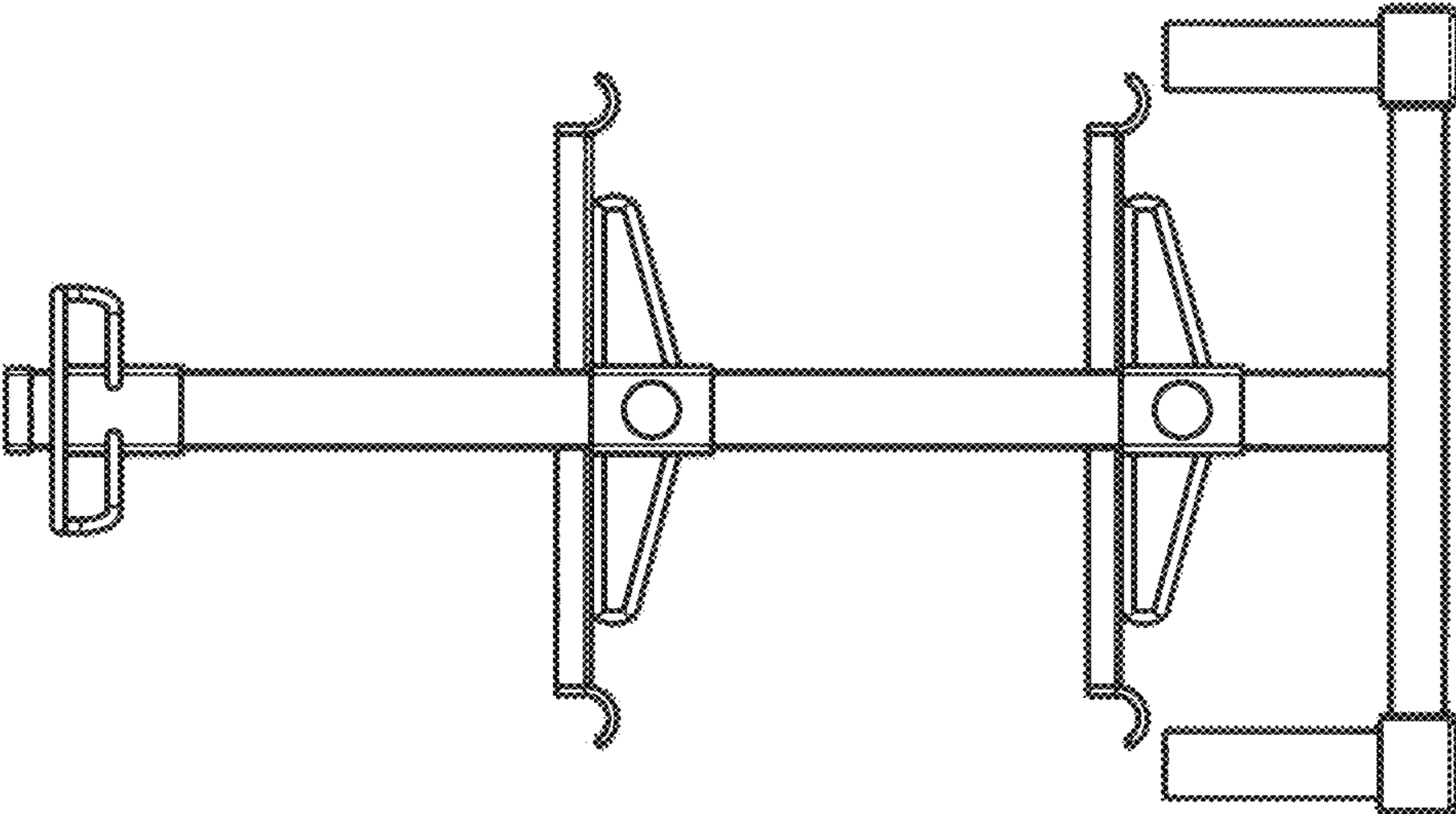


FIG. 6

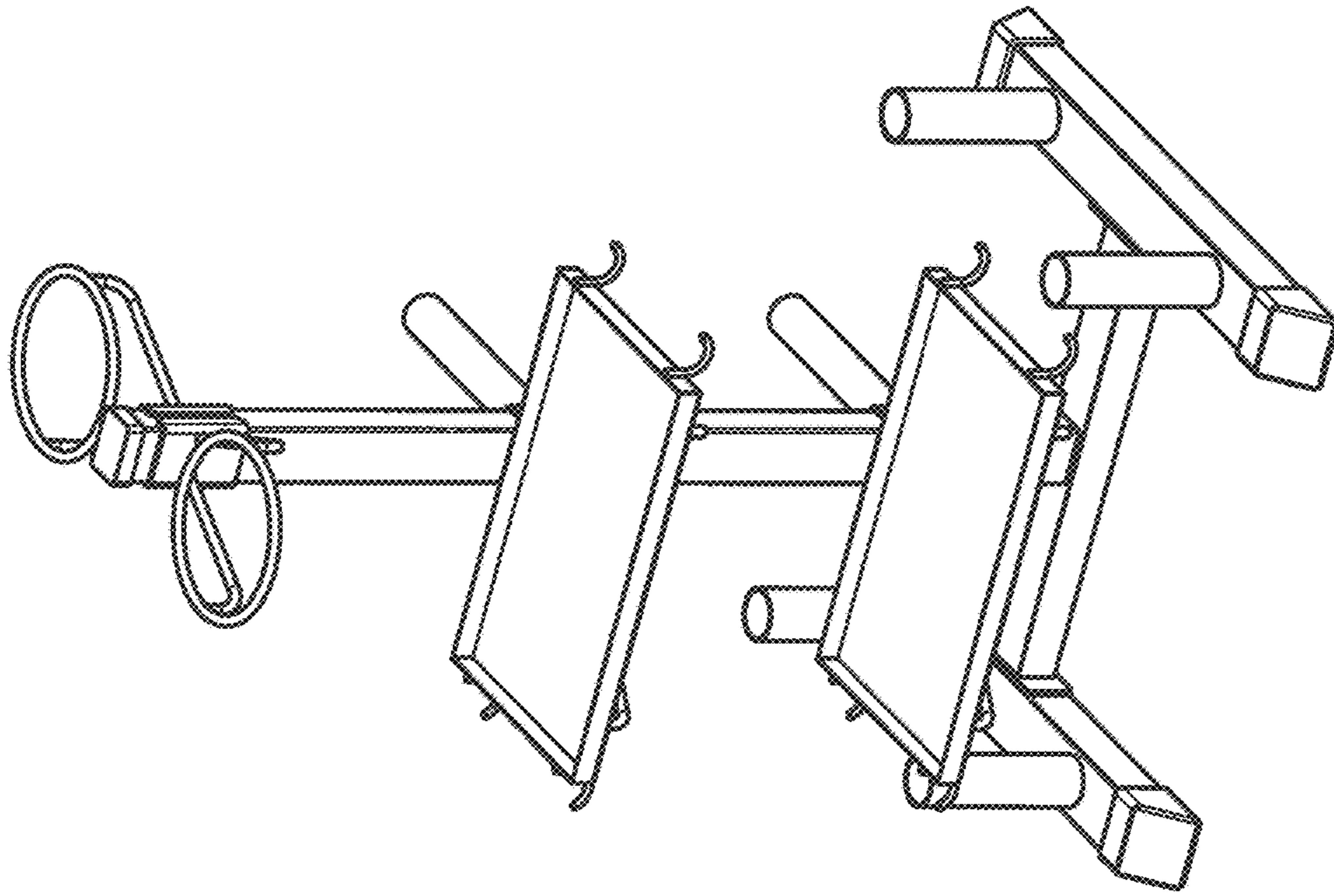


FIG. 8

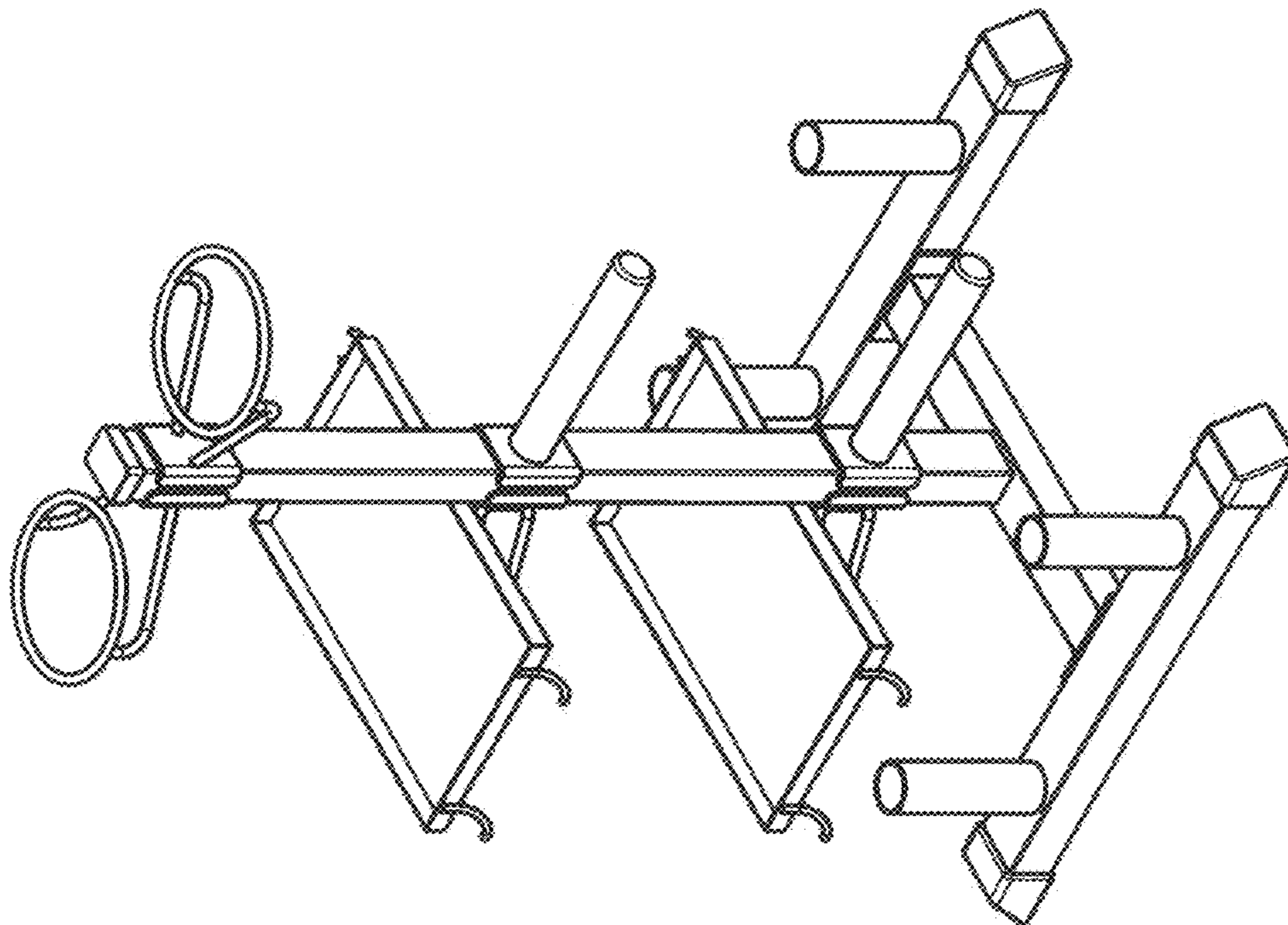


FIG. 7