



US00D786580S

(12) **United States Design Patent** (10) **Patent No.:** **US D786,580 S**
Chesterton (45) **Date of Patent:** **** May 16, 2017**

(54) **WHEELED BOARD AND ACCESSORIES RACK**

D458,789 S * 6/2002 Loika D6/552
D679,123 S * 4/2013 Evangelista D6/552
D751,372 S * 3/2016 Thompson D8/372

(71) Applicant: **TANAWAA LLC**, Chico, CA (US)
(72) Inventor: **Nicholas Chesterton**, Chico, CA (US)
(73) Assignee: **TANAWAA, LLC**, Parker, CO (US)
(**) Term: **15 Years**

* cited by examiner

Primary Examiner — Wan Laymon
Assistant Examiner — Mark Booker
(74) *Attorney, Agent, or Firm* — Porzio, Bromberg & Newman P.C.

(21) Appl. No.: **29/535,390**
(22) Filed: **Aug. 6, 2015**
(51) **LOC (10) Cl.** **13-03**
(52) **U.S. Cl.**
USPC **D6/552**
(58) **Field of Classification Search**
USPC D6/552, 512–514, 553, 567, 572;
D8/354, 363, 372; 211/13.1, 86.01,
211/87.01, 182, 205–207; 248/309.1
CPC A47F 7/00; A47F 5/0838; A63C 17/01;
A63C 17/0006; A63C 17/015; A63C
11/00; A63C 11/006; A63C 17/265; A47B
81/00; A47B 73/004; A47B 81/005; A47B
87/0215; A47B 96/061
See application file for complete search history.

(57) **CLAIM**

We claim, the ornamental design for a wheeled board and accessories rack, as shown and described.

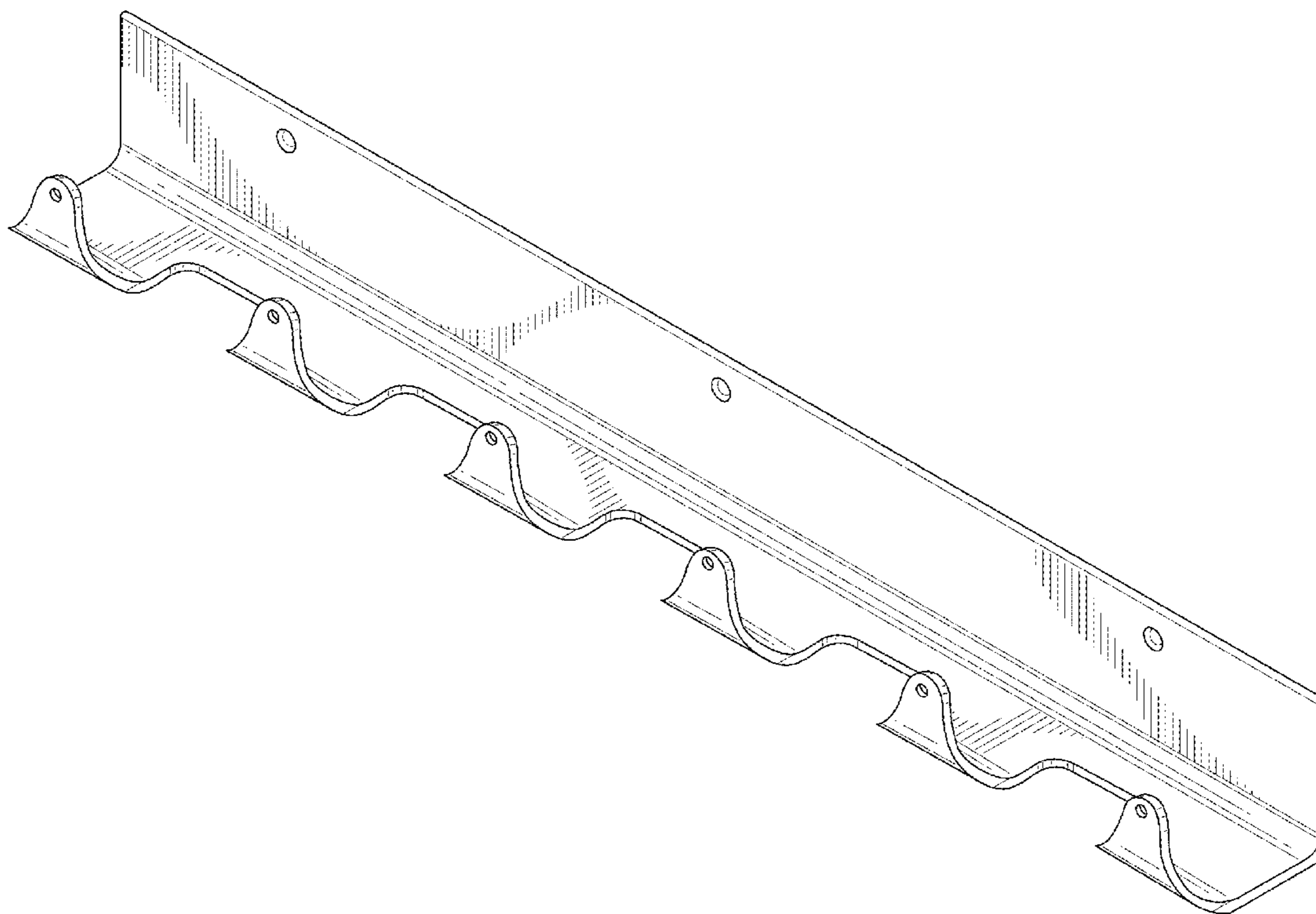
DESCRIPTION

FIG. 1 is a front perspective view, showing my new design; FIG. 2 is a front elevational view thereof; FIG. 3 is a rear view thereof; FIG. 4 is a right side view thereof; FIG. 5 is a left side view thereof; FIG. 6 is a top view thereof; and FIG. 7 is a bottom view thereof. FIG. 8 is a front perspective view, showing my new design; FIG. 9 is a front elevational view of FIG. 8; FIG. 10 is a rear view of FIG. 8; FIG. 11 is a right side view of FIG. 8; FIG. 12 is a left side view of FIG. 8; FIG. 13 is a top view of FIG. 8; and, FIG. 14 is a bottom view of FIG. 8.

(56) **References Cited**
U.S. PATENT DOCUMENTS

D353,294 S * 12/1994 Belokin D6/567
6,293,412 B1 * 9/2001 Draper E05B 73/00
211/4

1 Claim, 8 Drawing Sheets



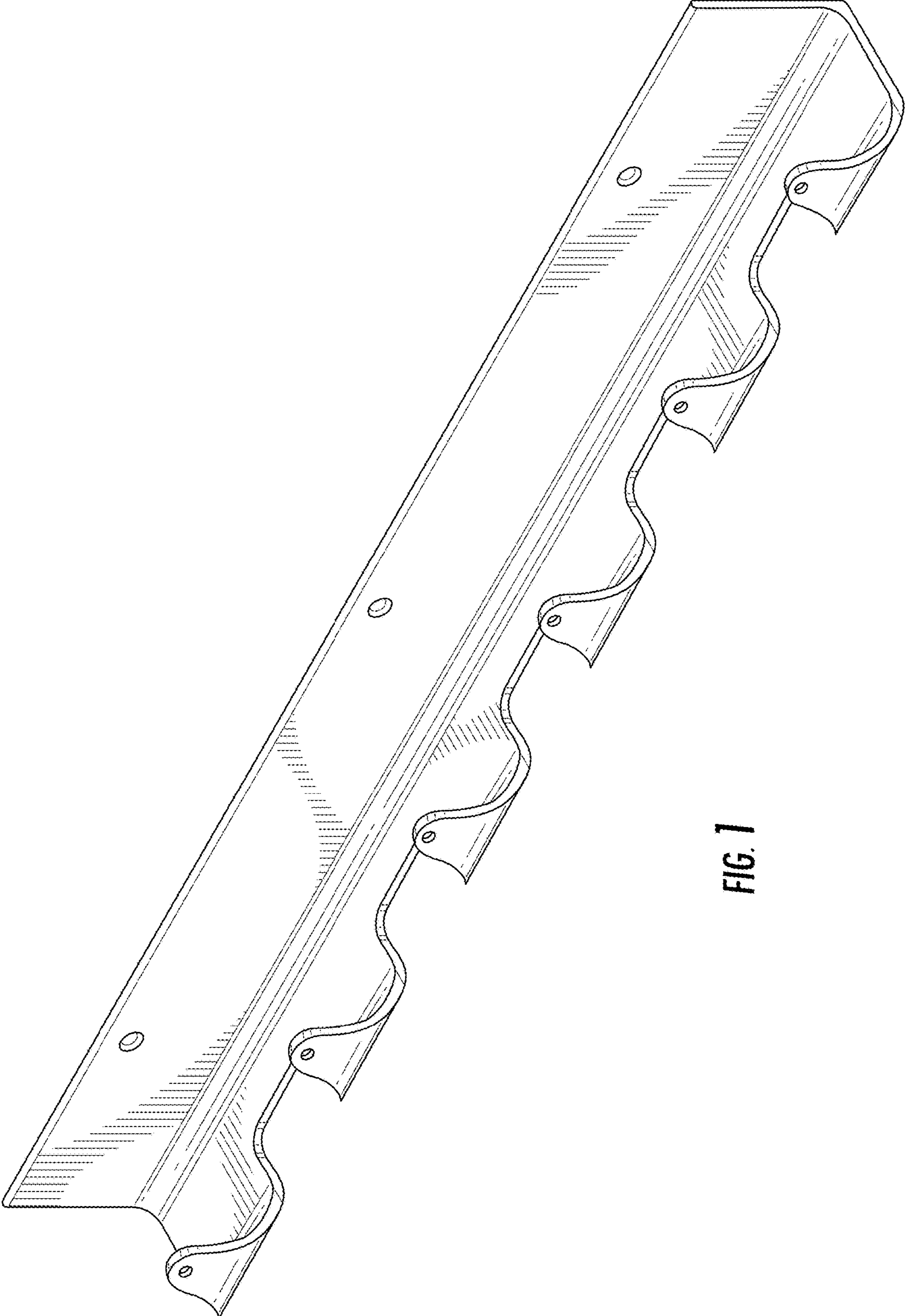


FIG. 1

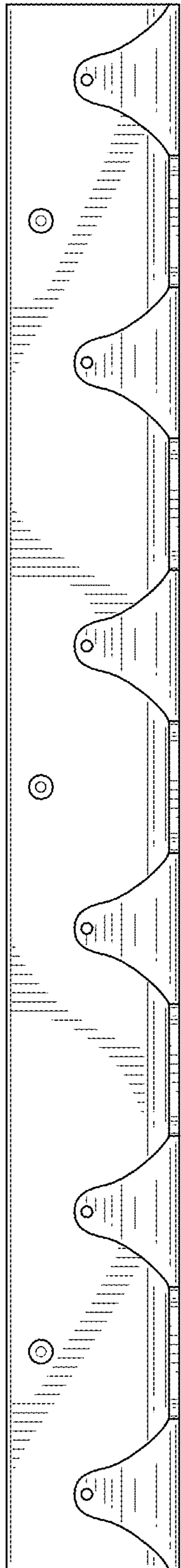


FIG. 2

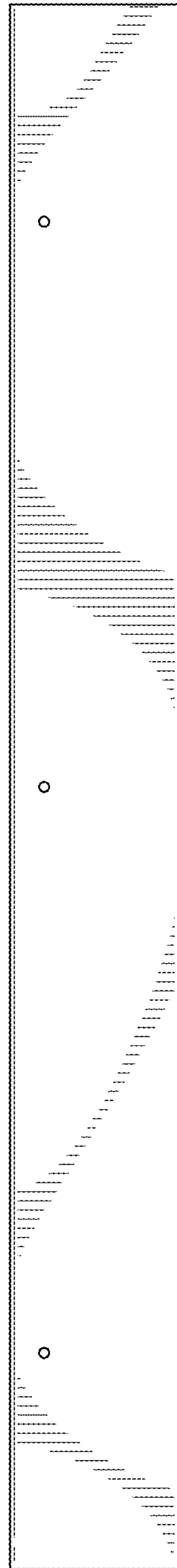


FIG. 3

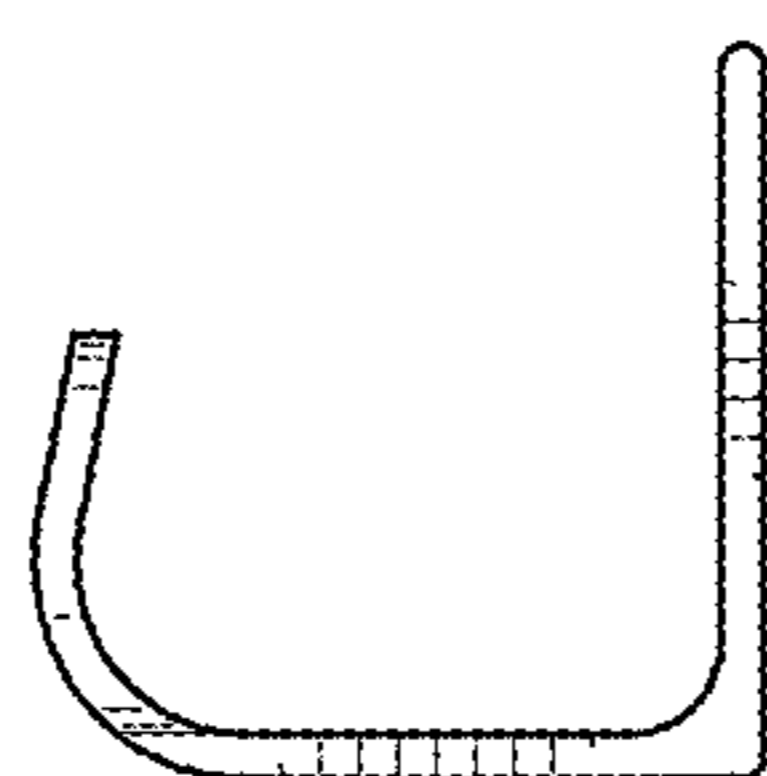


FIG. 4

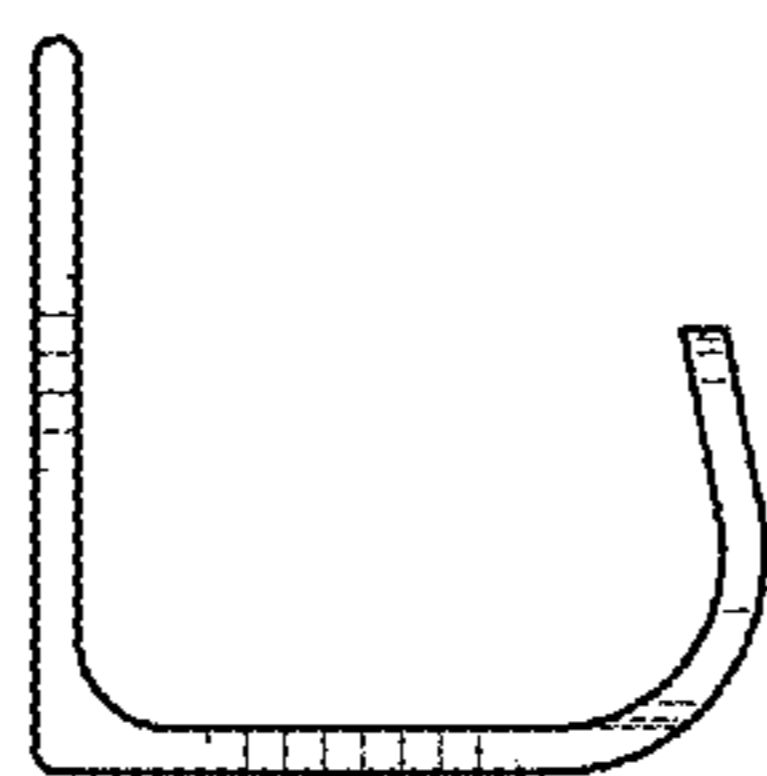


FIG. 5

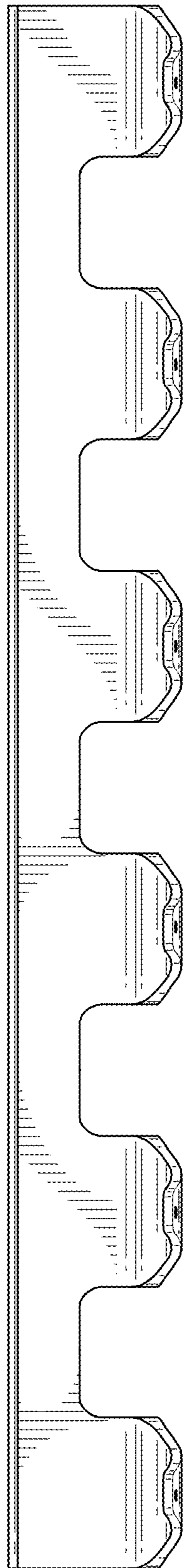


FIG. 6

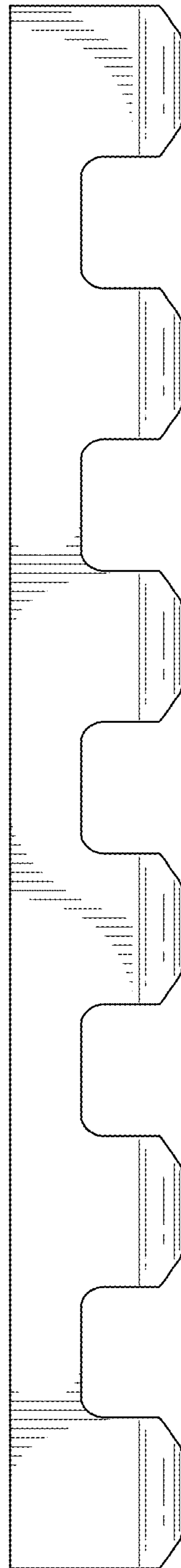


FIG. 7

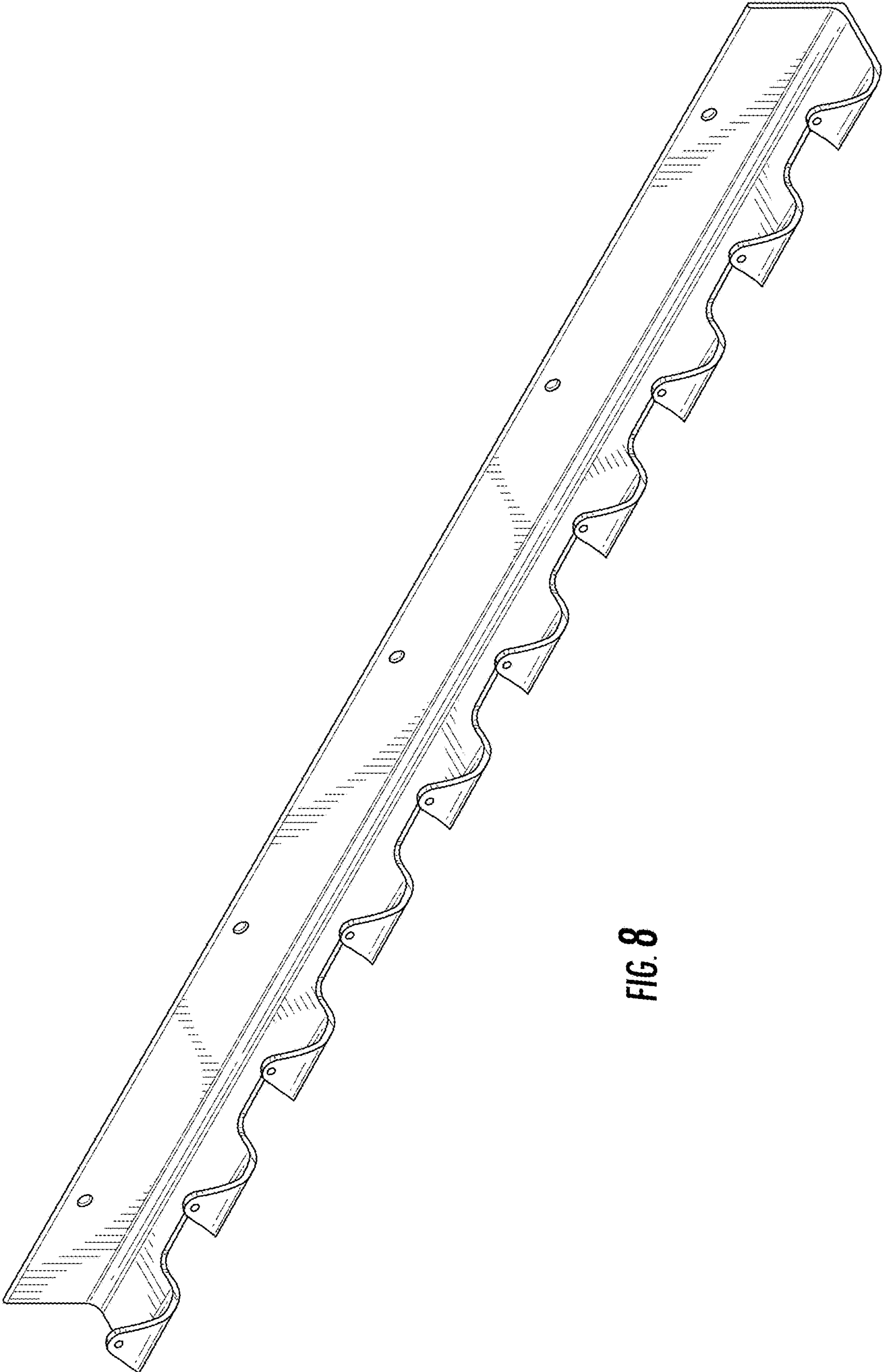


FIG. 8

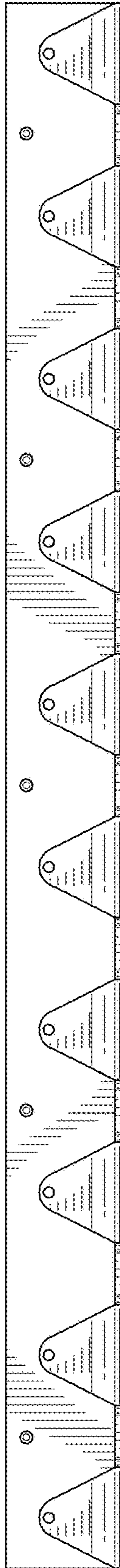


FIG. 9

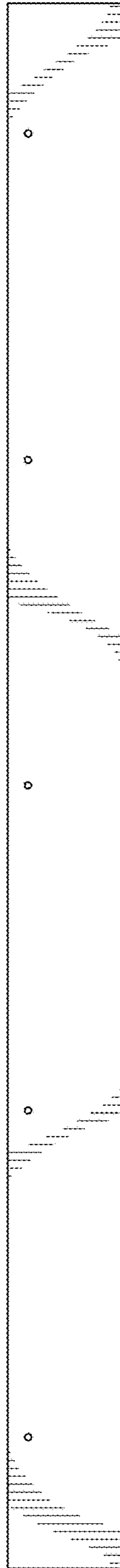


FIG. 10

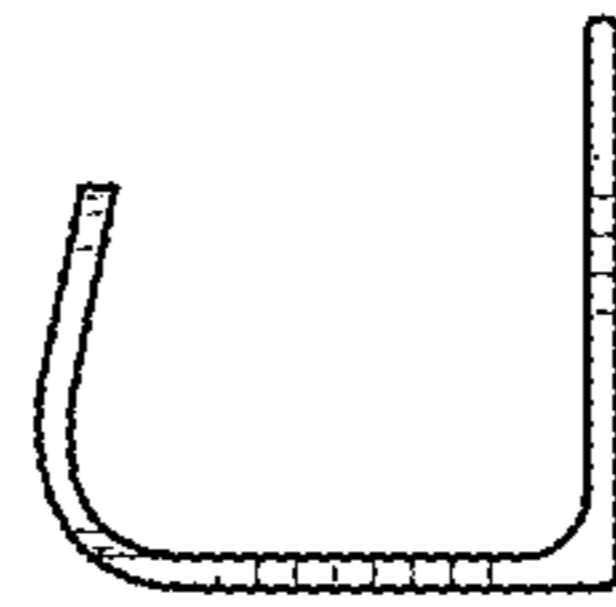


FIG. 11

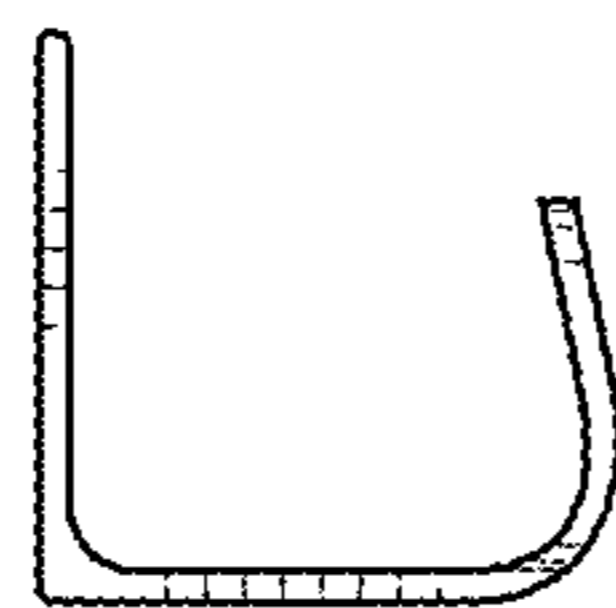


FIG. 12

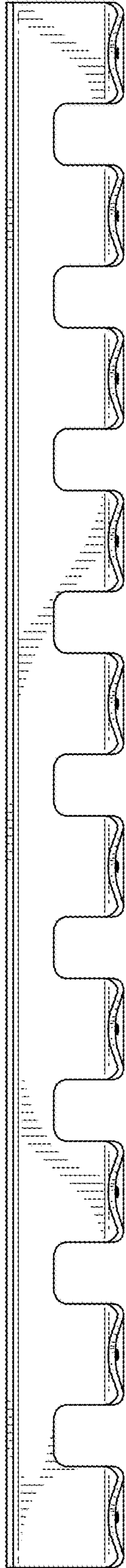


FIG. 13

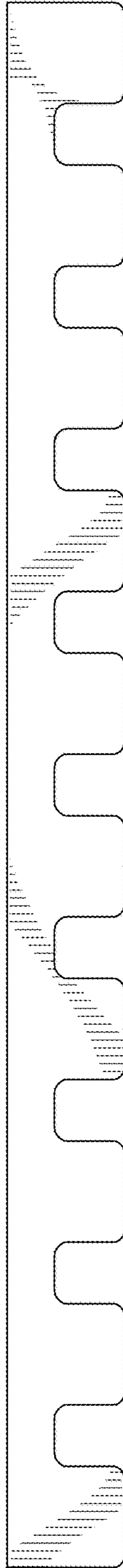


FIG. 14