



US00D786578S

(12) **United States Design Patent** (10) **Patent No.:** **US D786,578 S**
Eads (45) **Date of Patent:** **** May 16, 2017**

(54) **SOAP DISH TOWEL BAR**

(56) **References Cited**

(71) Applicant: **DELTA FAUCET COMPANY,**
Indianapolis, IN (US)

(72) Inventor: **Thad Eads,** North Manchester, IN (US)

(73) Assignee: **DELTA FAUCET COMPANY,**
Indianapolis, IN (US)

U.S. PATENT DOCUMENTS

D573,825 S *	7/2008	Rubin	D6/546
D573,826 S *	7/2008	Rubin	D6/546
D619,840 S *	7/2010	Davis	D6/527
D625,944 S *	10/2010	Yang	D6/542
D670,944 S *	11/2012	Cittadino	D6/548
D764,833 S *	8/2016	Citterio	D6/549

(**) Term: **15 Years**

* cited by examiner

(21) Appl. No.: **29/551,258**

Primary Examiner — Wan Laymon

(22) Filed: **Jan. 12, 2016**

Assistant Examiner — Mark Booker

(51) **LOC (10) Cl.** **06-04**

(74) *Attorney, Agent, or Firm* — Edgar A. Zarins; Nirav D. Parikh

(52) **U.S. Cl.**

USPC **D6/527**

(57) **CLAIM**

(58) **Field of Classification Search**

USPC D6/527, 512–517, 518–524, 546–550,
D6/574; D8/300, 315–321, 354, 363,
D8/370, 373, 380; D25/45; D26/64, 72,
D26/93, 94; 108/28–29; 211/13.1, 16,
211/85.5, 86.01, 87.01, 88.04, 100, 105.1,
211/105.2, 106, 113, 123, 181.1,
211/182–183; 242/570, 590, 595–598;
248/49, 175, 176.1, 200, 201, 205.1, 251,
248/302, 309.1, 315

CPC A47K 10/3836; A47K 10/38; A47K 10/10;
A47K 10/04; A47K 2201/02; A47K
2201/00; Y10S 16/40; Y10S 16/41; Y10T
16/458; Y10T 16/462; Y10T 16/513

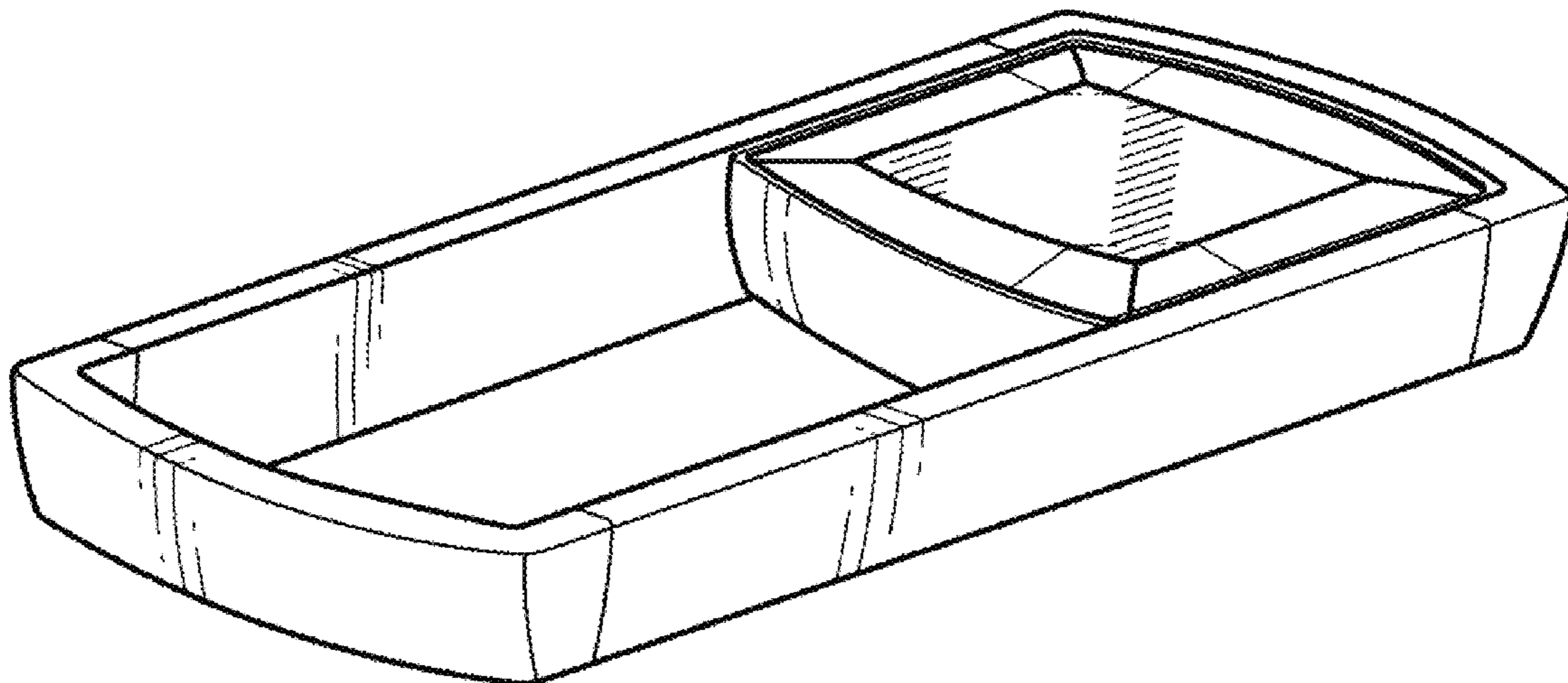
See application file for complete search history.

The ornamental design for a soap dish towel bar, as shown and described.

DESCRIPTION

FIG. 1 is a perspective view of a soap dish towel bar showing my new design;
 FIG. 2 is a top plan view thereof;
 FIG. 3 is a bottom view thereof;
 FIG. 4 is a first end view thereof, the opposite end being a mirror image of the end shown; and,
 FIG. 5 is a front elevational view thereof.

1 Claim, 1 Drawing Sheet



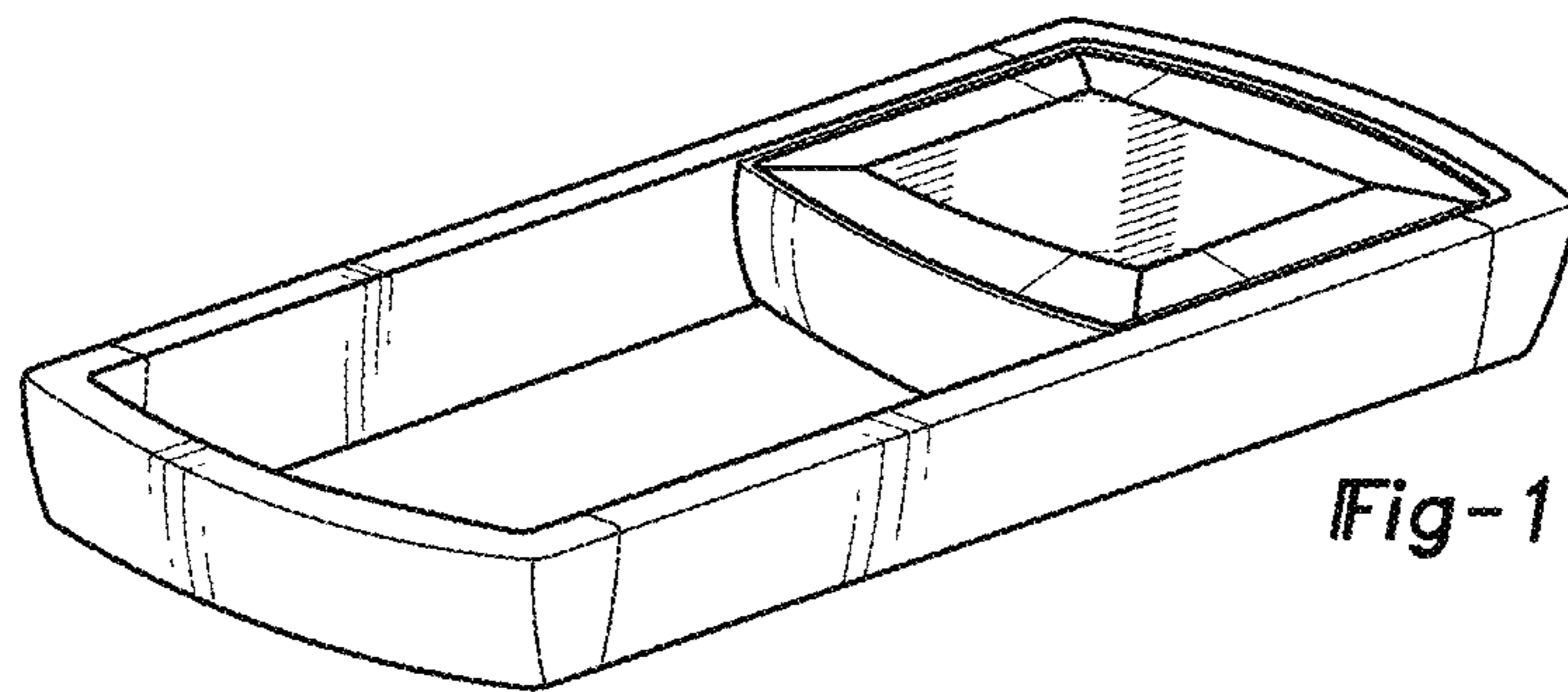


Fig-1

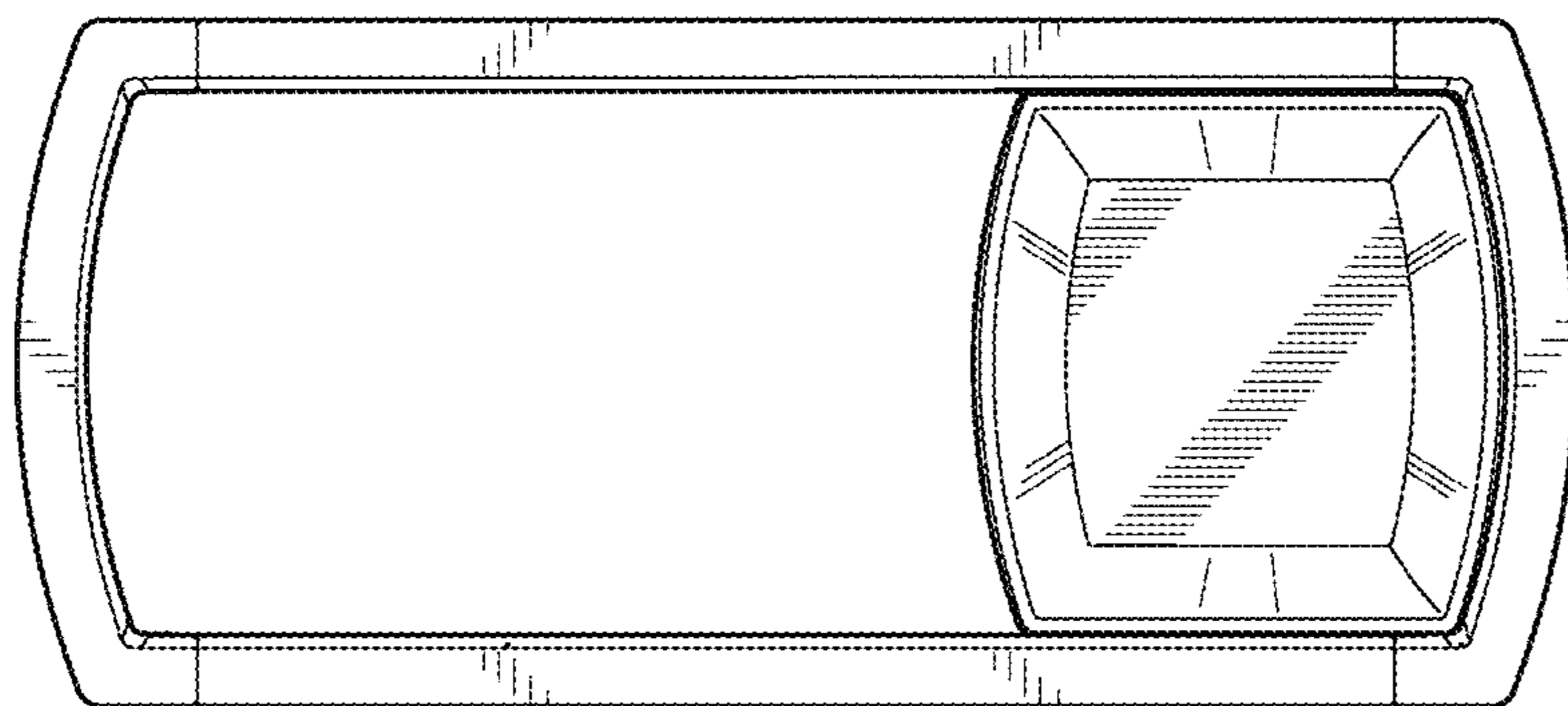


Fig-2

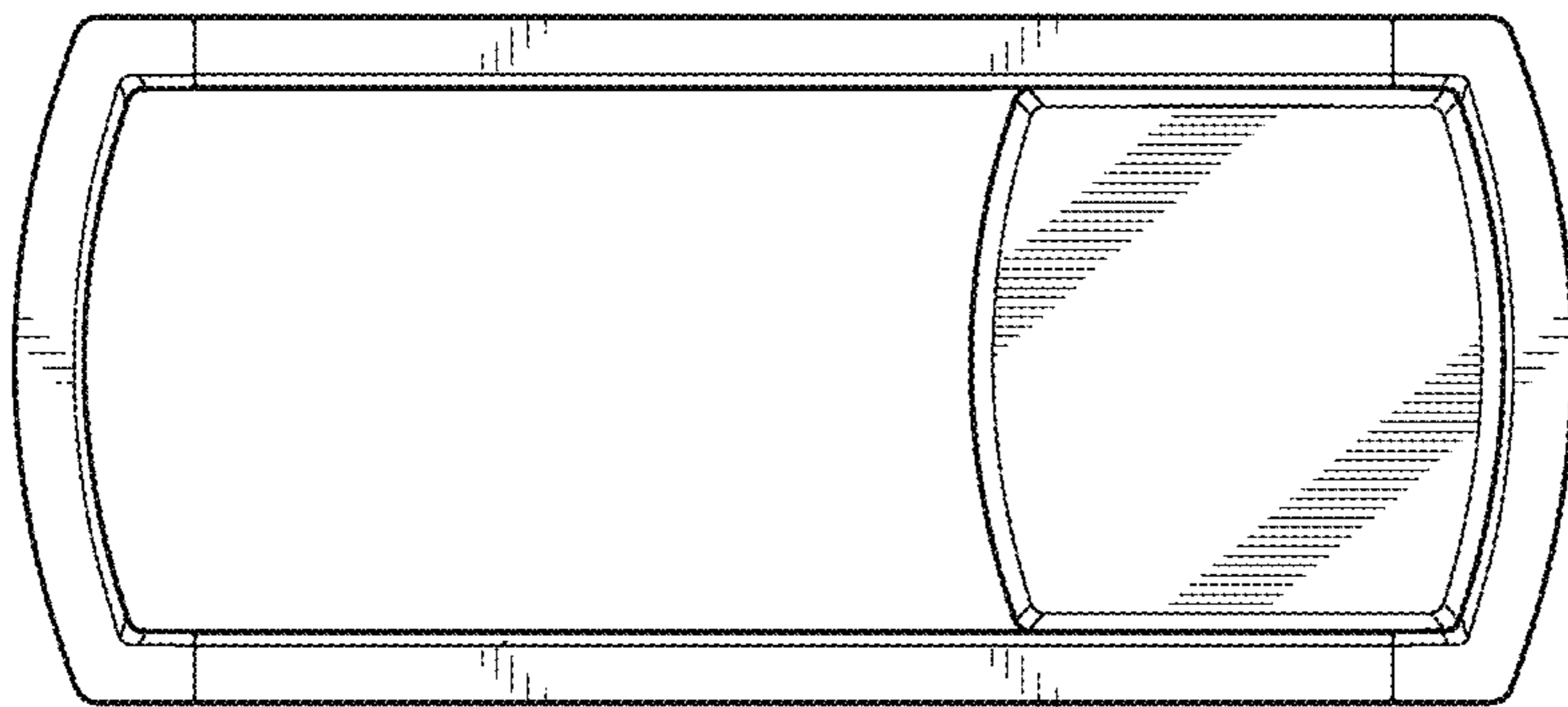


Fig-3



Fig-4

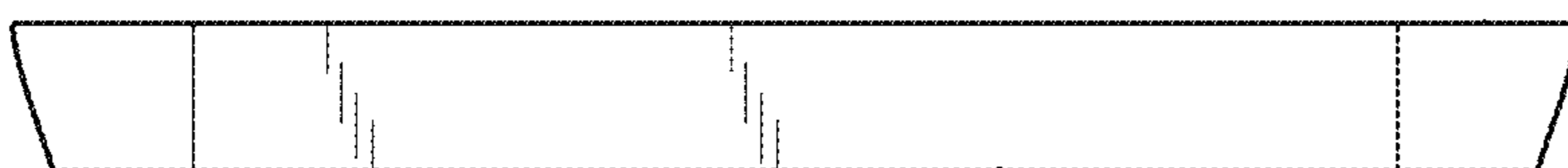


Fig-5