



US00D786577S

(12) **United States Design Patent** (10) **Patent No.:** **US D786,577 S**
Czach et al. (45) **Date of Patent:** **** May 16, 2017**

(54) **HOSPITAL BASSINET**

(71) Applicant: **Stryker Corporation**, Kalamazoo, MI (US)

(72) Inventors: **Matthew Gregory Czach**, Kalamazoo, MI (US); **Bryce Kelly Porter**, Grand Rapids, MI (US)

(73) Assignee: **Stryker Corporation**, Kalamazoo, MI (US)

(**) Term: **14 Years**

(21) Appl. No.: **29/516,083**

(22) Filed: **Jan. 29, 2015**

Related U.S. Application Data

(63) Continuation of application No. 14/256,013, filed on Apr. 18, 2014.

(51) **LOC (10) Cl.** **06-01**

(52) **U.S. Cl.**
USPC **D6/390**

(58) **Field of Classification Search**

USPC D6/360, 691, 691.1, 691.2, 691.6, 641, D6/691.3, 691.4, 656.15, 656, 688.1, 688, D6/698, 390, 382, 692, 692.4, 691.8, 686, D6/353, 688.27, 708.1, 692.2, 692.3, 657, D6/672, 685, 707.19, 691.9, 701, 707, D6/707.23, 644, 656.19; D15/199; D24/143, 171, 183-185, 188, 190-191, D24/200; D25/63

CPC ... A61B 8/40; A61B 19/203; A61B 2017/681; A61B 5/702; A61B 5/704; A61B 5/706; A61B 5/708; A61B 6/04; A61B 5/150748; A47C 20/027; A47C 20/025; A47G 9/10; A47G 2009/1018; A61G 13/0036; A61F 5/04

See application file for complete search history.

(56) **References Cited**

U.S. PATENT DOCUMENTS

D93,203 S *	9/1934	Burst	D21/520
D136,011 S *	7/1943	Doty	5/655
2,475,775 A *	7/1949	Boren	A47D 9/00 220/665
D183,345 S *	8/1958	Gottlieb	D34/19
D250,584 S *	12/1978	Oye	D24/185
4,628,553 A	12/1986	Buttitta et al.	
4,819,282 A	4/1989	McArthur et al.	
D357,781 S *	4/1995	Crinion	D34/17
D373,489 S *	9/1996	Tabbia	D6/668.1
5,845,590 A	12/1998	Seidl	
D407,233 S *	3/1999	Naas	D34/20
5,898,817 A	4/1999	Salmon et al.	

(Continued)

FOREIGN PATENT DOCUMENTS

CN 201005349 1/2008

Primary Examiner — Mary Ann Calabrese

Assistant Examiner — Sloan Rozin

(74) *Attorney, Agent, or Firm* — Warner Norcross & Judd LLP

(57) **CLAIM**

We claim the ornamental design for a hospital bassinet, as shown and described.

DESCRIPTION

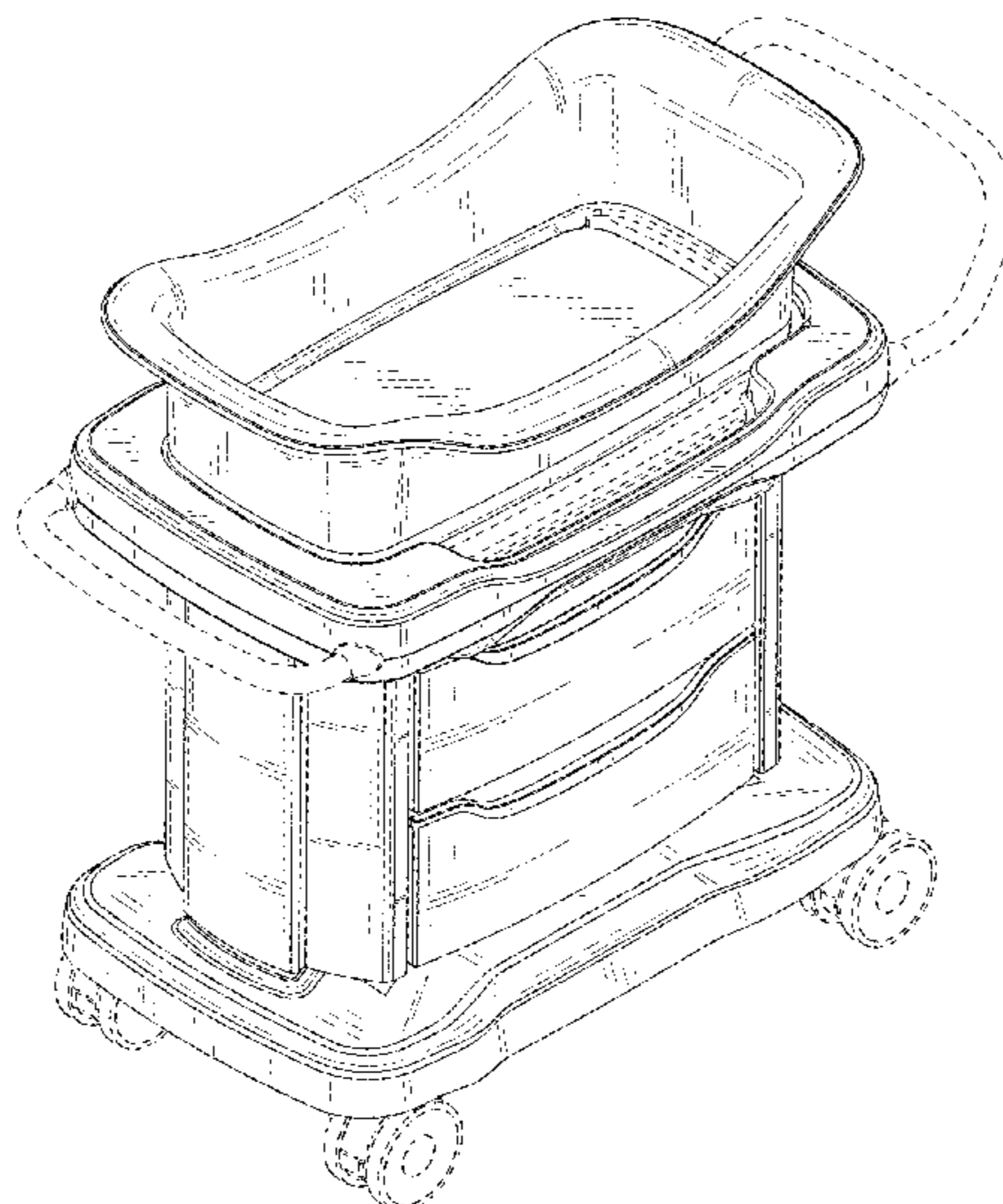
FIG. 1 is a front perspective view of a hospital bassinet of the present disclosure, a rear perspective view of the hospital bassinet is a mirror image of this illustrated view;

FIG. 2 is a front elevational view thereof, a rear elevational view is a mirror image of this illustrated view; and,

FIG. 3 is a side view thereof.

The broken line showing of elements on the hospital bassinet illustrate portions of the article and form no part of the claimed design.

1 Claim, 3 Drawing Sheets



(56)

References Cited

U.S. PATENT DOCUMENTS

6,129,703 A * 10/2000 Beneke A61J 9/06
604/77
6,231,499 B1 5/2001 Jones
6,471,634 B1 10/2002 Dykes et al.
6,611,978 B1 9/2003 Schmidt et al.
6,659,935 B2 12/2003 Costanzo
6,682,030 B2 1/2004 Santoro et al.
6,711,937 B2 3/2004 Richards et al.
6,880,188 B1 4/2005 Schmidt et al.
6,926,663 B2 8/2005 Costanzo
7,311,657 B2 12/2007 Boone et al.
D612,629 S * 3/2010 Gower D6/390
D643,645 S * 8/2011 Davis D6/390
8,429,771 B2 4/2013 Long
D713,537 S * 9/2014 Ben-Haim D24/200
D754,987 S * 5/2016 Davis D6/390
2009/0211022 A1 8/2009 Harding
2014/0310870 A1* 10/2014 Czach A47D 9/00
5/11

* cited by examiner

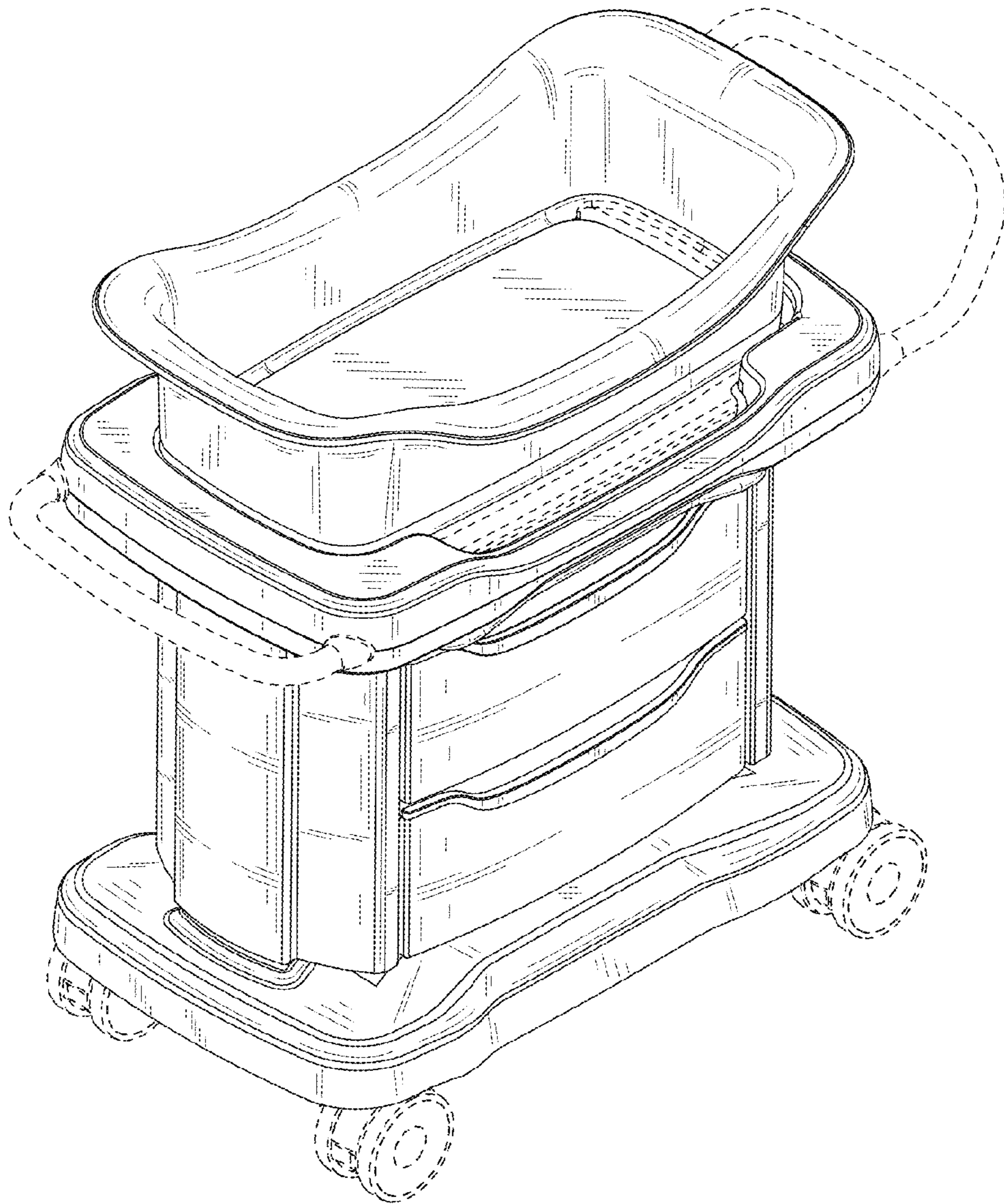


FIG. 1

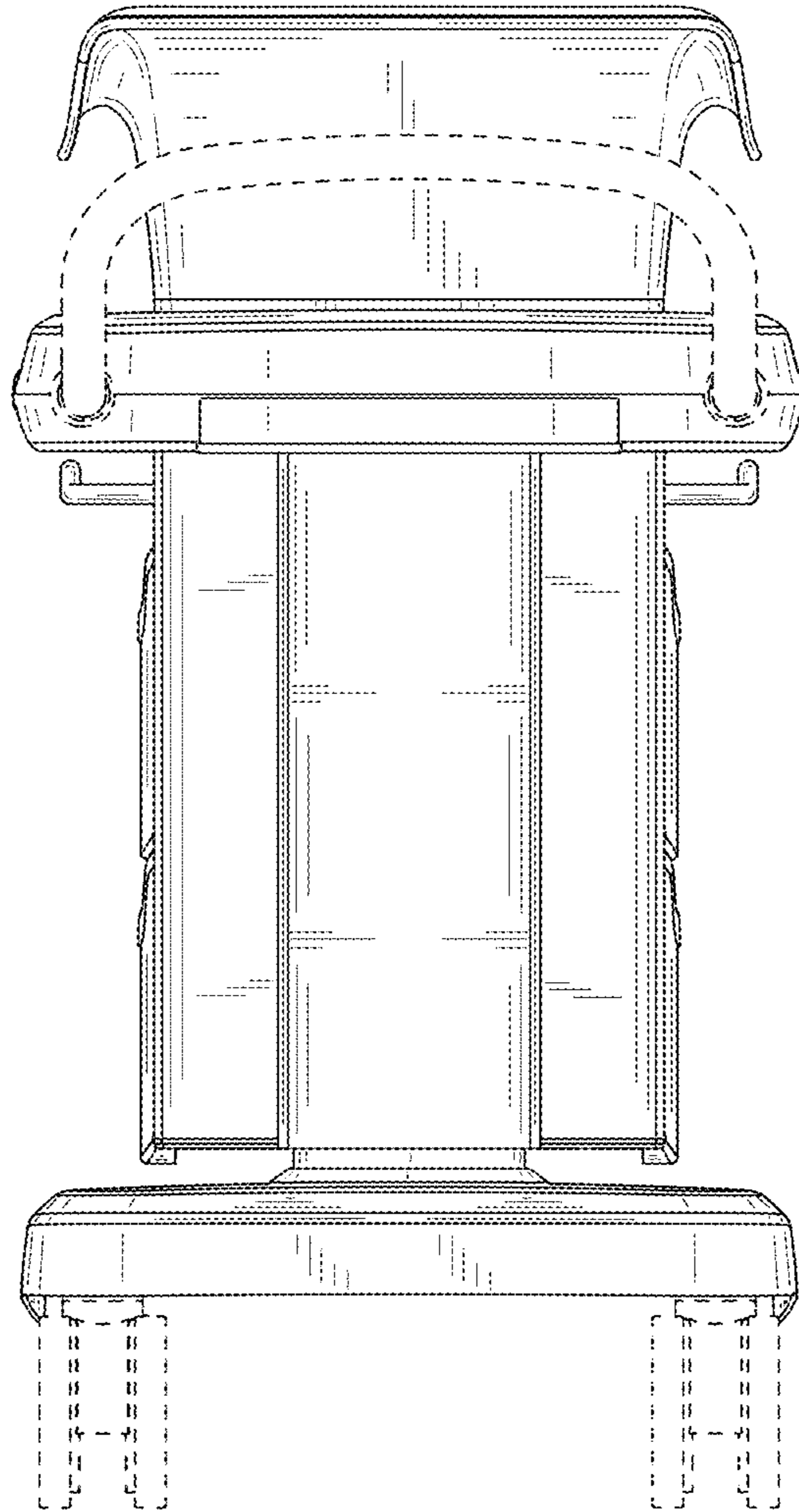


FIG. 2

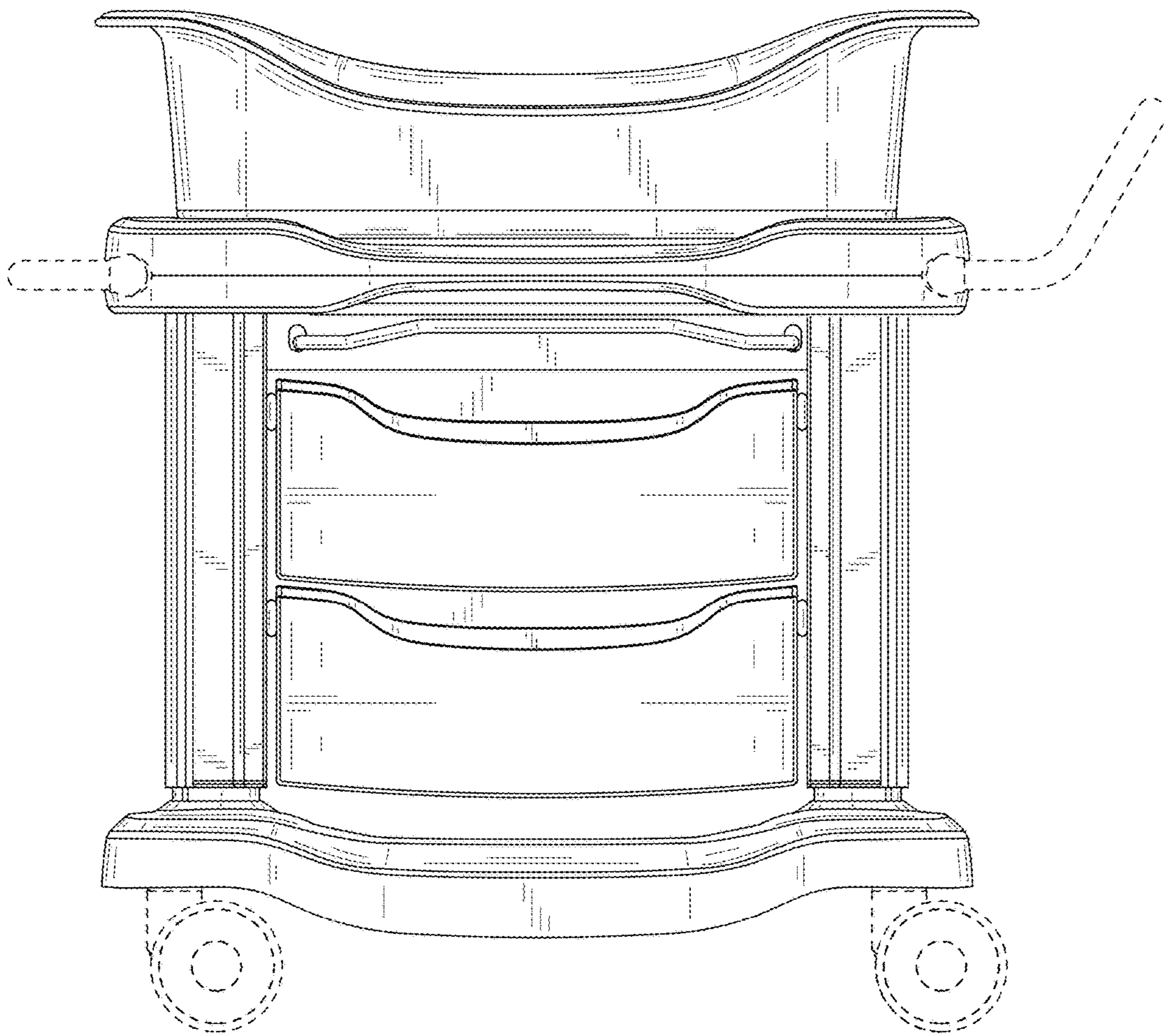


FIG. 3