



US00D786576S

(12) **United States Design Patent**
Dix

(10) **Patent No.:** **US D786,576 S**

(45) **Date of Patent:** **** May 16, 2017**

(54) **SEAT**

D776,450 S * 1/2017 Dix D6/381
D782,218 * 3/2017 Dix D6/336

* cited by examiner

(71) Applicant: **SOUTHERN MOTION, INC.**,
Pontotoc, MS (US)

Primary Examiner — Deanna L Pratt

(72) Inventor: **George K Dix**, Pontotoc, MS (US)

(74) *Attorney, Agent, or Firm* — Thomas G. Peterson;
Bradley Arant Boult Cummings LLP

(73) Assignee: **Southern Motion, Inc.**, Pontotoc, MS
(US)

(57) **CLAIM**

The ornamental design for a seat, as shown and described.

(**) Term: **15 Years**

DESCRIPTION

(21) Appl. No.: **29/559,682**

FIG. 1 shows a perspective view of a first embodiment of the seat in accordance with the new design.

(22) Filed: **Mar. 30, 2016**

FIG. 2 shows a front elevation view of the embodiment of FIG. 1.

(51) **LOC (10) Cl.** **06-01**

FIG. 3 shows a side view of the embodiment of FIG. 1.

(52) **U.S. Cl.**

FIG. 4 shows a rear view of the embodiment of FIG. 1.

USPC **D6/381**; D6/334

FIG. 5 shows a top view of the embodiment of FIG. 1.

(58) **Field of Classification Search**

FIG. 6 shows a perspective view of a second embodiment of the seat in accordance with the new design.

USPC D6/334, 335, 336, 360, 361, 367, 368,
D6/371–375, 379–381, 716, 716.1–716.8

FIG. 7 shows a front elevation view of the embodiment of FIG. 6.

CPC A47C 17/00; A47C 17/02; A47C 17/04;
A47C 17/045; A47C 17/12; A47C 17/175

FIG. 8 shows a side view of the embodiment of FIG. 6.

See application file for complete search history.

FIG. 9 shows a rear view of the embodiment of FIG. 6.

(56) **References Cited**

FIG. 10 shows a top view of the embodiment of FIG. 6.

U.S. PATENT DOCUMENTS

FIG. 11 shows a perspective view of a third embodiment of the seat in accordance with the new design.

D365,215 S	*	12/1995	Warren	D6/336
D390,372 S	*	2/1998	Lewis	D6/367
D501,095 S	*	1/2005	Zydko Hoyas	D6/335
D613,959 S	*	4/2010	Crockett	D6/381
D634,941 S	*	3/2011	Crockett	D6/381
D742,135 S	*	11/2015	Dix	D6/381
D750,915 S	*	3/2016	Dix	D6/381

FIG. 12 shows a front elevation view of the embodiment of FIG. 11.

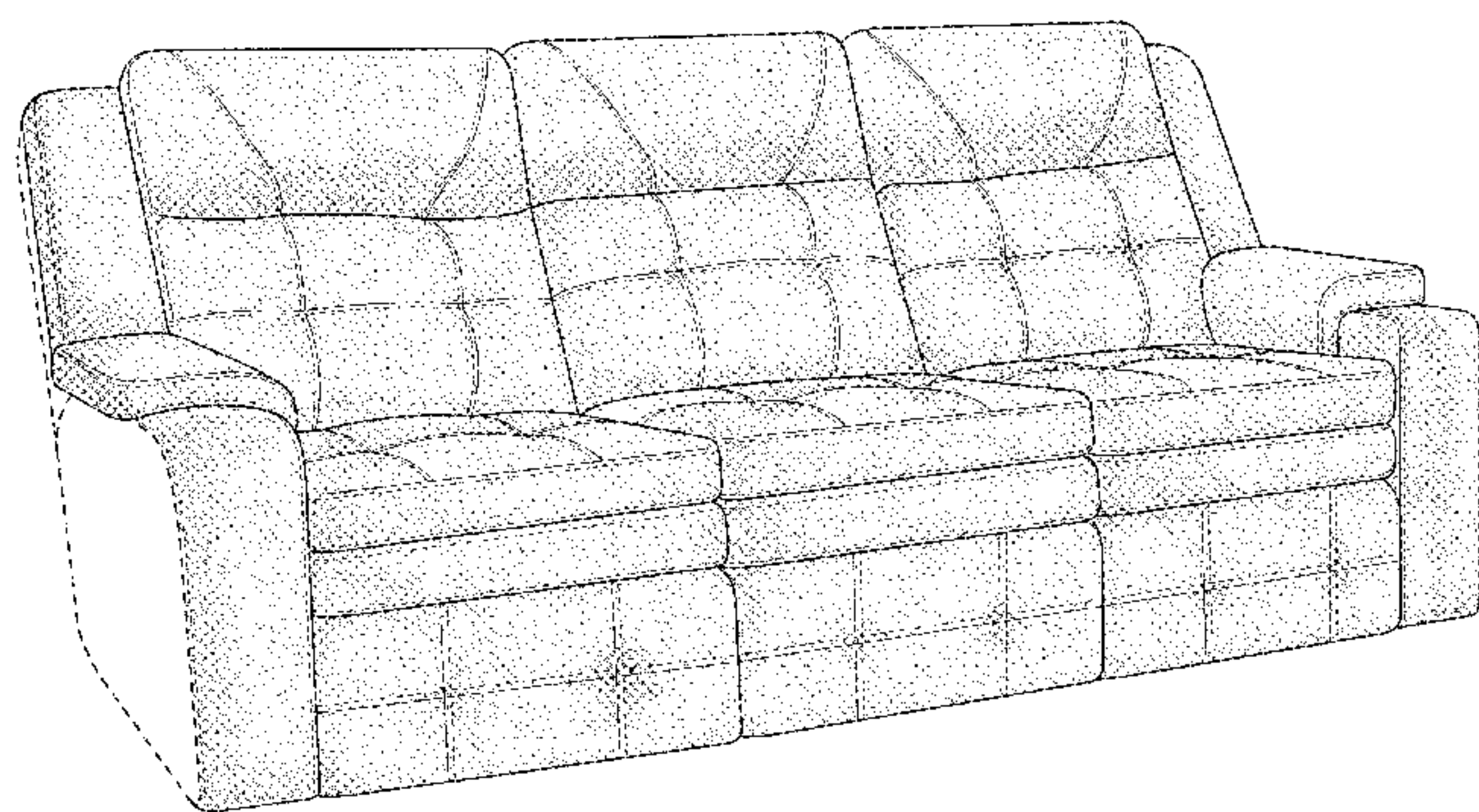
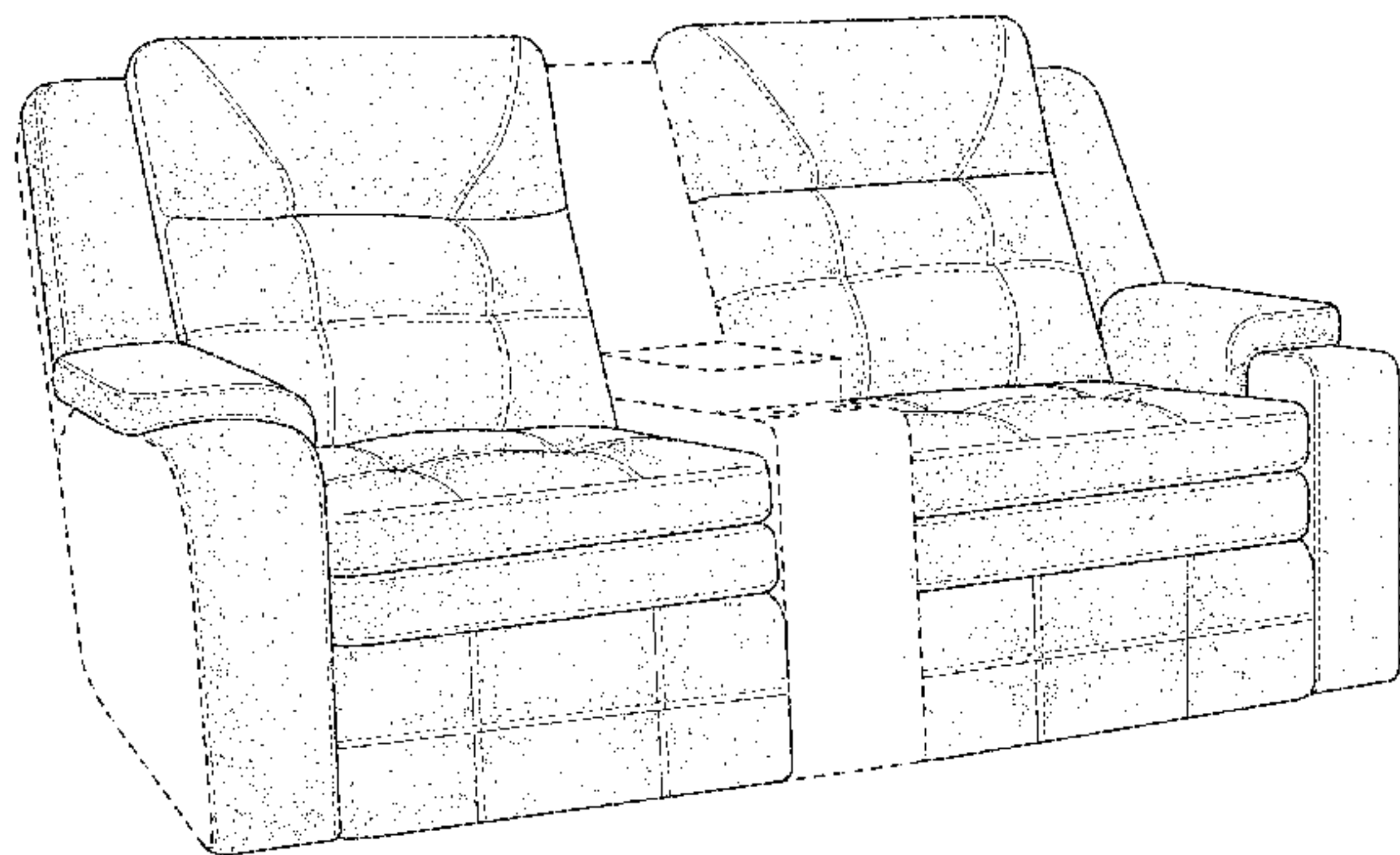
FIG. 13 shows a side view of the embodiment of FIG. 11.

FIG. 14 shows a rear view of the embodiment of FIG. 11; and,

FIG. 15 shows a top view of the embodiment of FIG. 11.

The dashed lines shown in the drawings illustrate environmental structure and form no part of the claimed design.

1 Claim, 15 Drawing Sheets



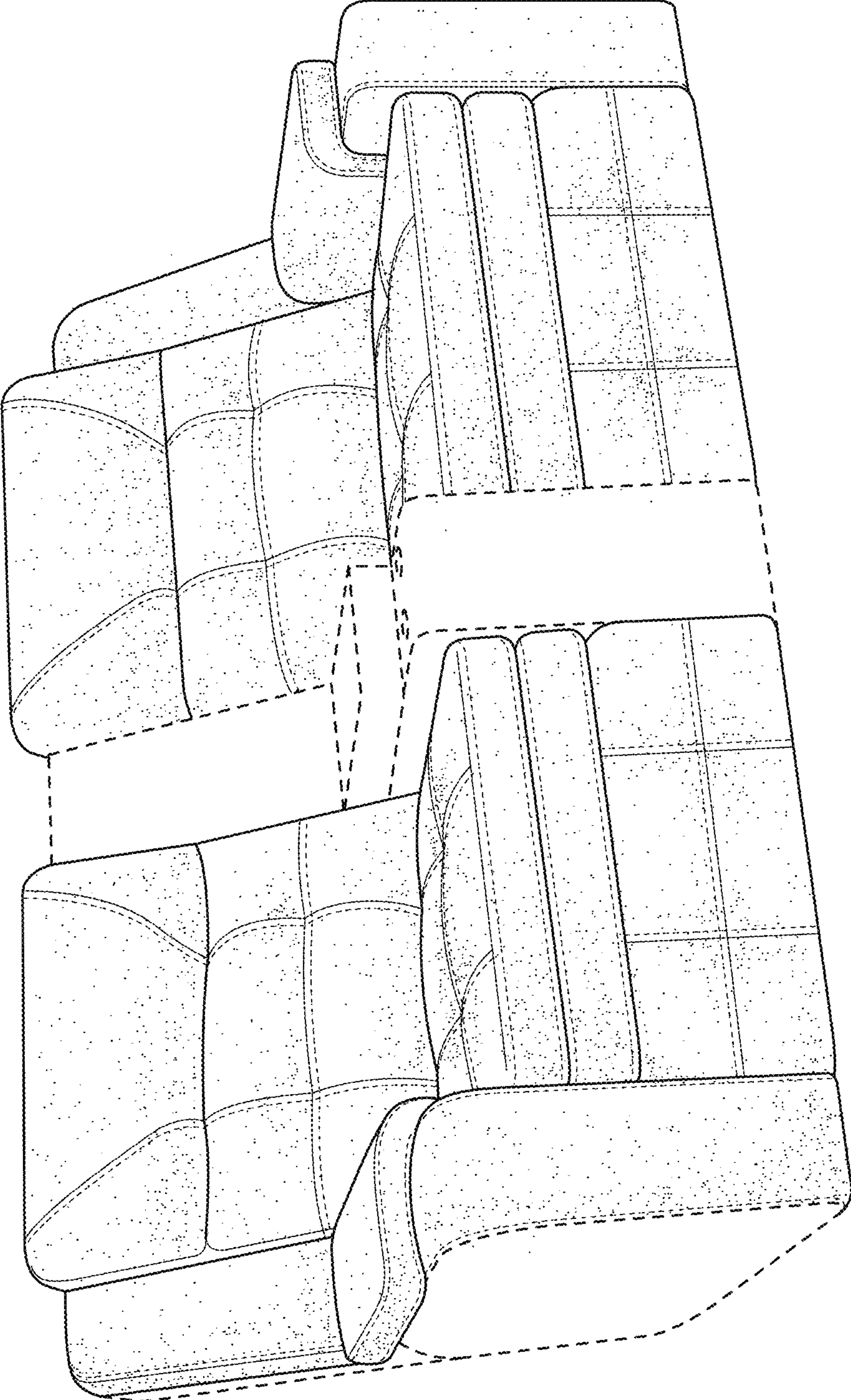


FIG. 1

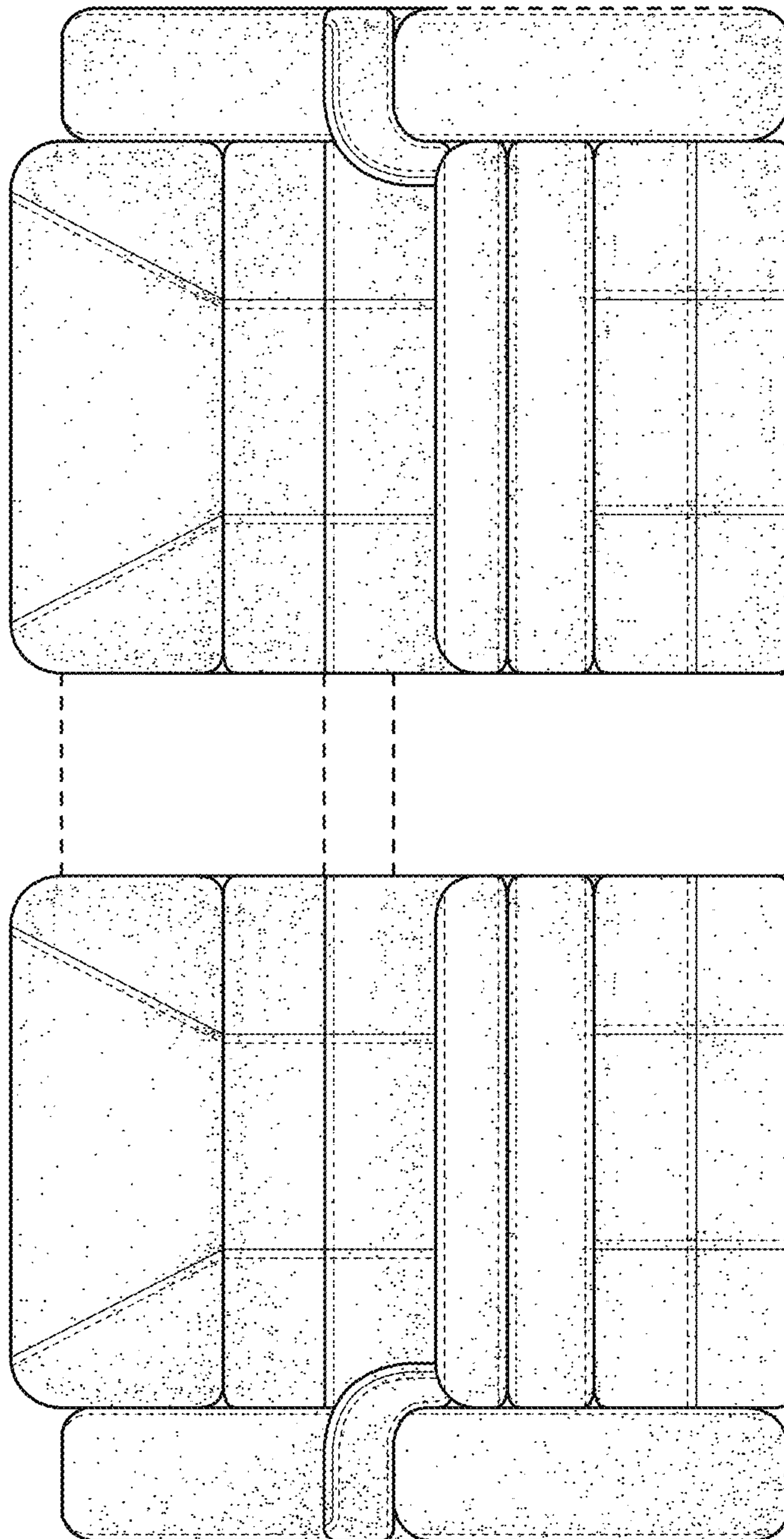


FIG. 2

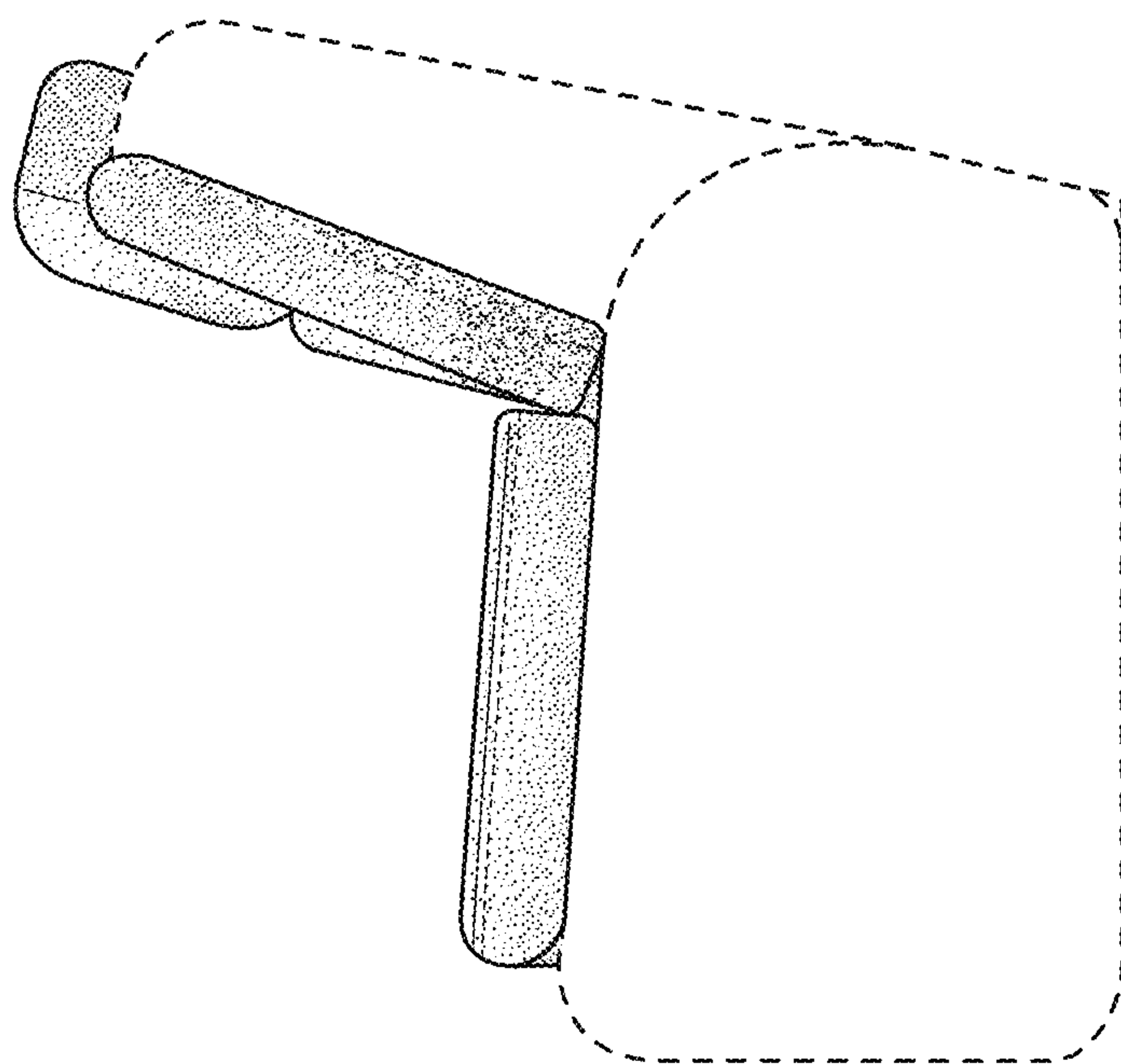


FIG. 3

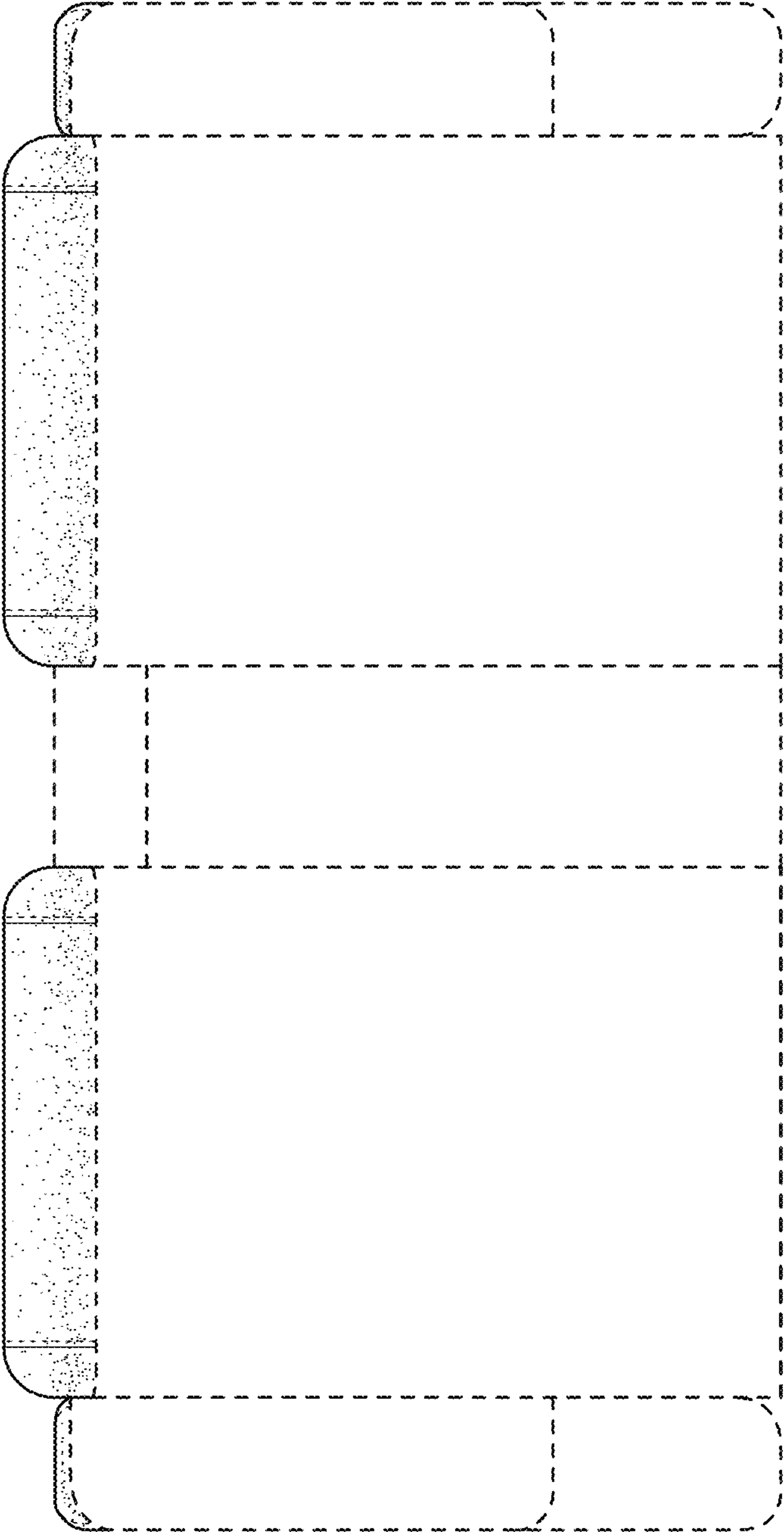


FIG. 4

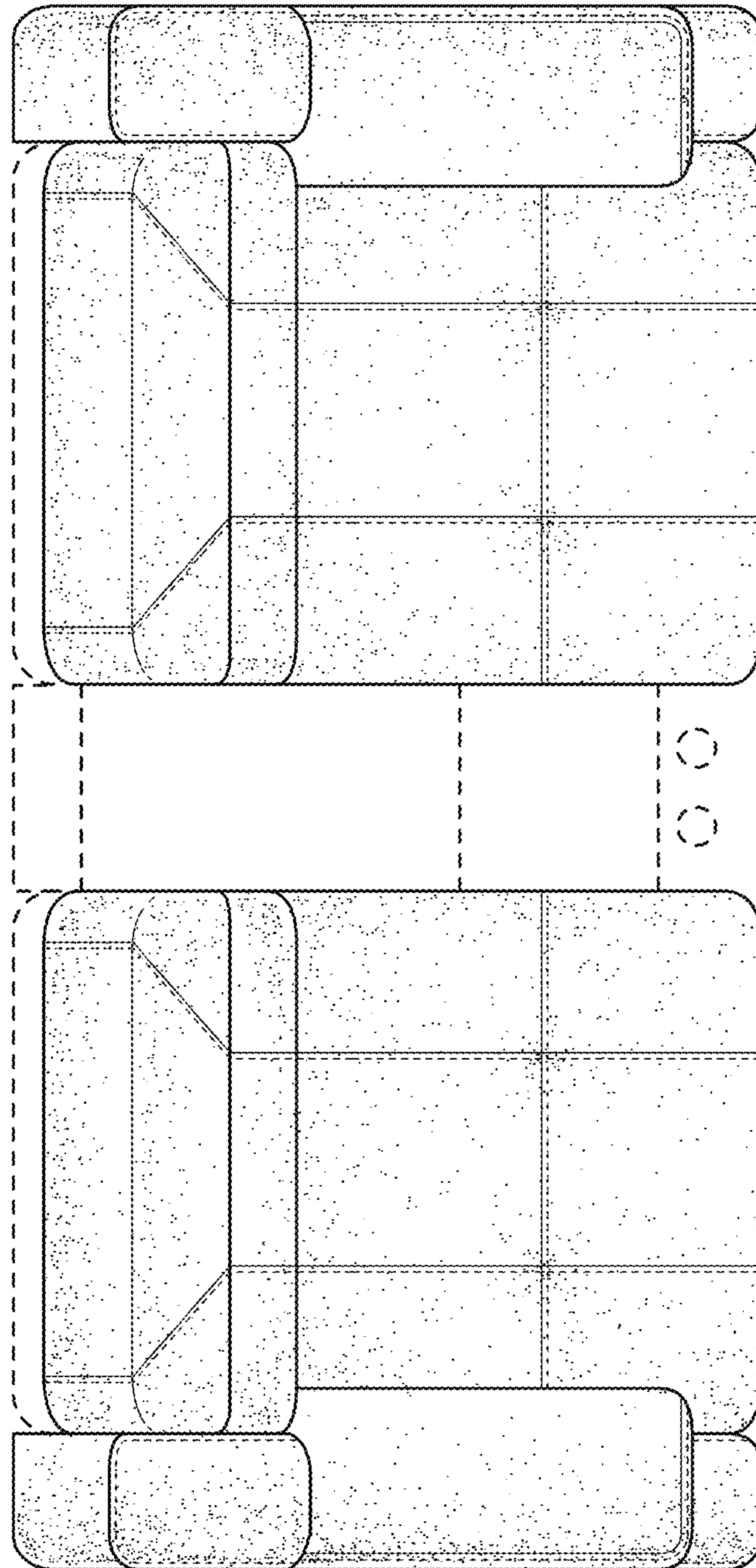


FIG. 5

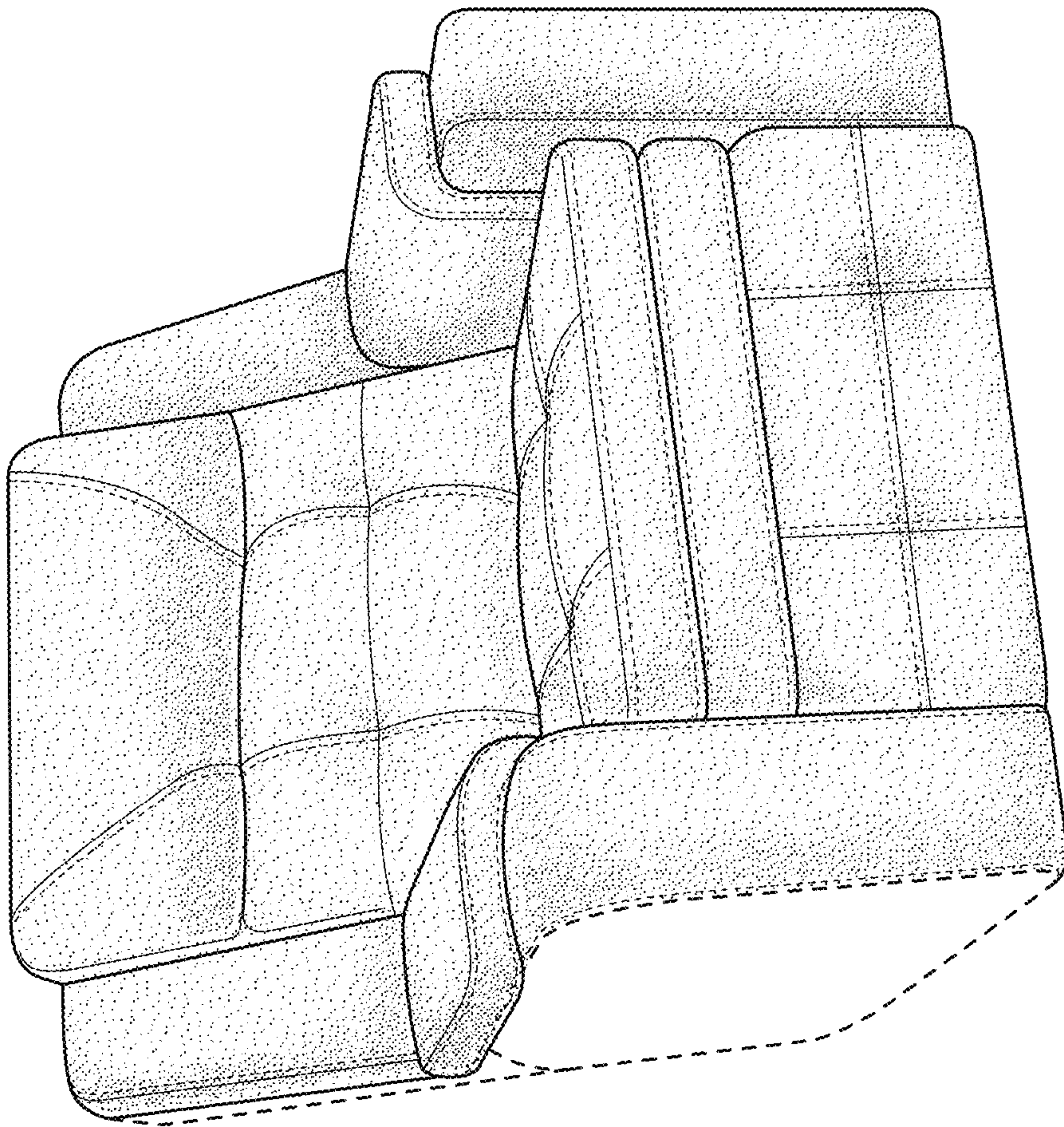


FIG. 6

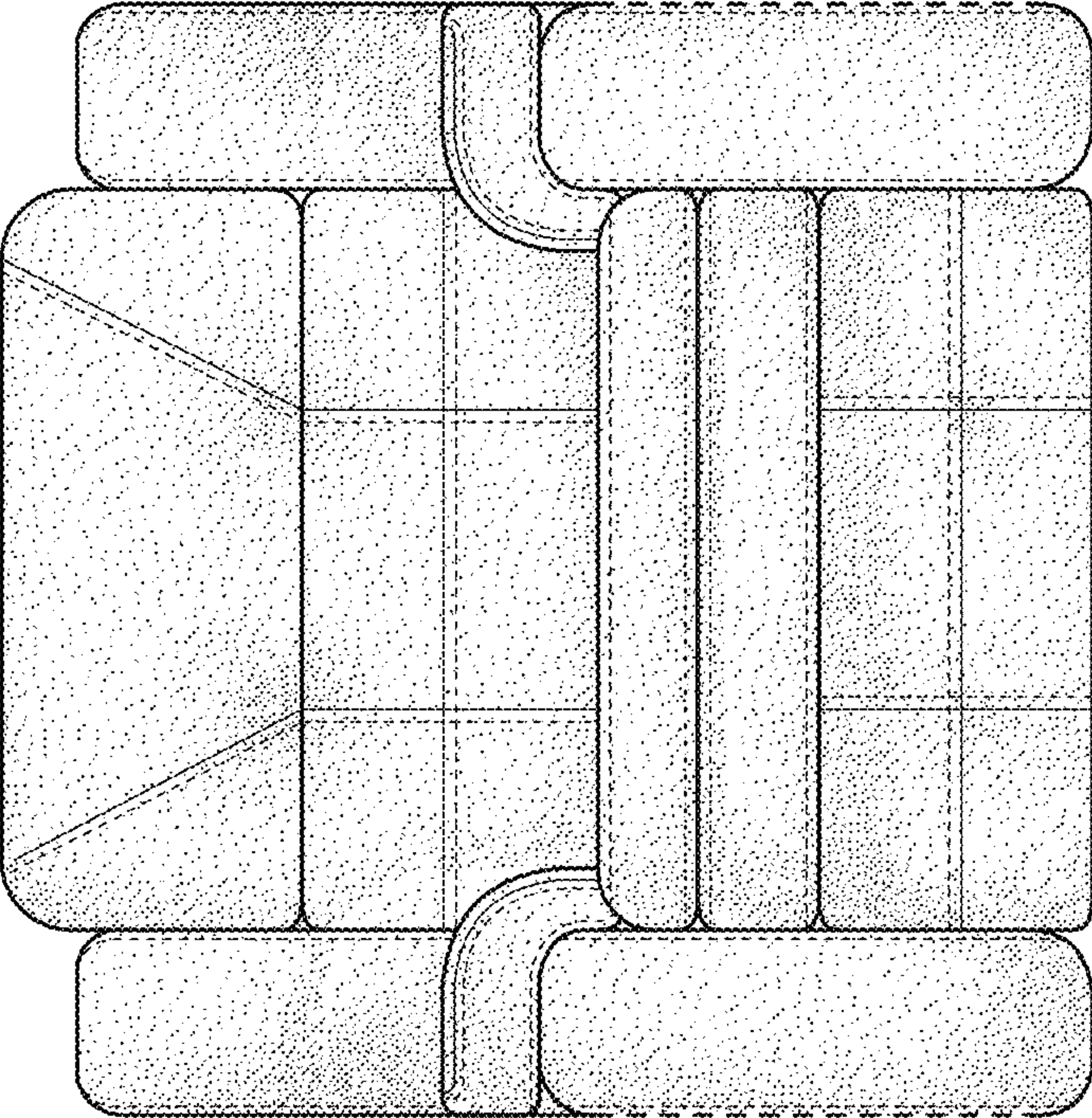


FIG. 7

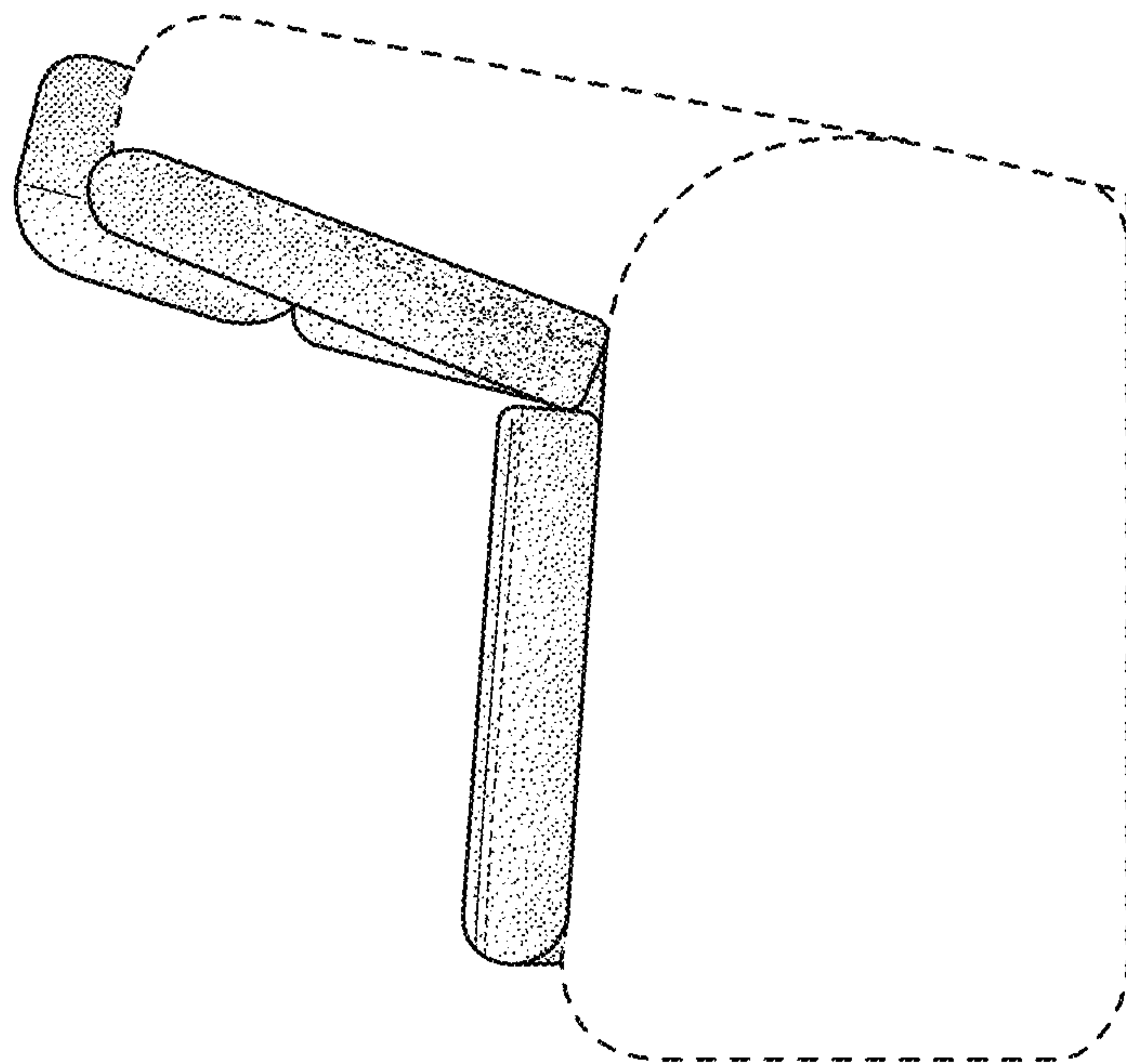


FIG. 8

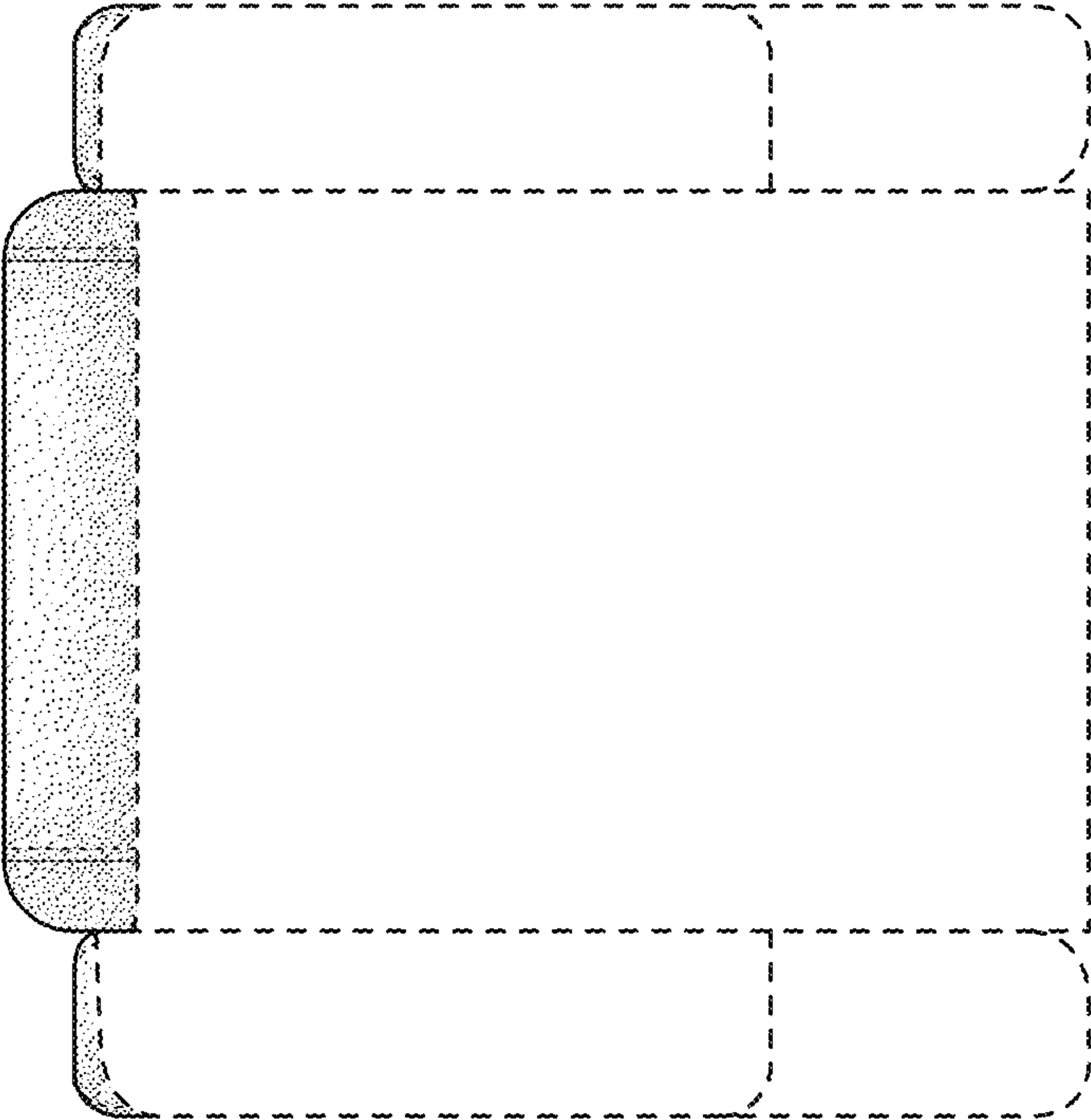


FIG. 9

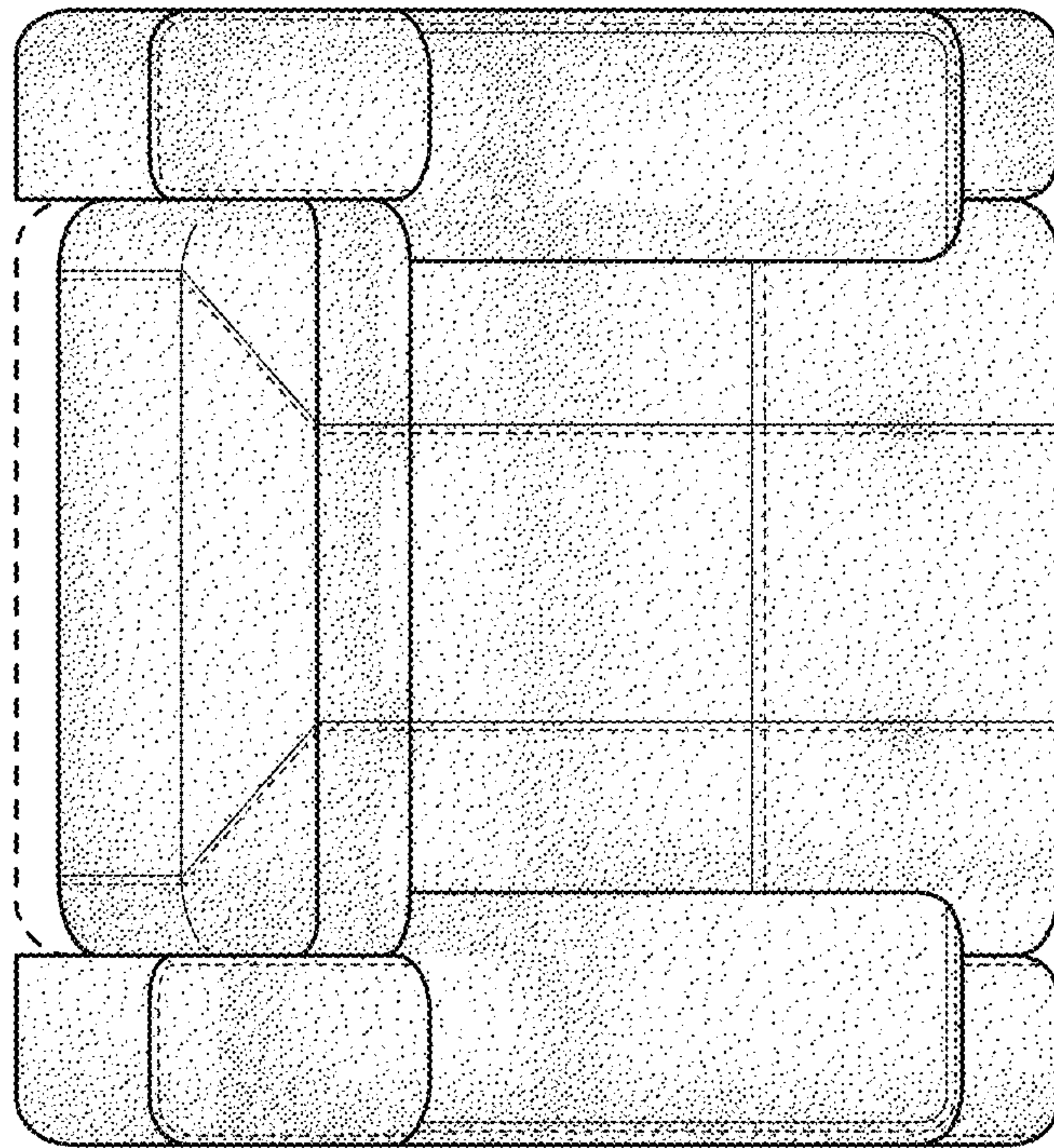


FIG. 10

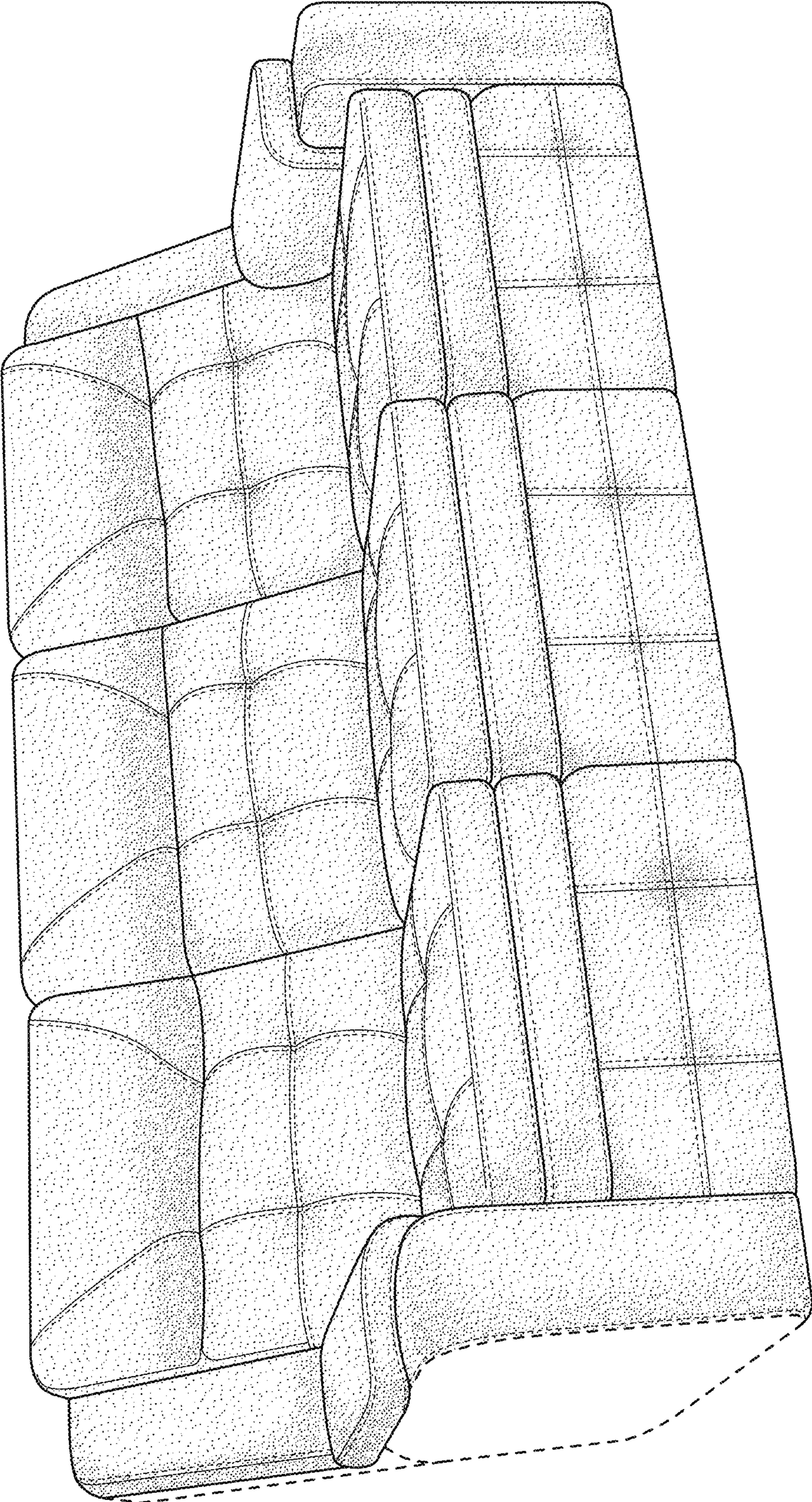


FIG. 11

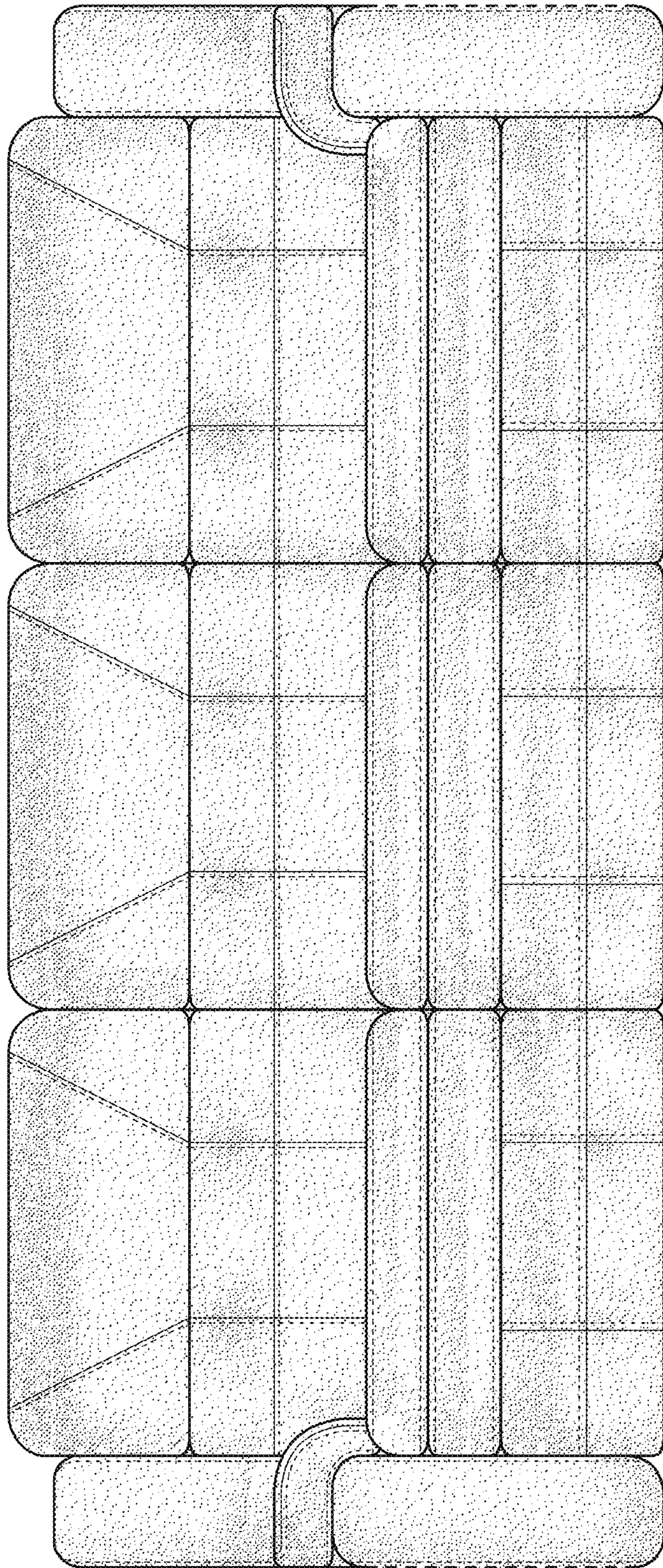


FIG. 12

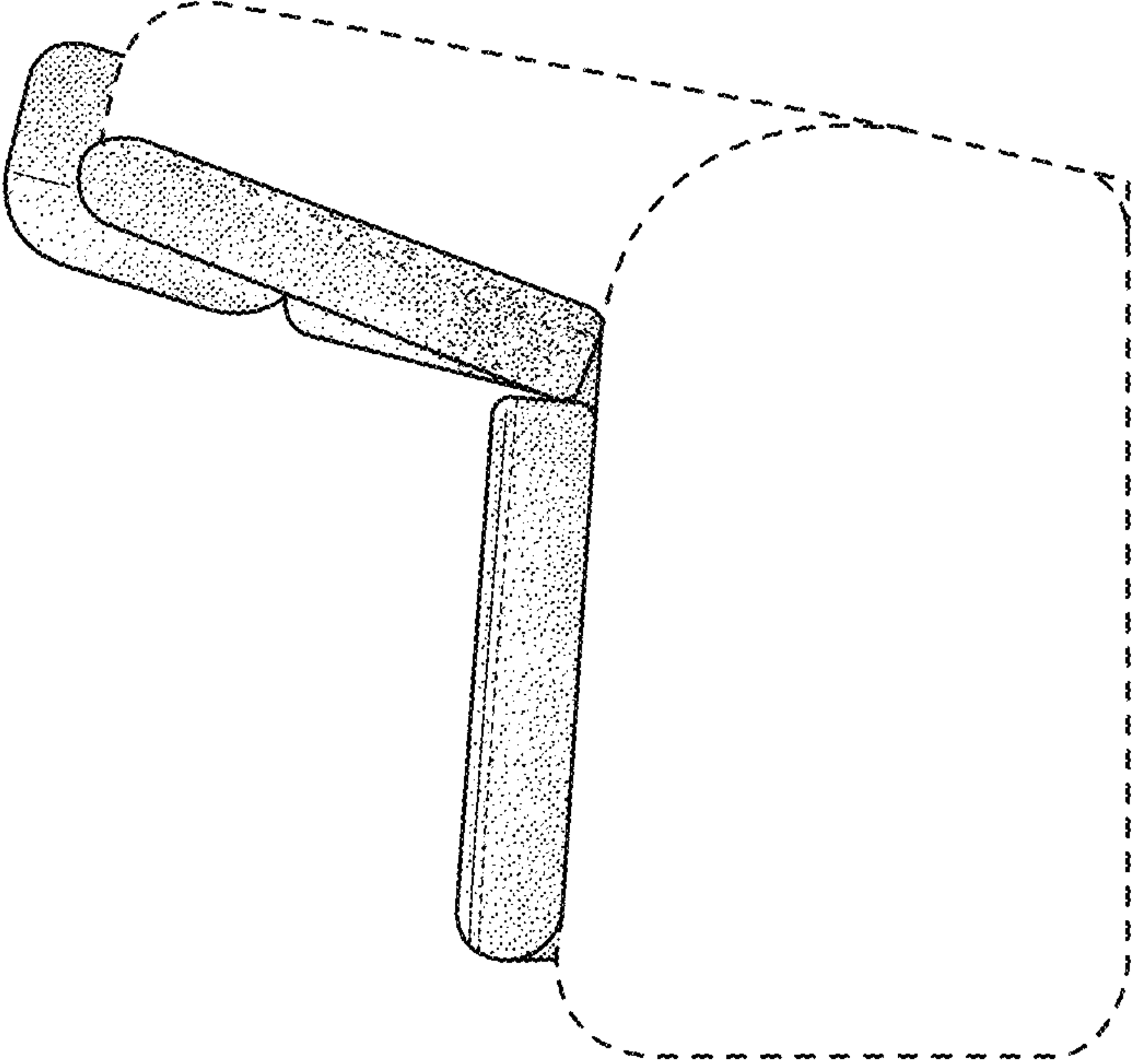


FIG. 13

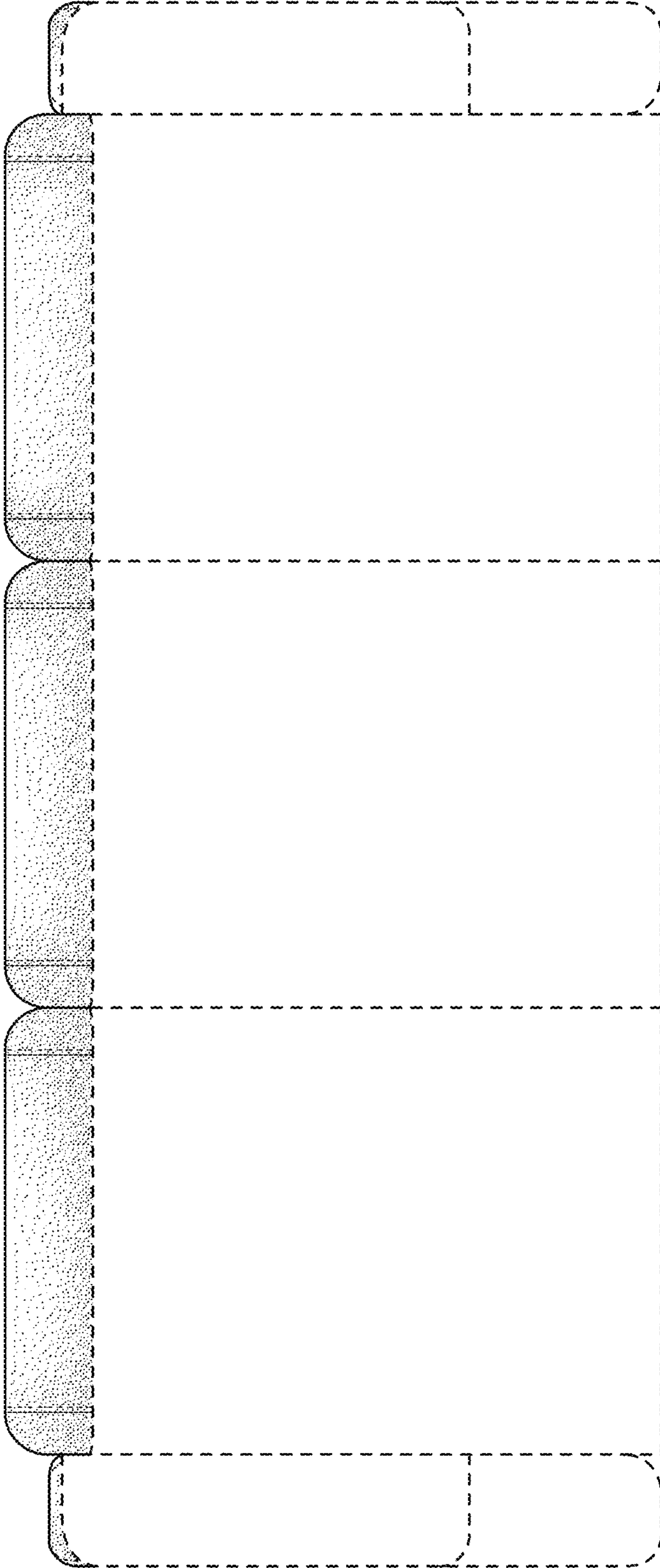


FIG. 14

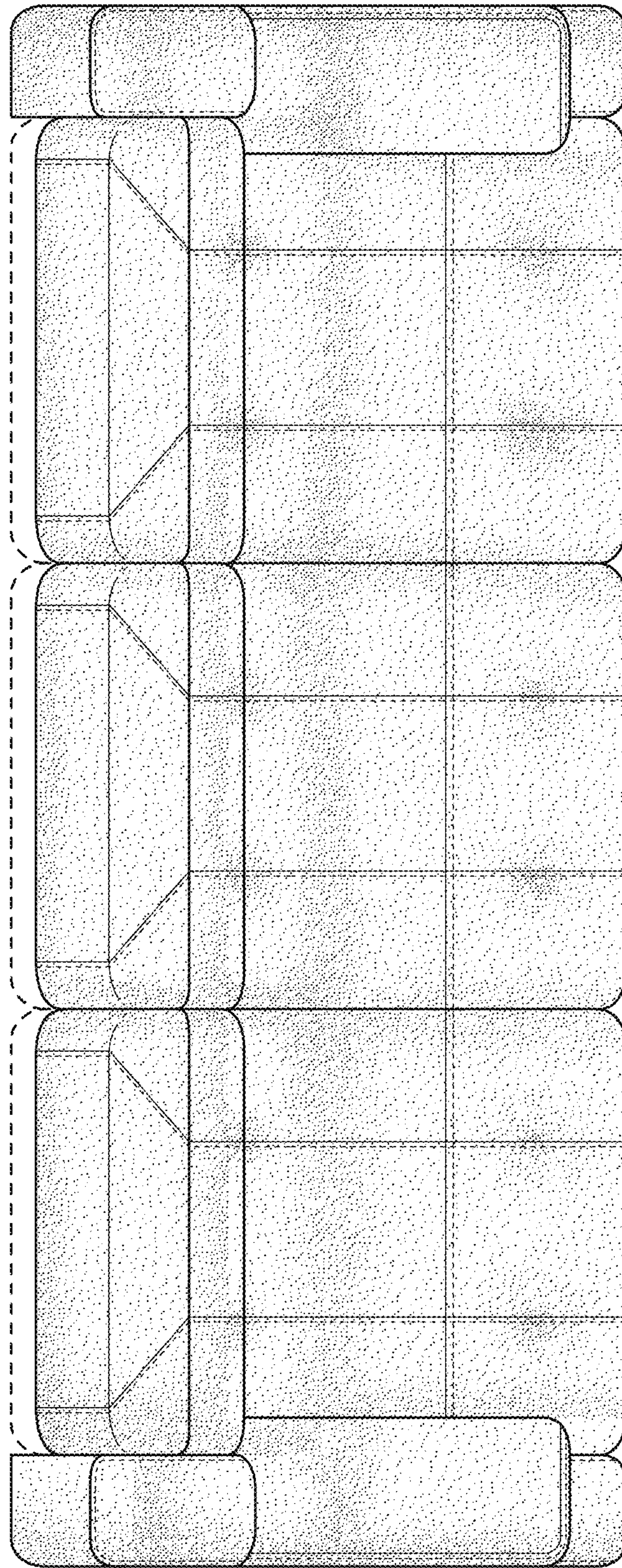


FIG. 15