



US00D786575S

(12) **United States Design Patent**  
**Olarte**

(10) **Patent No.:** **US D786,575 S**

(45) **Date of Patent:** **\*\* May 16, 2017**

(54) **STACKABLE CHAIR**

(71) Applicant: **Alvaro Mauricio Olarte**, Aventura, FL  
(US)

(72) Inventor: **Alvaro Mauricio Olarte**, Aventura, FL  
(US)

(73) Assignee: **Series International, LLC**, Aventura,  
FL (US)

(\*\*) Term: **15 Years**

(21) Appl. No.: **29/526,865**

(22) Filed: **May 13, 2015**

(51) **LOC (10) Cl.** ..... **06-01**

(52) **U.S. Cl.**  
USPC ..... **D6/368**

(58) **Field of Classification Search**  
USPC ..... D6/334-336, 368, 371, 372, 373, 374,  
D6/376, 379, 380, 716, 716.1, 716.2,  
D6/716.4

CPC .... A47C 4/02; A47C 4/03; A47C 4/00; A47C  
4/024; A47C 4/08; A47C 4/10; A47C  
4/045; A47C 1/121

See application file for complete search history.

(56) **References Cited**

**U.S. PATENT DOCUMENTS**

2,044,473	A *	6/1936	Geller	.....	A47C 4/10 297/59
2,098,711	A *	11/1937	Rastetter	.....	A47C 4/10 297/59
2,232,205	A *	2/1941	Boardman	.....	A47C 4/10 297/60
D156,935	S *	1/1950	Carlson	.....	297/59
D465,664	S *	11/2002	Stannard	.....	D6/368
D594,669	S *	6/2009	Asano	.....	D6/376
D616,658	S *	6/2010	Niermeyer	.....	D6/368
D687,642	S *	8/2013	Hsuan-Chin	.....	D6/376
D689,297	S *	9/2013	Su	.....	D6/376

D690,952	S *	10/2013	Becker	.....	D6/374
D703,458	S *	4/2014	Nakamura	.....	D6/368
D734,621	S *	7/2015	Su	.....	D6/376

(Continued)

**OTHER PUBLICATIONS**

Large chair with fold down seat by: Figueras International Seating;  
Dimensions 430 Delta (1 page, undated).

(Continued)

*Primary Examiner* — Mimosa De

(74) *Attorney, Agent, or Firm* — St. Onge Steward  
Johnston & Reens, LLC

(57) **CLAIM**

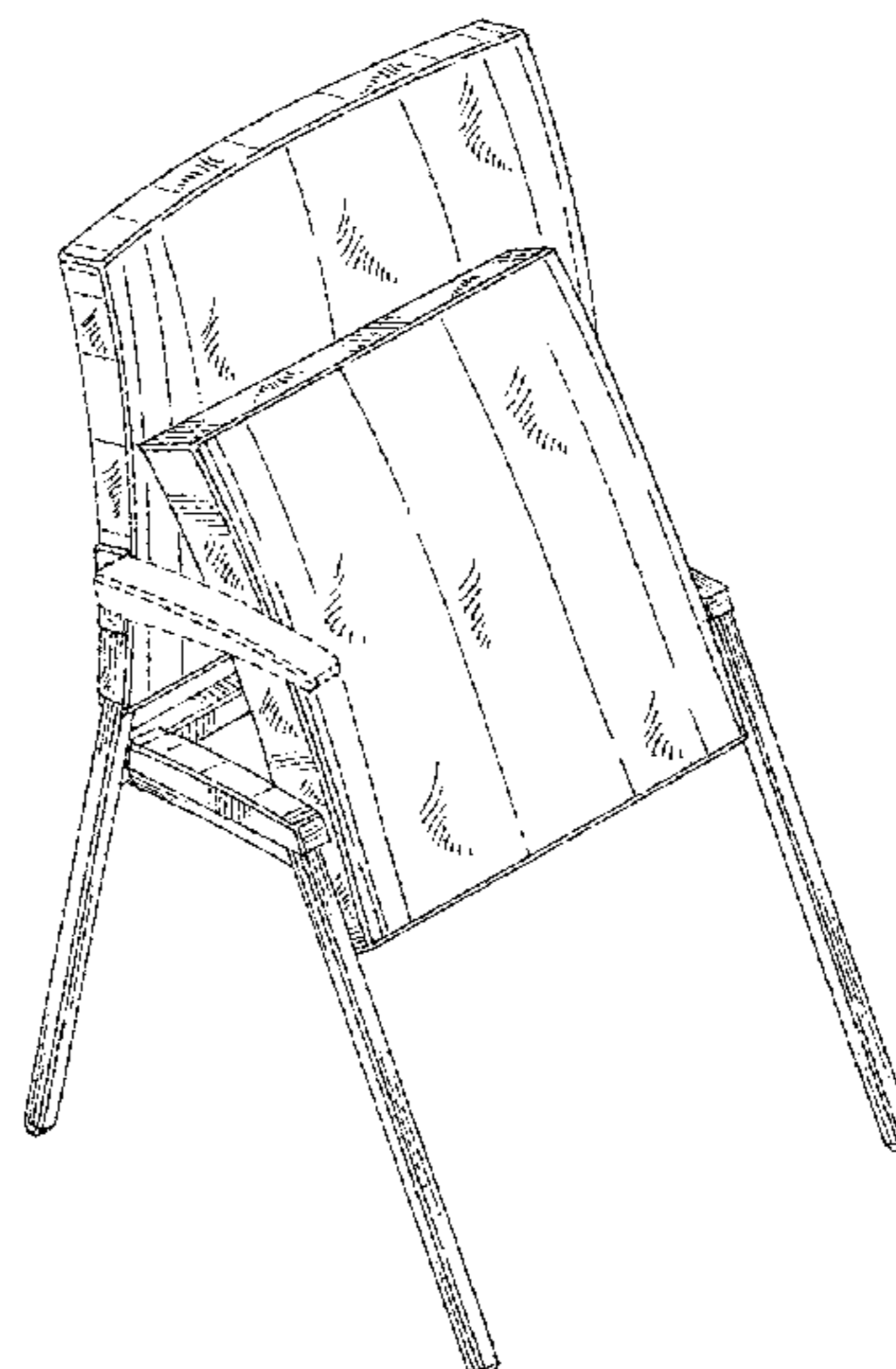
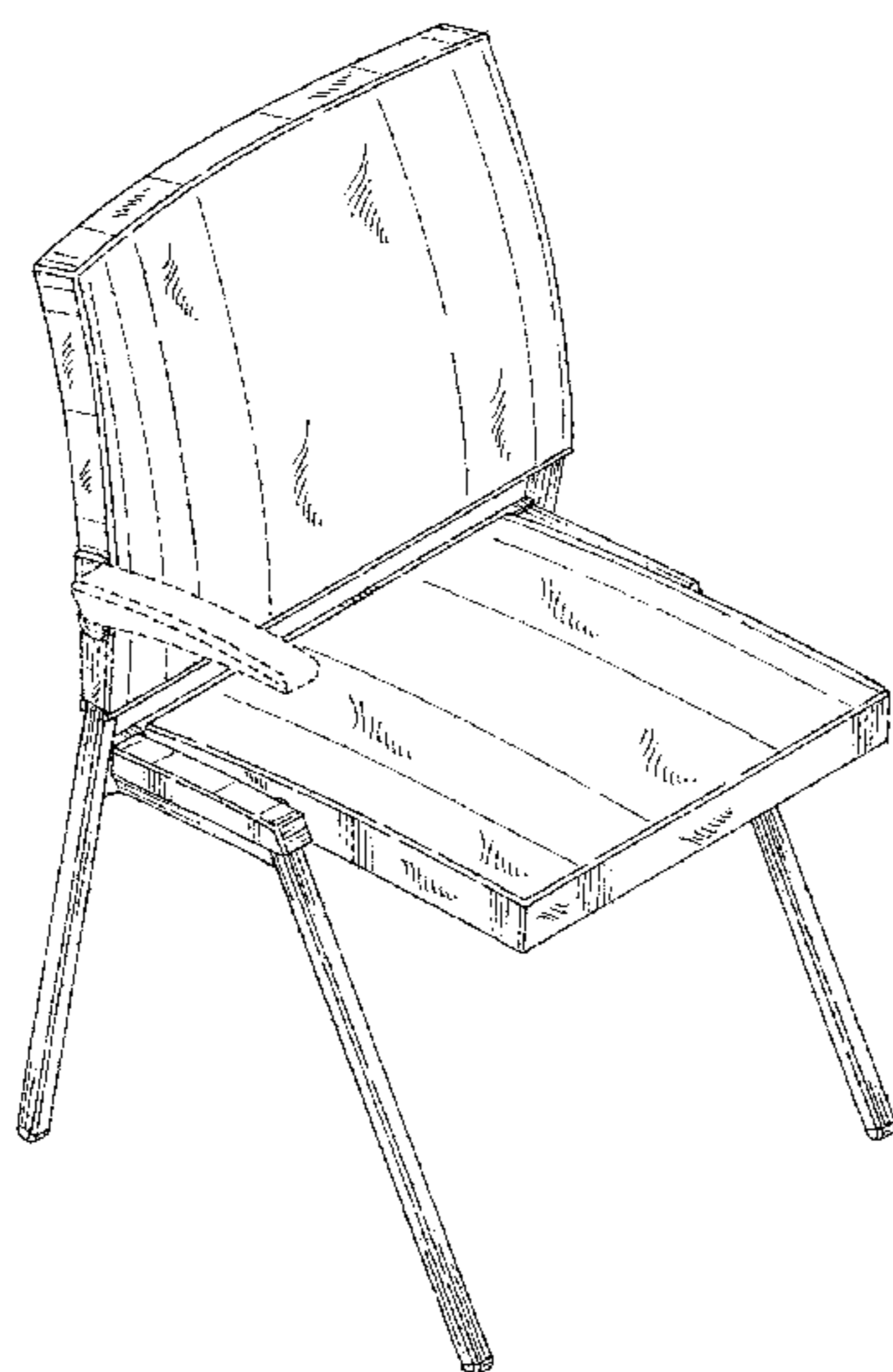
The ornamental design for a stackable chair, as shown and  
described.

**DESCRIPTION**

FIG. 1 is a front right side isometric view of a stackable chair  
in accordance with the new design;  
FIG. 2 is a right side elevational view thereof;  
FIG. 3 is a left side elevational view thereof;  
FIG. 4 is a front elevational view thereof;  
FIG. 5 is a rear elevational view thereof;  
FIG. 6 is a top plan view thereof;  
FIG. 7 is a bottom plan view thereof;  
FIG. 8 is a front right side isometric view of the stackable  
chair in a folded position;  
FIG. 9 is a right side elevational view according to FIG. 8;  
FIG. 10 is a front elevational view according to FIG. 8; and,  
FIG. 11 is a front right side isomeric view of the stackable  
chair with a second arm rest.

The broken lines shown in FIGS. 1-11 are for the purpose of  
illustrating portions of the stackable chair that form no part  
of the claimed design.

**1 Claim, 11 Drawing Sheets**



(56)

**References Cited**

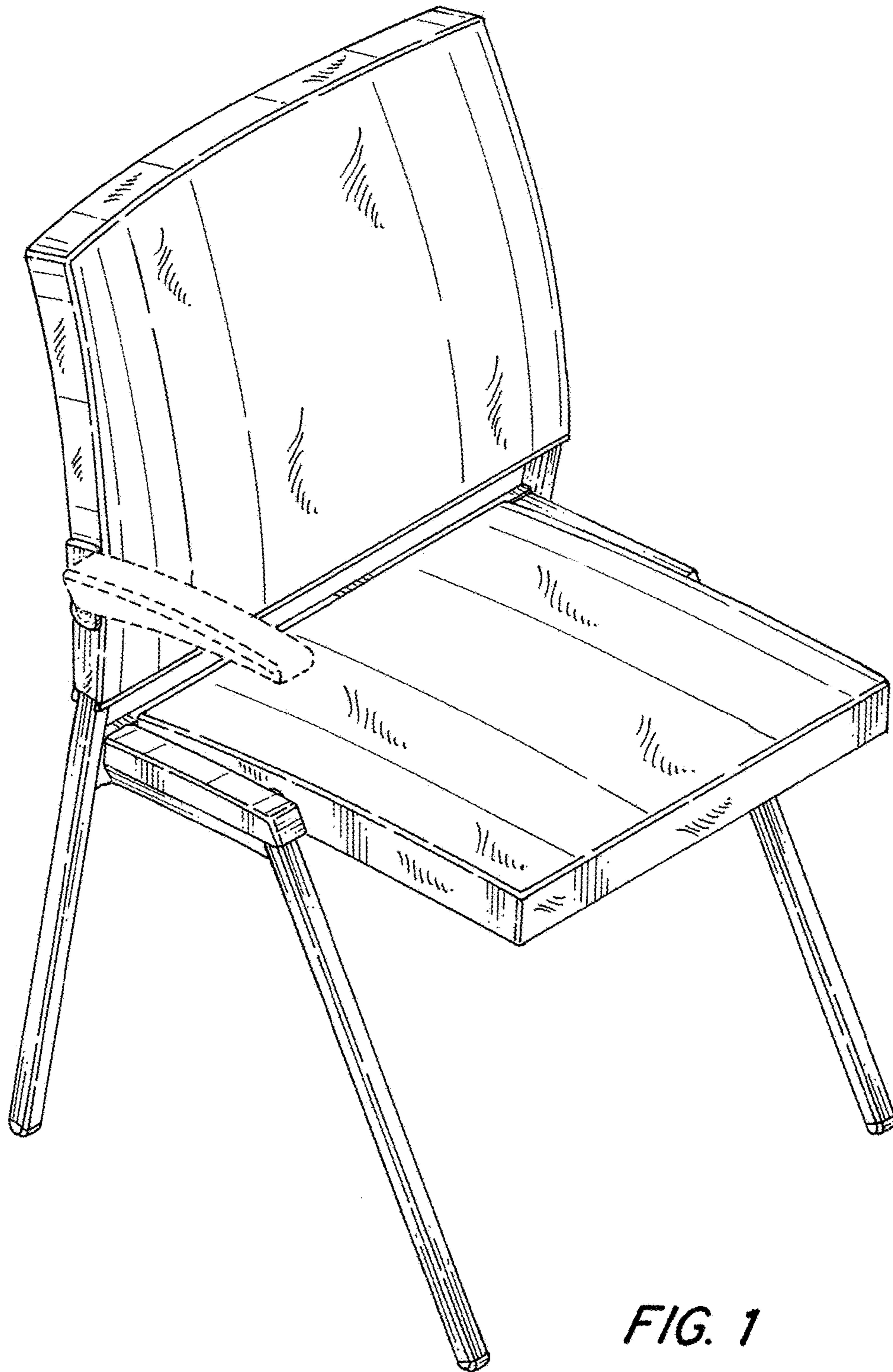
U.S. PATENT DOCUMENTS

9,113,715 B2 \* 8/2015 Olarte ..... A47C 1/121

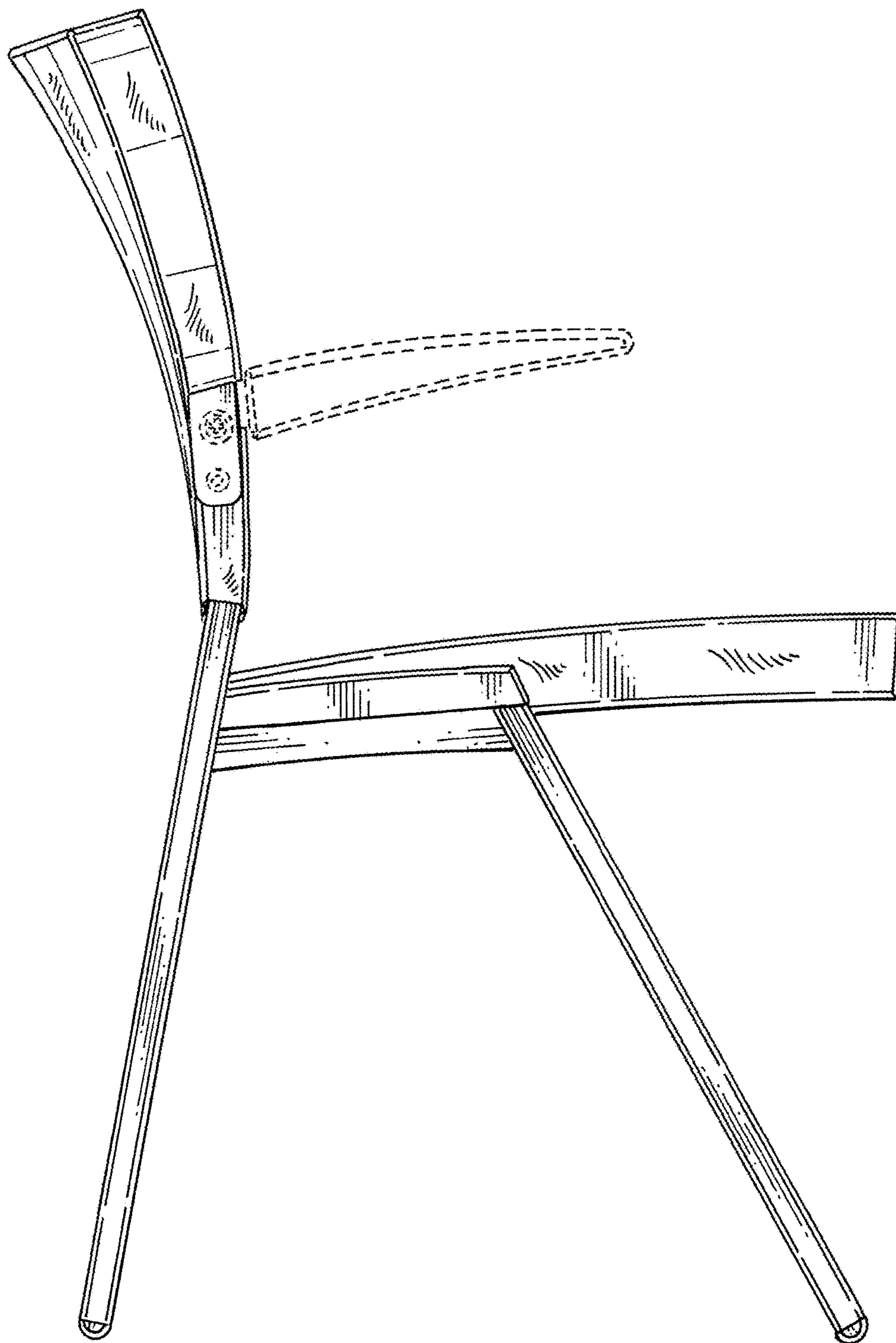
OTHER PUBLICATIONS

Fold down seat for public spaces by: Figueras International Seating;  
Dimensions 630 Tulipa (1 page, undated).  
Stackable Chair Designs by: Various Companies in USA (5 pages,  
undated).

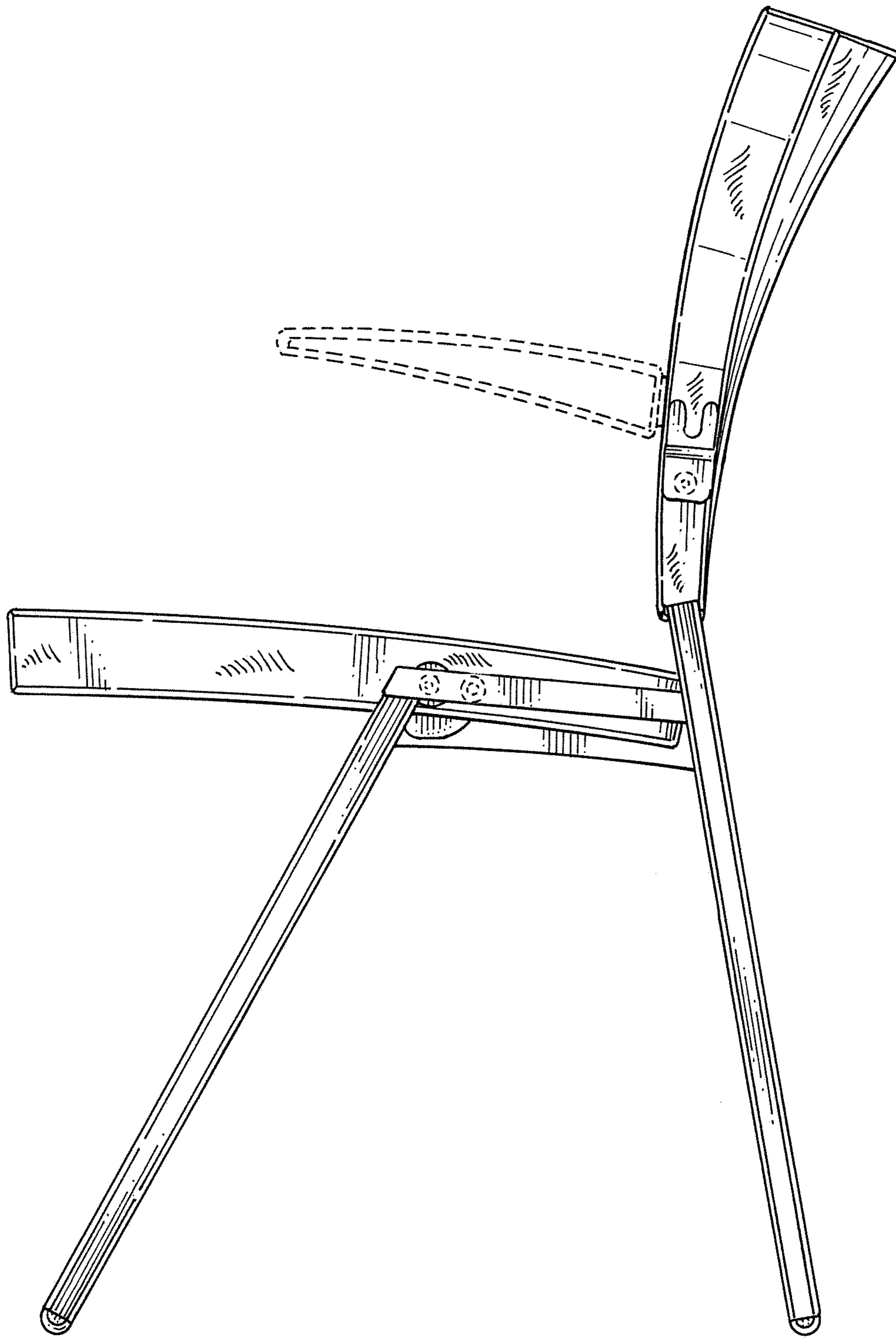
\* cited by examiner



**FIG. 1**



*FIG. 2*



*FIG. 3*

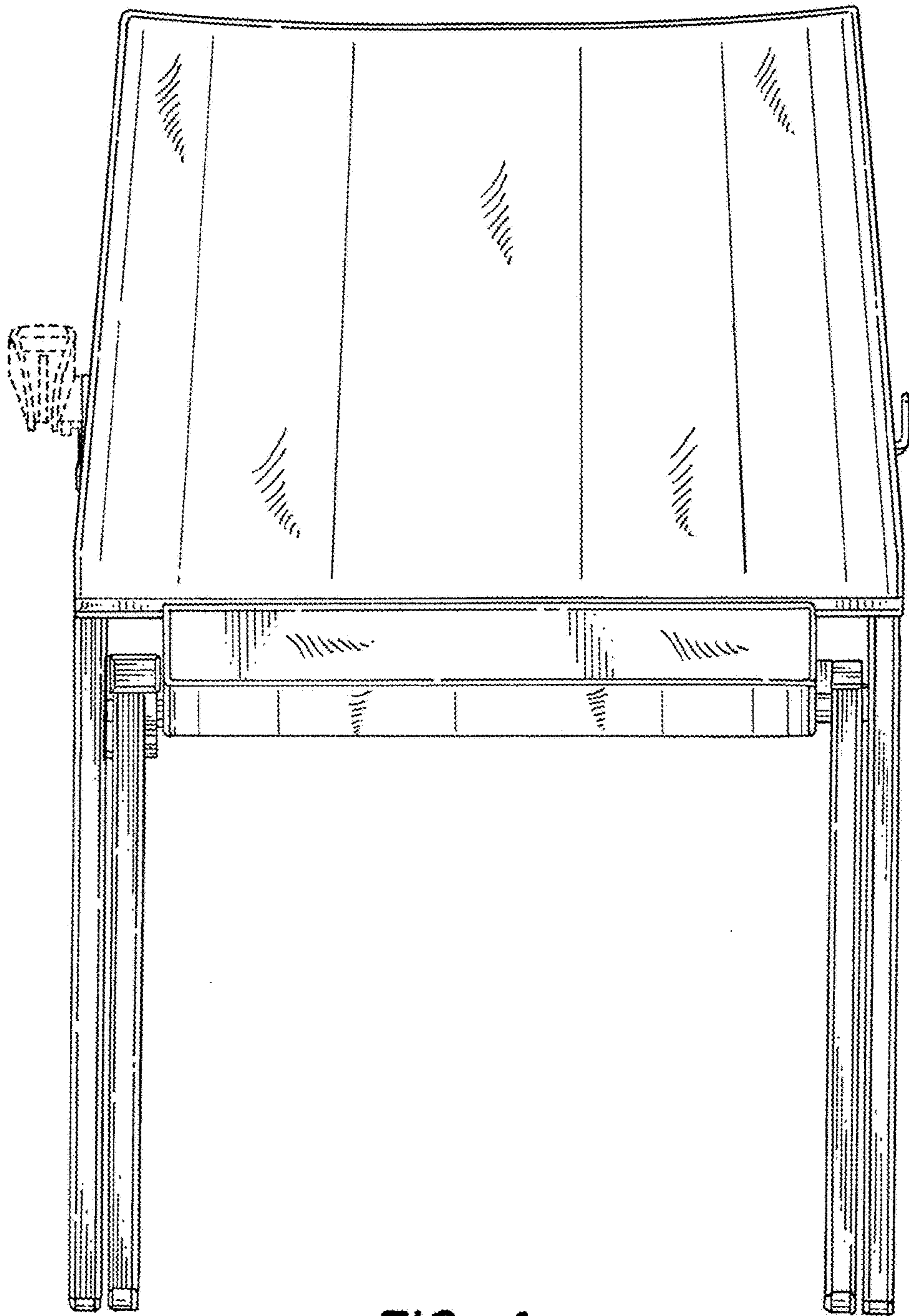
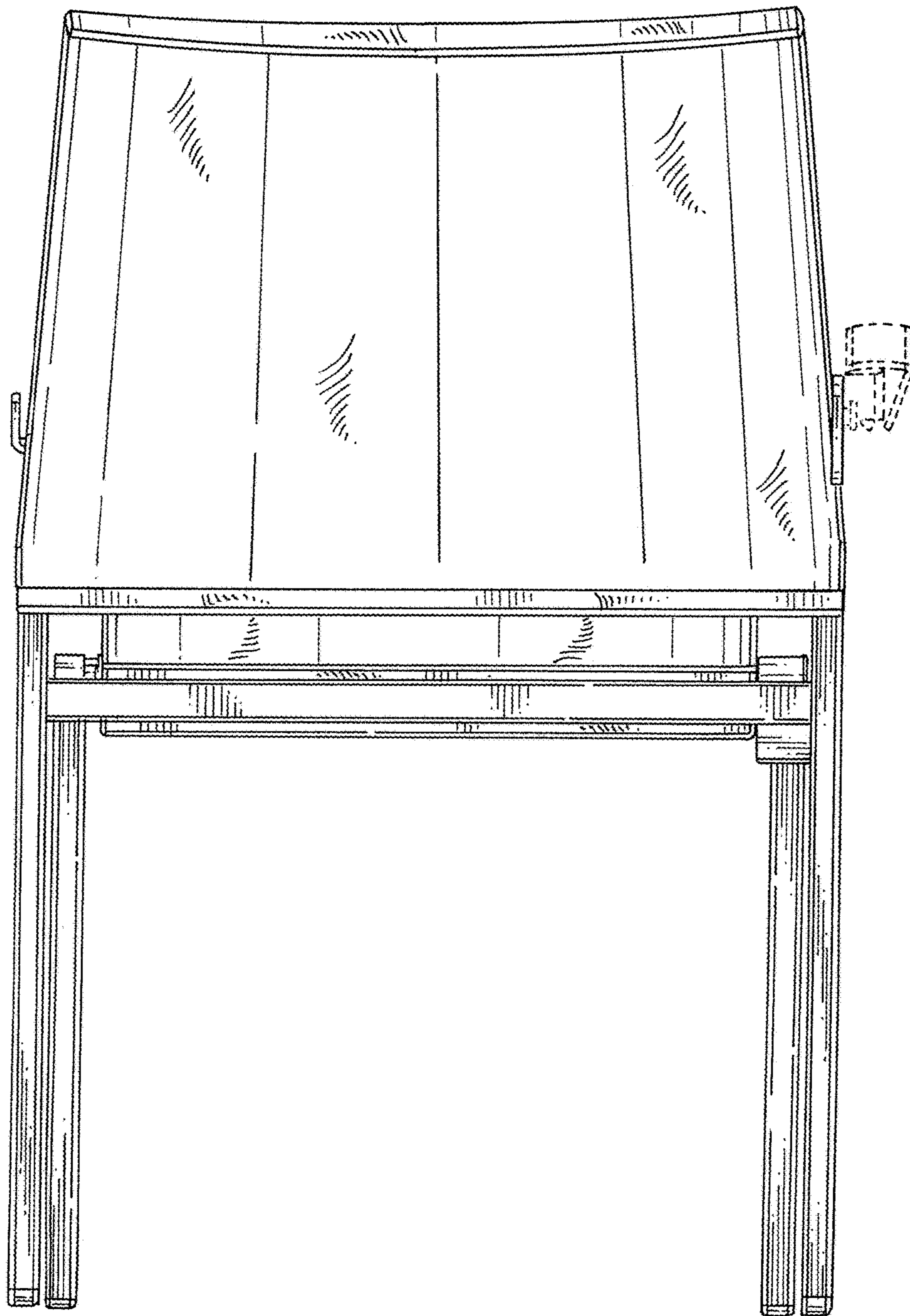


FIG. 4



*FIG. 5*

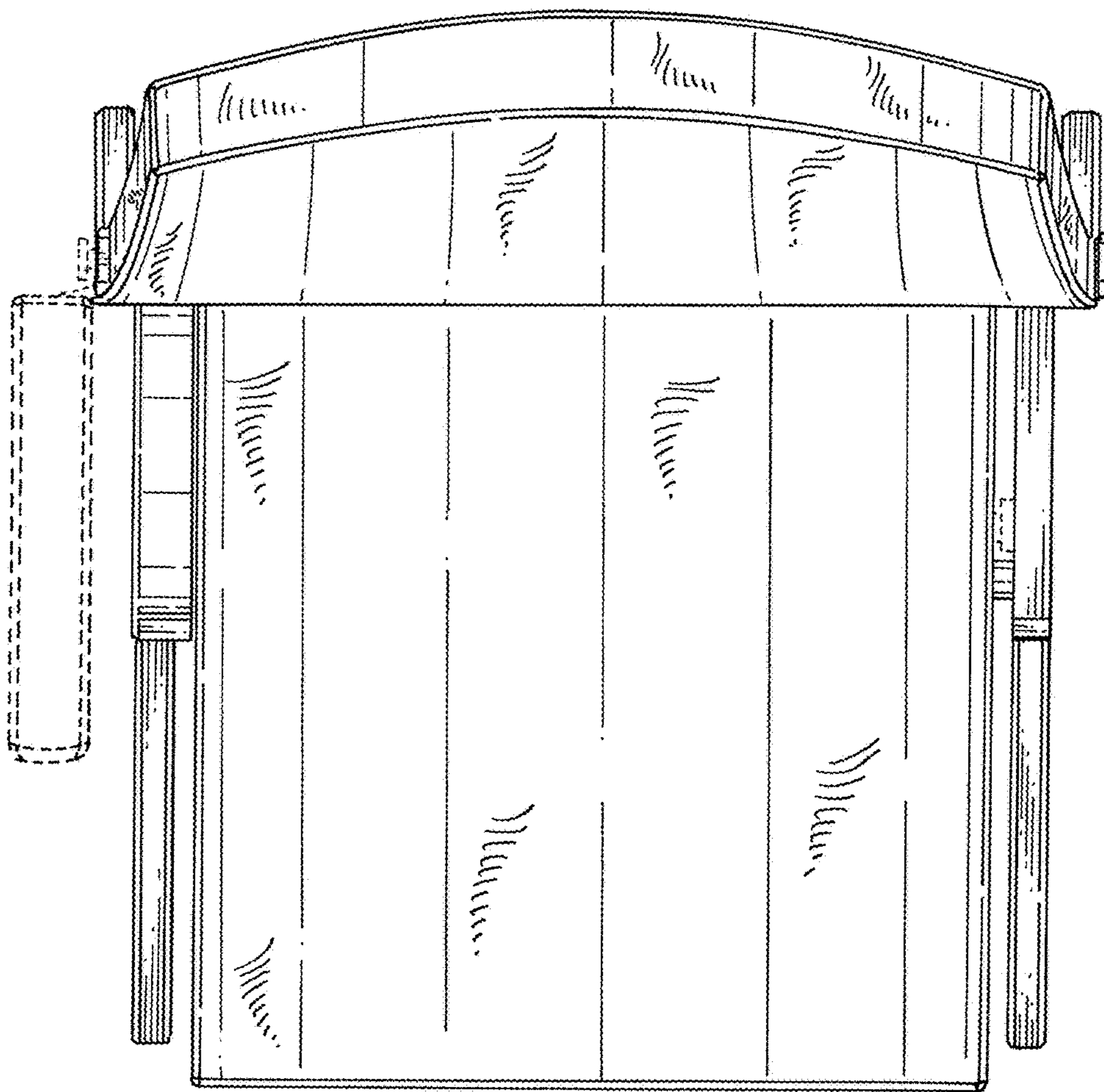
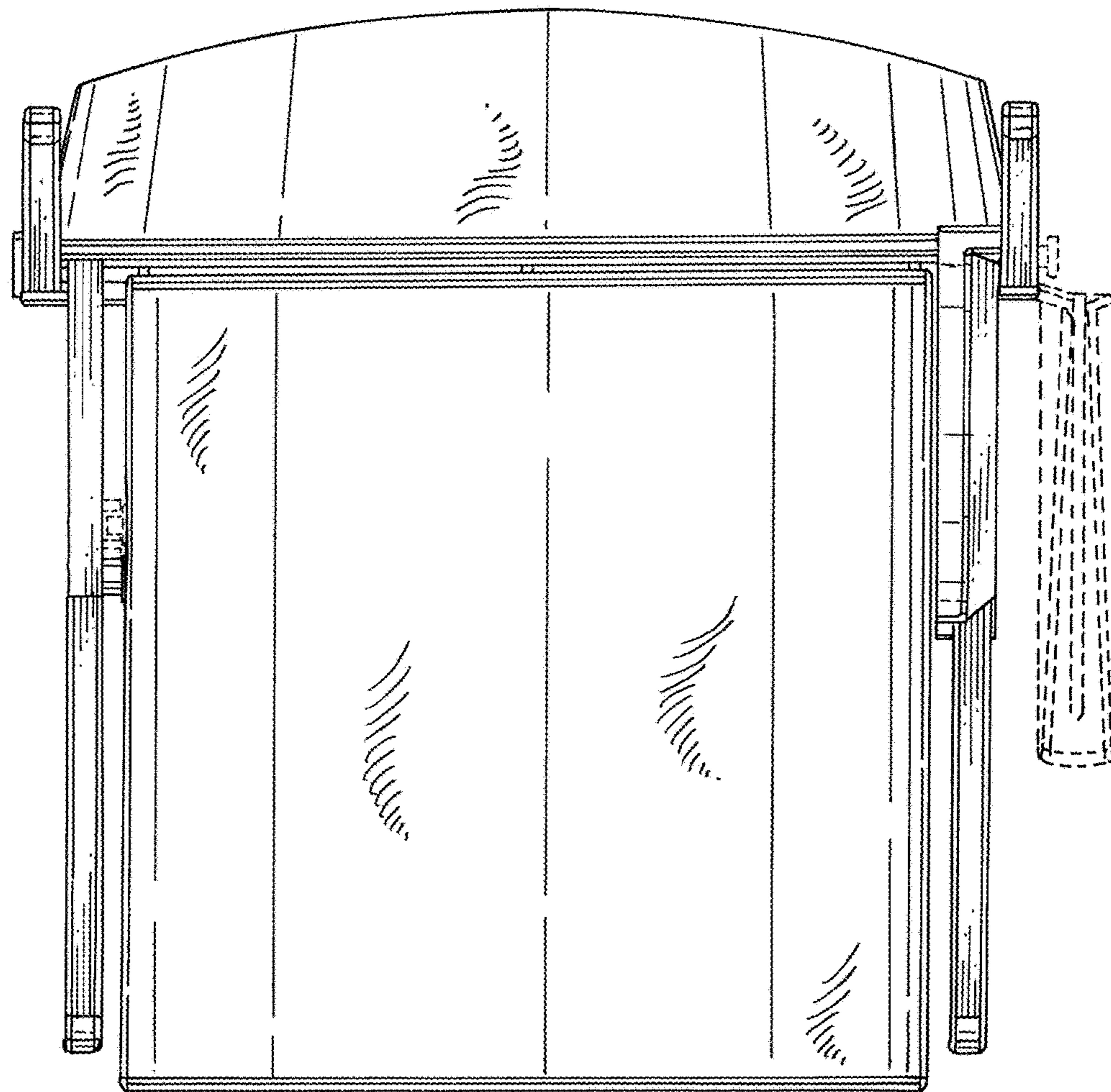
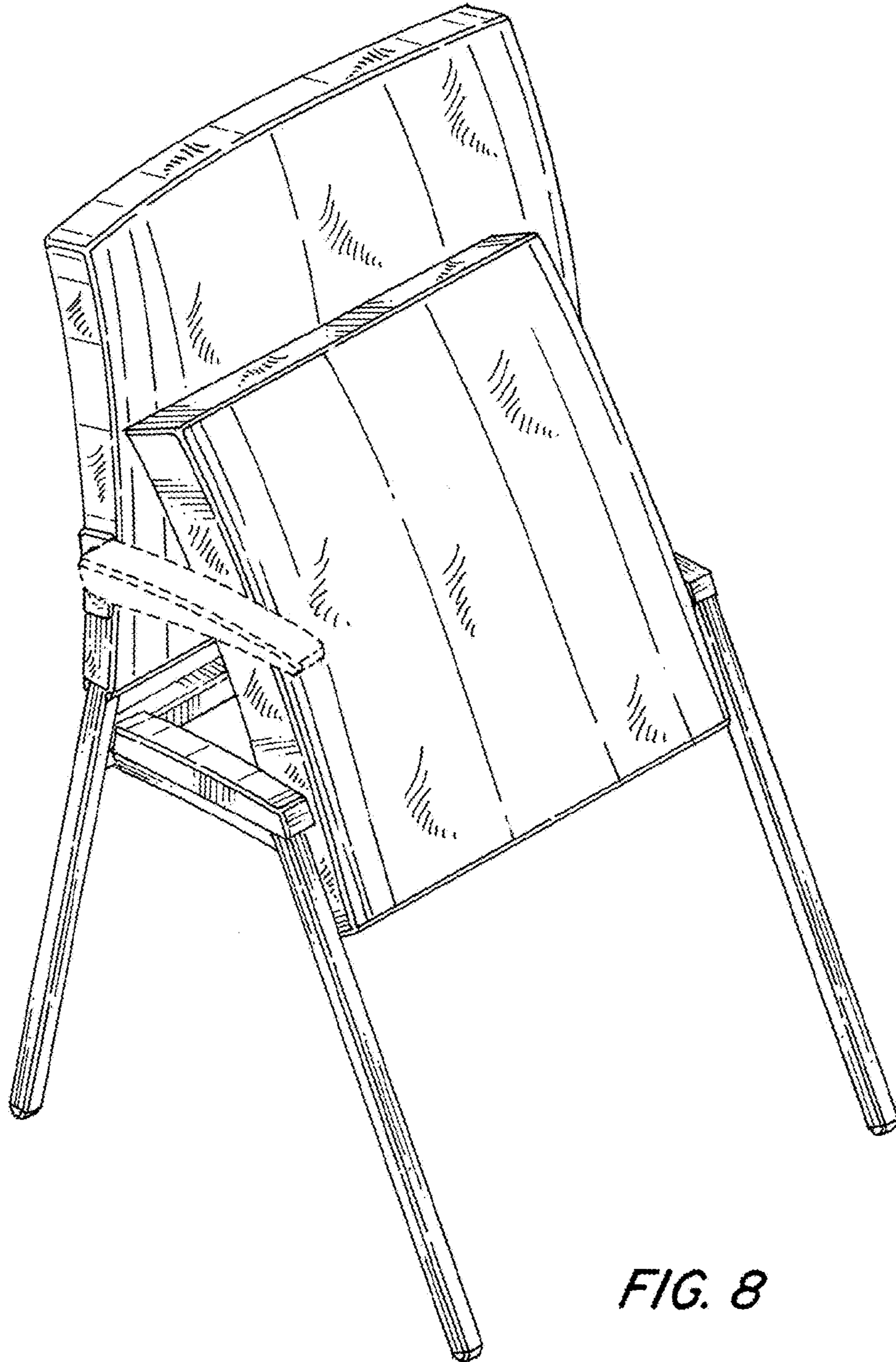


FIG. 6

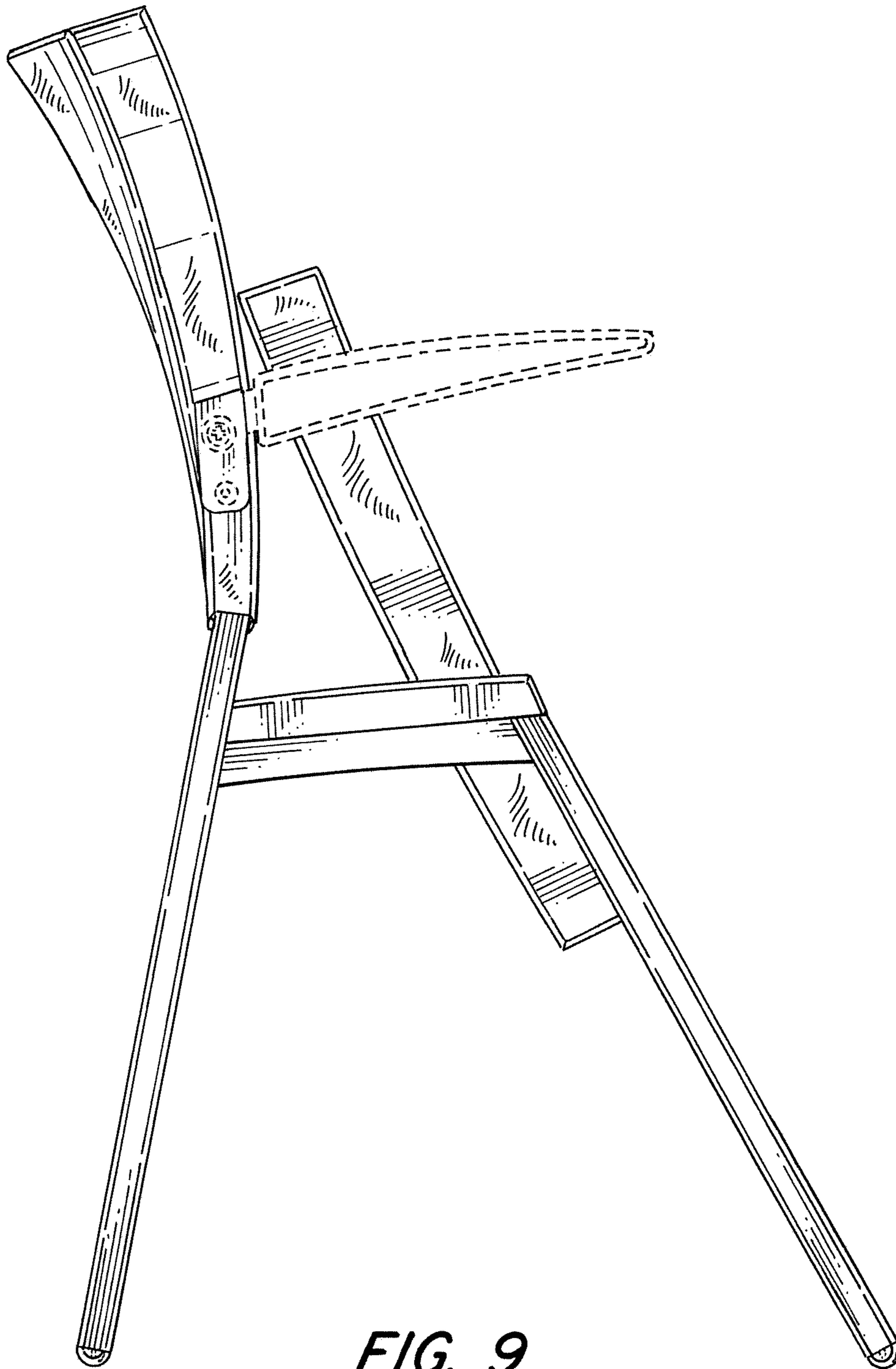




*FIG. 7*



*FIG. 8*



**FIG. 9**

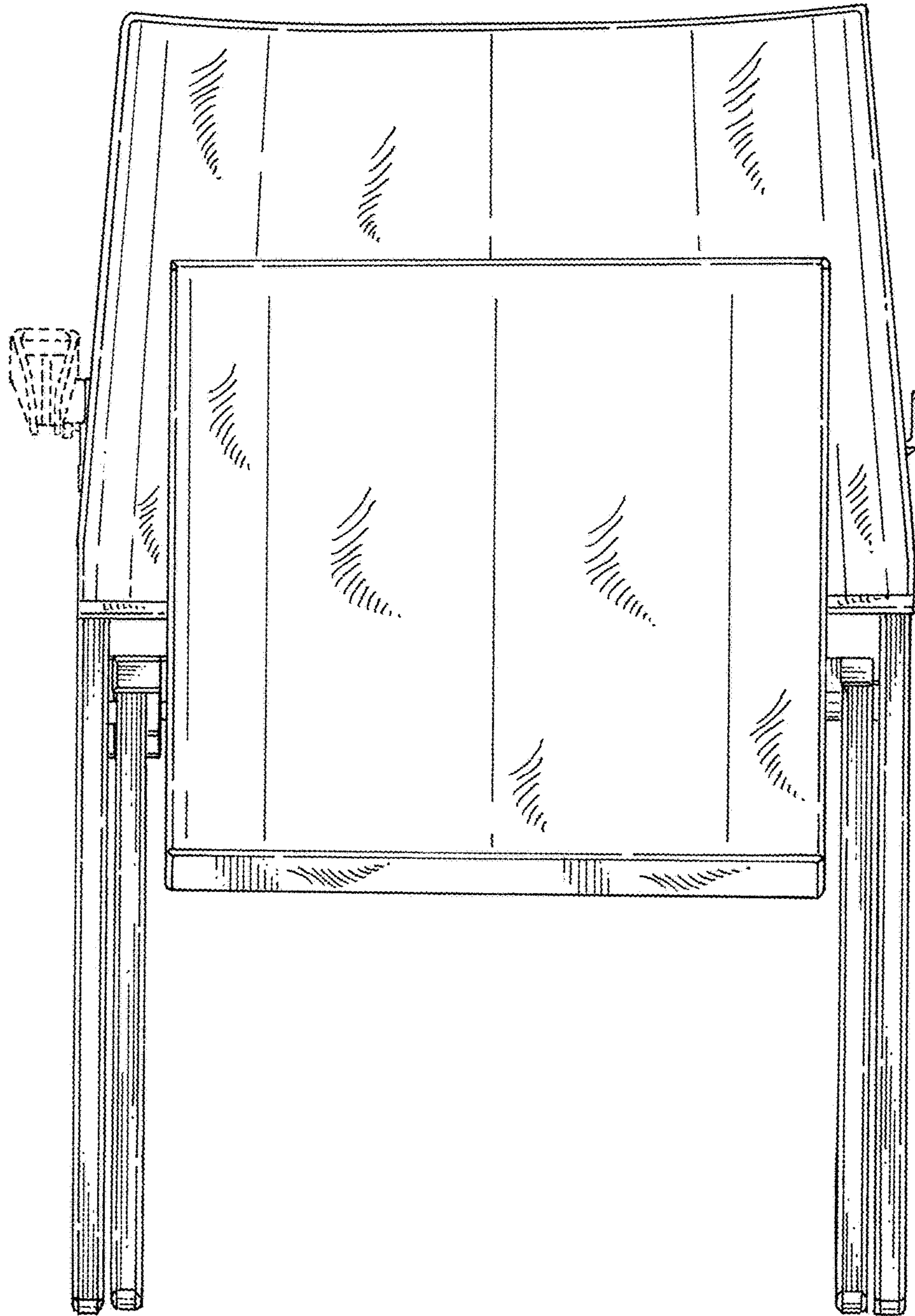
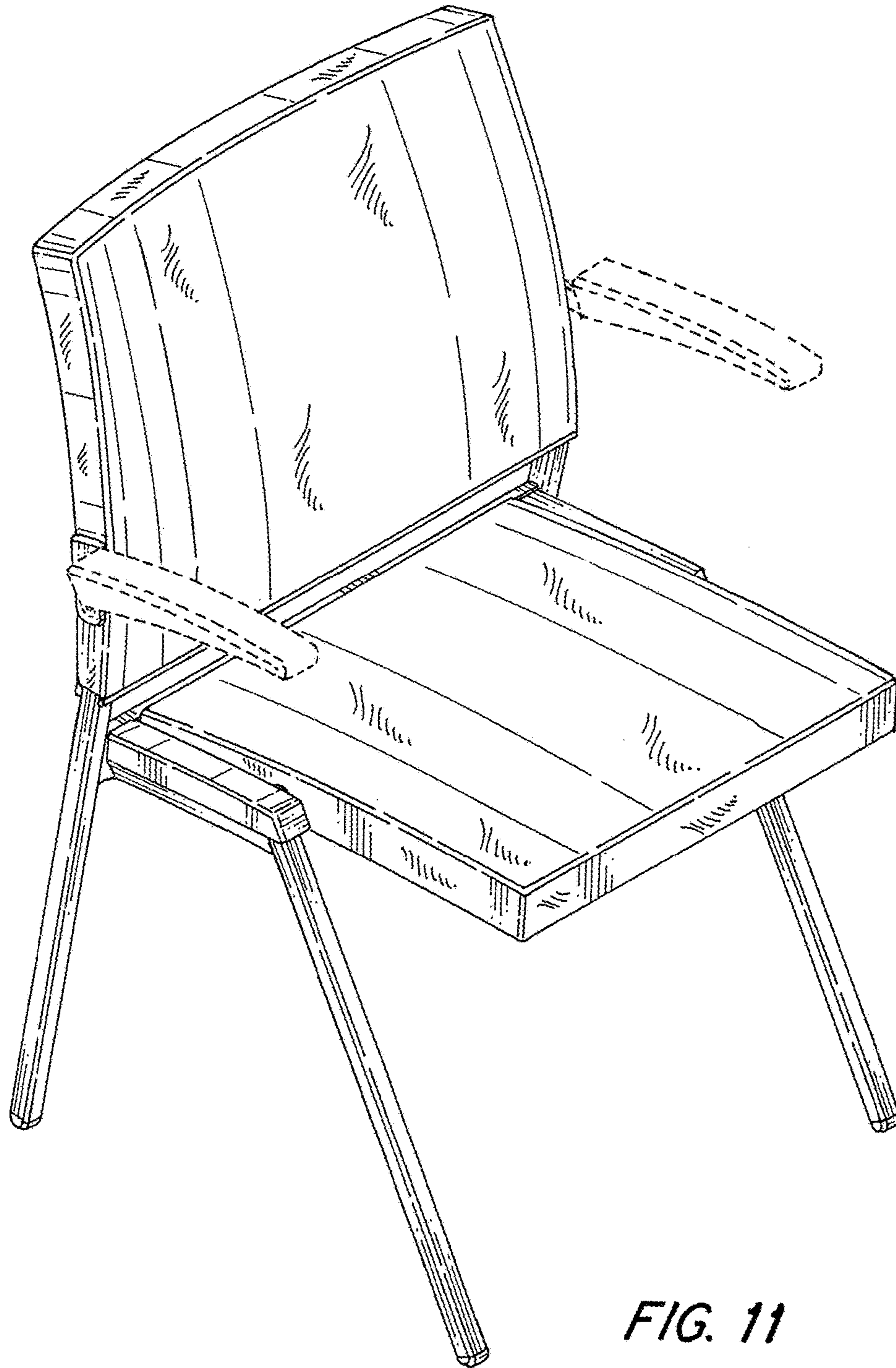


FIG. 10



*FIG. 11*