



US00D786574S

(12) **United States Design Patent** (10) **Patent No.:** **US D786,574 S**
Galiotto (45) **Date of Patent:** **** May 16, 2017**

(54) **STOOL** D357,592 S * 4/1995 Kellen D6/360
D390,026 S * 2/1998 Biecher D6/374
(71) Applicant: **NARDI SPA**, Chiampo (IT) D572,931 S * 7/2008 Frinier D6/369
D592,873 S * 5/2009 Olano Jauregui D6/373
(72) Inventor: **Raffaello Galiotto**, Chiampo (IT) D646,076 S * 10/2011 Levy D6/375
D666,015 S * 8/2012 Morrison D6/360
(73) Assignee: **Nardi SPA**, Chiampo (VI) (IT) D694,543 S * 12/2013 Chipman D6/375
D728,957 S * 5/2015 Lievore D6/373
(**) Term: **15 Years** D729,538 S * 5/2015 Kotilainen D6/375
D746,074 S * 12/2015 Chipman D6/360

(21) Appl. No.: **35/500,332**

FOREIGN PATENT DOCUMENTS

(22) Filed: **Nov. 20, 2015**

EM 001859430-0014 * 5/2011
EM 002253492-0004 * 6/2016

(80) **Hague Agreement Data**

* cited by examiner

Int. Filing Date: **Nov. 20, 2015**
Int. Reg. No.: **DM/088345**
Int. Reg. Date: **Nov. 20, 2015**
Int. Reg. Pub. Date: **Dec. 4, 2015**

Primary Examiner — Mary Ann Calabrese
(74) *Attorney, Agent, or Firm* — Workman Nydegger

(30) **Foreign Application Priority Data**

(57) **CLAIM**

Sep. 11, 2015 (EM) 002770826

(51) **LOC (10) Cl.** **06-01**

The ornamental design for a stool, as shown and described.

(52) **U.S. Cl.**
USPC **D6/360**

(58) **Field of Classification Search**
USPC D6/349, 334, 360, 372–375, 379
CPC A47C 3/12; A47C 5/00; A47C 5/06; A47C
5/12; A47C 7/16; A47C 7/54
See application file for complete search history.

DESCRIPTION

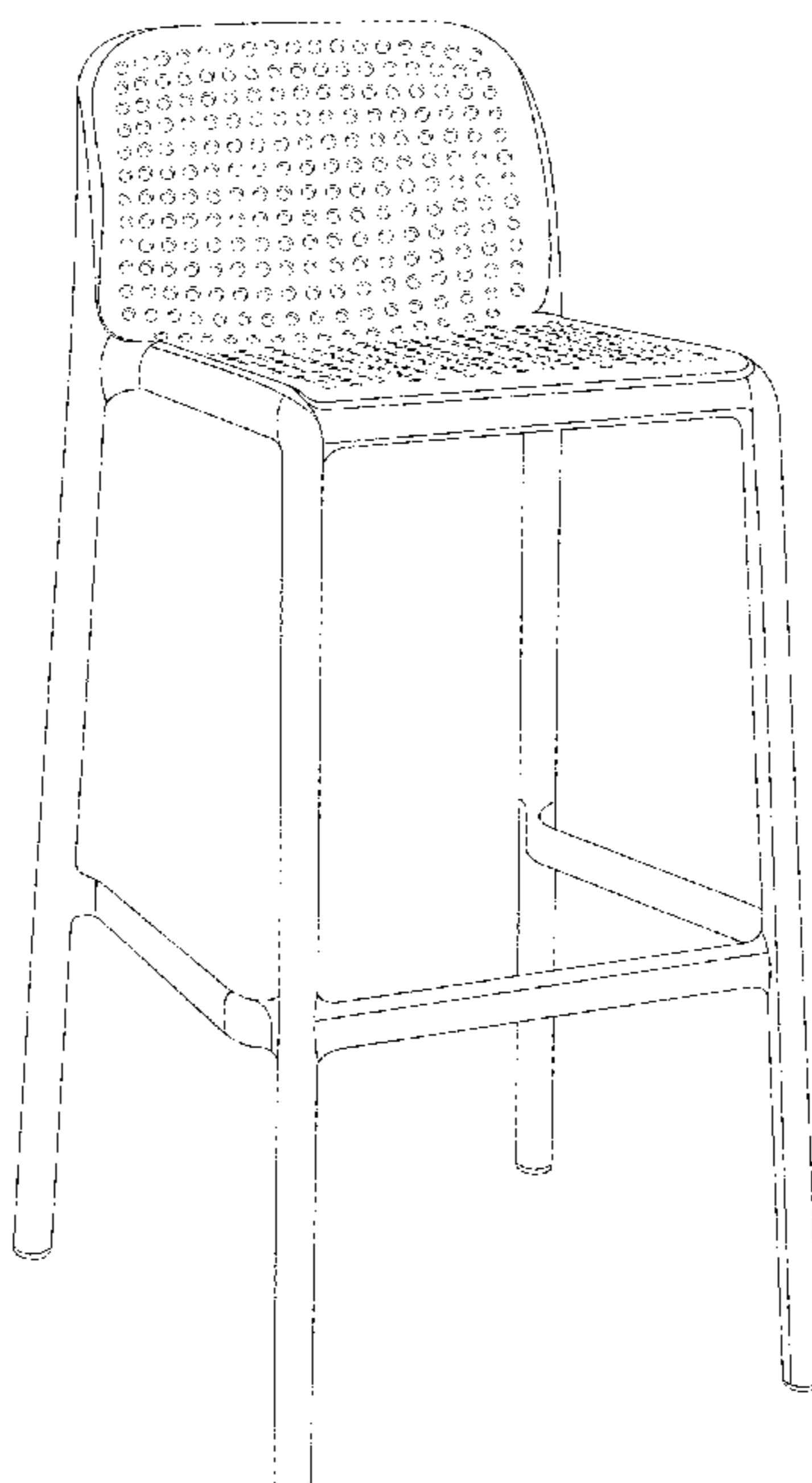
Figure 1.1 is a perspective view of a stool showing my new design;
Figure 1.2 is a front perspective view thereof;
Figure 1.3 is a left side perspective view thereof;
Figure 1.4 is a rear perspective view thereof; and
Figure 1.5 is a top plan view thereof.

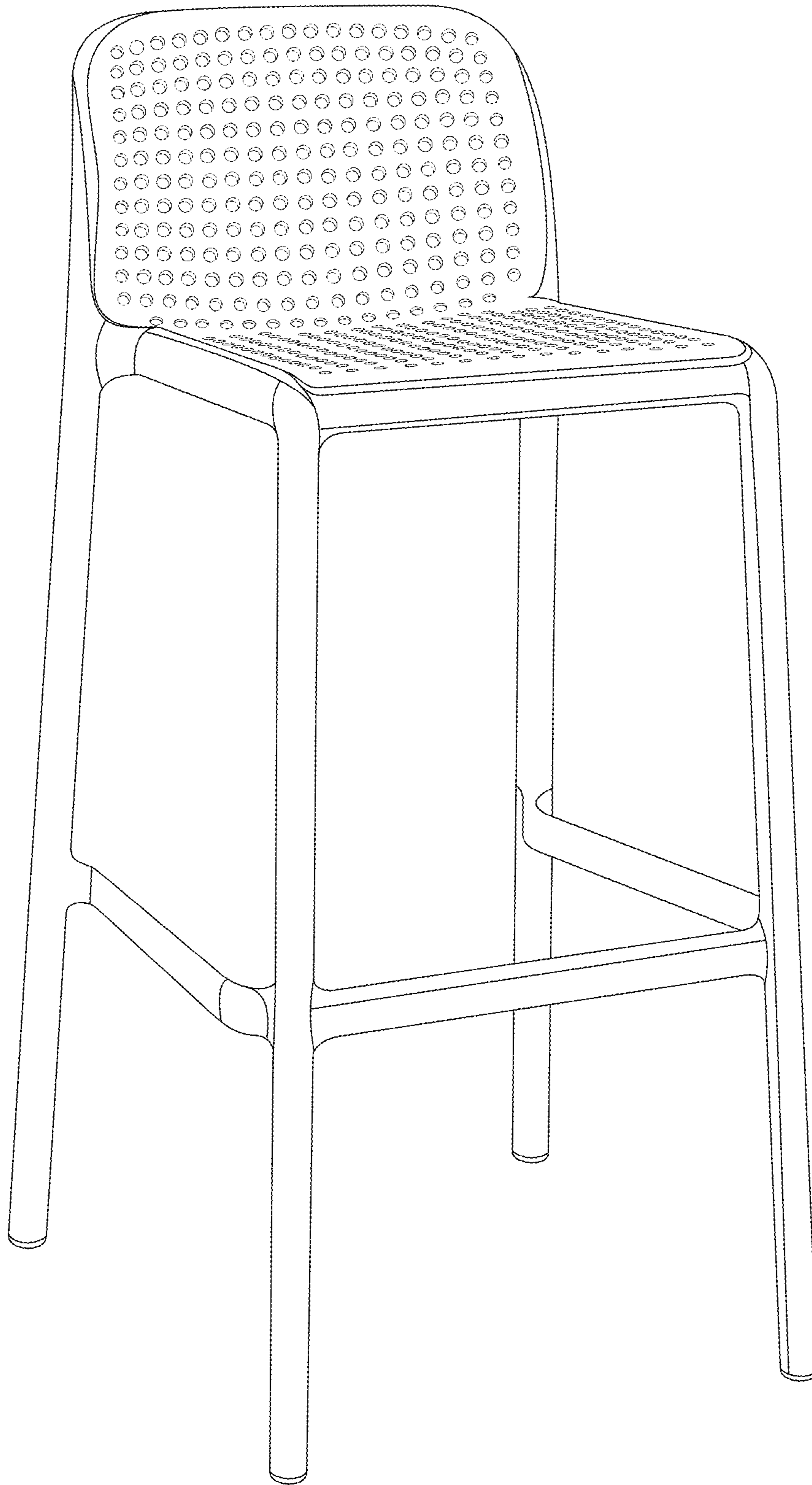
(56) **References Cited**

U.S. PATENT DOCUMENTS

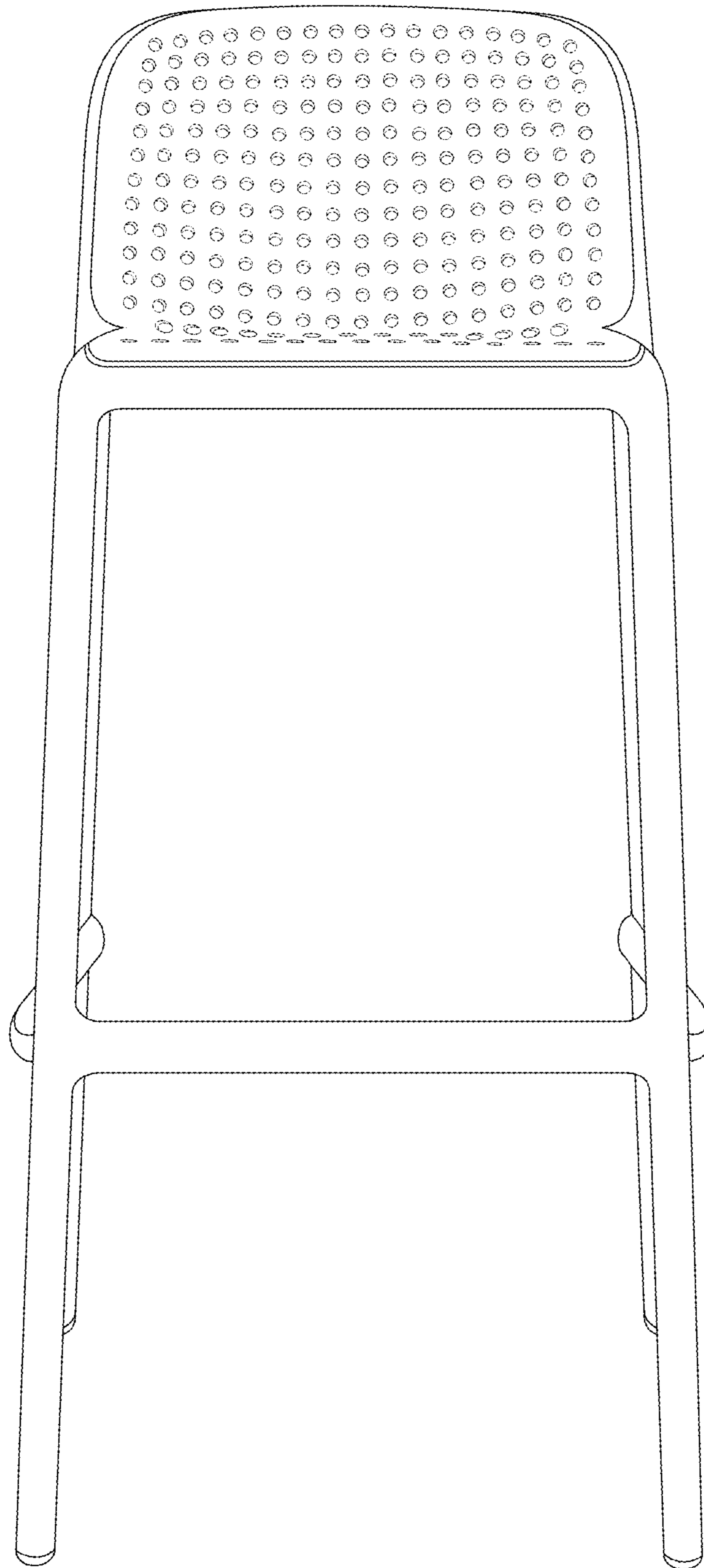
3,146,028 A * 8/1964 Grosfillex A47C 3/12
297/440.22
D248,810 S * 8/1978 Day D6/356

1 Claim, 5 Drawing Sheets

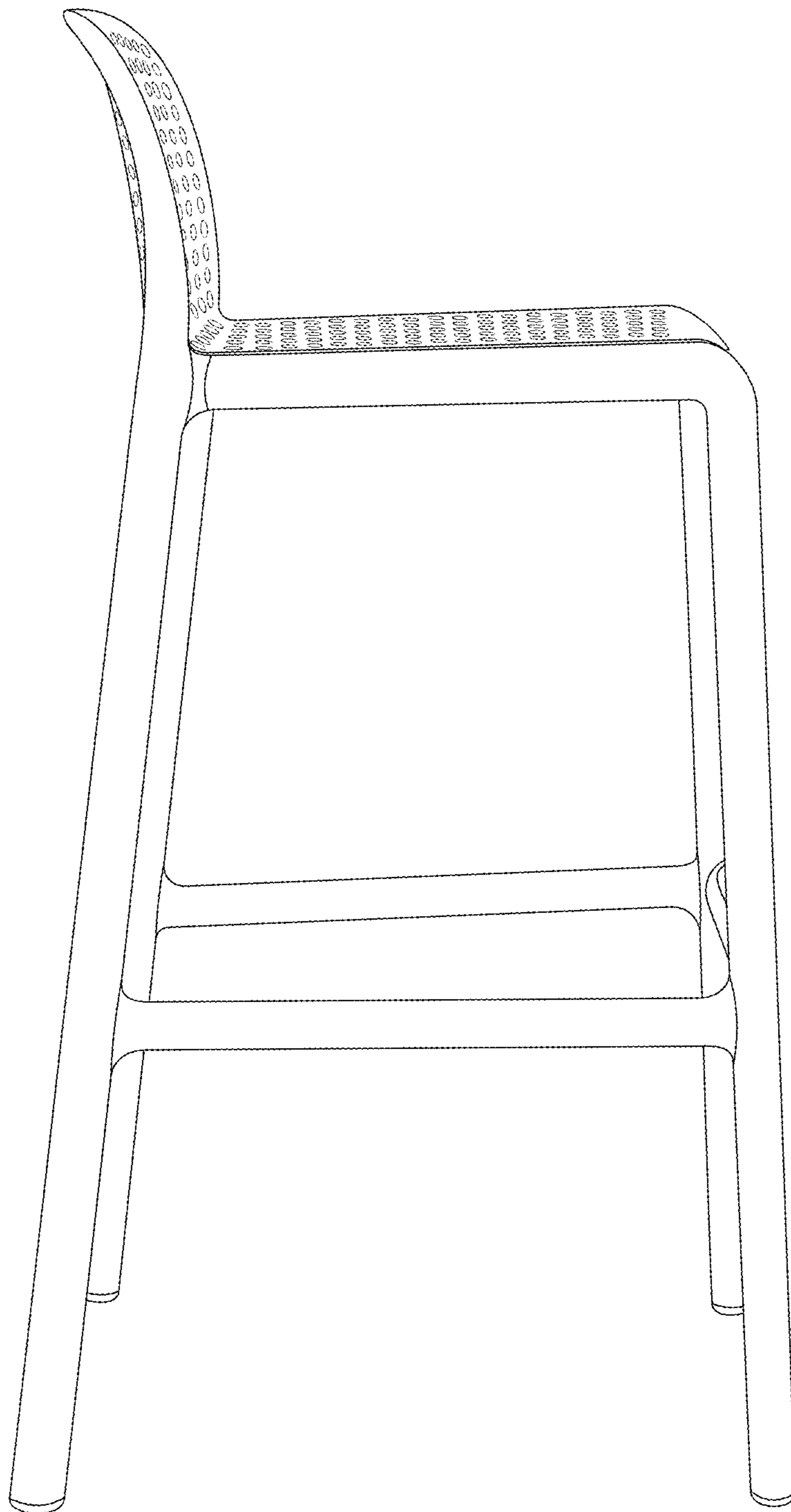




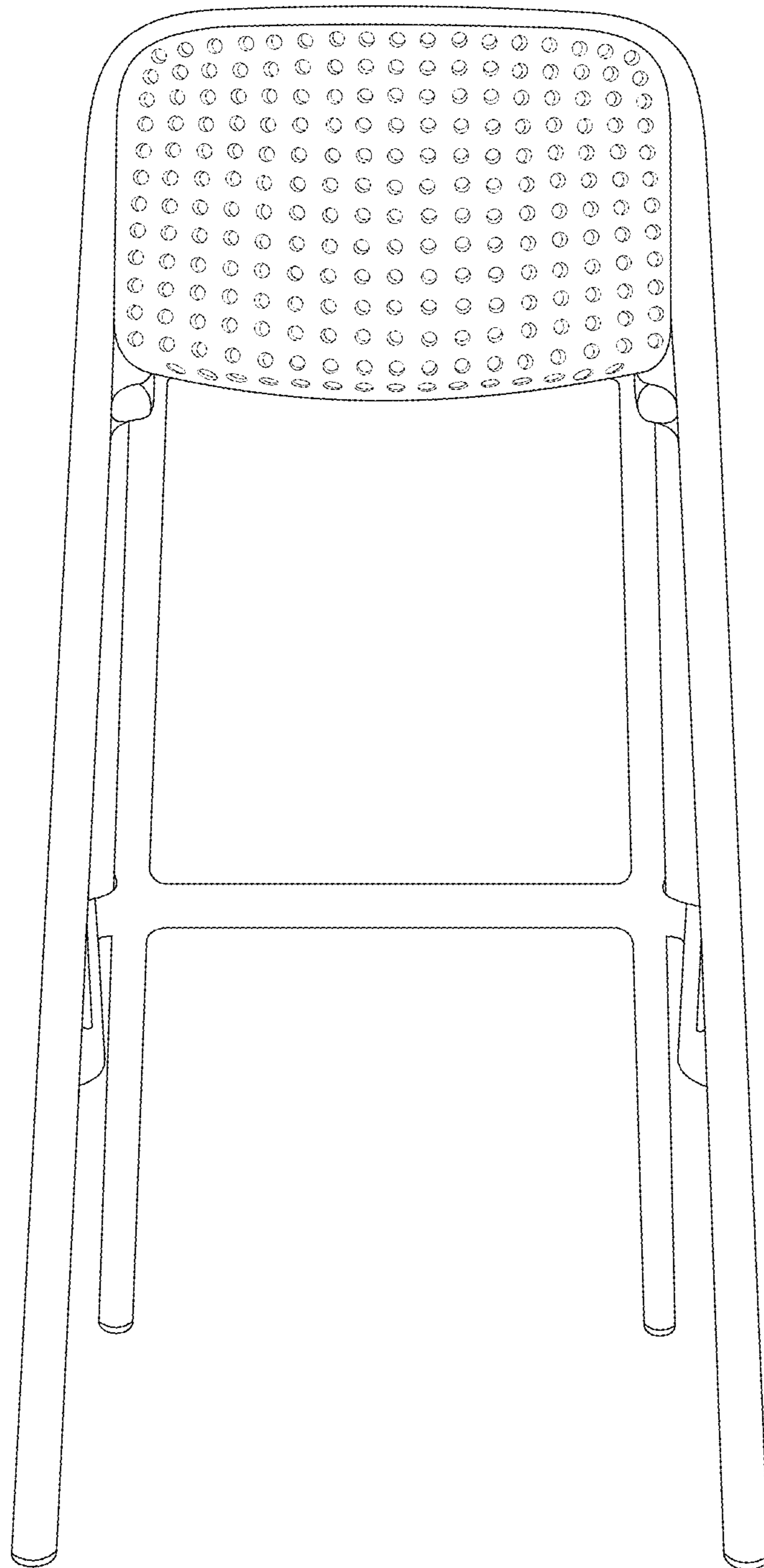
1.1



1.2



1.3



1.4

