



US00D786572S

(12) **United States Design Patent**
Shen et al.

(10) **Patent No.:** **US D786,572 S**

(45) **Date of Patent:** **** May 16, 2017**

(54) **ROCKING BED**

(71) Applicant: **Jarder Outdoor Ningbo Co., Ltd.**,
Ningbo (CN)

(72) Inventors: **Jiahuan Shen**, Ningbo (CN); **Ping Bao**,
Ningbo (CN)

(73) Assignee: **Jarder Outdoor Ningbo Co., Ltd.**,
Ningbo (CN)

(**) Term: **15 Years**

(21) Appl. No.: **29/537,722**

(22) Filed: **Aug. 28, 2015**

(30) **Foreign Application Priority Data**

May 13, 2015 (CN) 2015 3 0140200

(51) **LOC (10) Cl.** **06-01**

(52) **U.S. Cl.**
USPC **D6/347; D6/385**

(58) **Field of Classification Search**
USPC D6/329, 331-335, 344, 347, 348, 354,
D6/360-362, 371-375, 377, 379, 382,
D6/383, 385, 386, 387, 389, 392, 394,
D6/395, 406.1, 406.2, 406.3, 406.6,
D6/716-716.8, 718, 718.12, 718.26,
D6/718.28, 718.29; D21/823
CPC A45F 3/22; A45F 3/24; A45F 3/26; A47C
3/12; A47C 3/023; A47C 3/025; A47C
3/029; A47C 3/0252; A47C 3/0255; A47C
5/04; A63G 9/00; A63G 9/12
See application file for complete search history.

(56) **References Cited**

U.S. PATENT DOCUMENTS

D437,127 S * 2/2001 Bradt D6/348
D531,826 S * 11/2006 Nutsos D6/347

D660,608 S * 5/2012 Hasman D6/347
D705,552 S * 5/2014 Zheng D6/347
D734,046 S * 7/2015 Shen D6/347
D734,620 S * 7/2015 Fang D6/347
D766,001 S * 9/2016 Stoter D6/347
D771,962 S * 11/2016 Weng D6/347
D774,786 S * 12/2016 Stoter D6/347
D778,076 S * 2/2017 Shen D6/347
2006/0003849 A1 * 1/2006 Habing A47C 3/0255
472/125
2015/0216309 A1 * 8/2015 Habing A47C 1/14
472/118

OTHER PUBLICATIONS

Modern Garden Hammock Lounge Chair (available online)
Retrieved from the internet Oct. 19, 2016, retrieved from the
internet URL: https://www.alibaba.com/product-detail/Modern-garden-hammock-lounge-chair-hanging_60212993511.html.*

* cited by examiner

Primary Examiner — Cathron Brooks
Assistant Examiner — Richard Kearney
(74) *Attorney, Agent, or Firm* — Wang Law Firm, Inc.

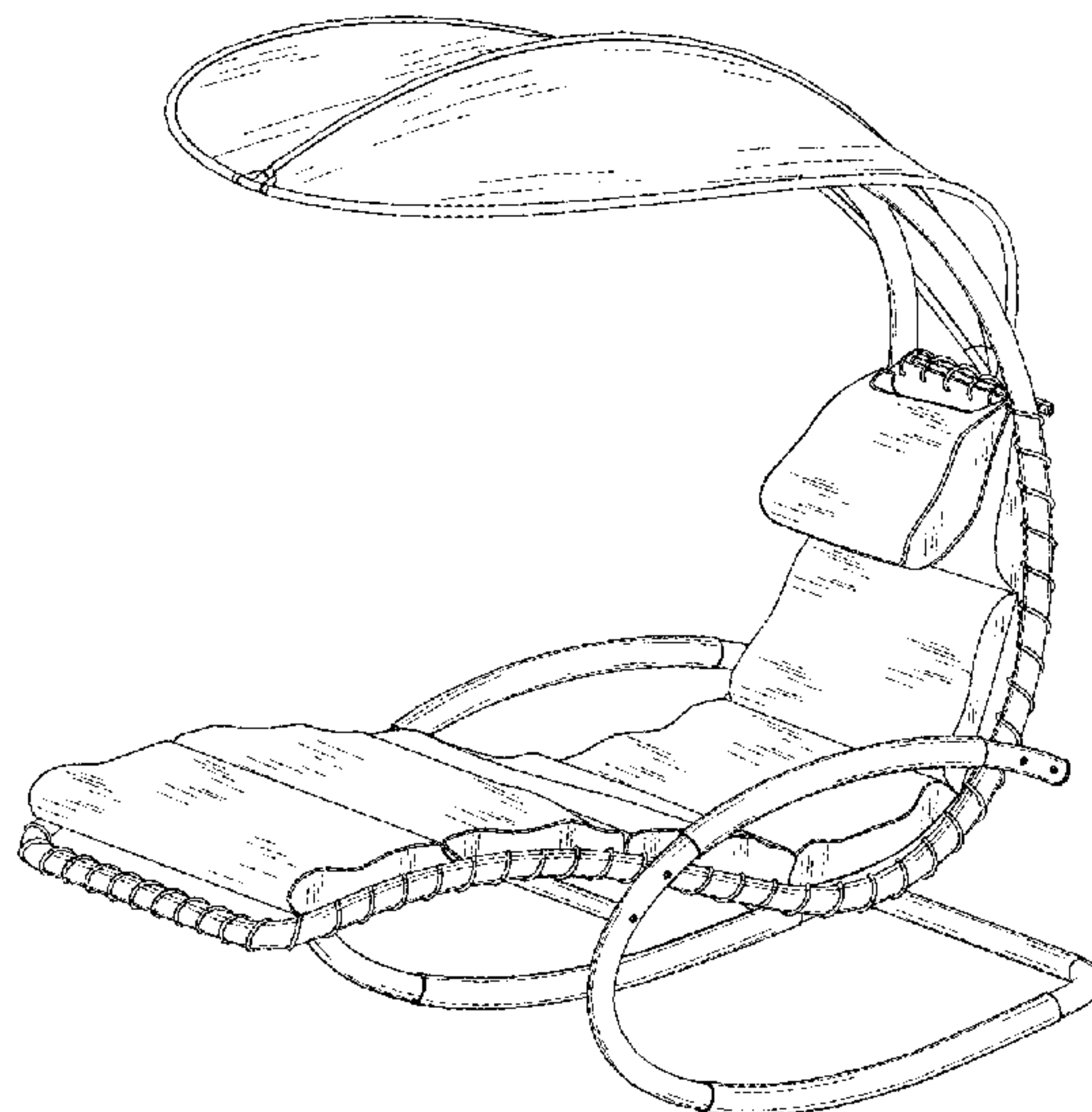
(57) **CLAIM**

The ornamental design for a rocking bed, as shown and described.

DESCRIPTION

FIG. 1 is a rear view showing my new design;
FIG. 2 is a right view thereof;
FIG. 3 is a left view thereof;
FIG. 4 is a frontal view thereof;
FIG. 5 is a top view thereof;
FIG. 6 is a bottom view thereof; and,
FIG. 7 is a perspective view thereof.
The broken lines shown in the drawings illustrate portions of the rocking bed which form no part of the claimed design.

1 Claim, 4 Drawing Sheets



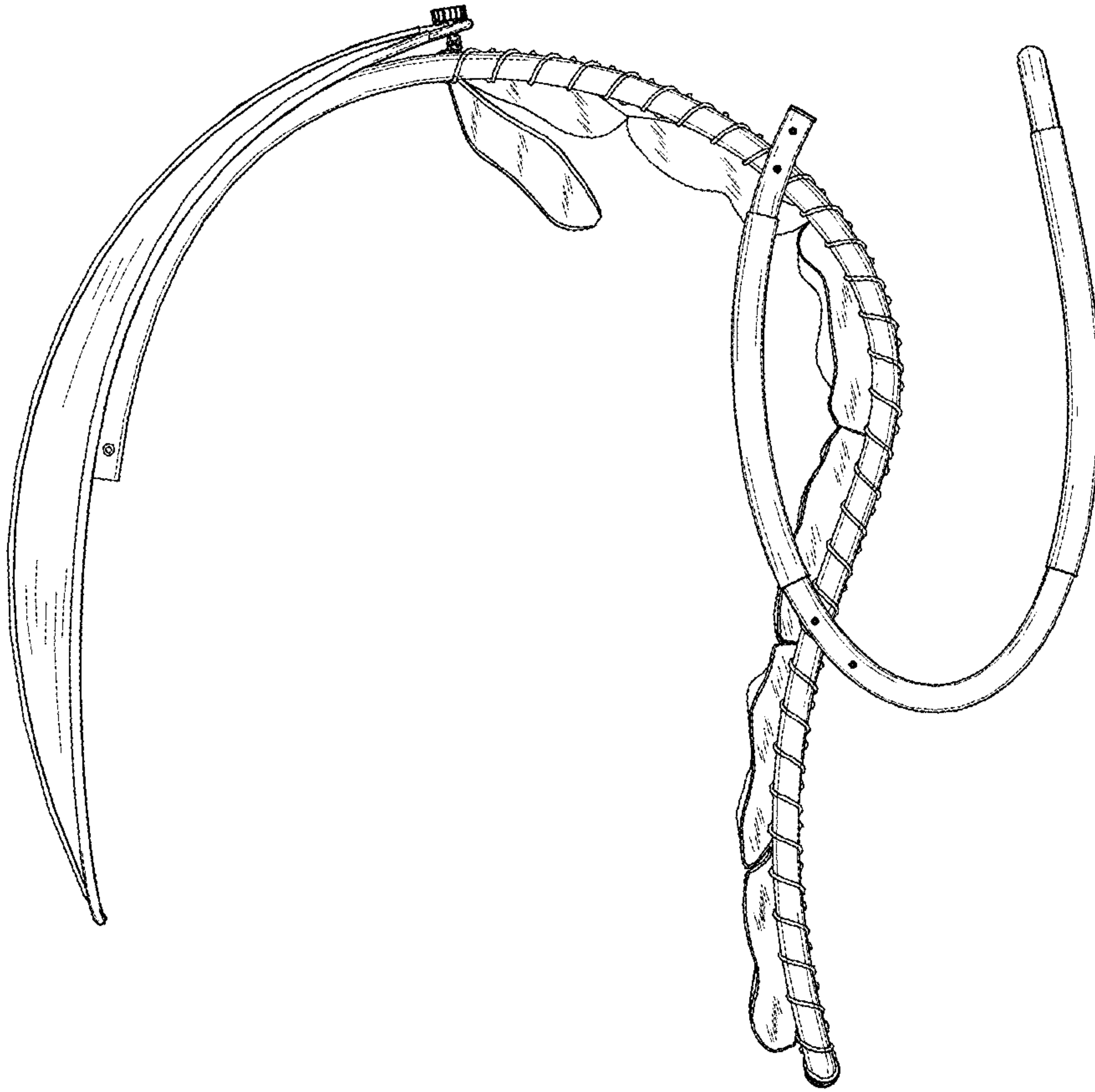


FIG. 2

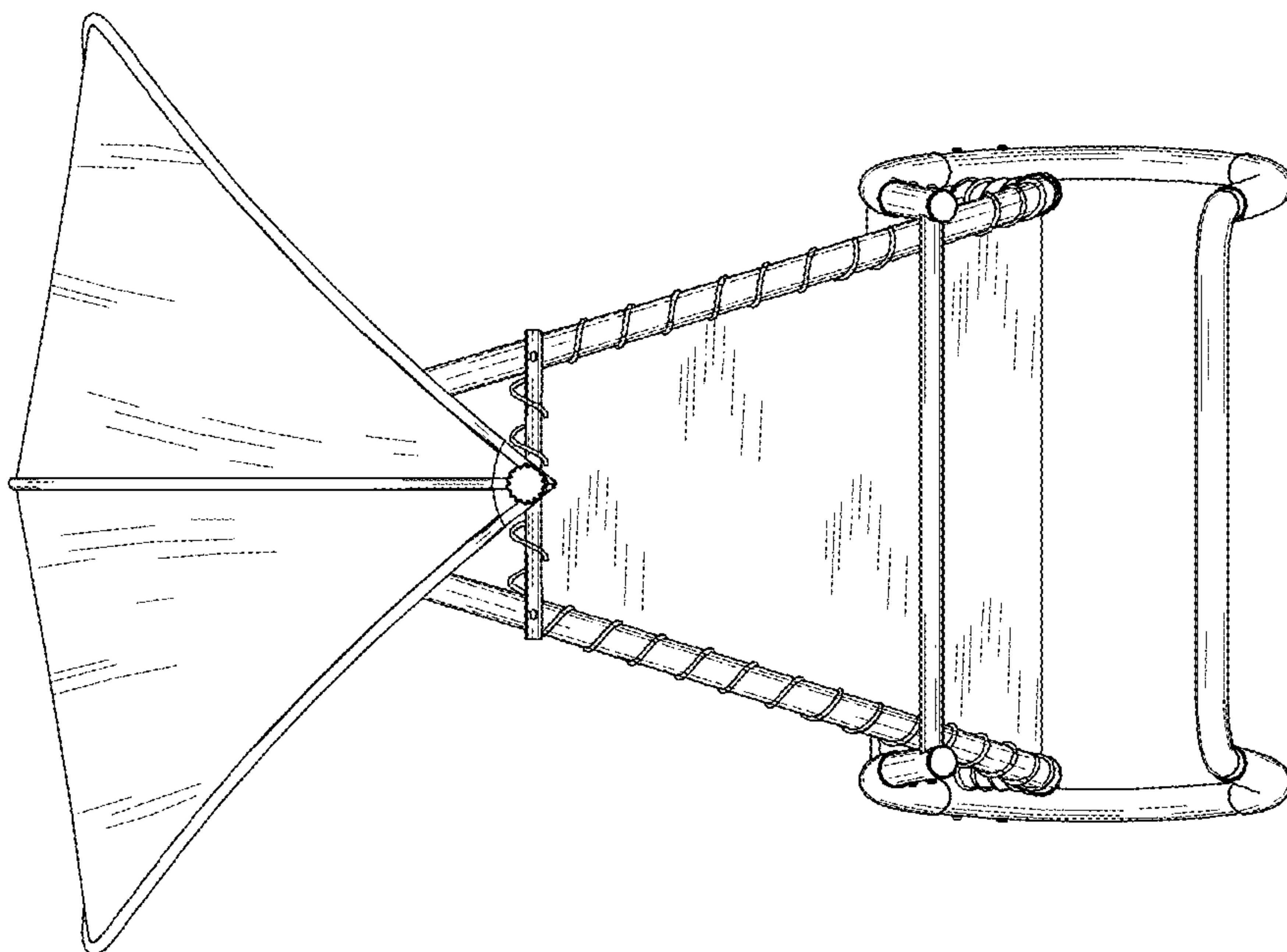


FIG. 1

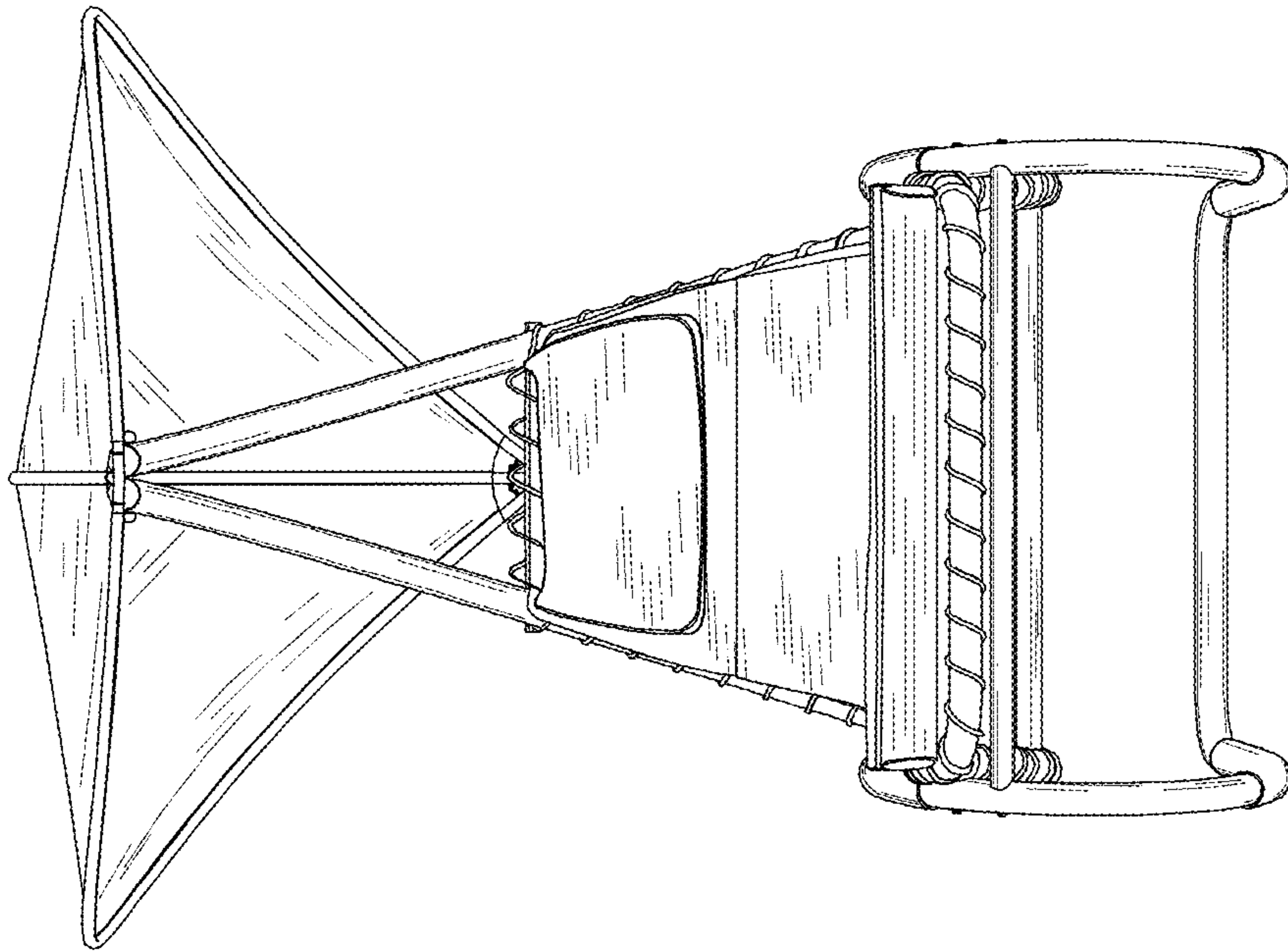


FIG. 4

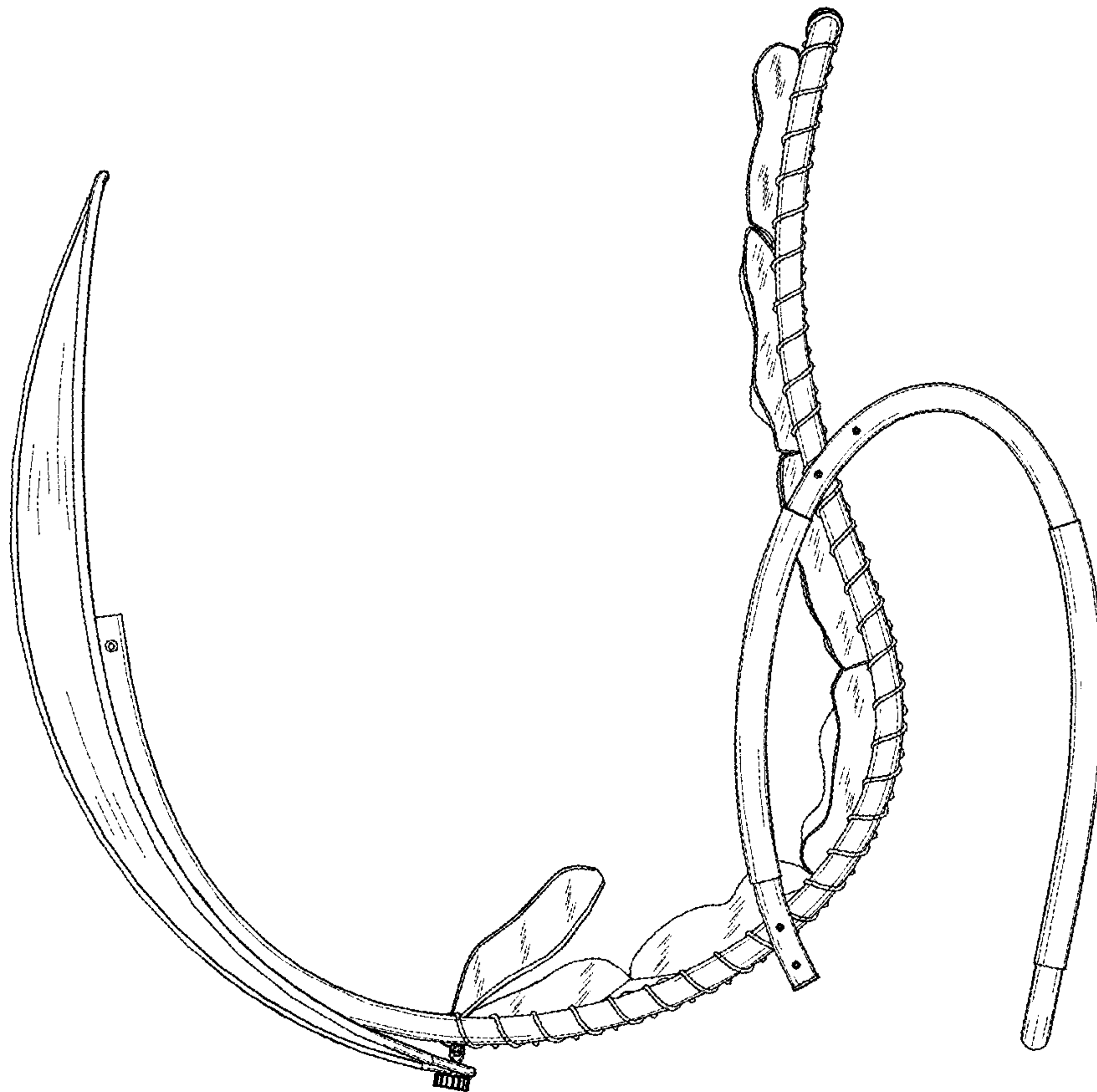


FIG. 3

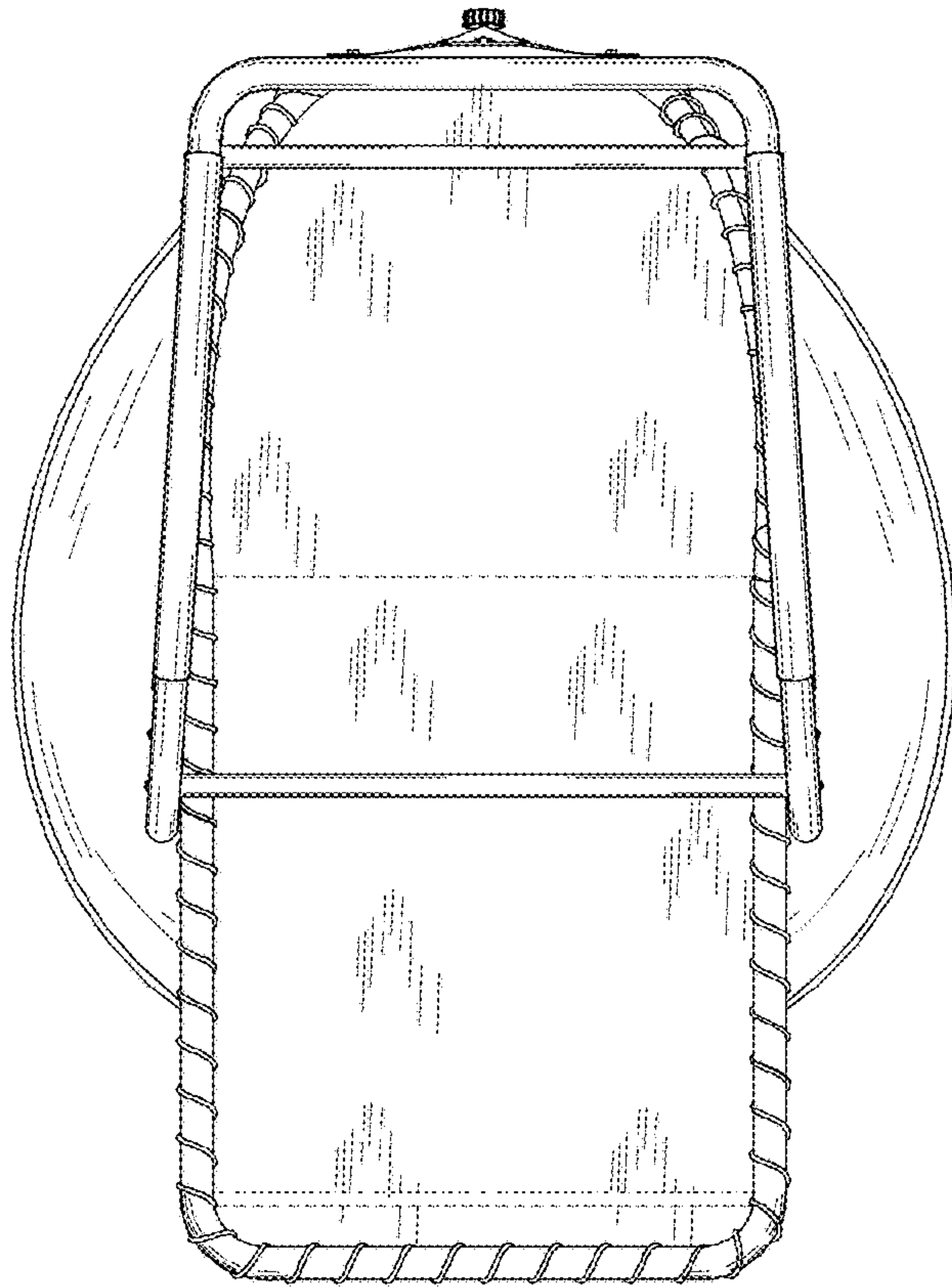


FIG. 6

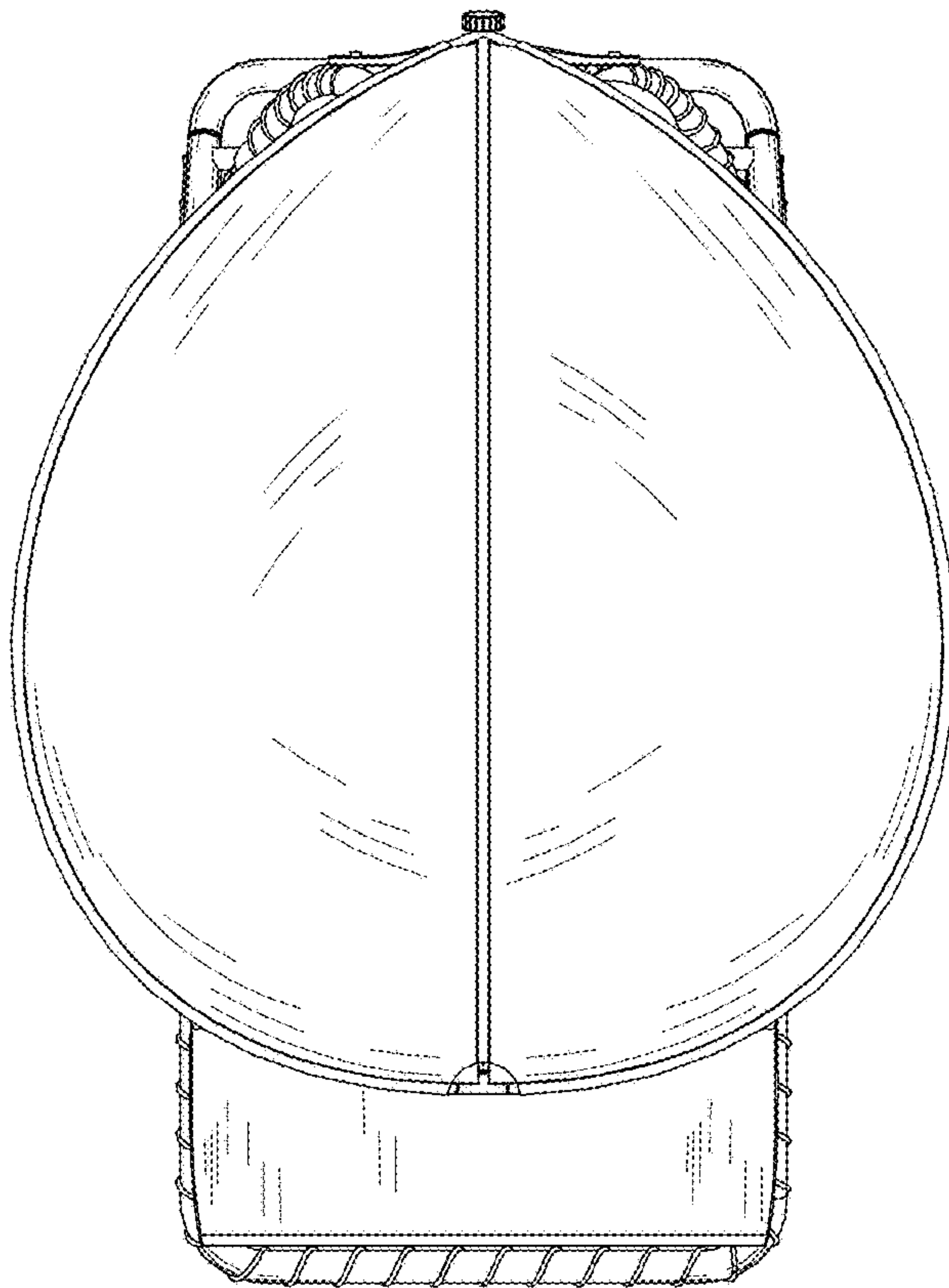


FIG. 5

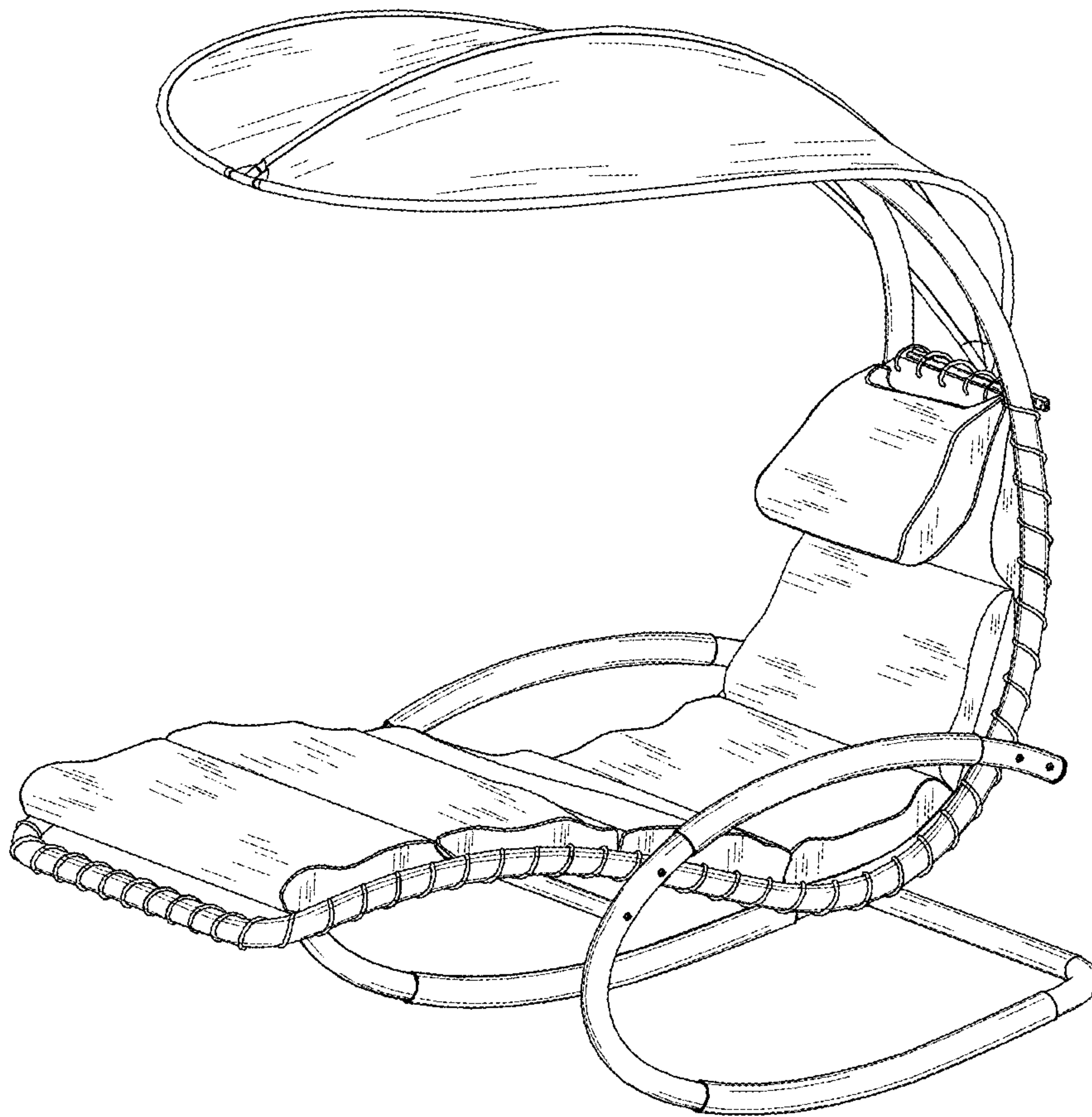


FIG. 7