



US00D786571S

(12) **United States Design Patent** (10) **Patent No.:** **US D786,571 S**
Webb (45) **Date of Patent:** **** May 16, 2017**

(54) **OFFICE FURNITURE**

(71) Applicant: **Roger Webb**, London (GB)

(72) Inventor: **Roger Webb**, London (GB)

(73) Assignee: **ROGER WEBB ASSOCIATES LTD.**,
London (GB)

(**) Term: **14 Years**

(21) Appl. No.: **29/511,602**

(22) Filed: **Dec. 11, 2014**

(30) **Foreign Application Priority Data**

Jun. 12, 2014	(EM)	002481788-0002
Jun. 12, 2014	(EM)	002481788-0003
Jun. 12, 2014	(EM)	002481788-0004
Jun. 12, 2014	(EM)	002481788-0005
Jun. 12, 2014	(EM)	002481788-0006
Jun. 12, 2014	(EM)	002481788-0007
Jun. 12, 2014	(EM)	002481788-0008
Jun. 12, 2014	(EM)	002481788-0009
Jun. 12, 2014	(EM)	002481788-0010
Jun. 12, 2014	(EM)	002481788-0011
Jun. 12, 2014	(EM)	002481788-0012
Jun. 12, 2014	(EM)	002481788-0013
Jun. 12, 2014	(EM)	002481788-0014
Jun. 12, 2014	(EM)	002481788-0015
Jun. 12, 2014	(EM)	002481788-0016

(Continued)

(51) **LOC (10) Cl.** **06-01**

(52) **U.S. Cl.**
USPC **D6/337**

(58) **Field of Classification Search**
USPC D6/334, 335, 336, 338, 349, 355, 381,
D6/716, 716.1, 356, 640, 641, 642, 643,

(Continued)

(56) **References Cited**

U.S. PATENT DOCUMENTS

D148,242 S * 12/1947 Horsewood D6/336
3,811,728 A * 5/1974 Redemske A47B 83/00
297/440.14

(Continued)

Primary Examiner — Sandra Snapp

(74) *Attorney, Agent, or Firm* — Abelman, Frayne & Schwab

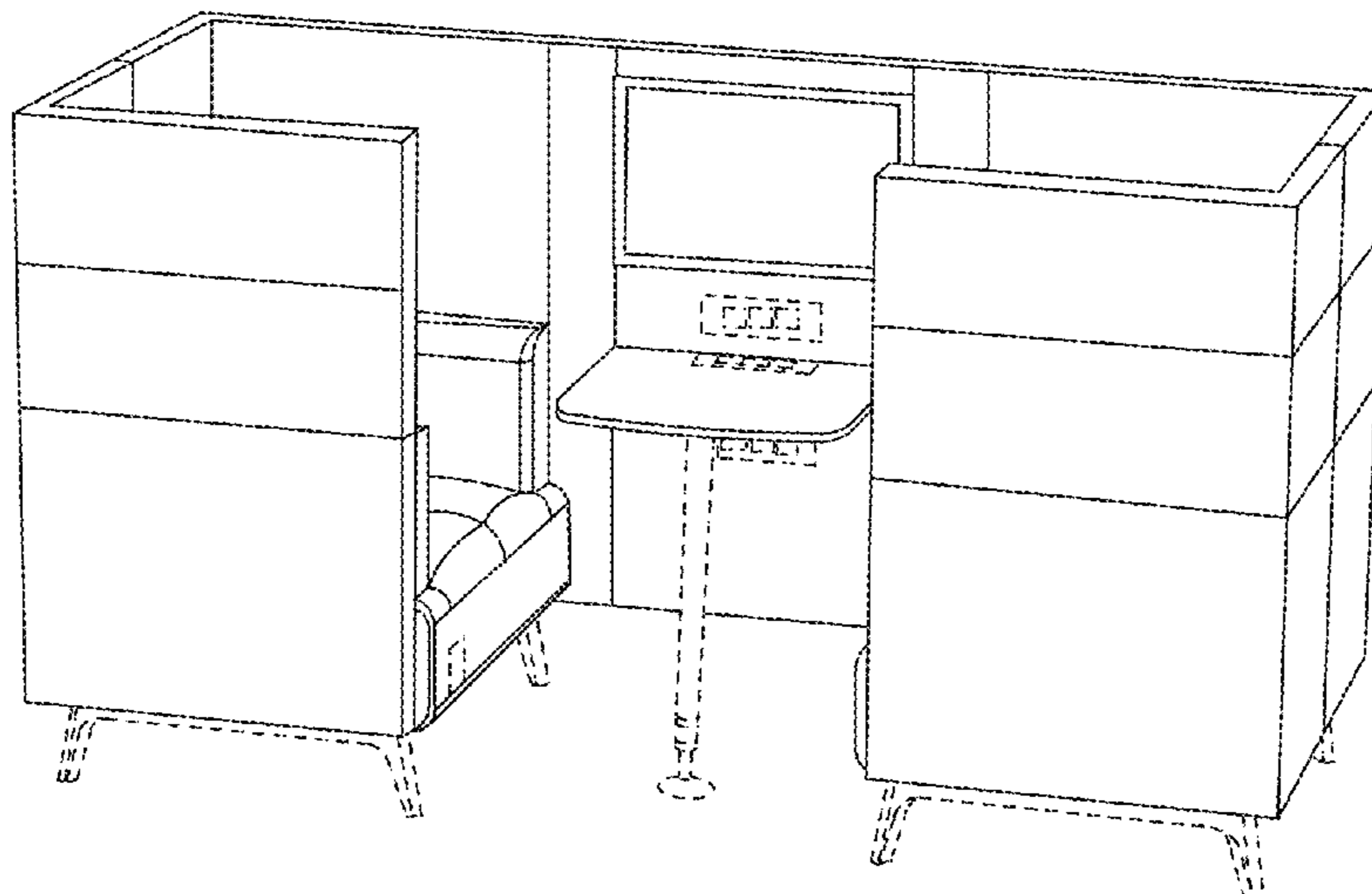
(57) **CLAIM**

What is claimed the ornamental design for office furniture, as shown and described.

DESCRIPTION

FIG. 1 is a top rear and left side perspective view of a first embodiment of the office furniture of my new design, FIG. 2 is a top front perspective view thereof, FIG. 3 is a top front and right side perspective view thereof, FIG. 4 is a front elevation view thereof, FIG. 5 is a right side elevation view thereof; FIG. 6 is a top plan view thereof, and FIG. 7 is a rear end elevation view thereof FIG. 8 is a top front right side perspective view of a second embodiment of the office furniture of my new design, FIG. 9 is a top rear left side perspective view thereof, FIG. 10 is a top front perspective view thereof FIG. 11 is a left side elevation view thereof, FIG. 12 is a front elevation view thereof, FIG. 13 is a top plan view thereof, and FIG. 14 is a rear elevation view thereof. FIG. 15 is a top rear left side perspective view of a third embodiment of the office furniture of my new design, FIG. 16 is a top front perspective view thereof, FIG. 17 is a top front left side perspective view thereof FIG. 18 is a front elevation view thereof FIG. 19 is a rear elevation view thereof FIG. 20 is a left side elevation view thereof; and, FIG. 21 is a top plan view thereof. The portions of the drawings shown in broken lines are for illustrative purposes only and form no part of the claimed design.

1 Claim, 15 Drawing Sheets



(30) Foreign Application Priority Data

Jun. 12, 2014 (EM) 002481788-0017
 Jun. 12, 2014 (EM) 002481788-0018
 Jun. 12, 2014 (EM) 002481788-0019
 Jun. 12, 2014 (EM) 002481788-0020

(58) Field of Classification Search

USPC D6/643.1, 644; 297/118, 119, 135, 144,
 297/232, 445.1, 448.1, 452.18, 156, 175,
 297/216.1; 5/12.1, 12.2
 CPC .. A47C 1/02; A47C 1/12; A47C 11/00; A47C
 17/00; A47C 17/02; A47C 4/52; A47C
 9/00

See application file for complete search history.

(56) References Cited

U.S. PATENT DOCUMENTS

D247,595 S * 3/1978 Corson D6/381
 D279,237 S * 6/1985 Balonick D6/335
 D286,956 S * 12/1986 Lockwood D25/16

6,447,067 B1 * 9/2002 Williams A47C 4/021
 297/184.11
 D476,819 S * 7/2003 Williams D6/334
 D480,883 S * 10/2003 Williams D6/334
 D482,535 S * 11/2003 Williams D6/334
 D482,536 S * 11/2003 Williams D6/335
 D538,060 S * 3/2007 Golino D6/643
 D540,565 S * 4/2007 Nakamura D6/643
 D553,867 S * 10/2007 Williams D6/335
 D558,993 S * 1/2008 Saint-Jalmes D6/356
 D559,003 S * 1/2008 Lissoni D6/381
 D560,919 S * 2/2008 Simons, Jr. D6/381
 D616,209 S * 5/2010 Singler D6/338
 D698,177 S * 1/2014 Nguyen D6/381
 D698,178 S * 1/2014 Nguyen D6/381
 D698,179 S * 1/2014 Nguyen D6/381
 D720,160 S * 12/2014 Lloyd D6/643
 D740,039 S * 10/2015 Bouroullec D6/335
 D758,776 S * 6/2016 McKenna D6/717
 D758,777 S * 6/2016 McKenna D6/717
 D761,577 S * 7/2016 Agati D6/338
 2005/0140184 A1 * 6/2005 Williams A47C 13/00
 297/135

* cited by examiner

FIG. 1

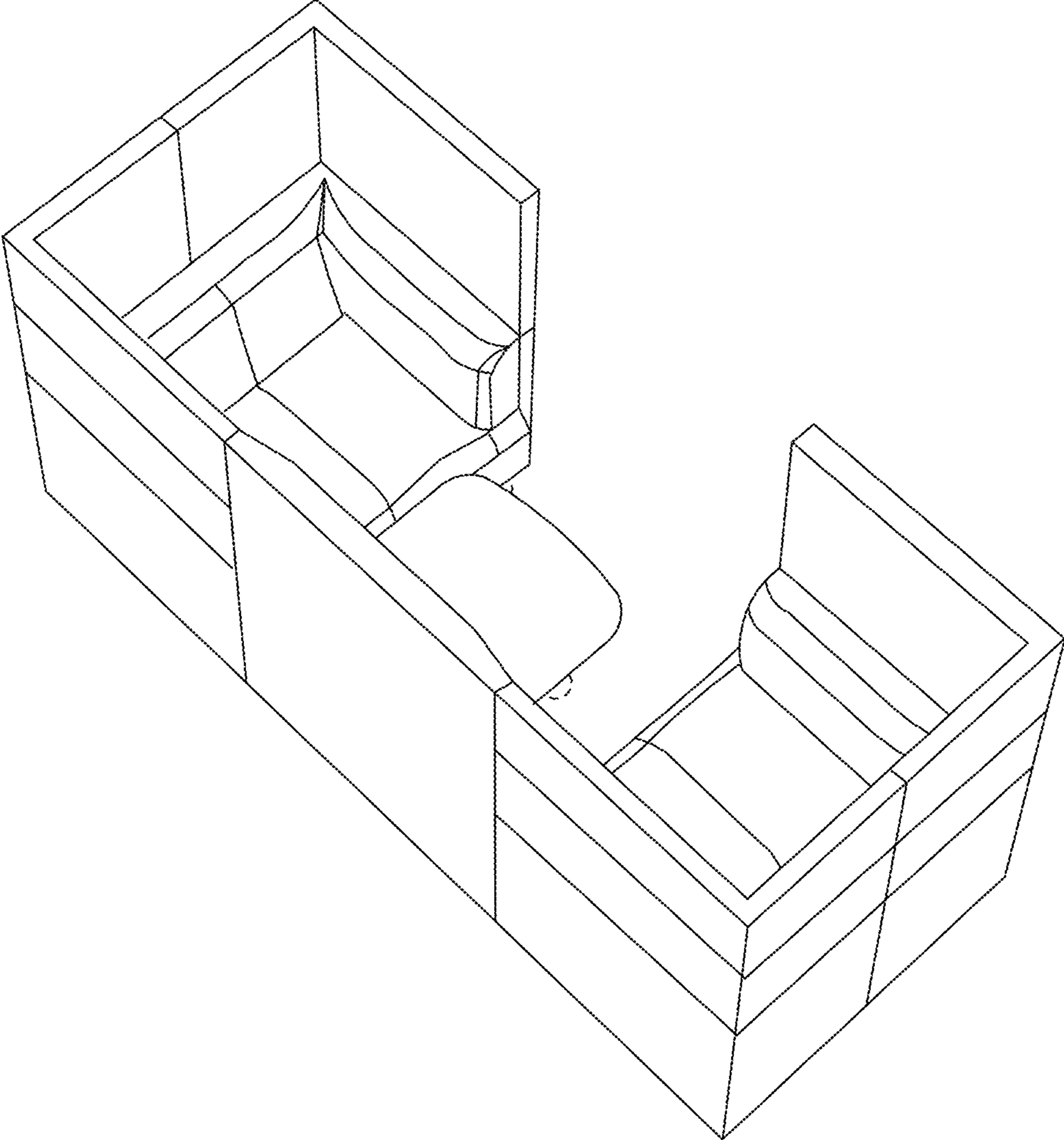


FIG. 2

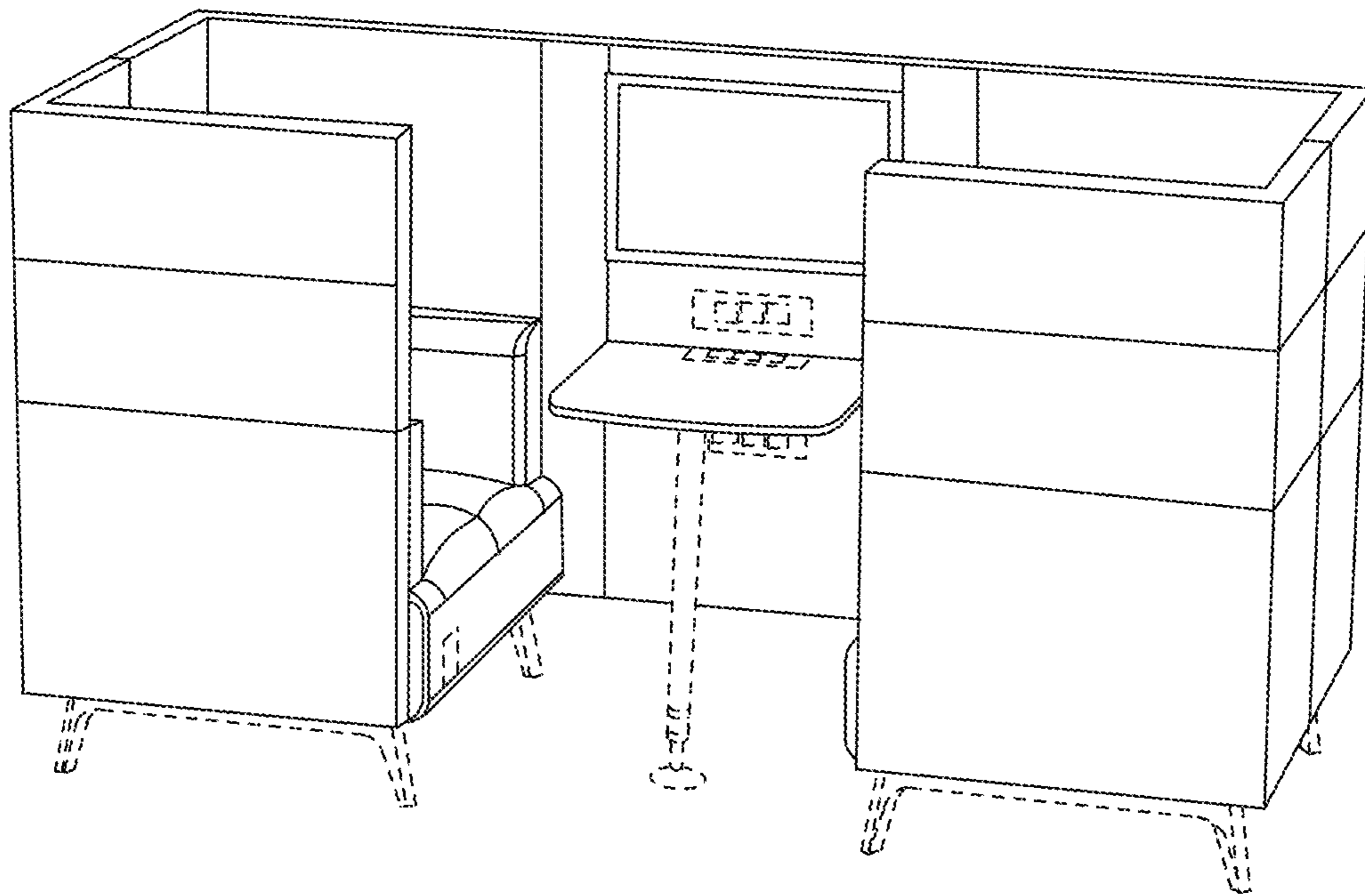


FIG. 3

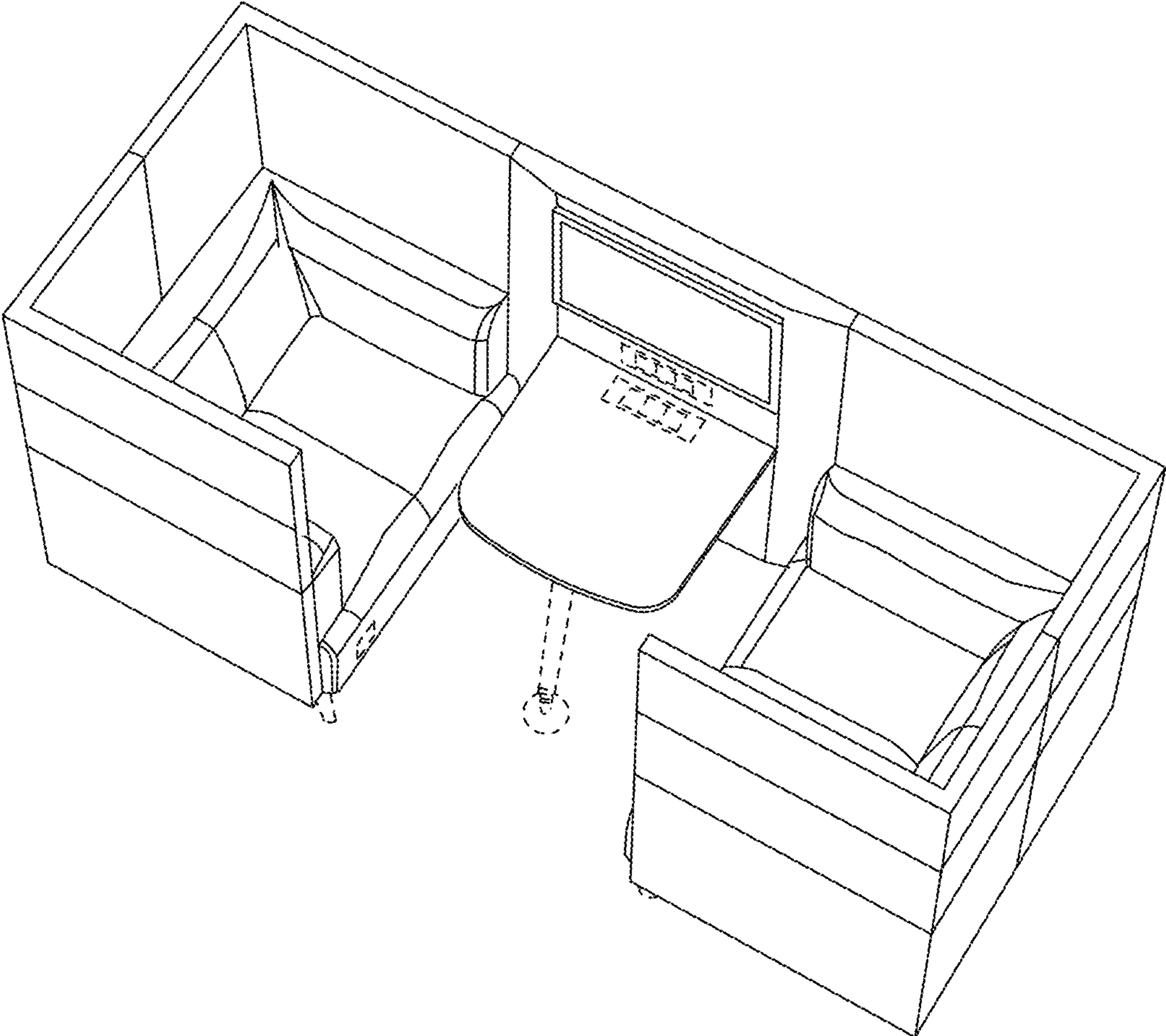


FIG. 4

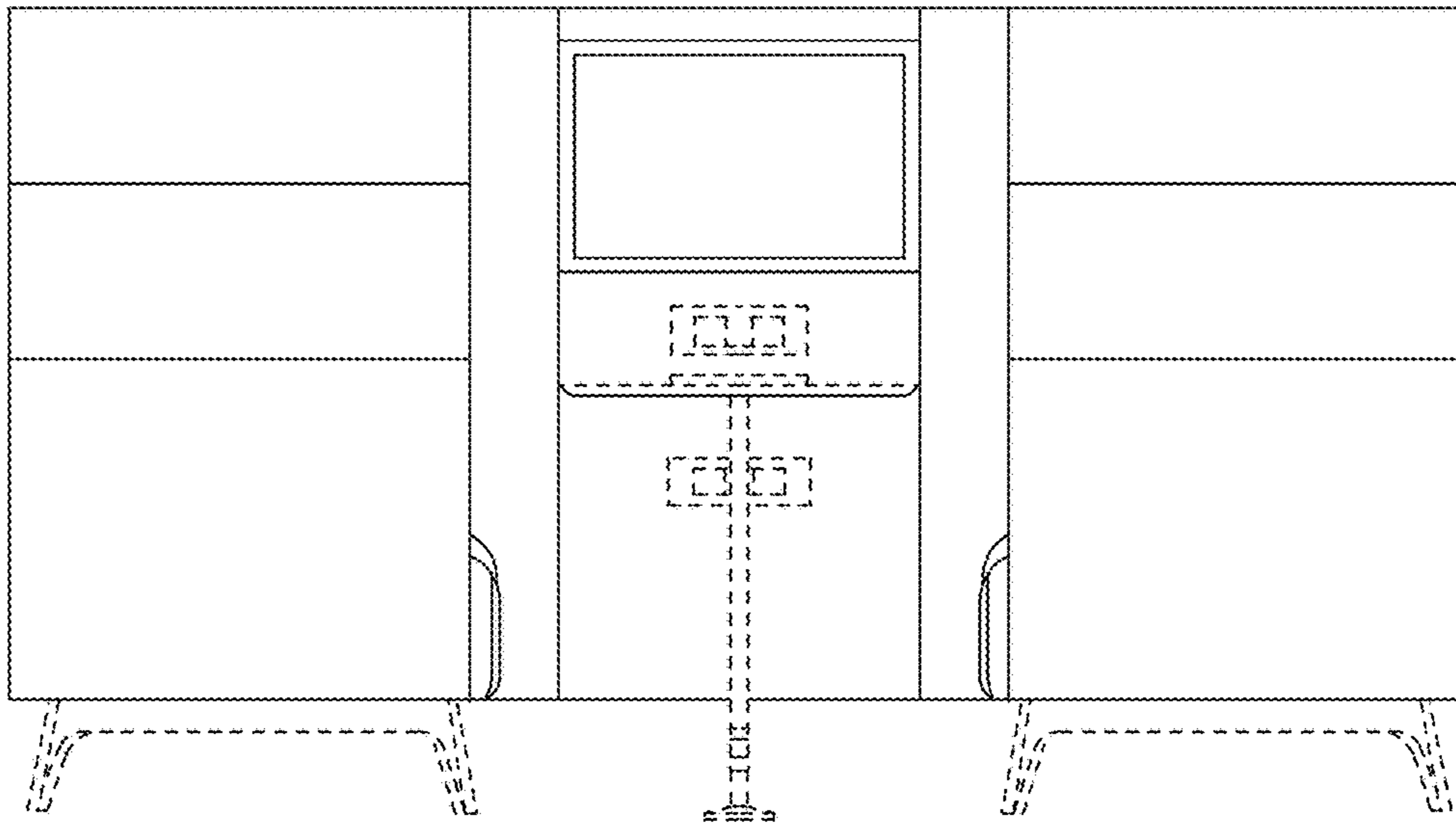


FIG. 5

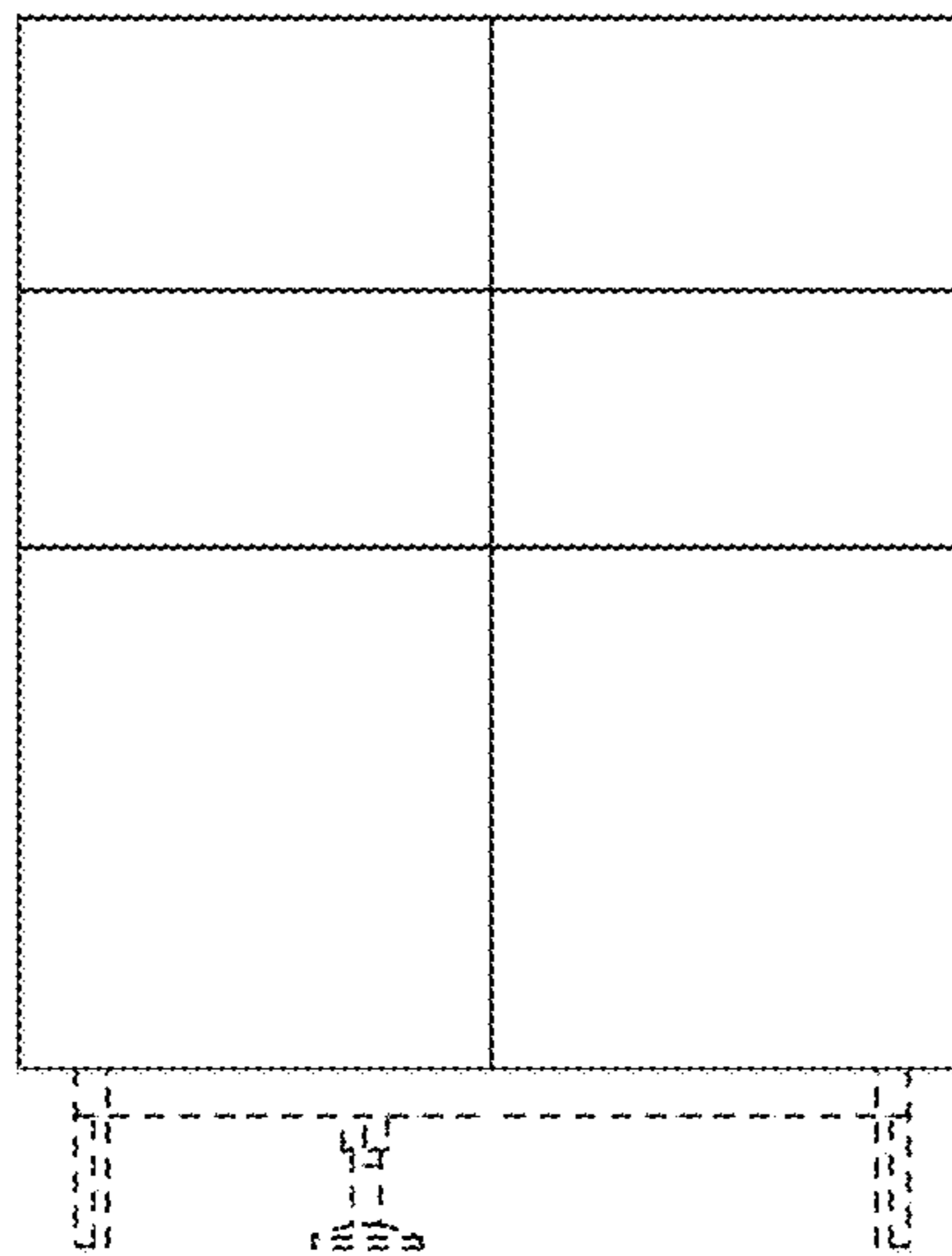


FIG. 6

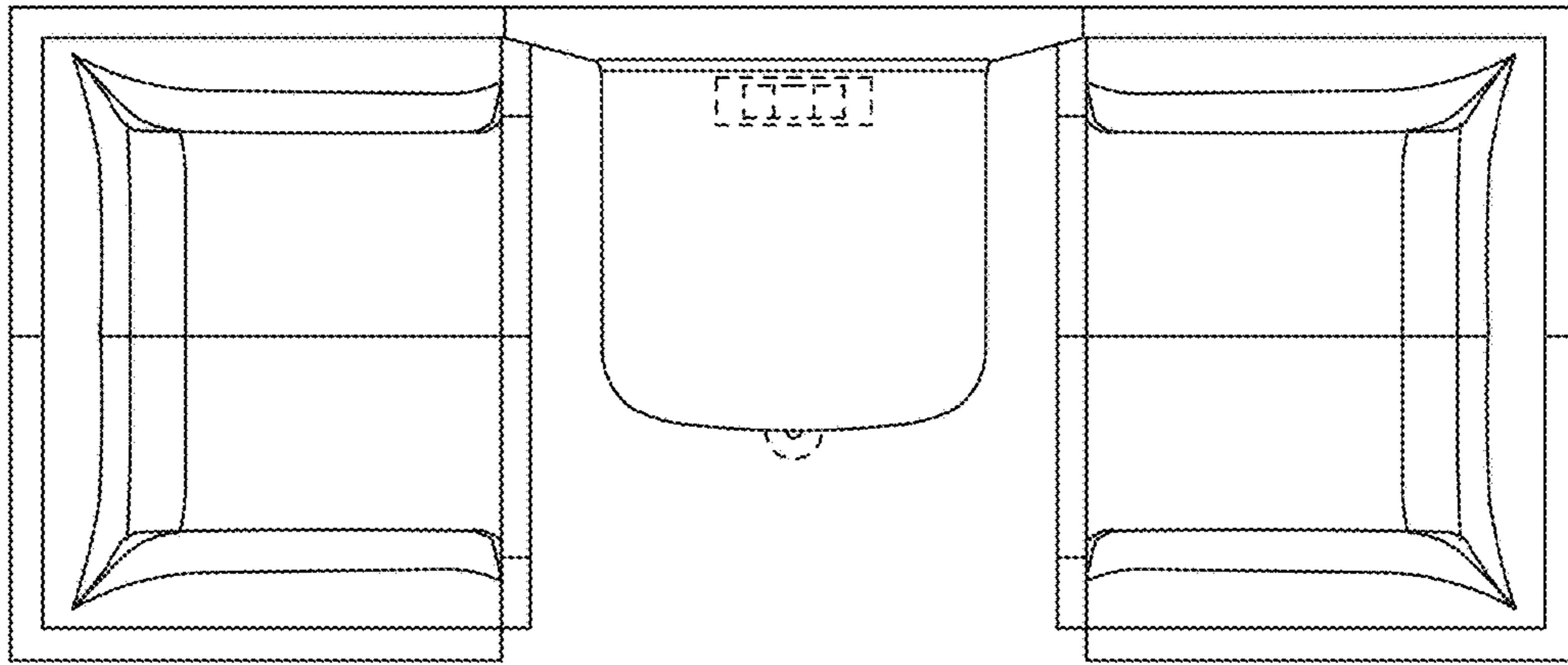


FIG. 7

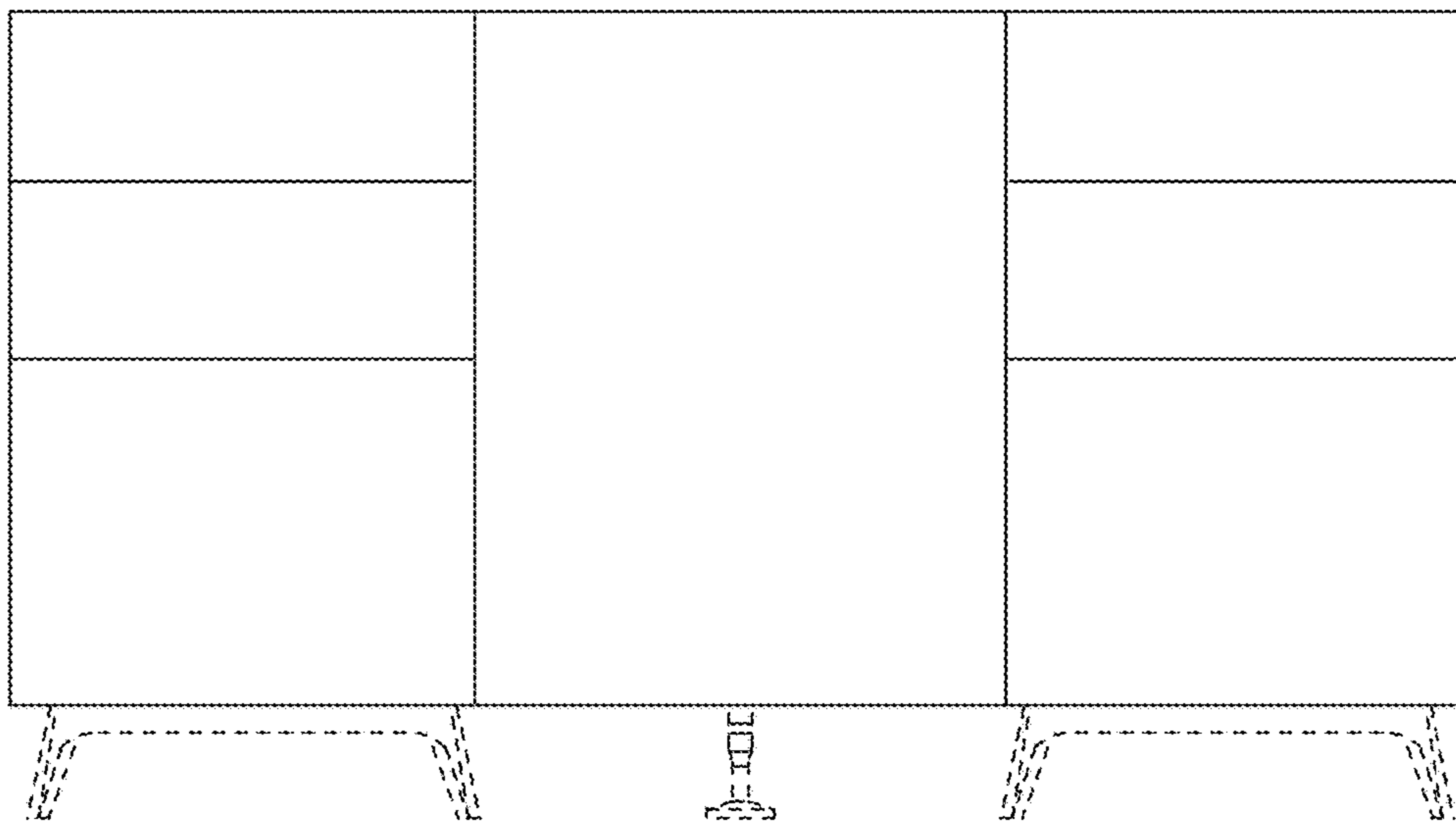


FIG. 8

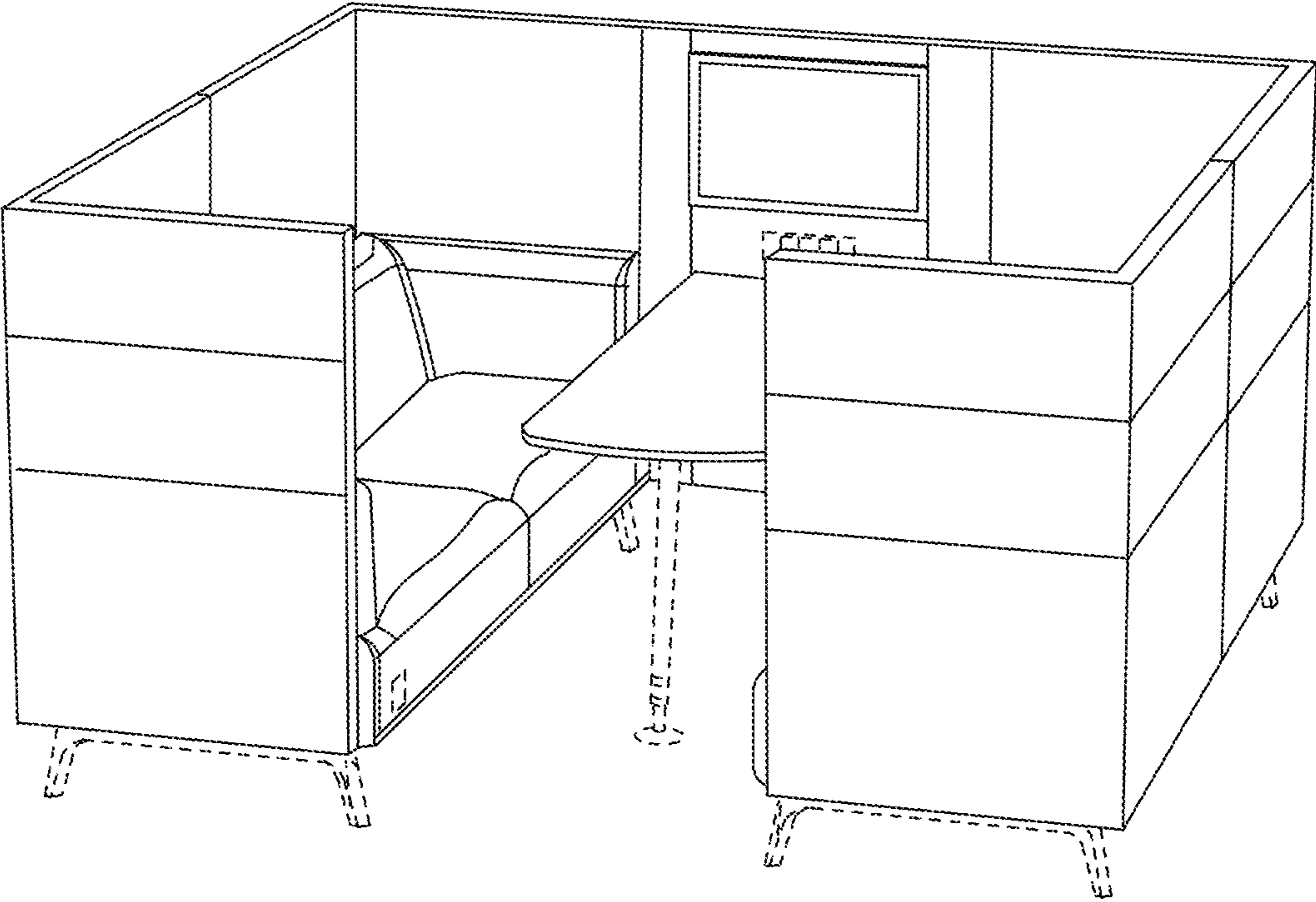


FIG. 9

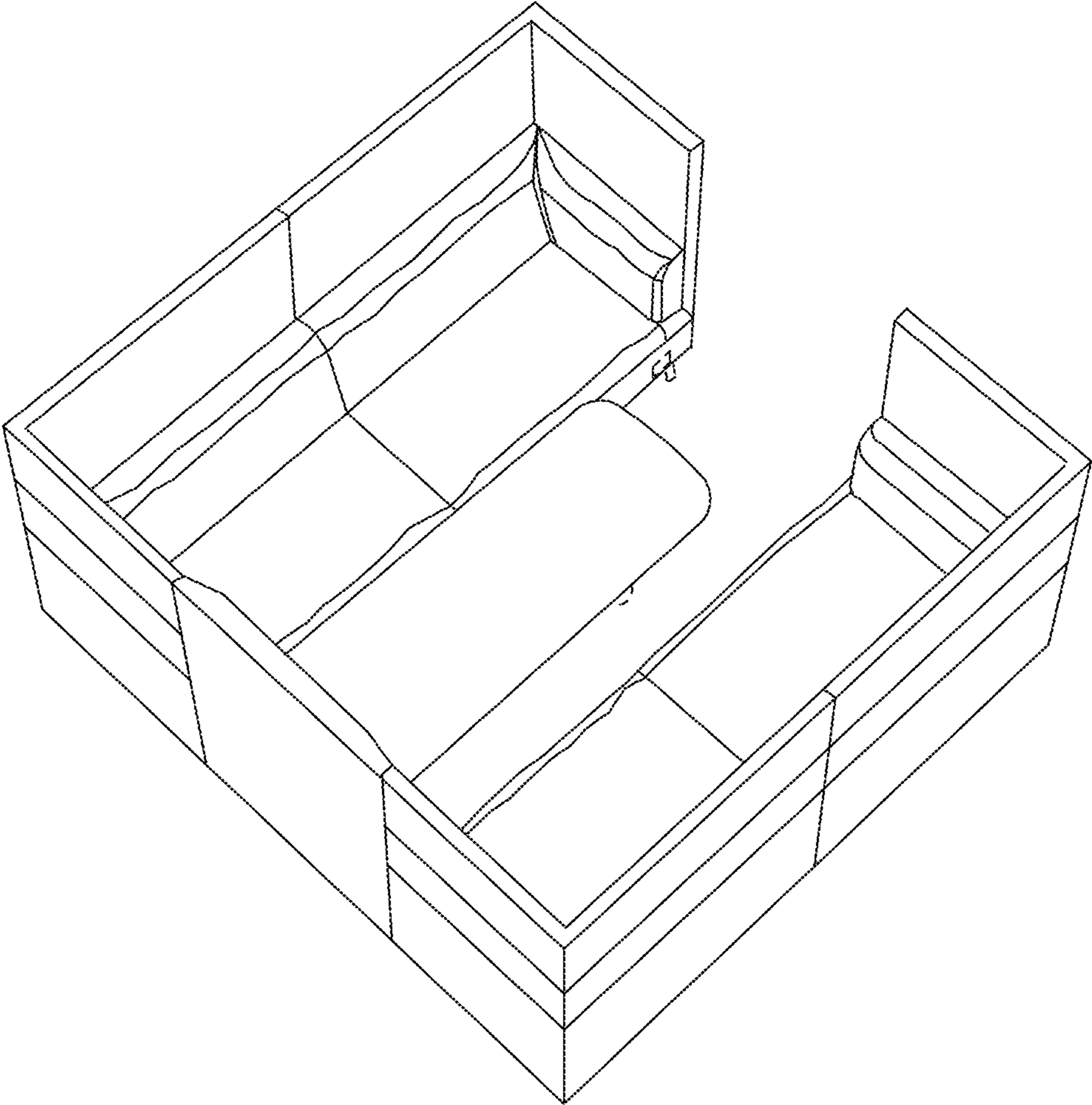


FIG. 10

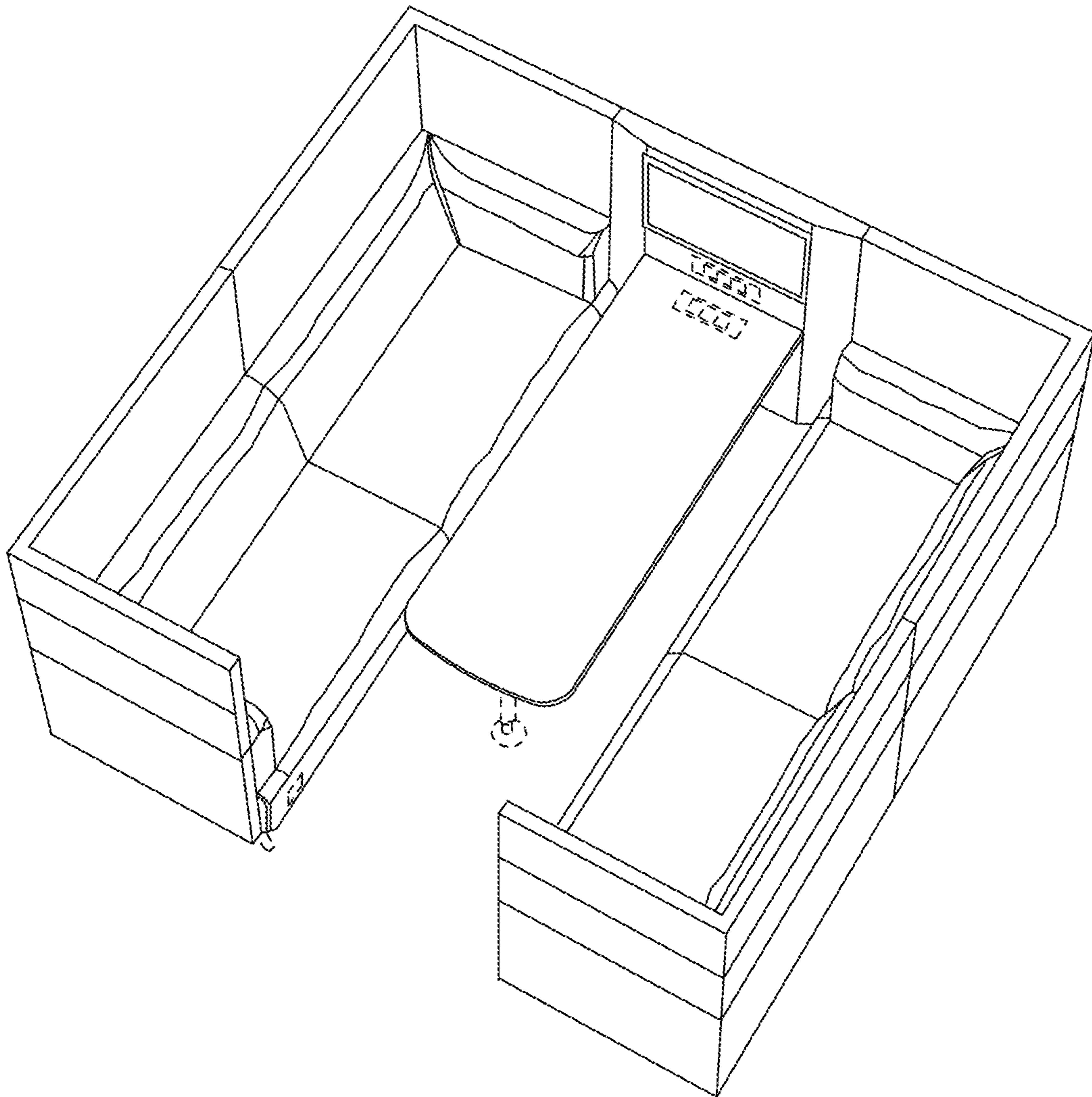


FIG. 11

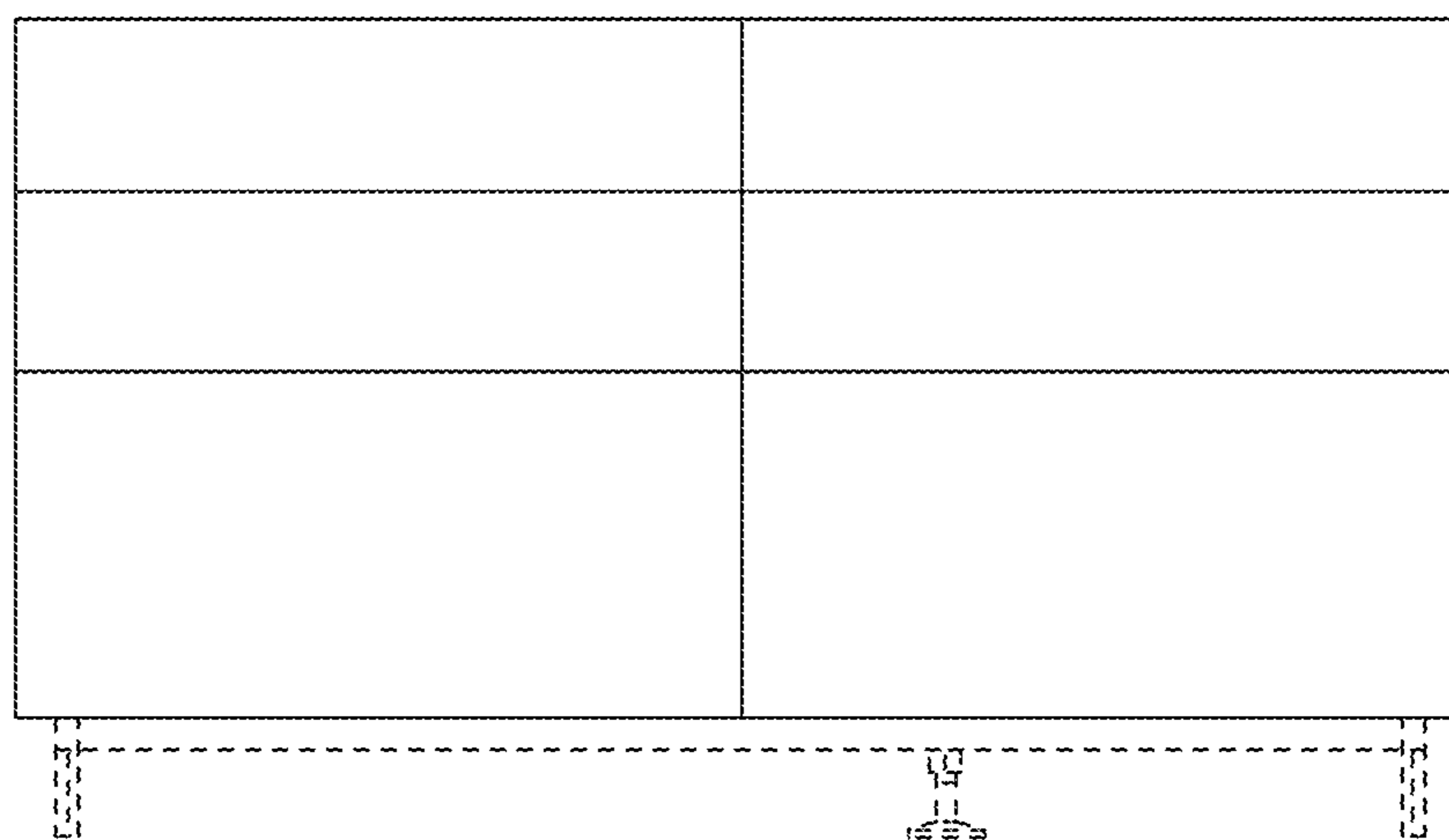


FIG. 12

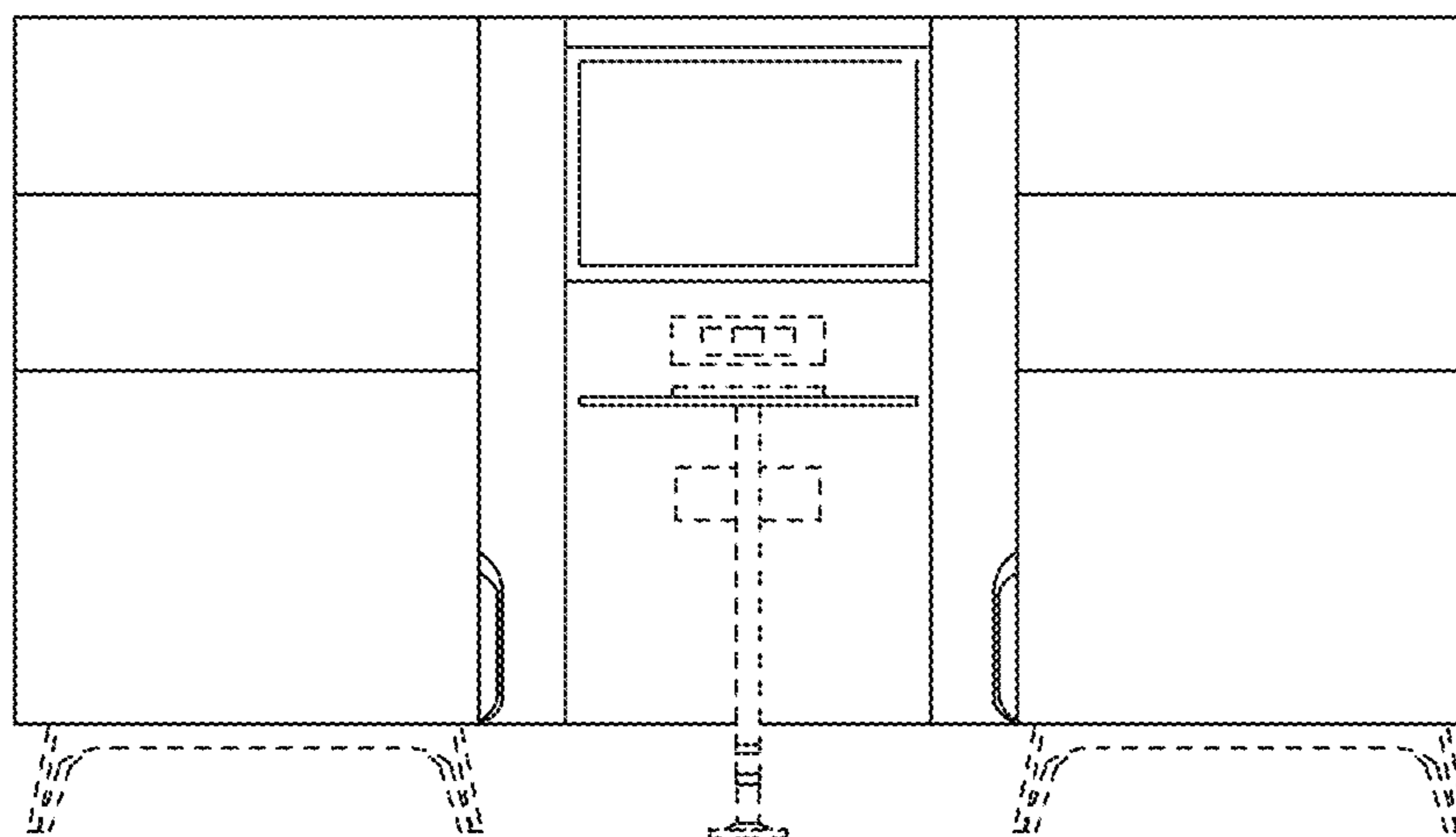


FIG. 13

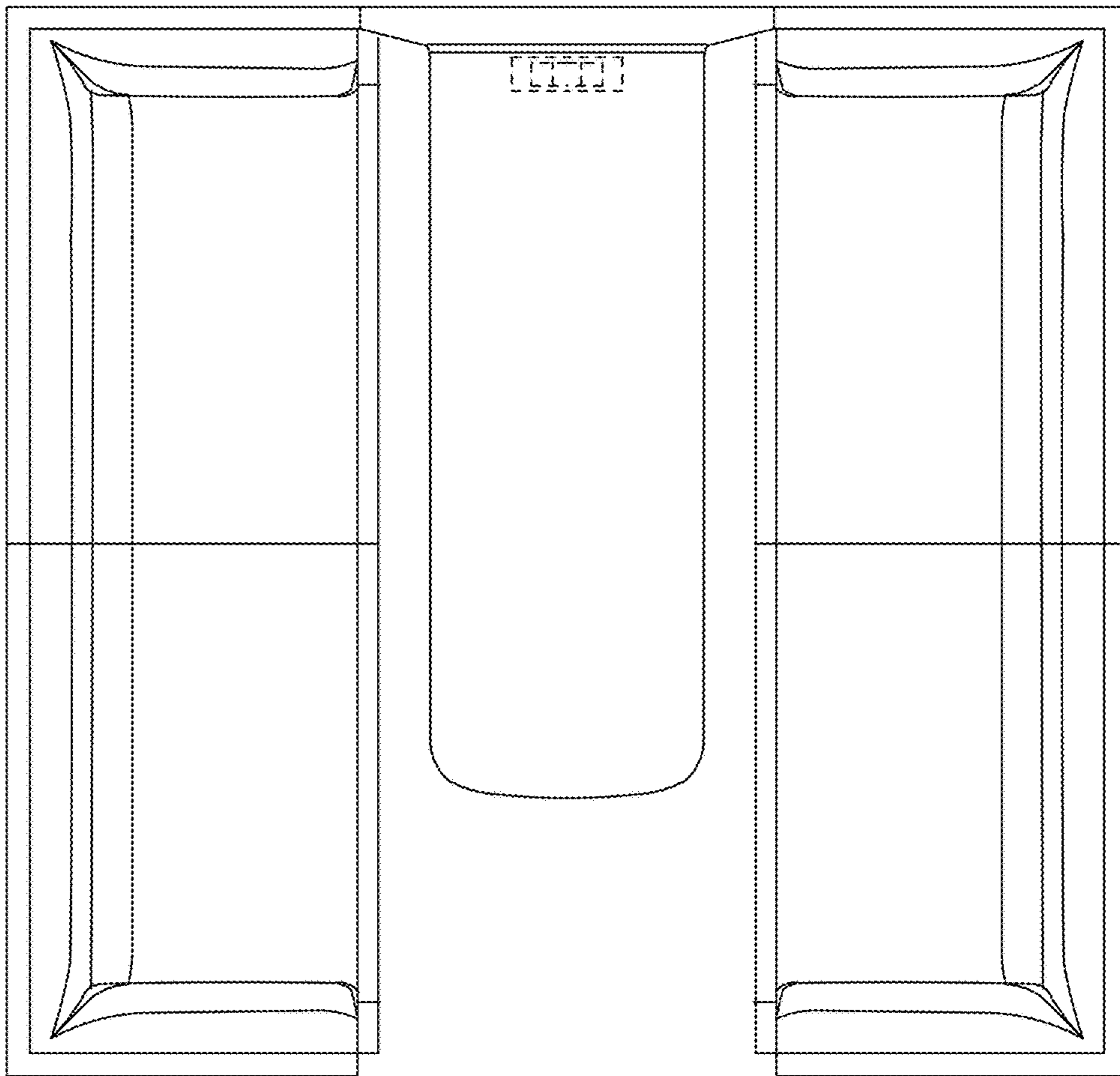


FIG. 14

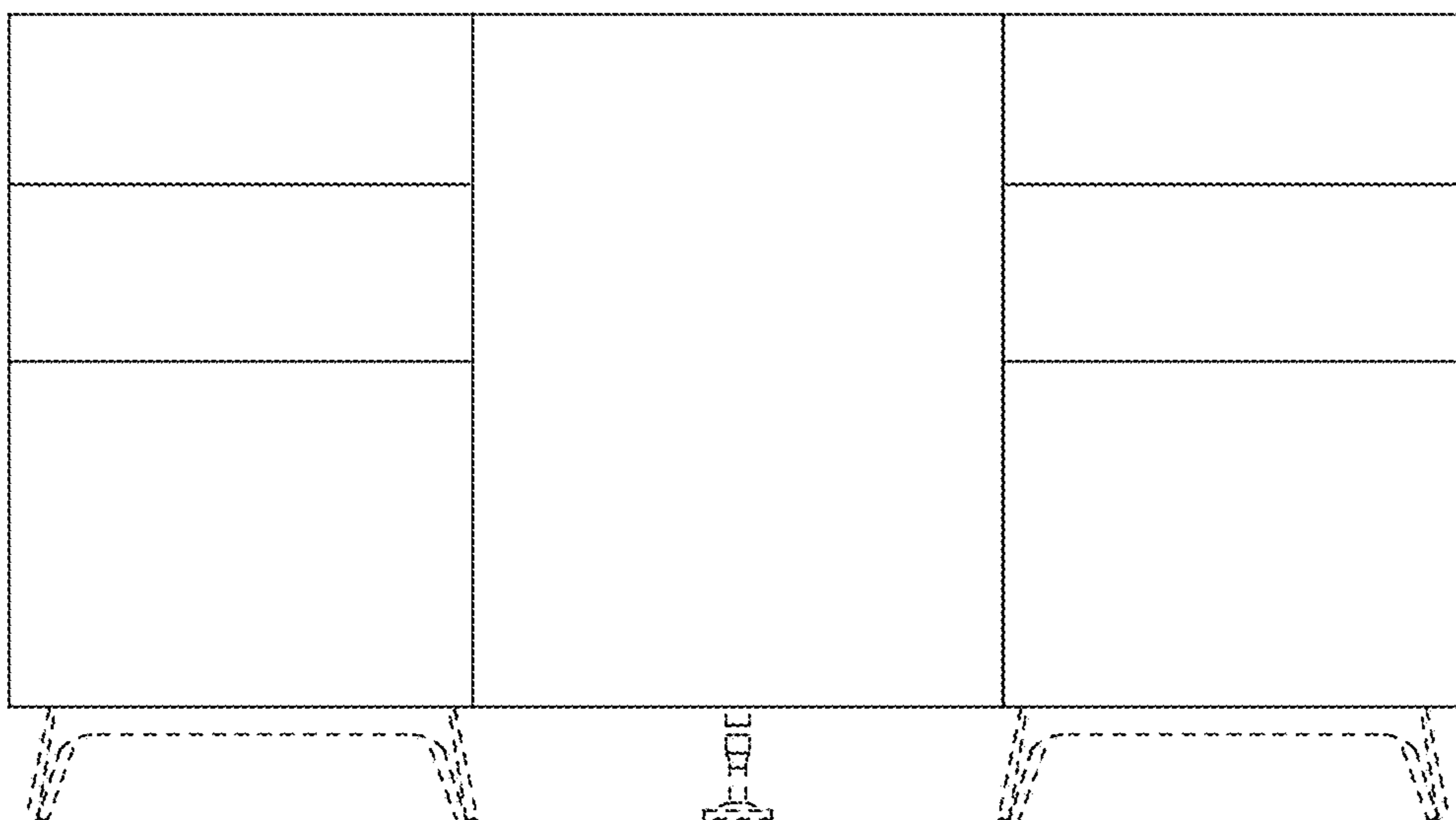


FIG. 15

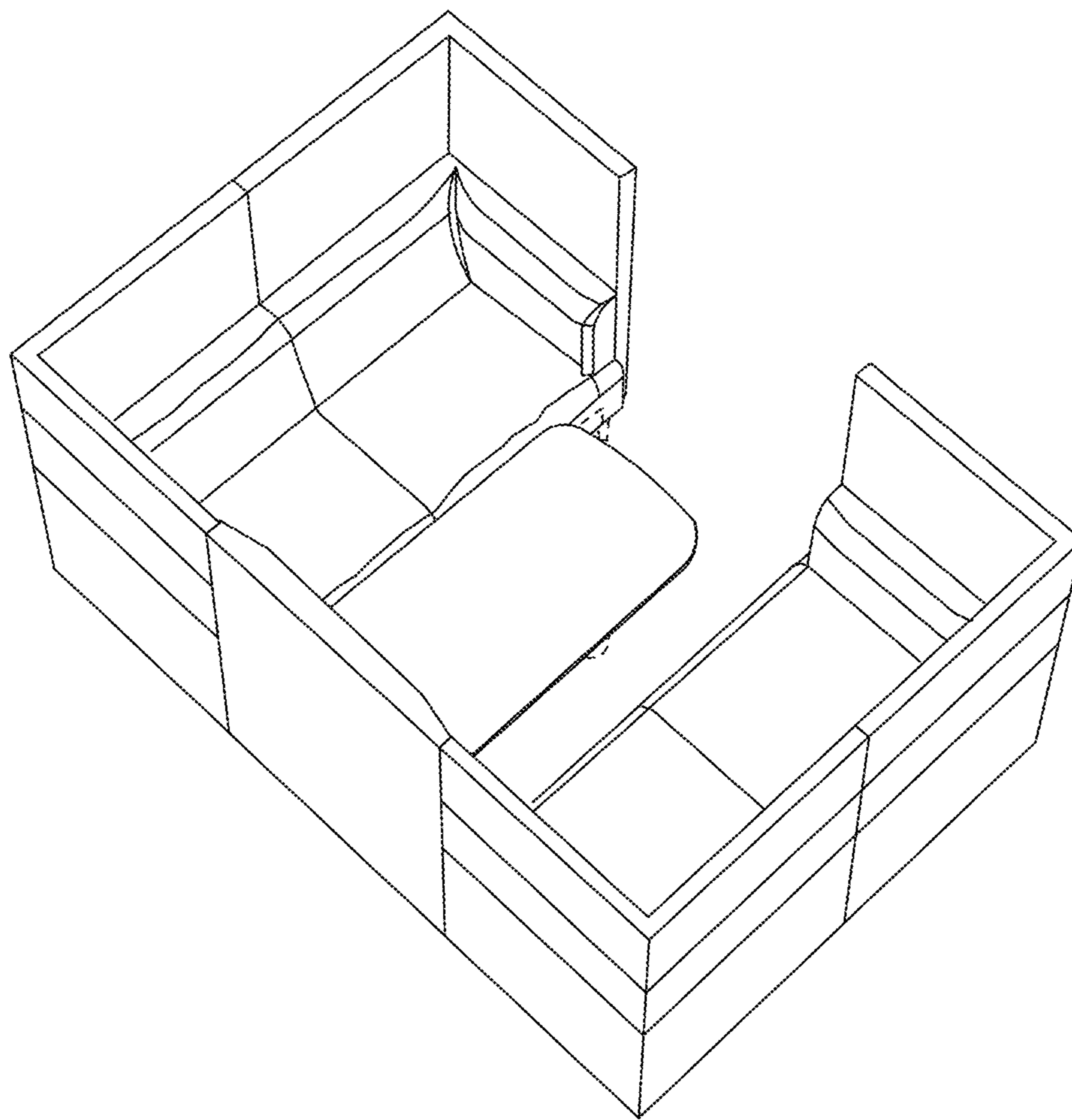


FIG. 16

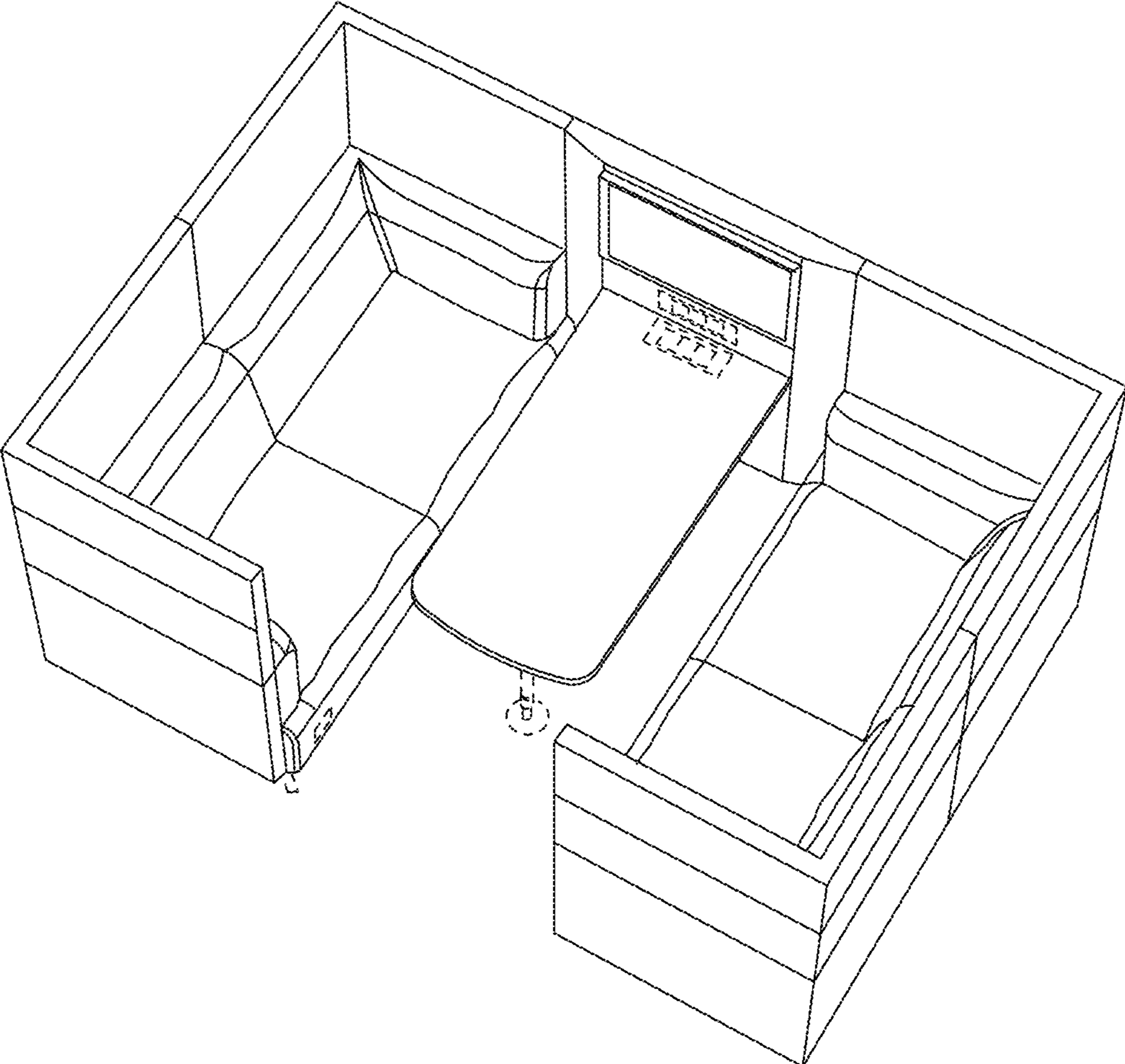


FIG. 17

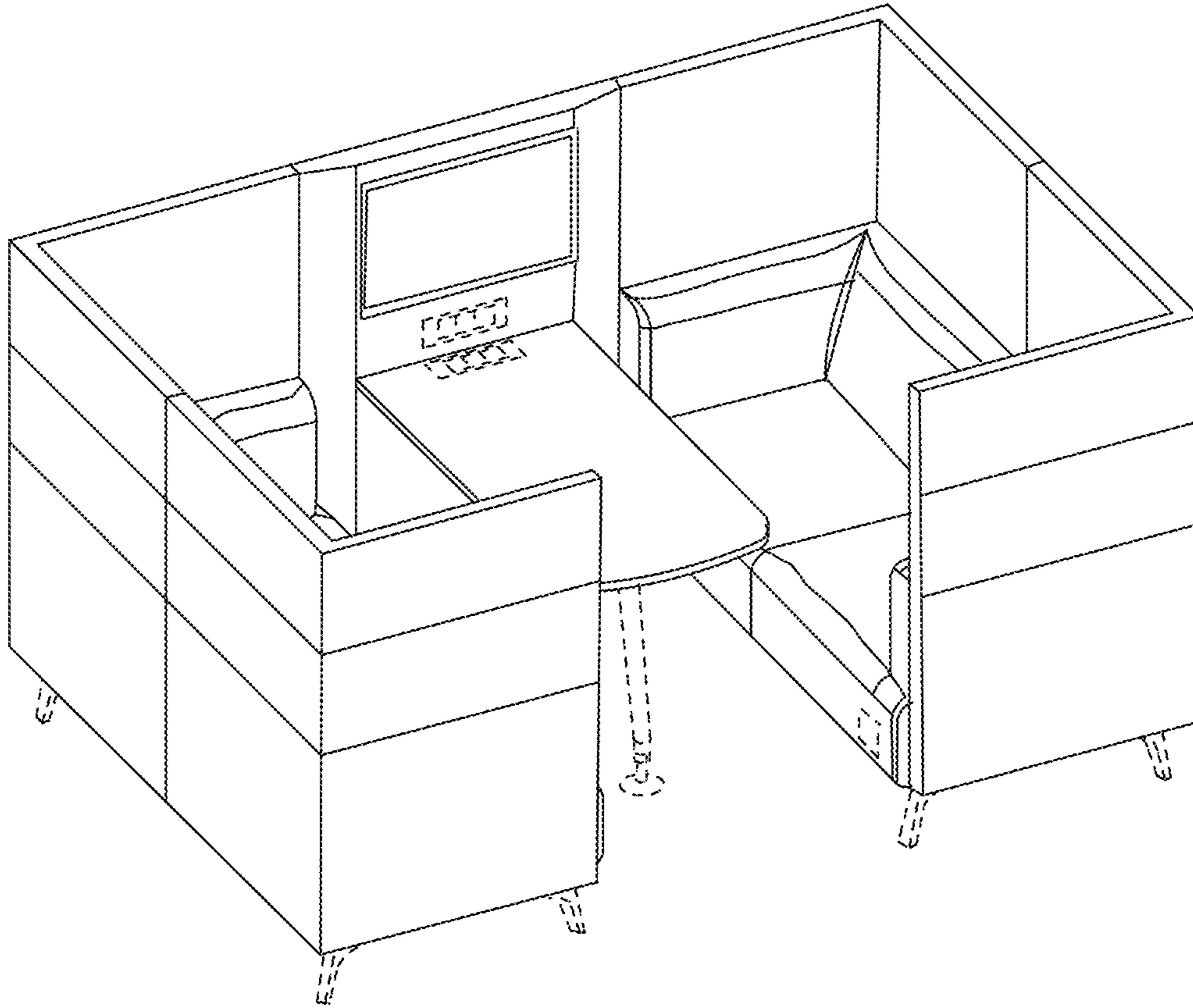


FIG. 18

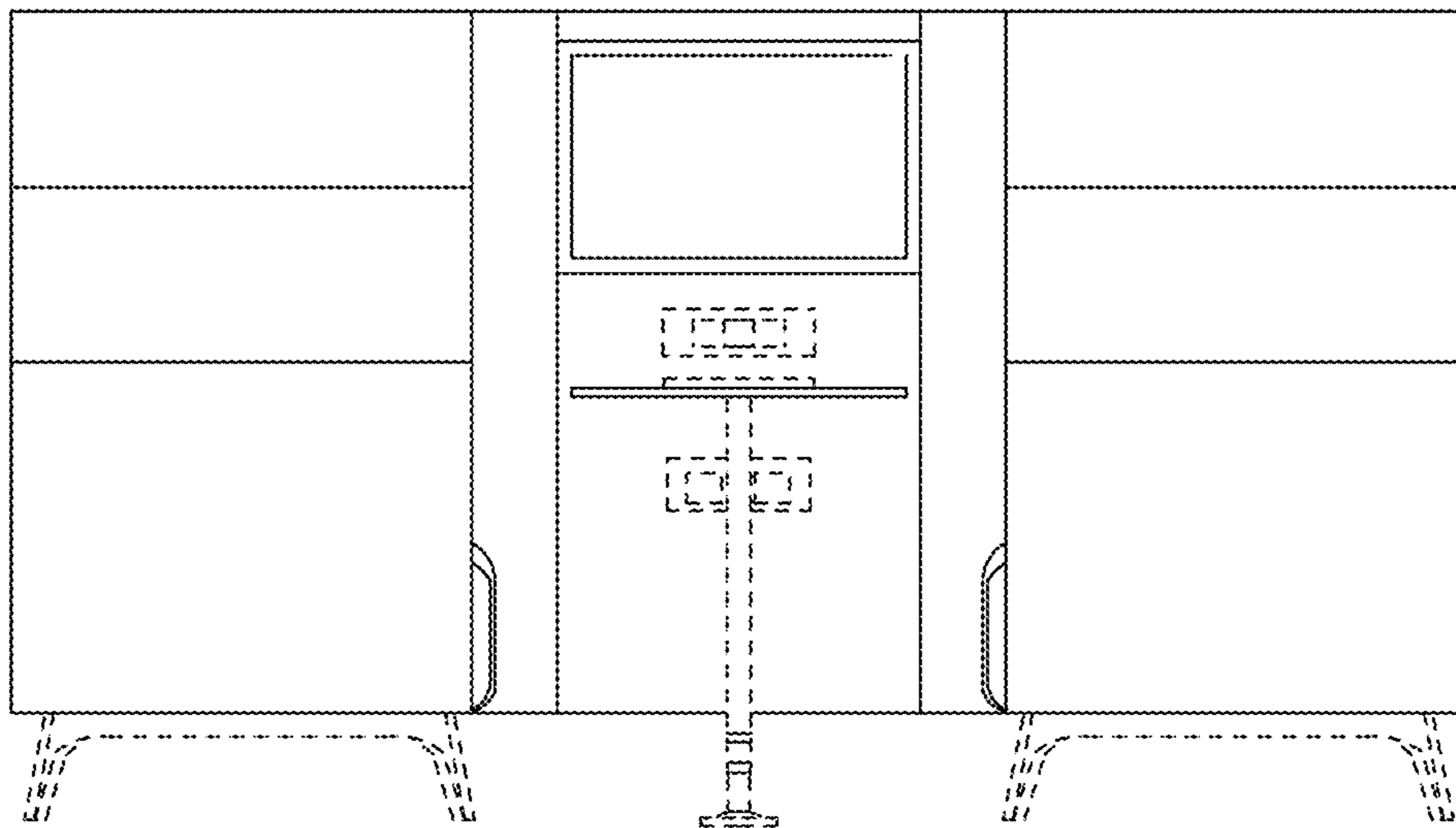


FIG. 19

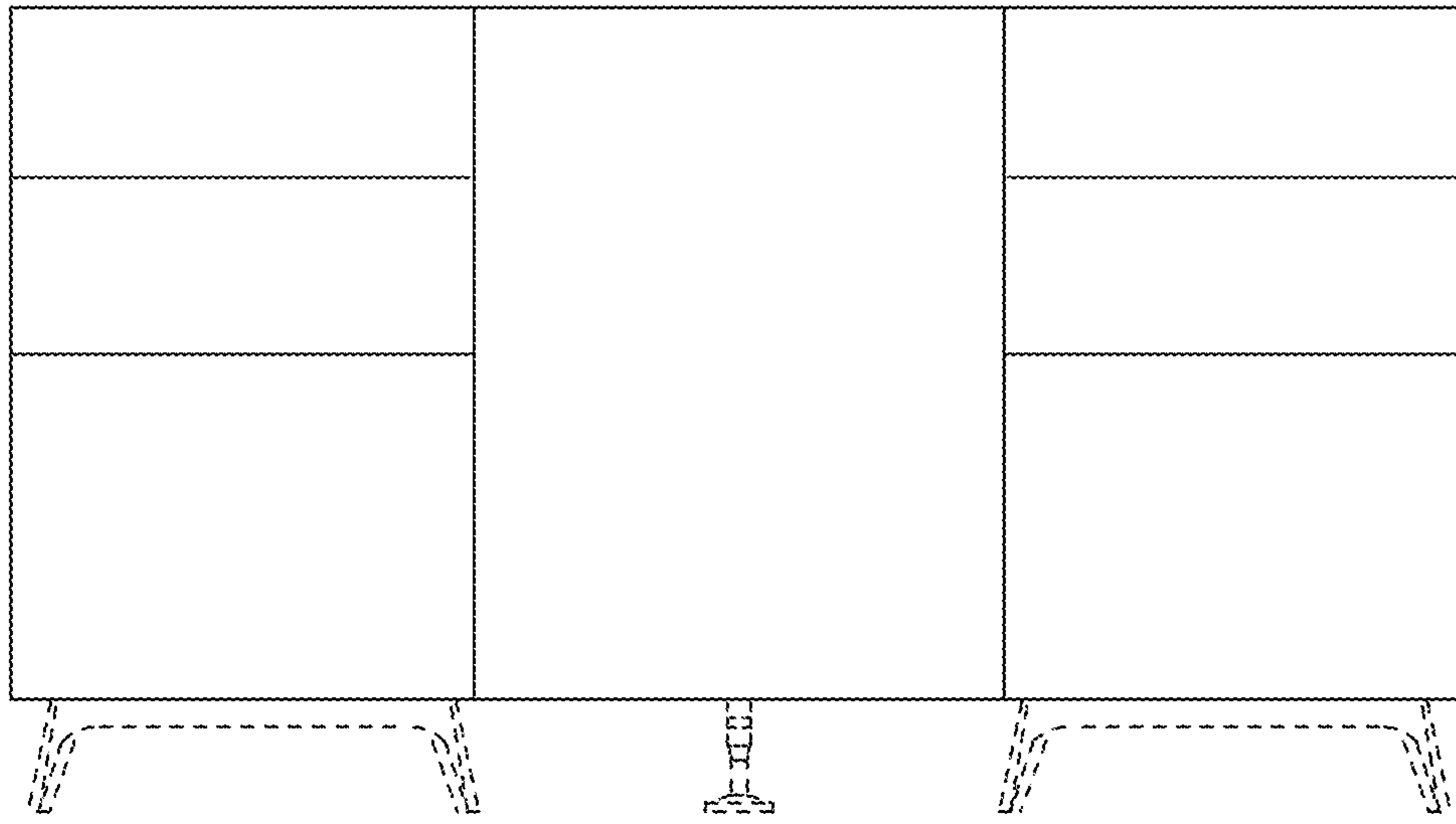


FIG. 20

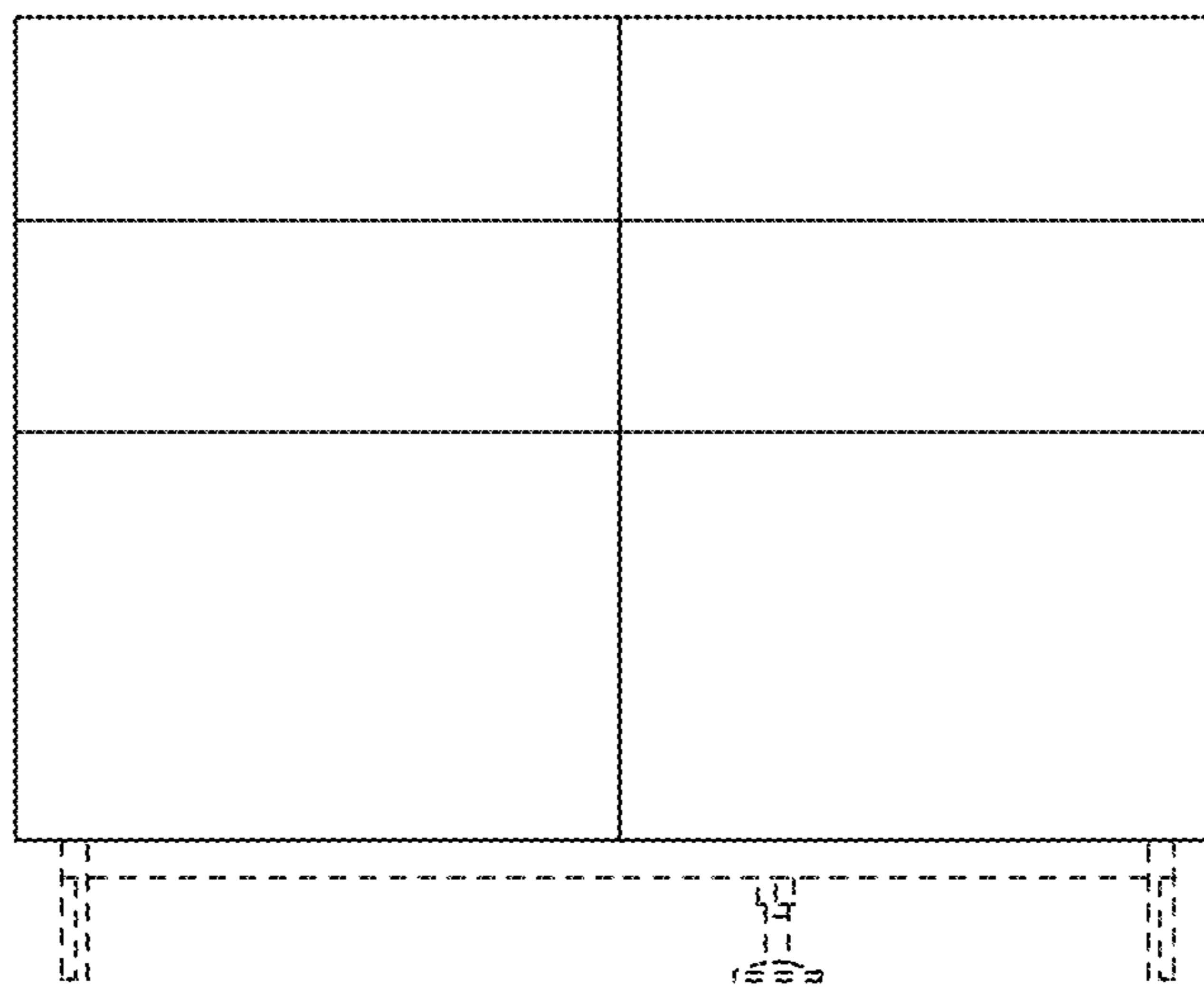


FIG. 21

