



US00D786568S

(12) **United States Design Patent** (10) **Patent No.:** **US D786,568 S**
Rakhamimov et al. (45) **Date of Patent:** **** May 16, 2017**

(54) **INTERLOCKING HANGER**

(71) Applicants: **Murad Rakhamimov**, Mountain View, CA (US); **Driven Innovation LRV, Inc.**, Fremont, CA (US)

(72) Inventors: **Murad Rakhamimov**, Mountain View, CA (US); **Eugene Vicknair**, Fremont, CA (US); **Ben Roth**, Fremont, CA (US); **Tom Lin**, Fremont, CA (US); **Victor Lazzaro**, Fremont, CA (US)

2,656,077 A * 10/1953 Gensky A47G 25/487
223/91

2,681,754 A * 6/1954 Lefton A47G 25/60
223/86

D173,676 S 12/1954 Perrin

2,884,171 A 4/1959 Knuth

2,954,150 A 9/1960 Pace

3,002,662 A 10/1961 Albright

3,059,823 A * 10/1962 Batts A47G 25/36
223/88

(Continued)

FOREIGN PATENT DOCUMENTS

(73) Assignees: **Murad Rakhamimov**, Mountain View, CA (US); **Driven Innovation LRV, Inc.**, Fremont, CA (US)

EP 1842462 A1 10/2007

Primary Examiner — Derrick Holland

Assistant Examiner — Lauren Calve

(74) *Attorney, Agent, or Firm* — Polson Intellectual Property Law, PC; Margaret Polson

(**) Term: **15 Years**

(21) Appl. No.: **29/534,015**

(22) Filed: **Jul. 24, 2015**

(51) **LOC (10) Cl.** **06-08**

(52) **U.S. Cl.**
USPC **D6/319**

(58) **Field of Classification Search**
USPC D6/315–328, 672; 223/85–98; 211/10, 211/13.1, 85.2, 86.01, 87.01, 113
CPC A47G 25/14; A47G 25/28; A47G 25/26; A47G 25/30; A47G 25/36; A47G 25/50; A47G 25/442; A47G 25/483; A47G 25/743; A47G 25/4023; A47F 5/0006
See application file for complete search history.

(56) **References Cited**

U.S. PATENT DOCUMENTS

1,229,371 A * 6/1917 Wordingham A47G 25/28
223/88

D140,337 S * 2/1945 Hill 223/88

D140,338 S * 2/1945 Hill 223/88

2,461,179 A 2/1949 Rogalla

D153,032 S * 3/1949 Porter 223/88

(57) **CLAIM**

The ornamental design for an interlocking hanger, as shown and described.

DESCRIPTION

FIG. 1 is a front side isometric view of my new design for an interlocking hanger.

FIG. 2 is left side elevation view of FIG. 1.

FIG. 3 is a right side elevation view of FIG. 1.

FIG. 4 is front side elevation view of FIG. 1.

FIG. 5 is back side elevation view of FIG. 1.

FIG. 6 is top plan view of FIG. 1.

FIG. 7 is a bottom plan view of FIG. 1.

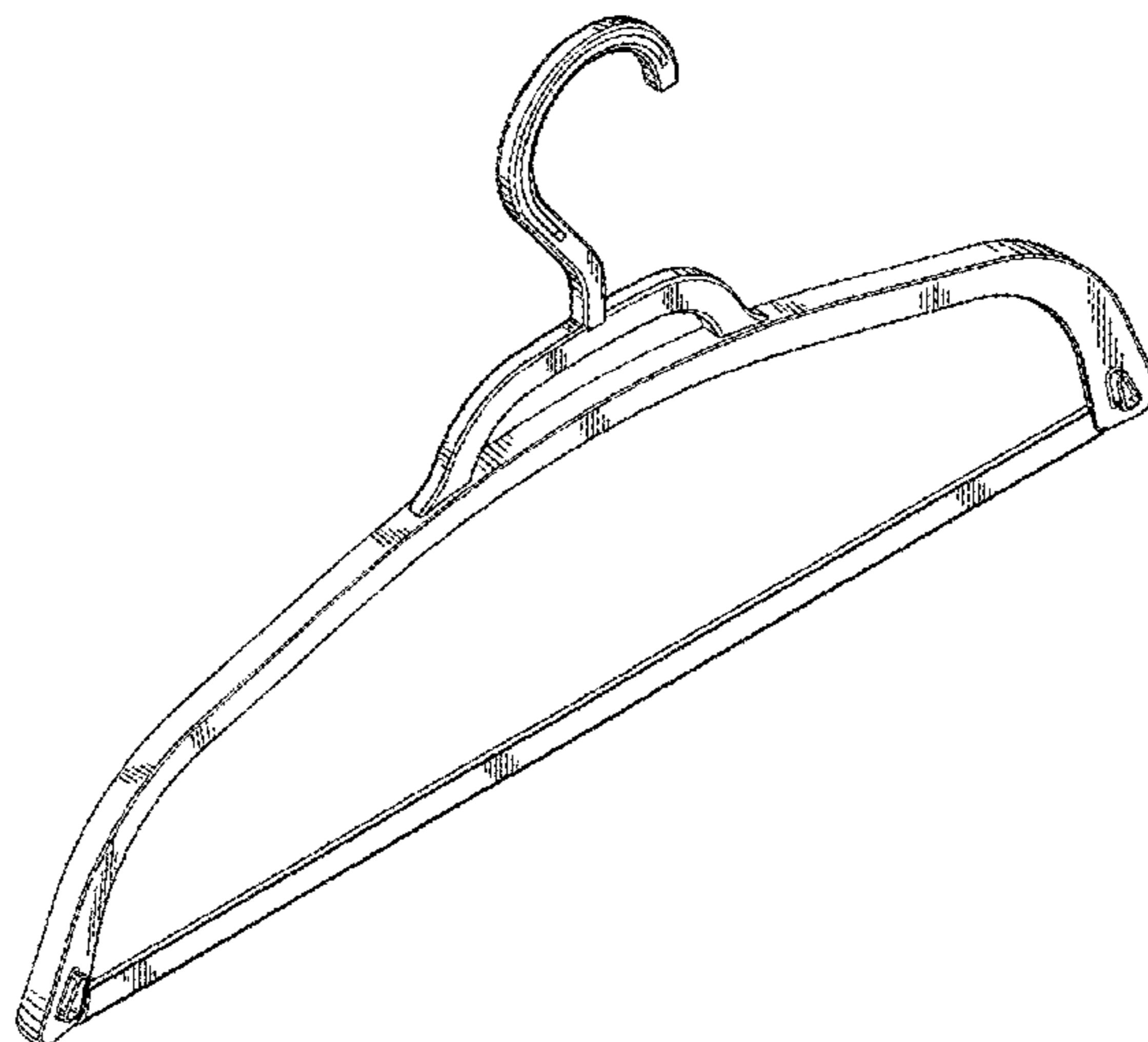
FIG. 8 is a front side isometric view of FIG. 1 shown in environmental use.

FIG. 9 is a top plan view of FIG. 8; and,

FIG. 10 is a partial enlarged cross-sectional view taken along line 10-10 shown in FIG. 9.

The broken lines shown represent unclaimed subject matter and form no part of the claimed design.

1 Claim, 5 Drawing Sheets



(56)

References Cited

U.S. PATENT DOCUMENTS

RE25,841 E * 8/1965 Gingher A47G 25/1407
 223/88
 D201,855 S * 8/1965 Gingher D6/319
 3,276,645 A 10/1966 Buzzelli
 3,392,891 A * 7/1968 Gingher A47G 25/1407
 223/85
 4,529,110 A 7/1985 Tate
 5,044,535 A 9/1991 Hunt
 5,071,045 A 12/1991 Hollis
 5,598,957 A 2/1997 Bell
 6,050,461 A 4/2000 Batts et al.
 6,206,255 B1 3/2001 Turner
 6,243,923 B1 6/2001 Hamilton
 7,097,081 B2 8/2006 Frassinelli
 D527,536 S 9/2006 McCoy et al.
 D591,059 S * 4/2009 Patel D6/319
 D591,519 S * 5/2009 Patel D6/319
 D630,445 S * 1/2011 Crawford D6/319
 7,938,300 B2 5/2011 Diamond et al.
 8,016,170 B2 9/2011 Johnson et al.
 D656,325 S 3/2012 Ho
 8,286,842 B2 10/2012 Carey
 8,459,514 B2 6/2013 Lagzdins
 D732,840 S * 6/2015 Chiang D6/318
 D734,040 S * 7/2015 Abdi D6/318
 9,282,839 B2 * 3/2016 Rakhimov A47G 25/1442
 2008/0257919 A1 10/2008 Yamada
 2012/0080458 A1 4/2012 Kimpton
 2012/0080460 A1 4/2012 Nance, Jr.
 2012/0138641 A1 6/2012 Yamada

* cited by examiner

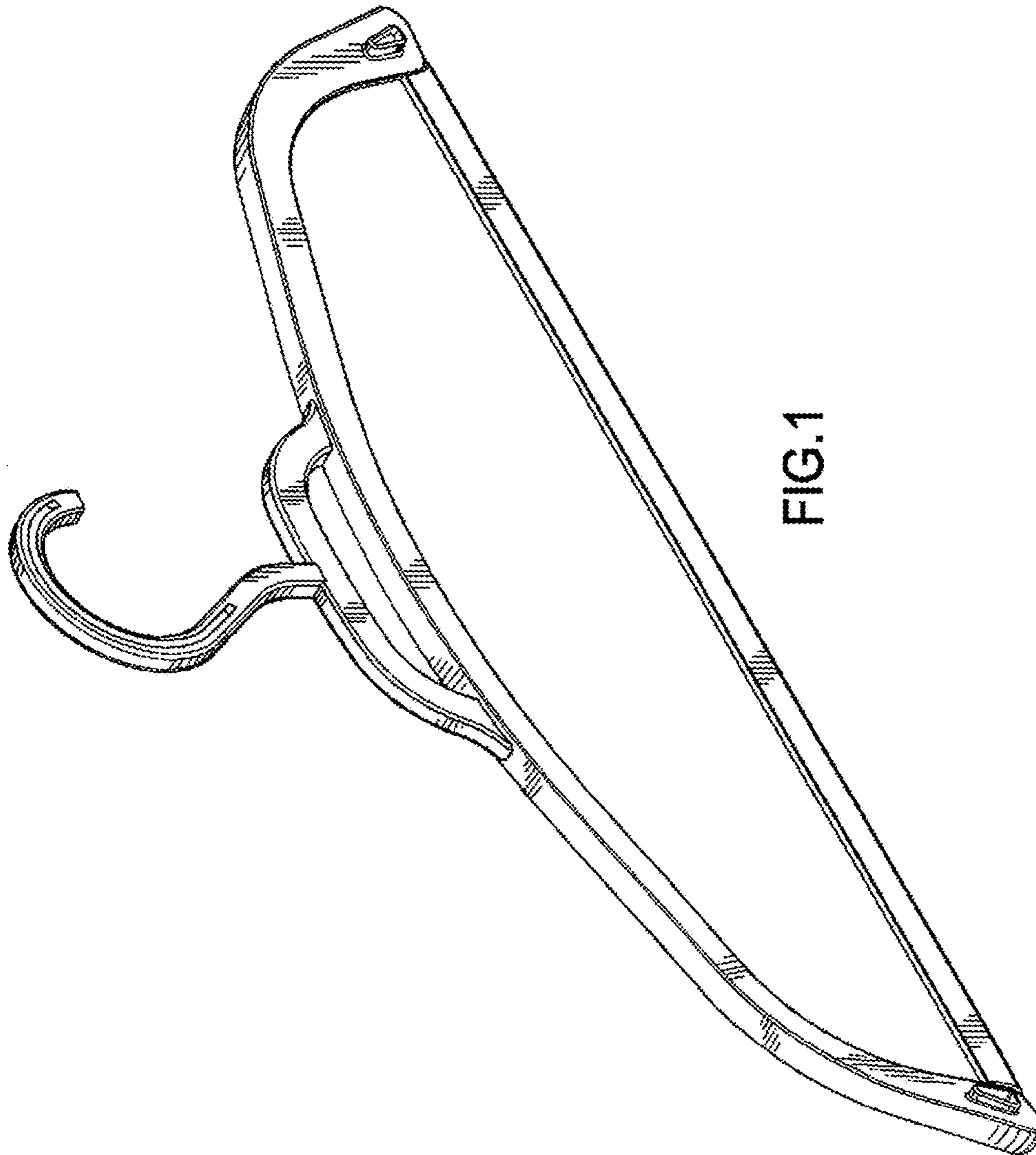


FIG.1

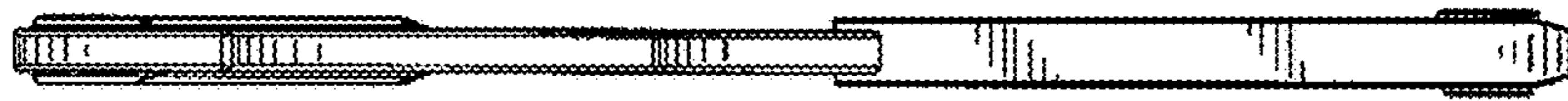


FIG.2

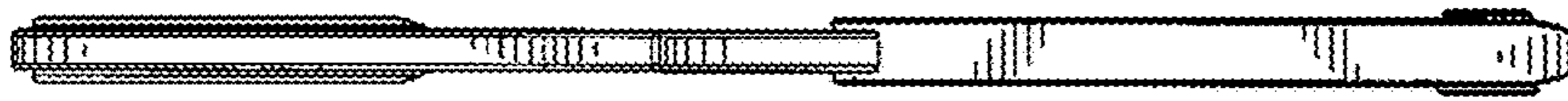


FIG.3

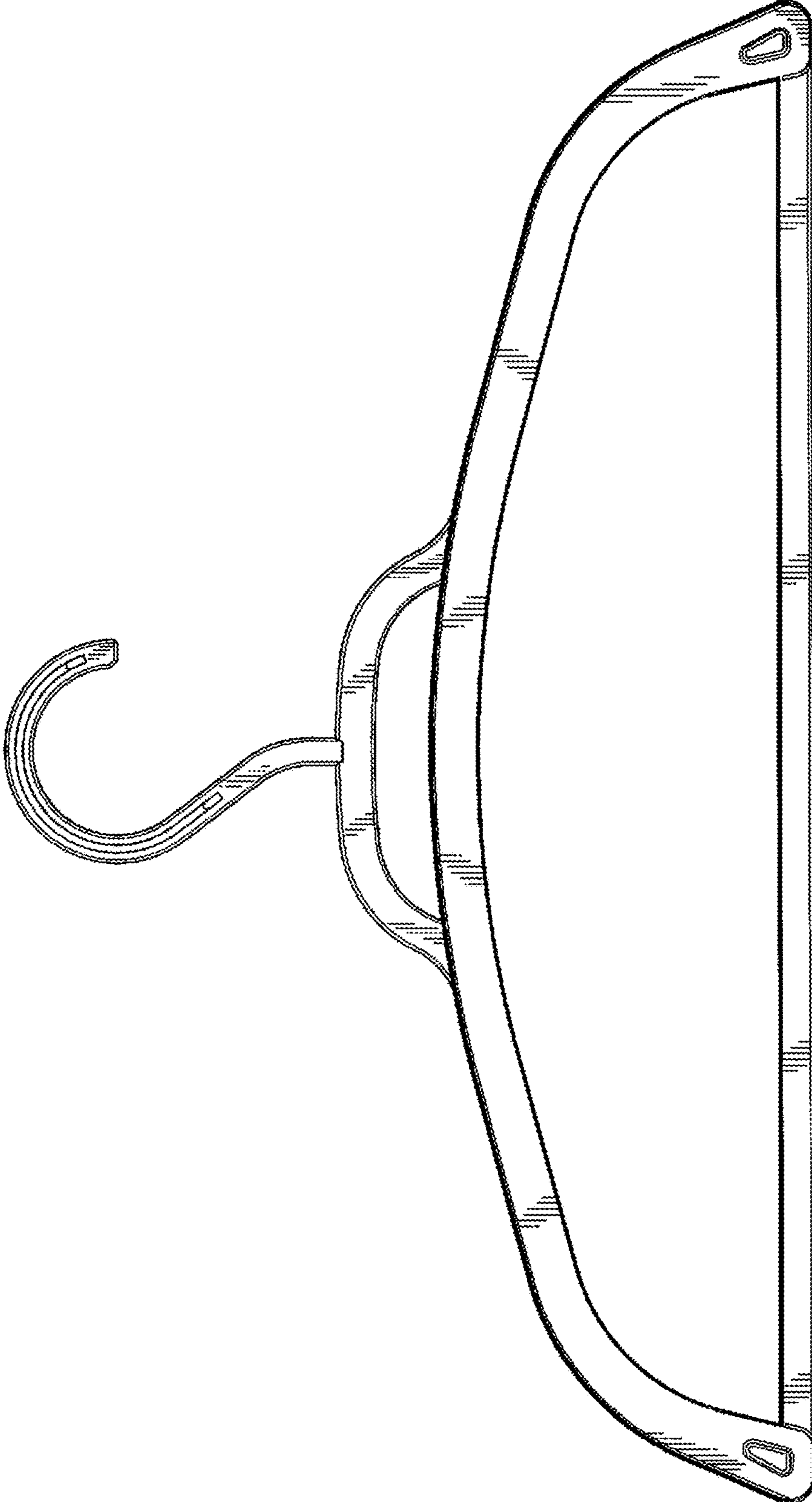


FIG.4

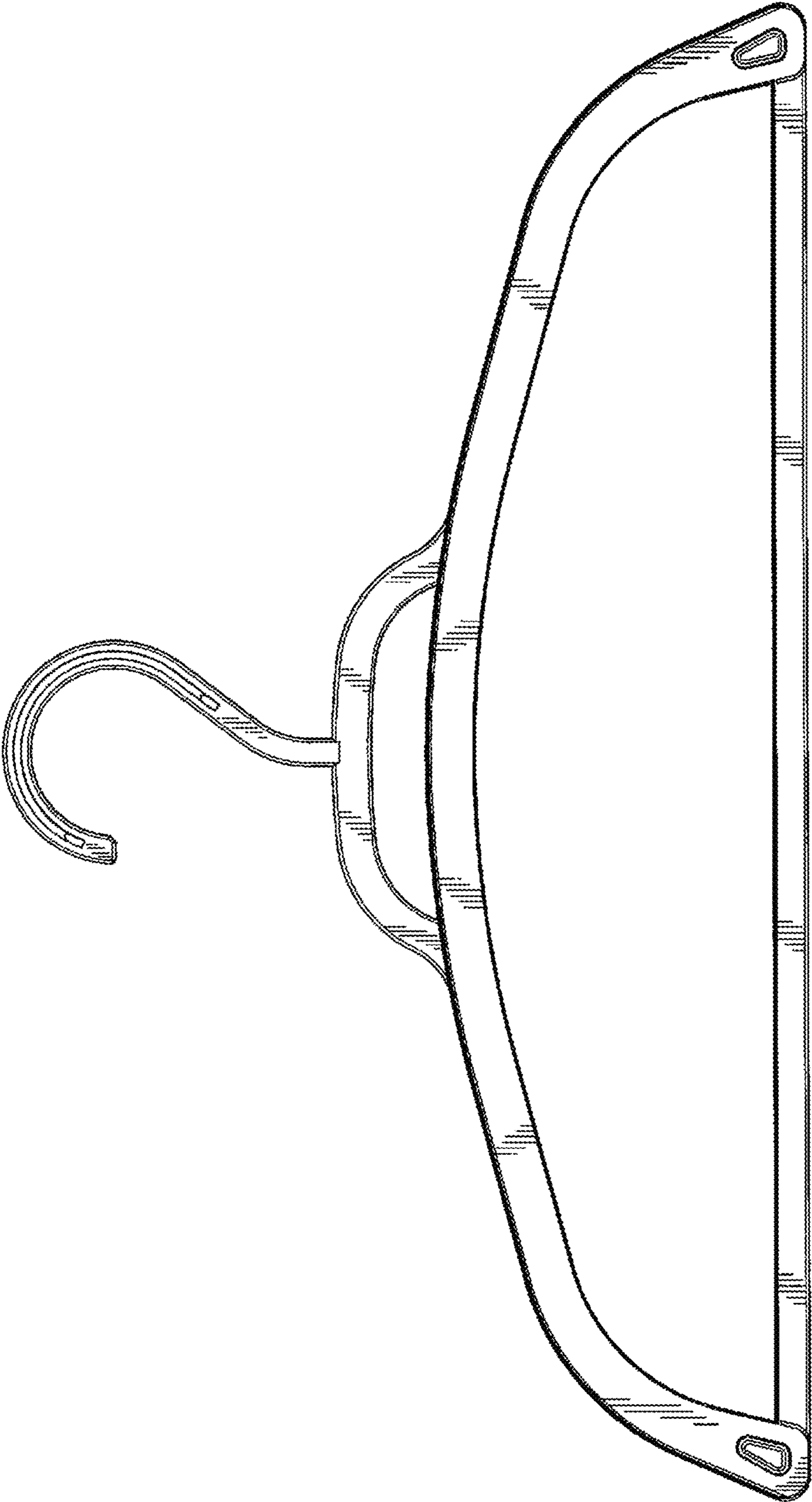


FIG.5

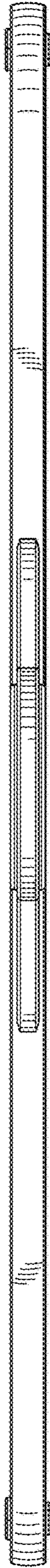


FIG. 6

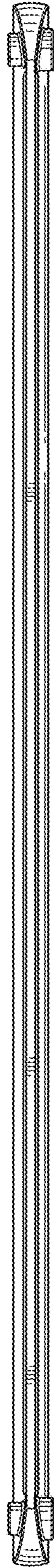


FIG. 7

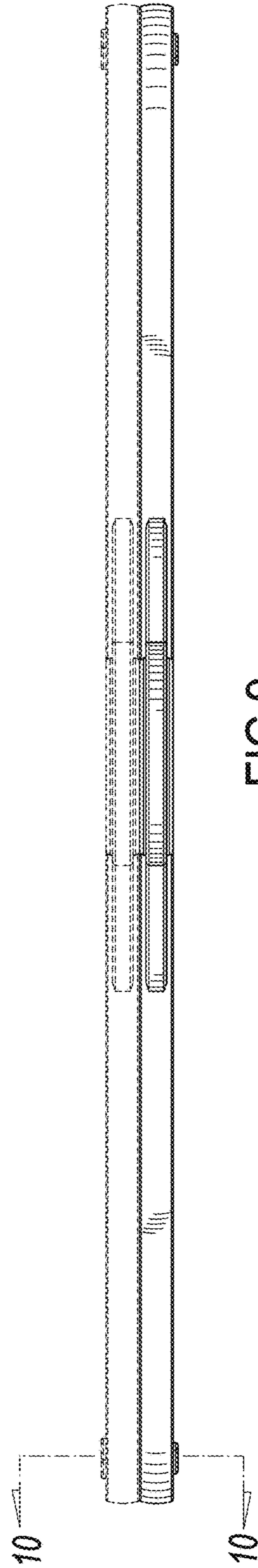


FIG. 9

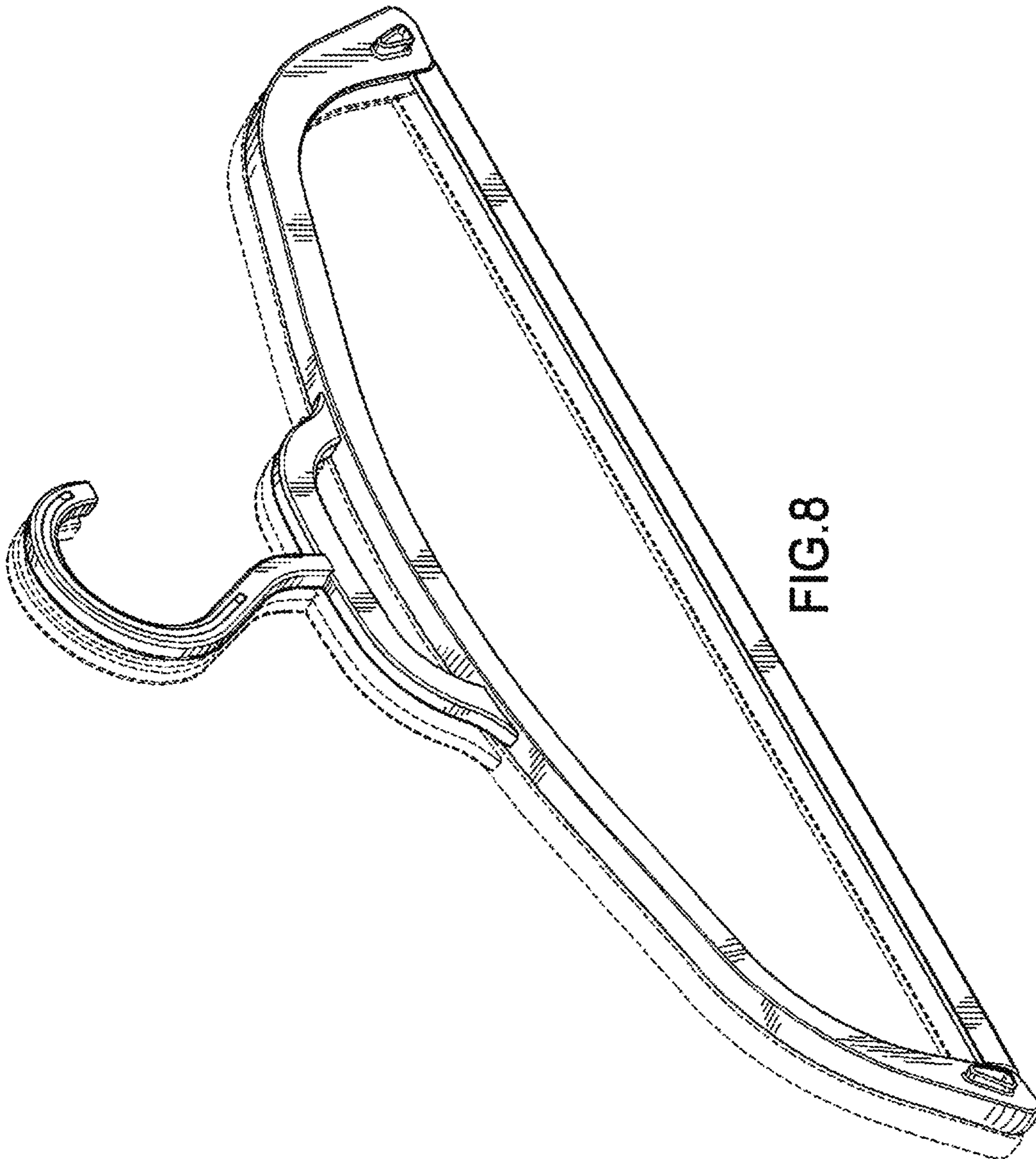


FIG. 8

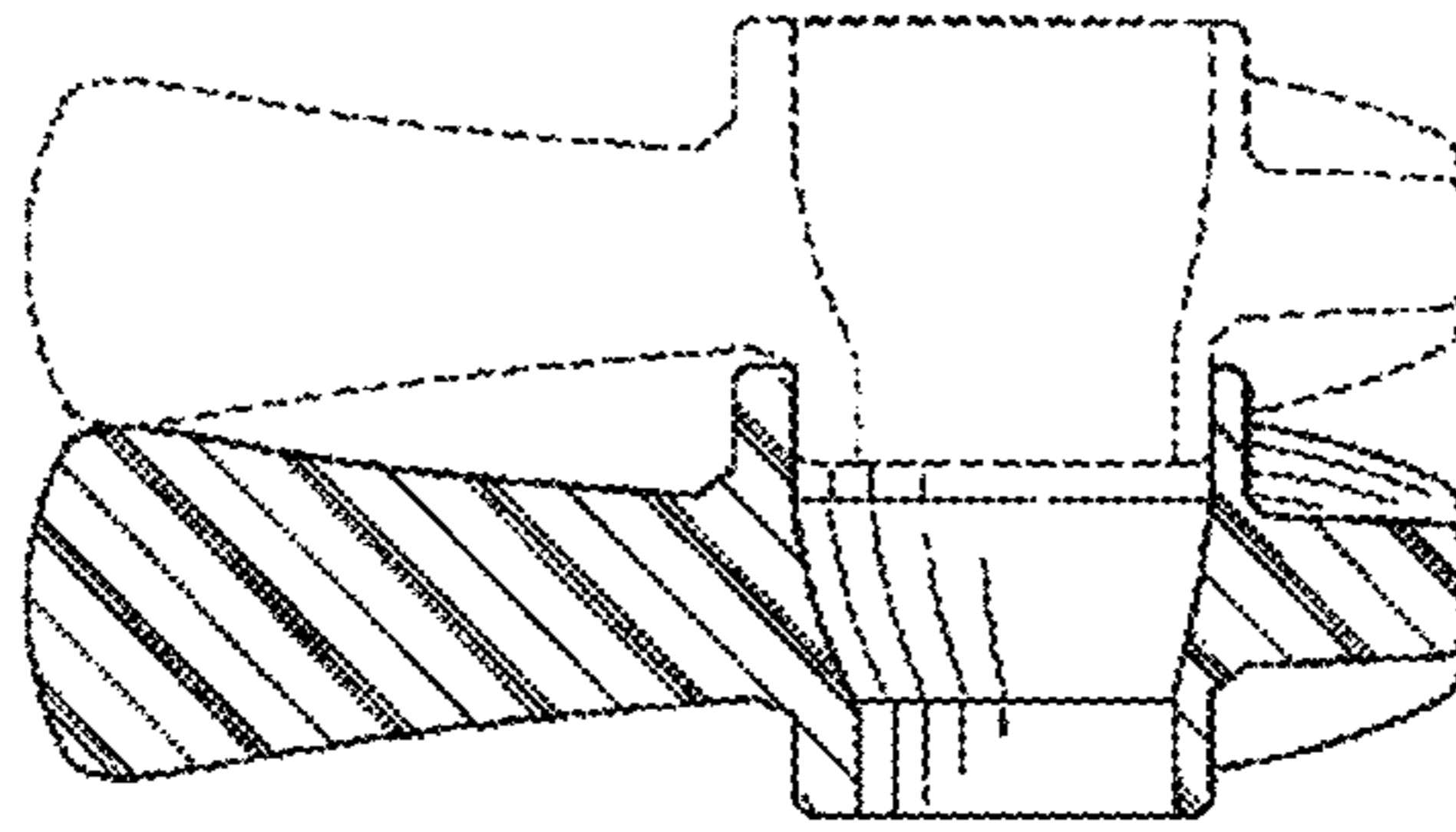


FIG. 10