



US00D786566S

(12) **United States Design Patent** (10) **Patent No.:** **US D786,566 S**
Chaffee et al. (45) **Date of Patent:** **** May 16, 2017**

(54) **HANDLE FOR A CLEANING TOOL**

(71) Applicant: **3M INNOVATIVE PROPERTIES COMPANY**, St. Paul, MN (US)

(72) Inventors: **Matthew D. Chaffee**, Minneapolis, MN (US); **Mark W. Baldwin**, Woodbury, MN (US)

(73) Assignee: **3M INNOVATIVE PROPERTIES COMPANY**, St. Paul, MN (US)

(**) Term: **15 Years**

(21) Appl. No.: **29/535,762**

(22) Filed: **Aug. 10, 2015**

(51) **LOC (10) Cl.** **04-02**

(52) **U.S. Cl.**
USPC **D4/138**

(58) **Field of Classification Search**
USPC D4/100, 102, 116, 117, 118, 128, 129, D4/138; D8/107, 300, 307; D24/40, 42, D24/49
CPC A46B 5/00; A46B 5/0079; A46B 5/021; A46B 5/026; A46B 5/02; A46B 2200/3006; A46B 2200/3013; A46B 2200/304; A47L 9/32; A47L 13/022; A47L 13/24

See application file for complete search history.

(56) **References Cited**

U.S. PATENT DOCUMENTS

D281,743 S *	12/1985	Thompson	D4/121
D349,193 S *	8/1994	Sloan	D32/42
D351,285 S *	10/1994	Joyner	D28/63
D353,940 S *	1/1995	Joyner	D28/63
D418,304 S *	1/2000	Ancona	D4/114
D424,306 S *	5/2000	Strum	D4/121
D424,368 S *	5/2000	Rosenthal	D7/395
D439,051 S *	3/2001	White	D4/102
D445,257 S *	7/2001	Hay	D4/120

D448,176 S *	9/2001	Petner	D4/119
6,349,443 B1 *	2/2002	Randolph	A46B 9/02 15/106
D468,539 S *	1/2003	Petner	D4/119
D485,151 S *	1/2004	Lee	D8/107
D495,882 S *	9/2004	Berti	D4/138
D495,883 S *	9/2004	Berti	D4/138
D498,057 S *	11/2004	Ashley	D4/114
D501,606 S *	2/2005	Belt	D4/102
D518,642 S *	4/2006	Blaustein	D4/100
D524,549 S *	7/2006	Ajluni	D4/128
D540,543 S *	4/2007	Hay	D4/118

(Continued)

Primary Examiner — John Windmuller

Assistant Examiner — Steven Czyz

(74) *Attorney, Agent, or Firm* — Irina Hass

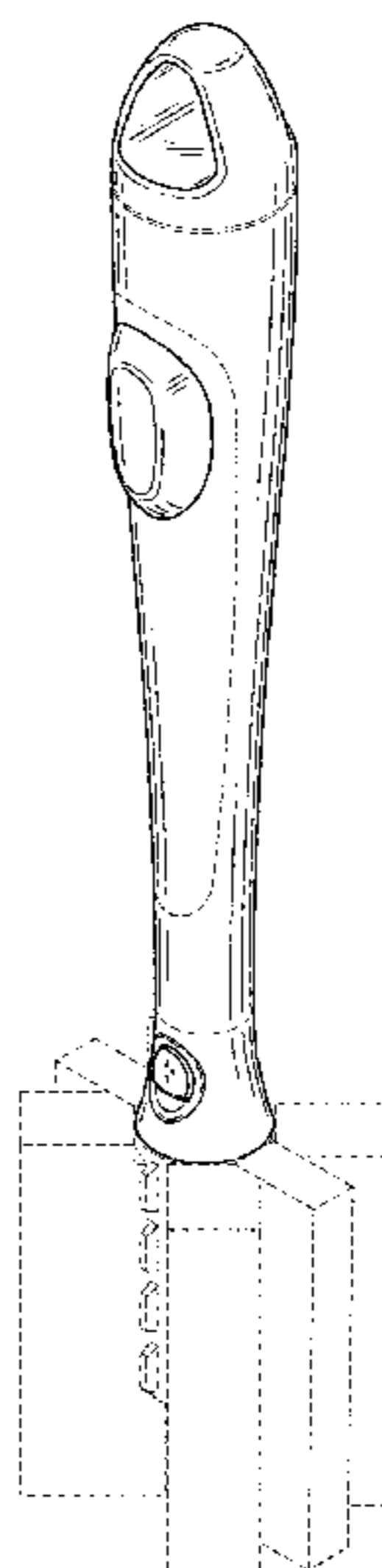
(57) **CLAIM**

The ornamental design for a handle for a cleaning tool, as shown and described.

DESCRIPTION

FIG. 1 is a perspective view of a handle for a cleaning tool showing the new design;
 FIG. 2 is a front view thereof;
 FIG. 3 is a right side view thereof, a left side view being a mirror image thereof;
 FIG. 4 is a rear view thereof;
 FIG. 5 is a top view thereof;
 FIG. 6 is a bottom view thereof;
 FIG. 7 is a perspective view of the handle for a cleaning tool, shown with alternate environment;
 FIG. 8 is a front view thereof;
 FIG. 9 is a right side view thereof, a left side view being a mirror image thereof;
 FIG. 10 is a rear view thereof;
 FIG. 11 is a top view thereof; and,
 FIG. 12 is a bottom view thereof.
 The broken lines depict portions of the article that form no part of the claimed design.

1 Claim, 6 Drawing Sheets



(56)

References Cited

U.S. PATENT DOCUMENTS

D559,490	S	*	1/2008	Hay	D32/52
D577,200	S	*	9/2008	Meyer	D4/119
D577,202	S	*	9/2008	Meyer	D4/119
D581,676	S	*	12/2008	Libman	D4/128
D598,200	S	*	8/2009	DiAntonio	D4/116
D624,755	S	*	10/2010	Luis	D4/111
D647,703	S	*	11/2011	Li	D4/128
D667,065	S	*	9/2012	Cavanagh	D21/725
D690,945	S	*	10/2013	Williams	D4/128
D693,128	S	*	11/2013	Williams	D4/128
D694,018	S	*	11/2013	Williams	D4/128
D700,498	S	*	3/2014	Carter	B27C 7/06
						D8/107
D714,065	S	*	9/2014	Chitayat	D4/128
D730,711	S	*	6/2015	Chaffee	D8/107
D761,568	S	*	7/2016	Harrington	D4/138
D772,580	S	*	11/2016	Harrington	D4/138

* cited by examiner

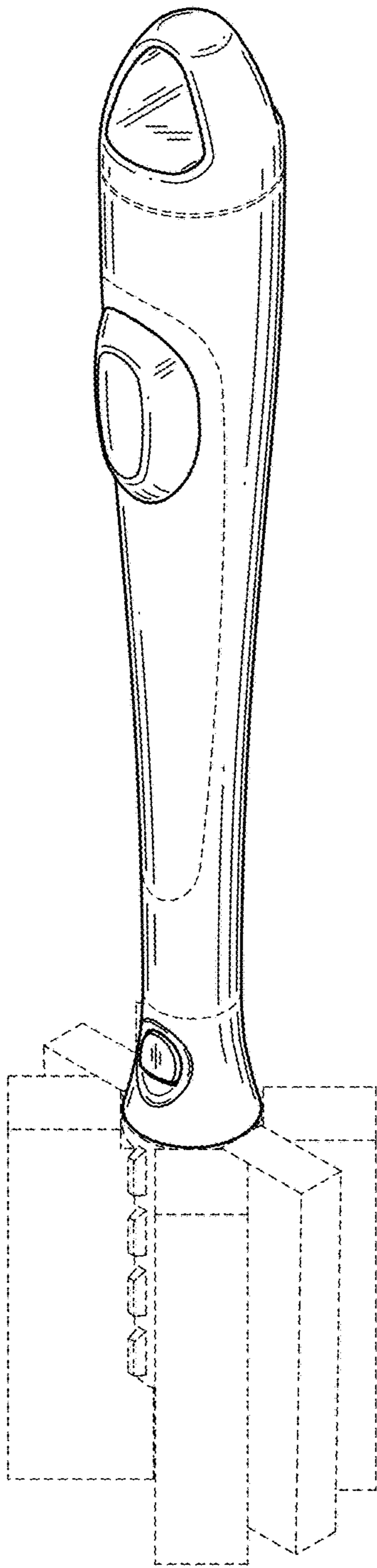


FIG. 1

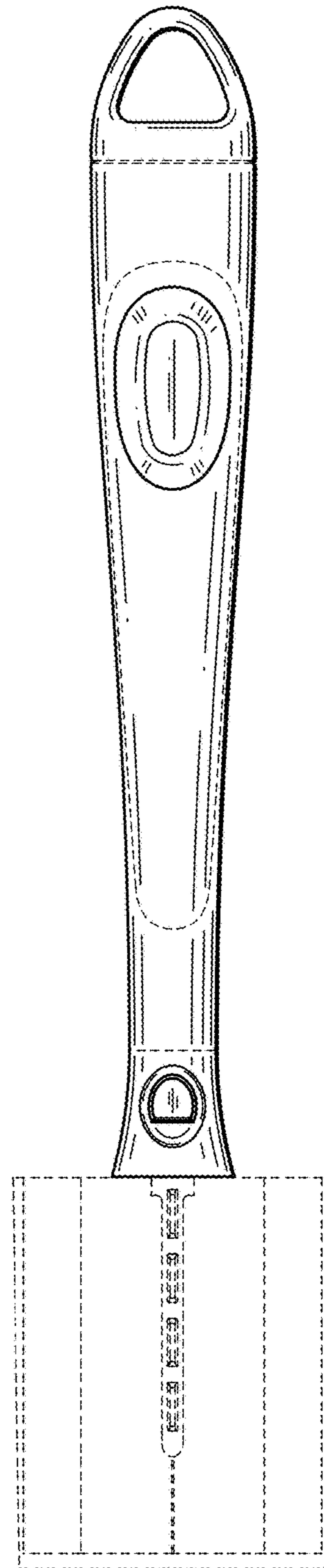


FIG. 2

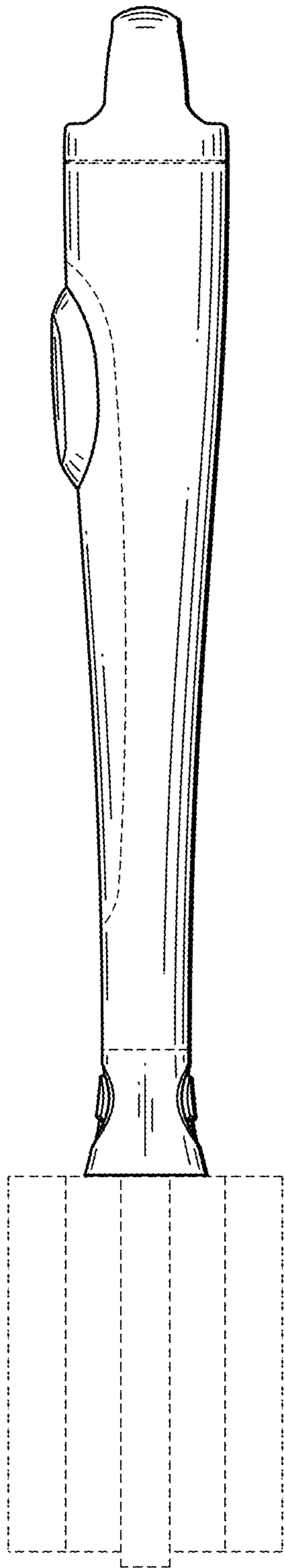


FIG. 3

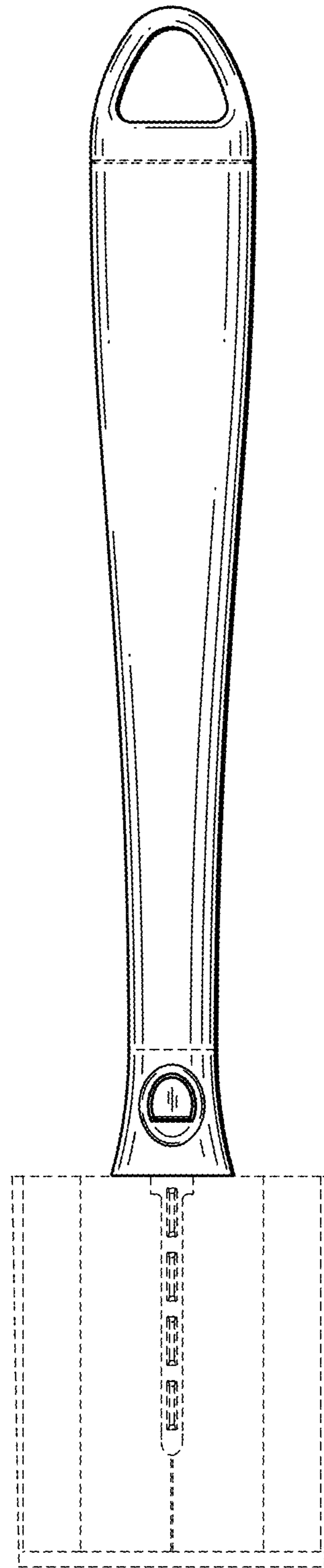


FIG. 4

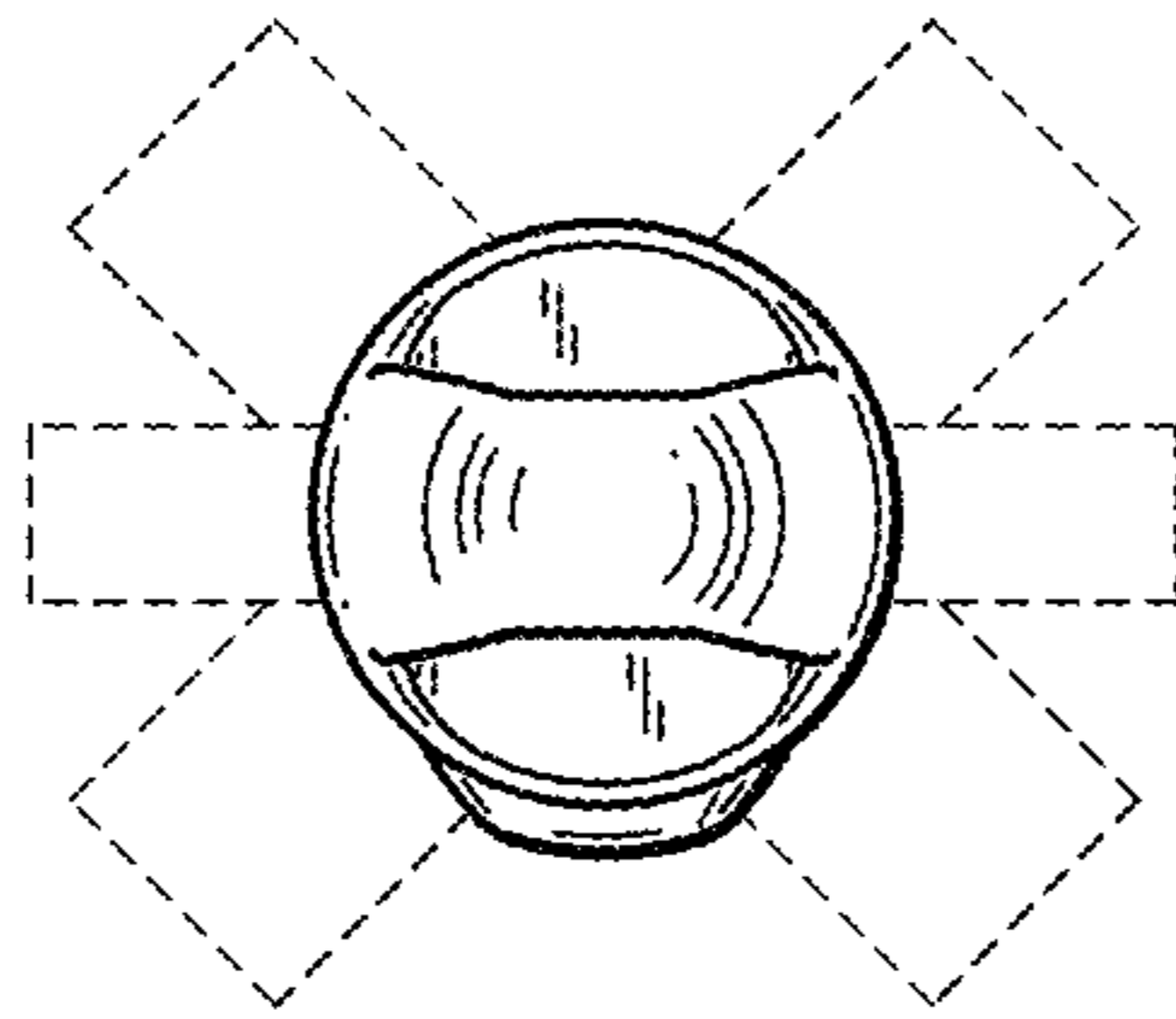


FIG. 5

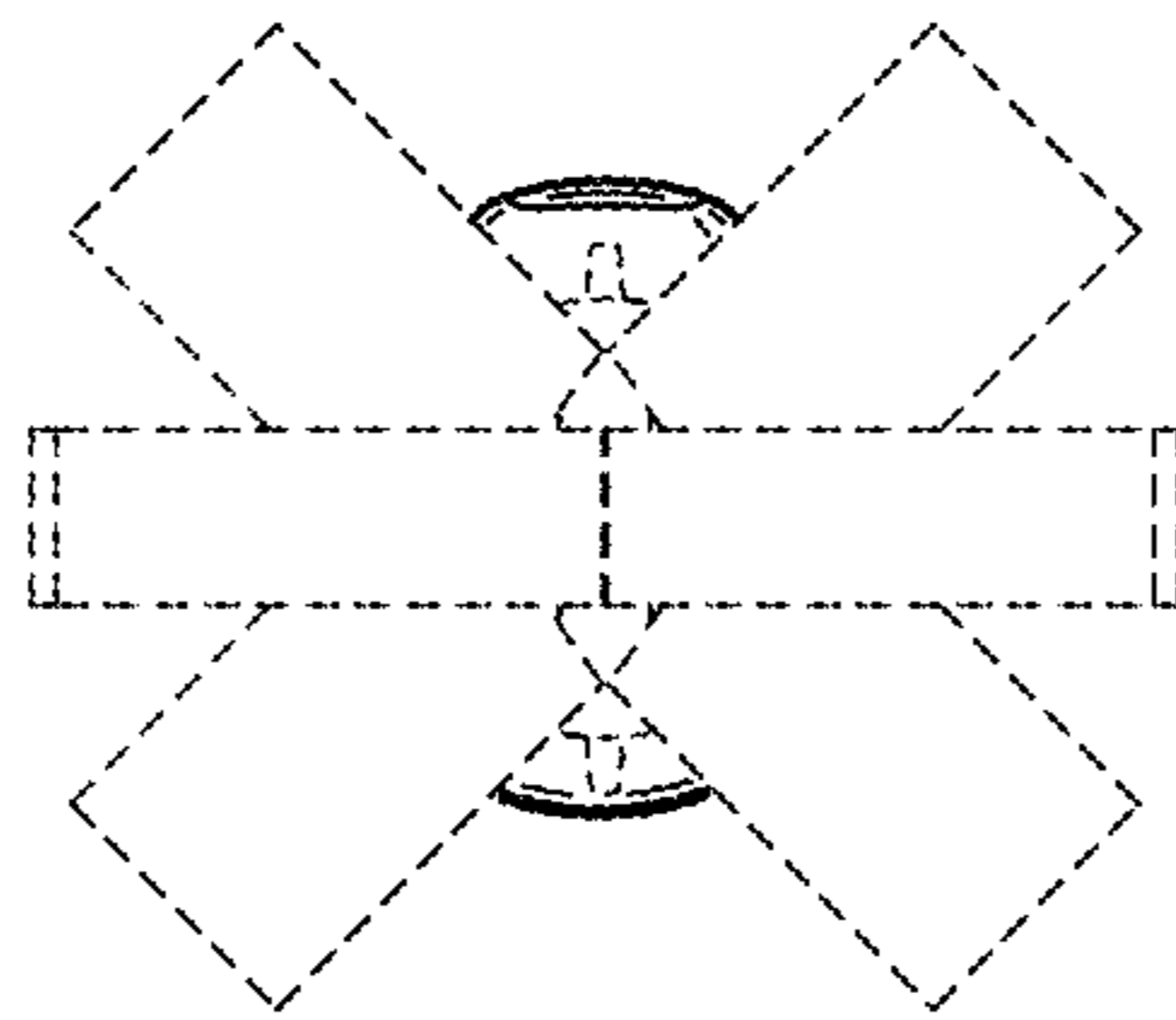


FIG. 6

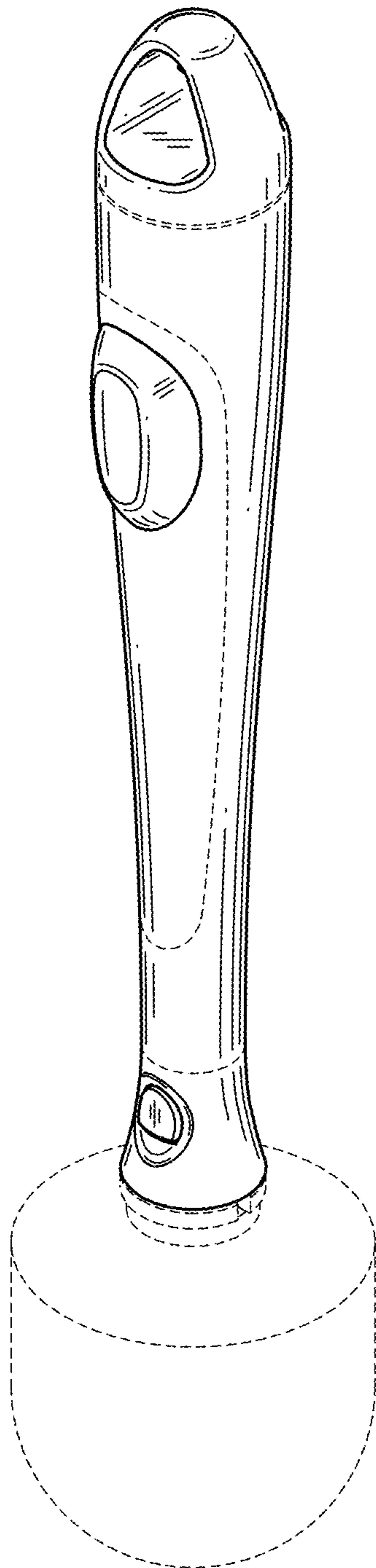


FIG. 7

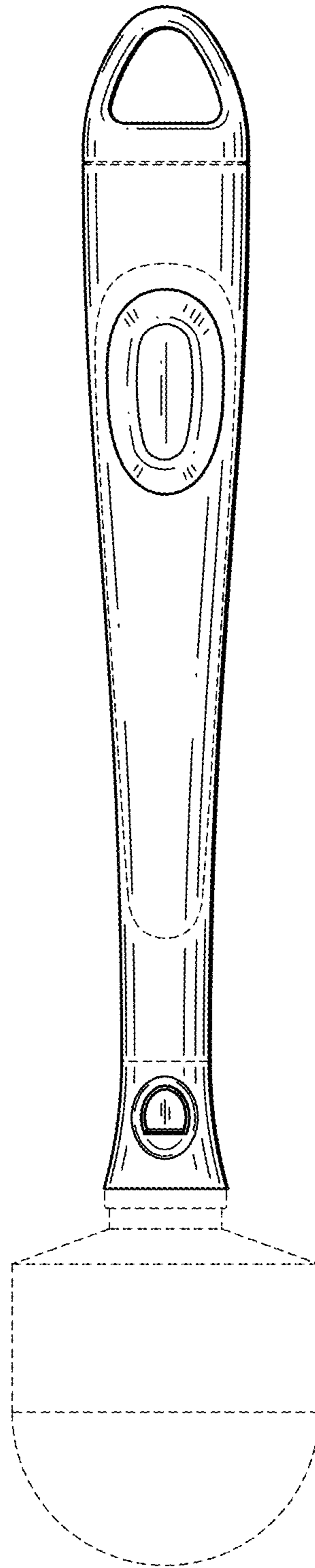


FIG. 8

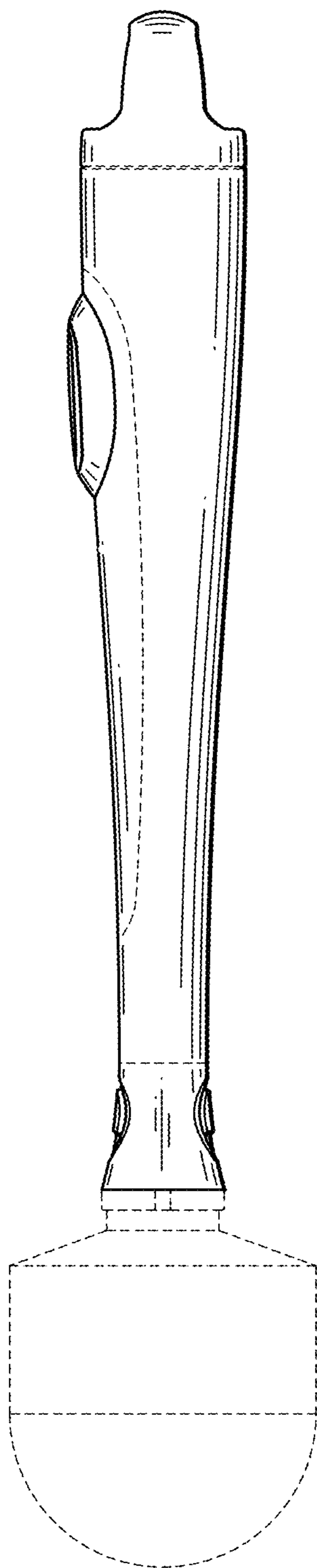


FIG. 9

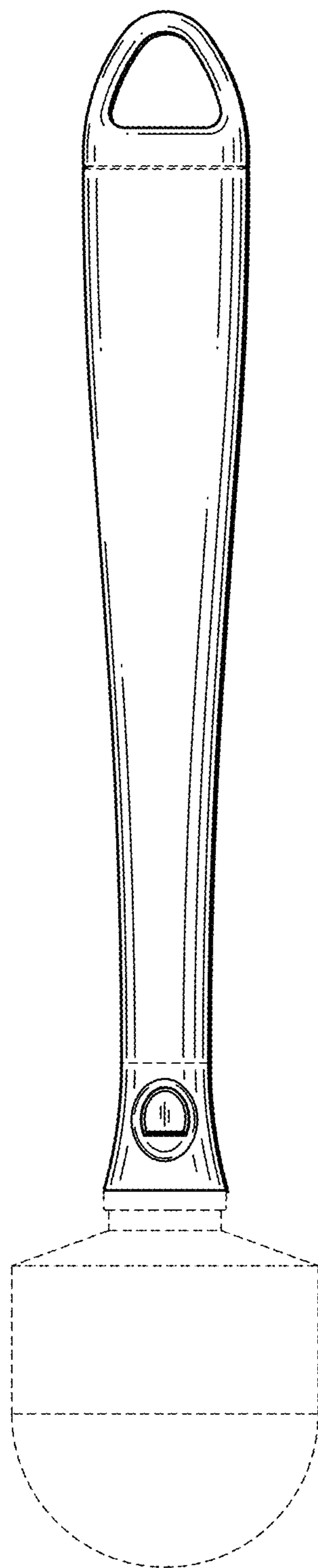


FIG. 10

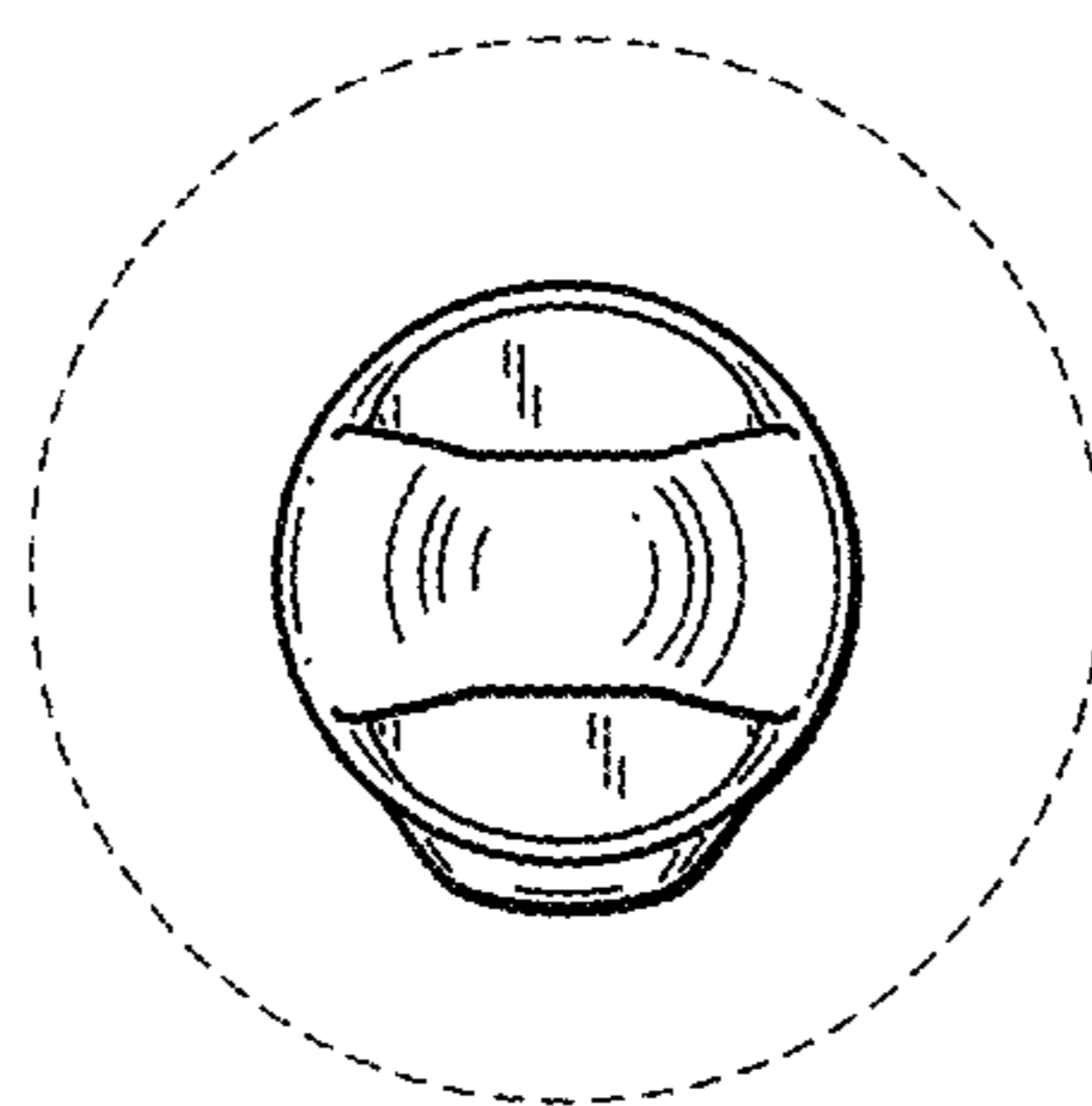


FIG. 11

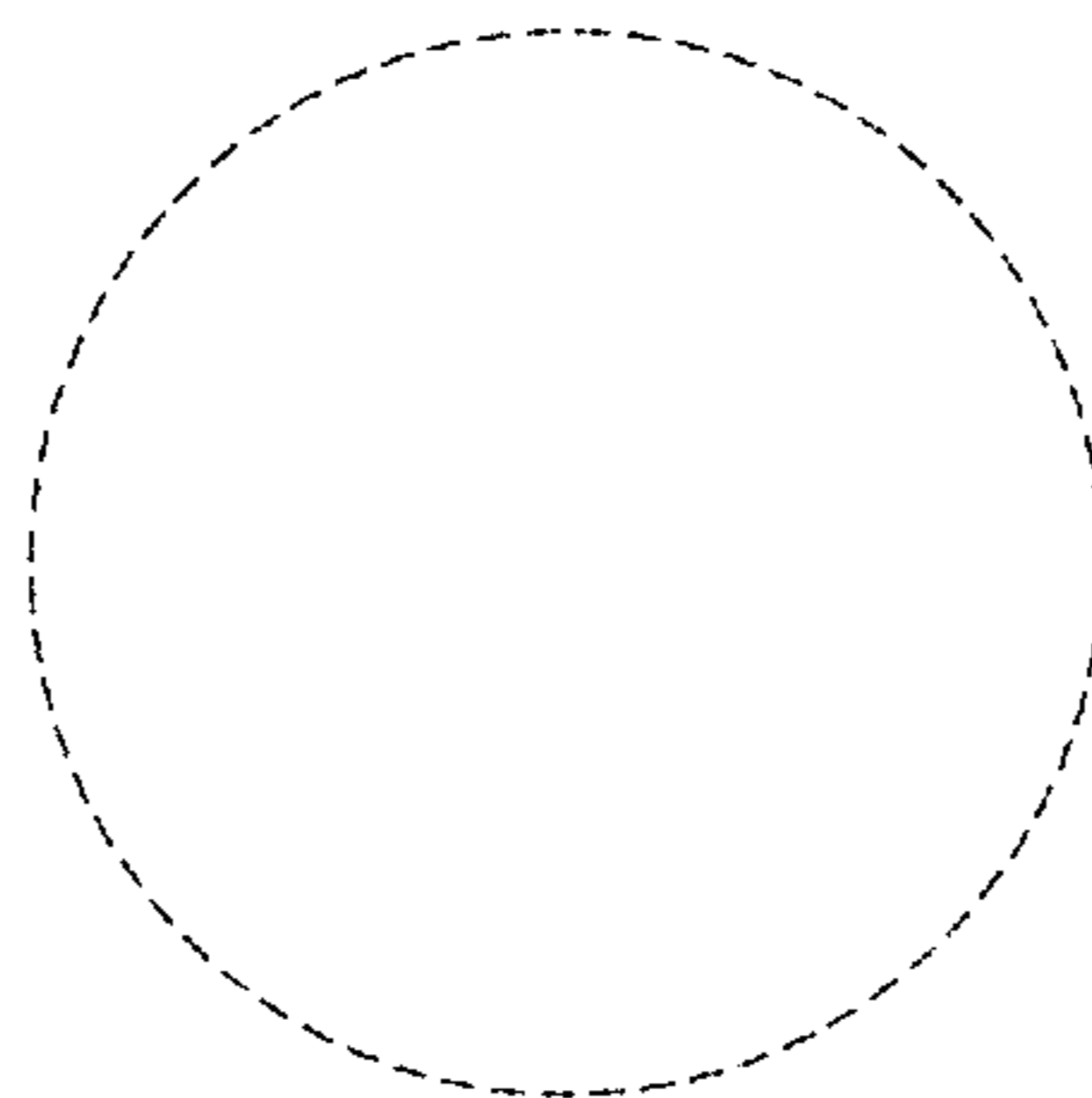


FIG. 12