



US00D786563S

(12) **United States Design Patent** (10) **Patent No.:** **US D786,563 S**
Triato (45) **Date of Patent:** **** May 16, 2017**

(54) **MULTI-FUNCTION ORAL CARE KIT**

(71) Applicant: **Patrick R. Triato**, Portland, OR (US)

(72) Inventor: **Patrick R. Triato**, Portland, OR (US)

(73) Assignee: **Goodwell LLC**, Portland, OR (US)

(**) Term: **15 Years**

(21) Appl. No.: **29/534,406**

(22) Filed: **Jul. 28, 2015**

(51) **LOC (10) Cl.** **04-02**

(52) **U.S. Cl.**
USPC **D4/104**

(58) **Field of Classification Search**
USPC D4/104, 108, 109, 110, 113, 116, 121,
D4/132, 199; D3/201, 203.1, 203.3,
(Continued)

(56) **References Cited**

U.S. PATENT DOCUMENTS

D340,353 S * 10/1993 Benarrouch D28/83
D351,237 S * 10/1994 Dock D24/229
(Continued)

Primary Examiner — John Windmuller

Assistant Examiner — Steven Czyz

(74) *Attorney, Agent, or Firm* — Mersenne Law

(57) **CLAIM**

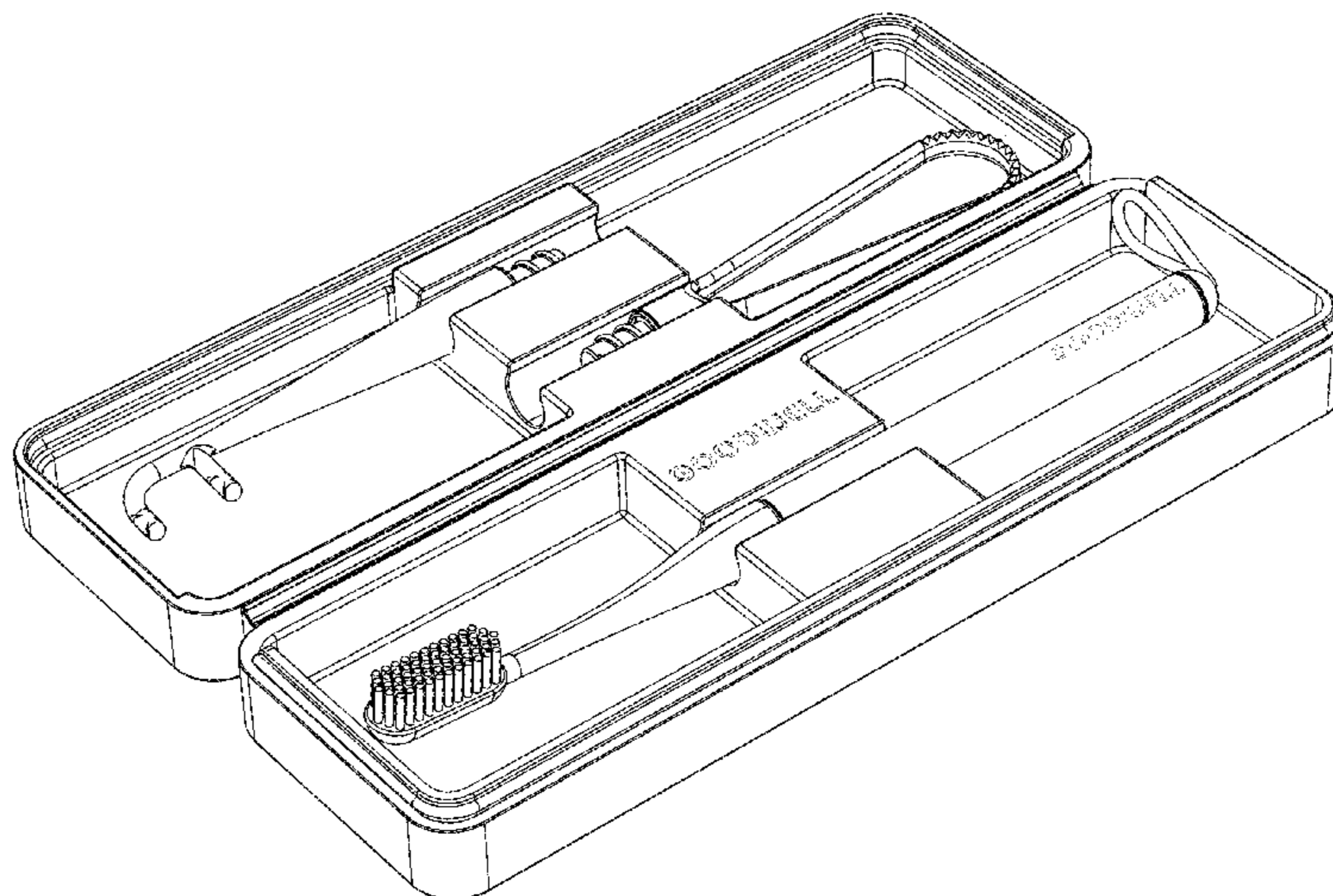
I claim the ornamental design for a multi-function oral care kit, as shown and described.

DESCRIPTION

FIG. 1 is a perspective view of a multi-function oral care kit;
FIG. 2 is a top plan view of the case shown in a closed position;
FIG. 3 is a front plan view thereof;

FIG. 4 is a rear plan view thereof;
FIG. 5 is a left plan view, the right plan view is a mirror image thereof;
FIG. 6 is a cross-sectional view taken along the line 6-6 of FIG. 2, indicating the positions of the interchangeable tools within the closed case;
FIG. 7 is a top plan view of the case shown in an open position;
FIG. 8 is a perspective view of the handle attached to the interchangeable toothbrush tool head;
FIG. 9 is a front view thereof;
FIG. 10 is a left side view, the right side view is a mirror image thereof;
FIG. 11 is a back view thereof;
FIG. 12 is a front view of the toothbrush tool head alone;
FIG. 13 is a right side view of the toothbrush tool head alone; the left side view is a mirror image thereof;
FIG. 14 is a perspective view of the handle attached to the interchangeable tongue scraper tool head;
FIG. 15 is a front view thereof;
FIG. 16 is a left side view, the right side view is a mirror image thereof;
FIG. 17 is a back view thereof;
FIG. 18 is a front view of the tongue scraper tool head alone;
FIG. 19 is a right side view of the tongue scraper tool head alone; the left side view is a mirror image thereof;
FIG. 20 is a perspective view of the handle attached to the interchangeable floss holder tool head;
FIG. 21 is a front view thereof;
FIG. 22 is a left side view, the right side view is a mirror image thereof;
FIG. 23 is a back view thereof;
FIG. 24 is a front view of the floss holder tool head alone; and,
FIG. 25 is a right side view of the floss holder tool head alone; the left side view is a mirror image thereof.
Dashed lines are directed to environment and form no part of the invention.
The articles in FIGS. 8-25 are shown separately for ease of disclosure.

1 Claim, 6 Drawing Sheets



(58) **Field of Classification Search**

USPC D3/203.6, 205; 15/258; 206/756, 757,
206/223, 581, 83
CPC A47L 23/05; A47F 7/03; B65D 5/5213;
F01M 11/0458; A45C 11/008; A61C
19/10

See application file for complete search history.

(56) **References Cited**

U.S. PATENT DOCUMENTS

D359,163 S * 6/1995 Summerfield D3/205
D365,203 S * 12/1995 Felton, III D3/205
D376,696 S * 12/1996 Vogel, Jr. D4/104
D401,405 S * 11/1998 Kim D3/201
D431,902 S * 10/2000 Mellin D3/203.1
D439,415 S * 3/2001 Mink D4/121
6,353,959 B1 * 3/2002 Thomas, V A46B 5/02
15/143.1
D457,718 S * 5/2002 McDonald D3/205
D474,034 S * 5/2003 McCurrach D4/199
D592,404 S * 5/2009 Toeffler D4/104
D593,317 S * 6/2009 Yao D3/203.6
D625,913 S * 10/2010 Phillips D3/205
D662,320 S * 6/2012 De Leo D3/201
D663,112 S * 7/2012 Fulmer Mason D3/203.3
D667,217 S * 9/2012 Buie, II D3/262
D679,508 S * 4/2013 Rivera D3/205
D695,512 S * 12/2013 Priebe D3/203.3
D746,582 S * 1/2016 Saiz De Soto D3/205

* cited by examiner

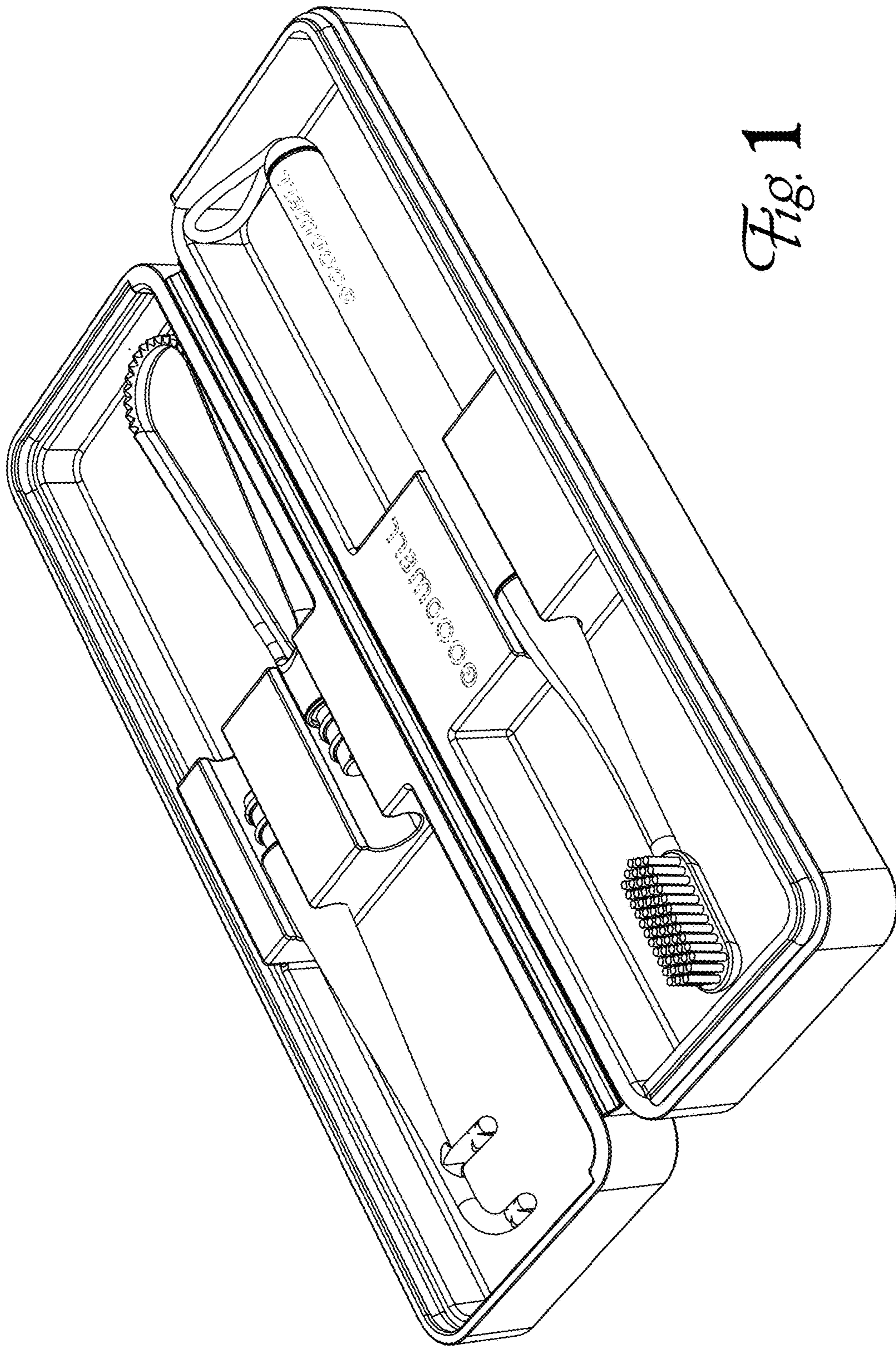


Fig. 1

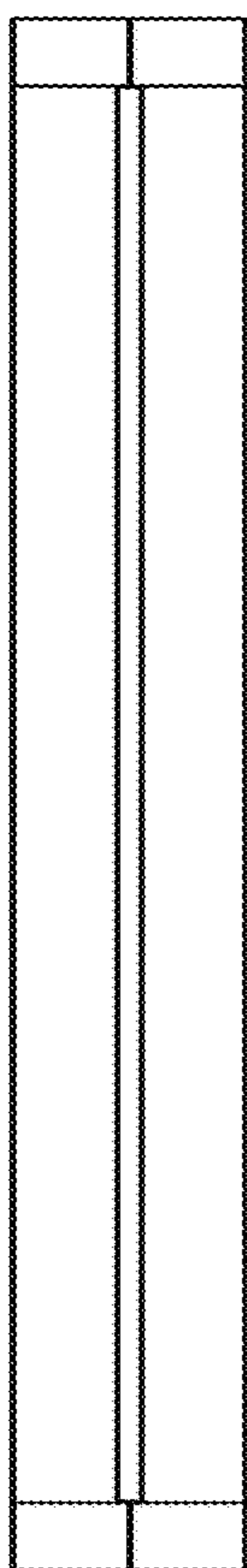


Fig. 4

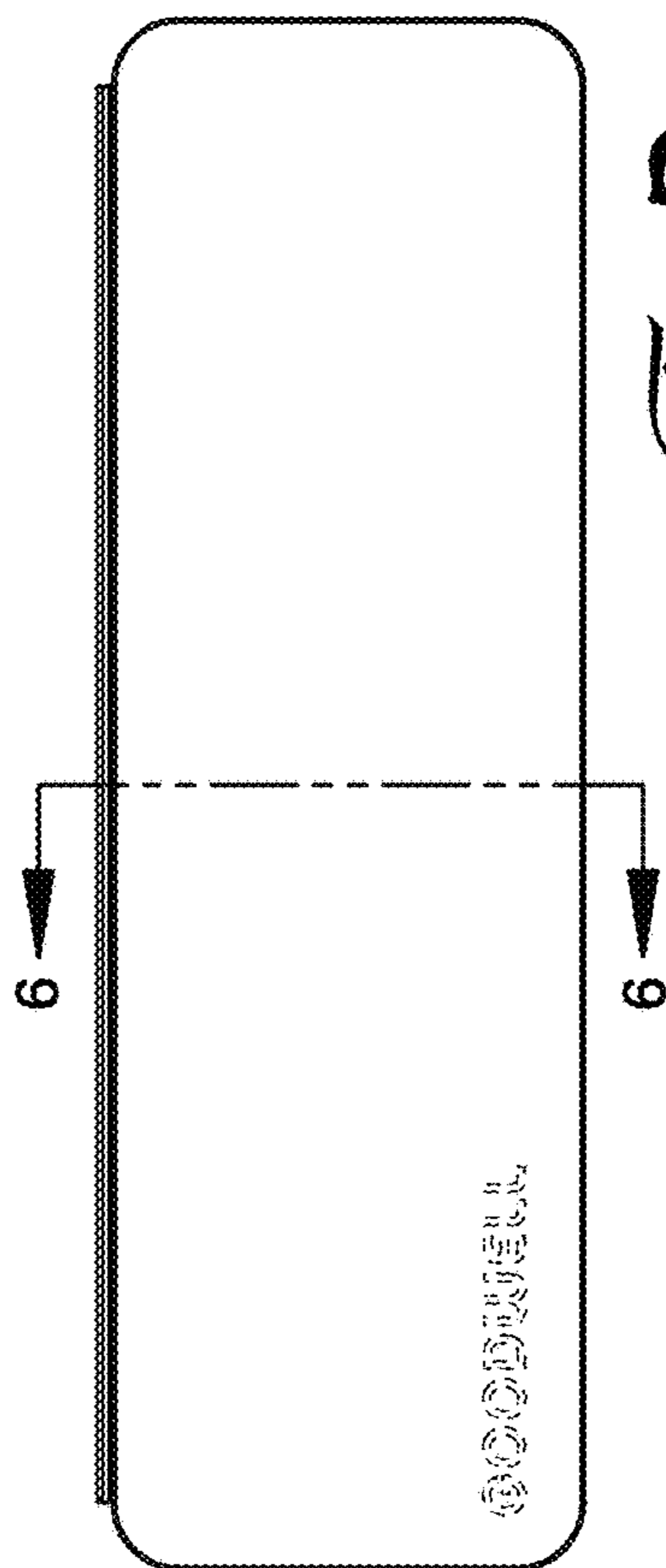


Fig. 2

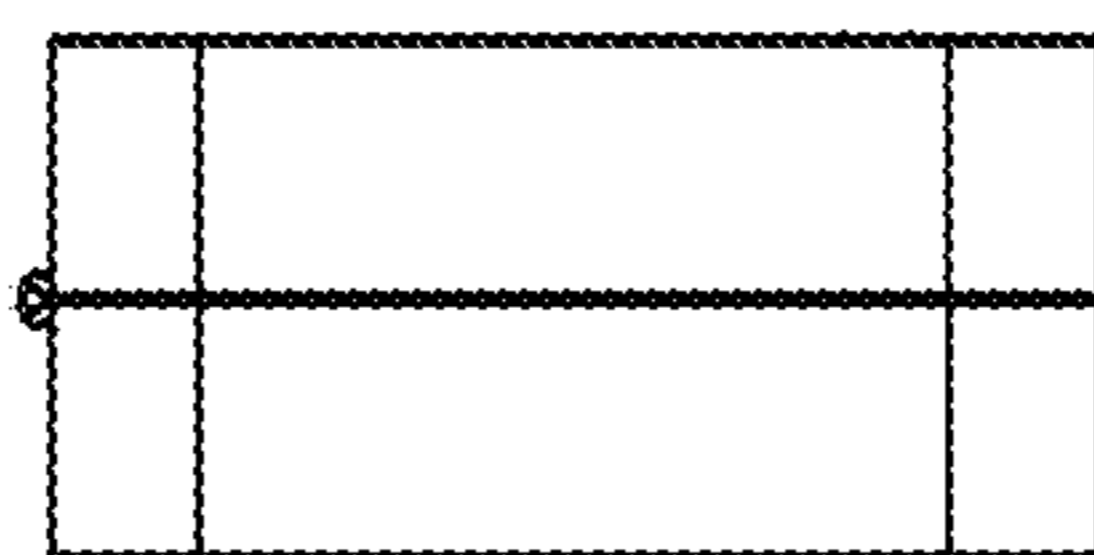


Fig. 5

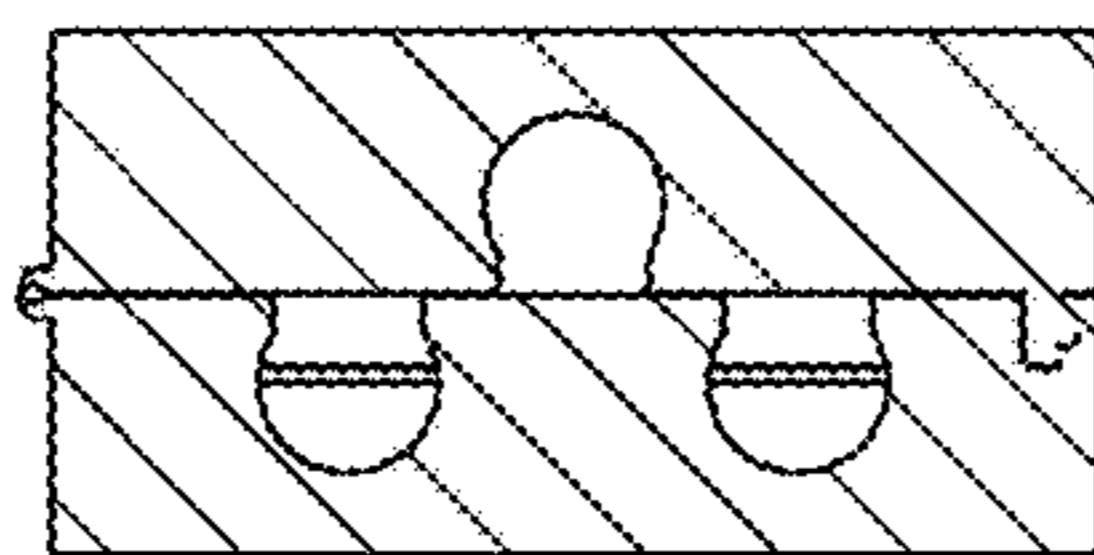


Fig. 6

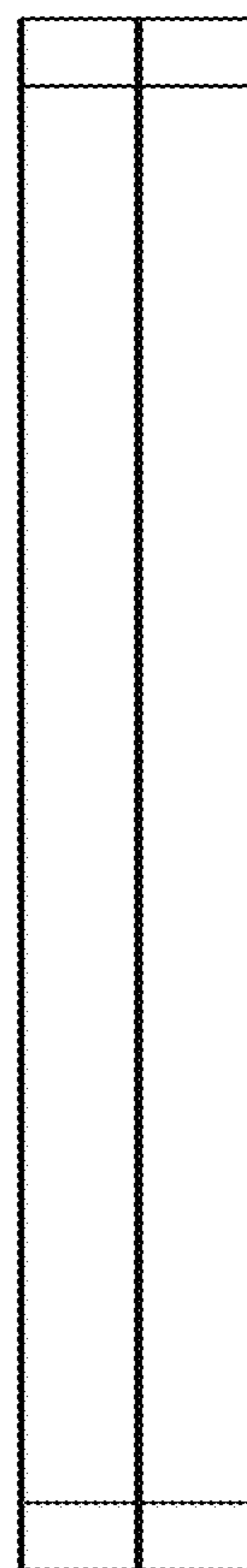


Fig. 3

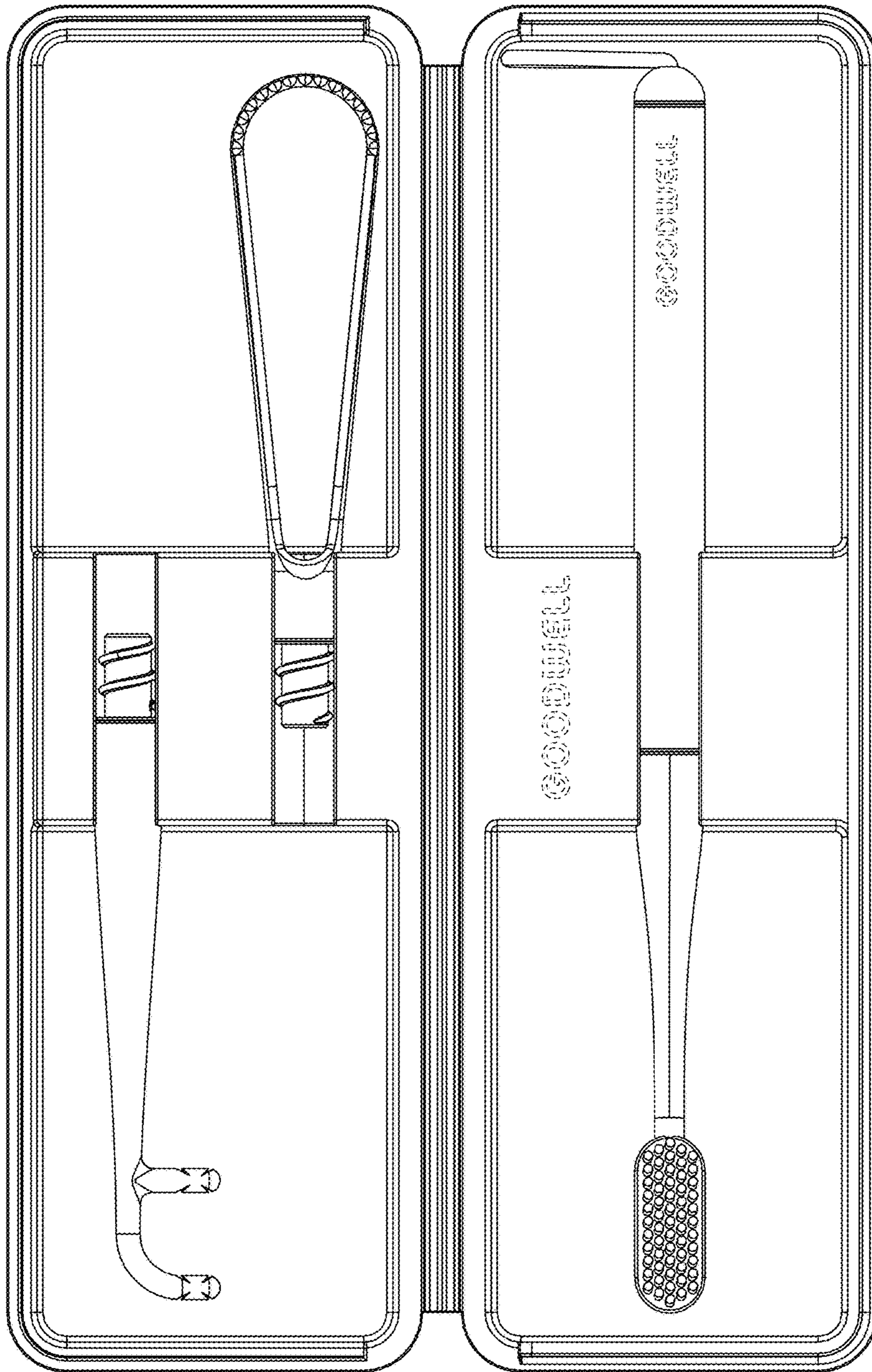


Fig. 7

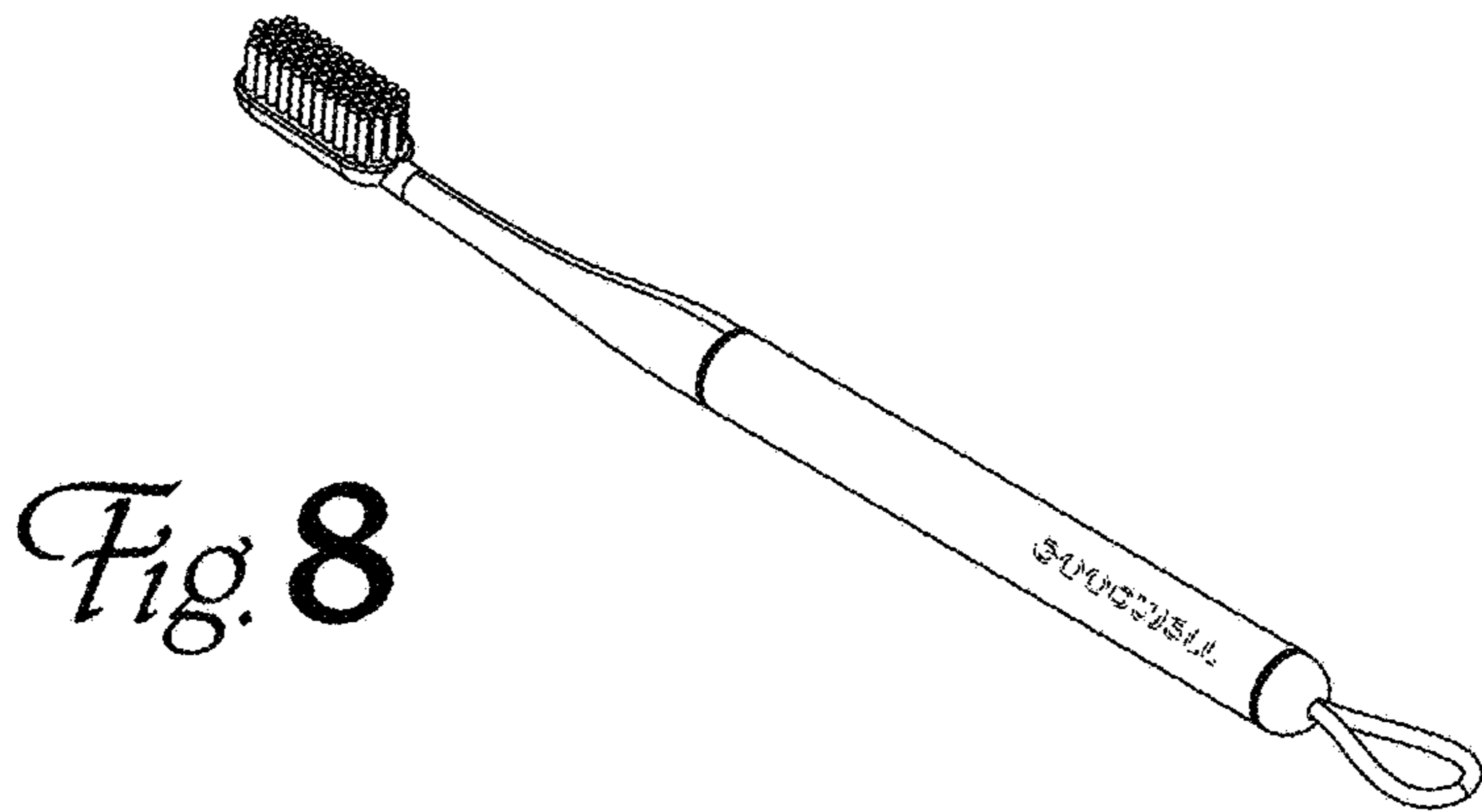


Fig. 8

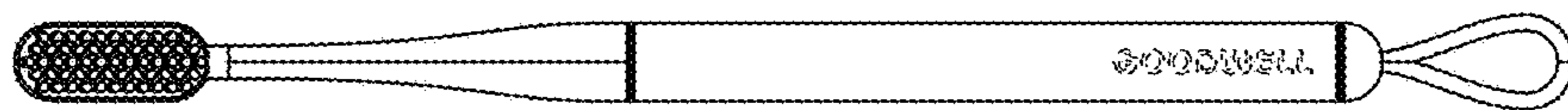


Fig. 9

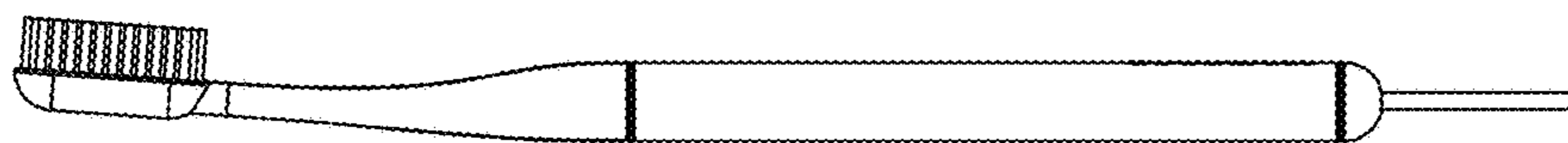


Fig. 10



Fig. 11



Fig. 12



Fig. 13

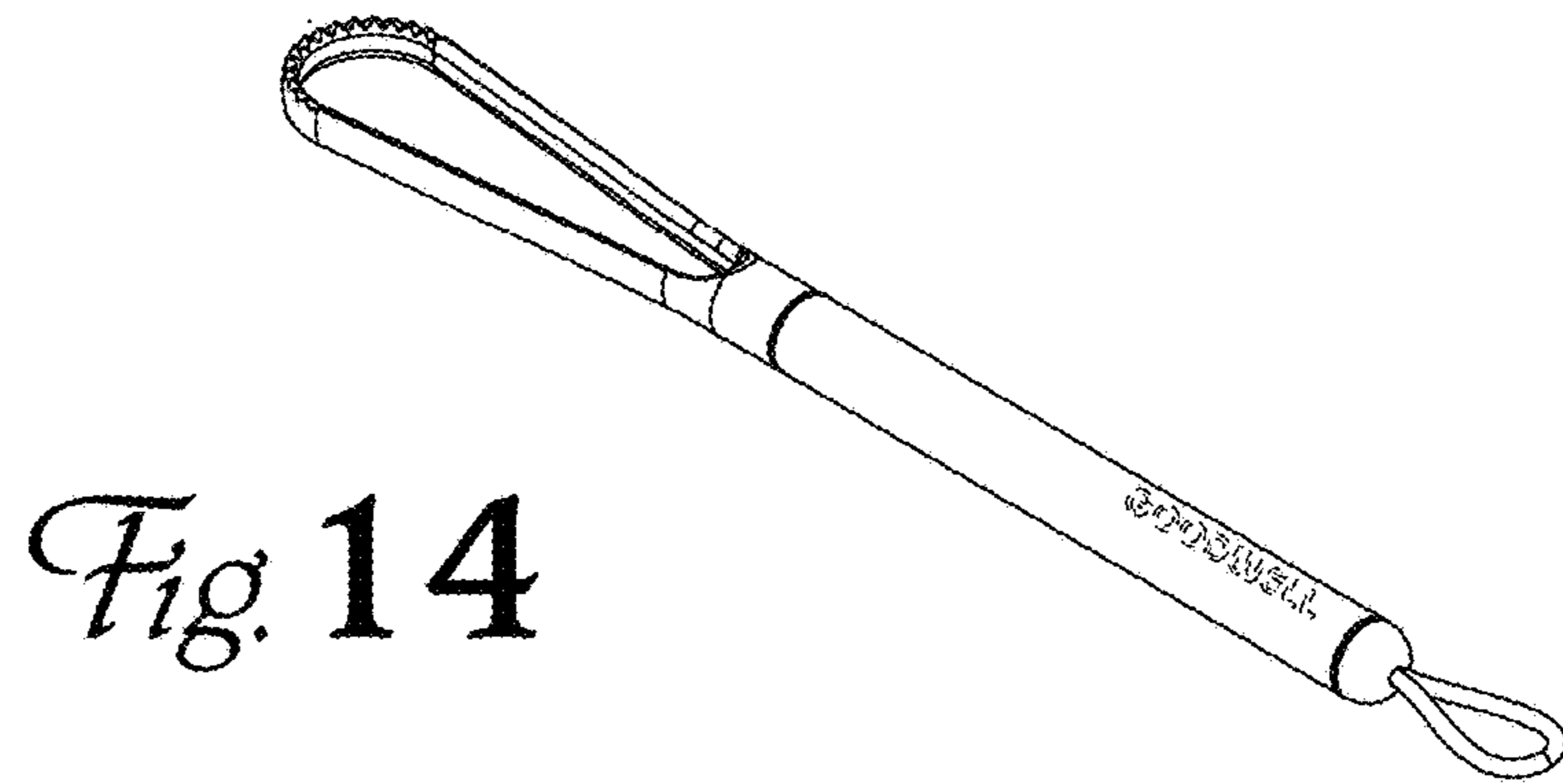


Fig. 14

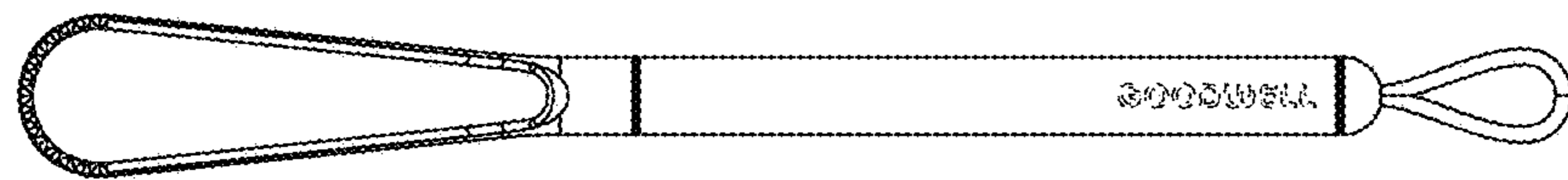


Fig. 15



Fig. 16

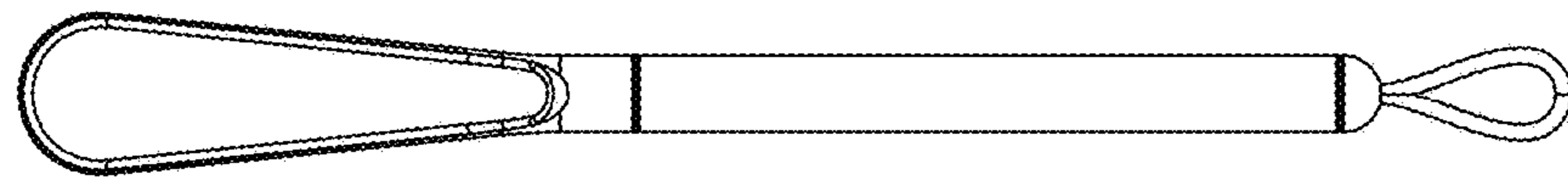


Fig. 17

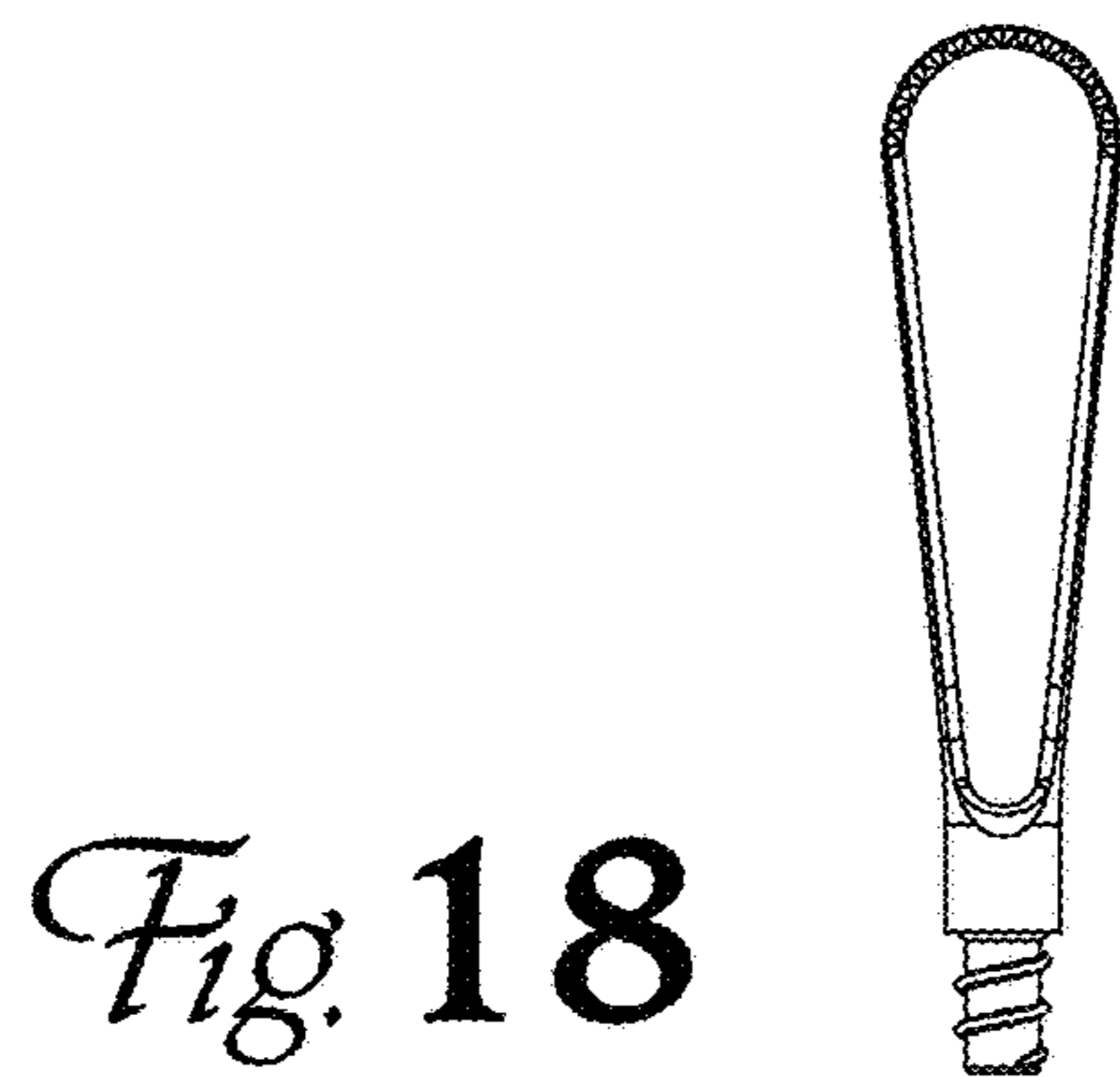


Fig. 18

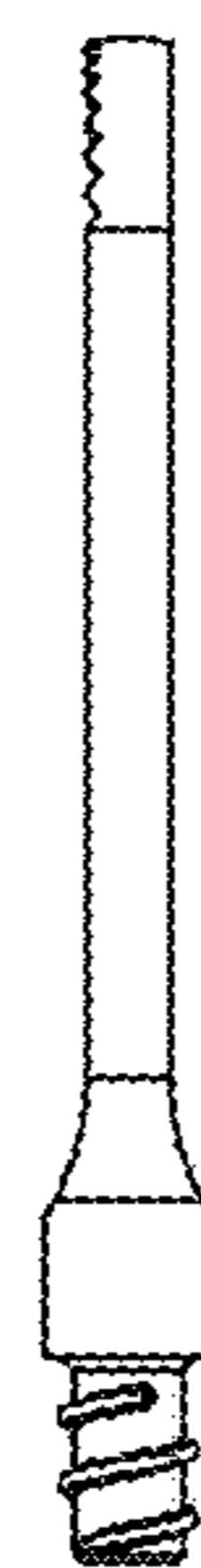


Fig. 19

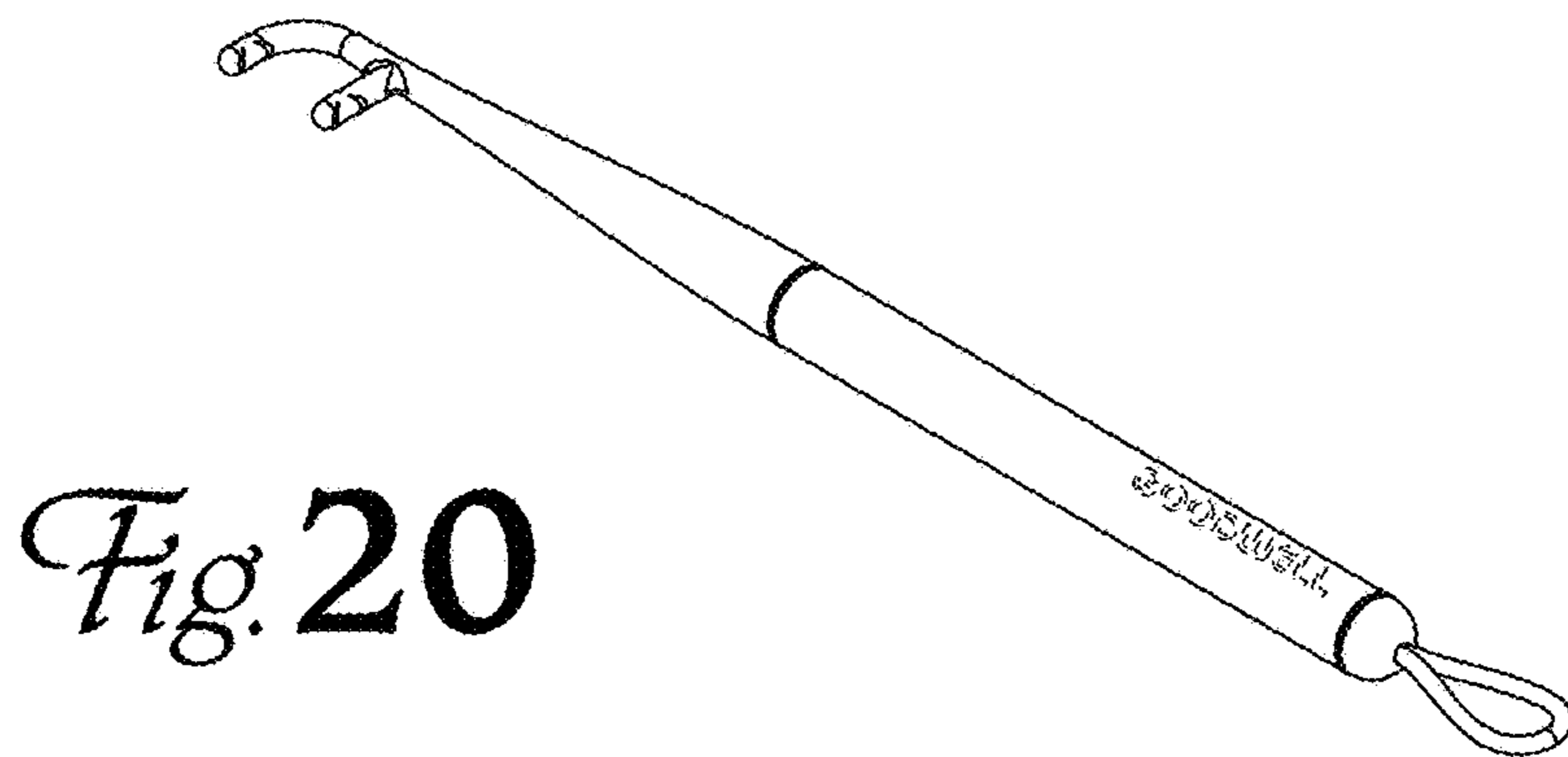


Fig. 20

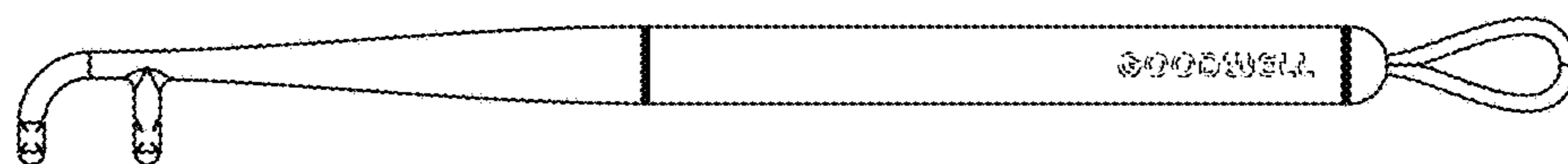


Fig. 21



Fig. 22

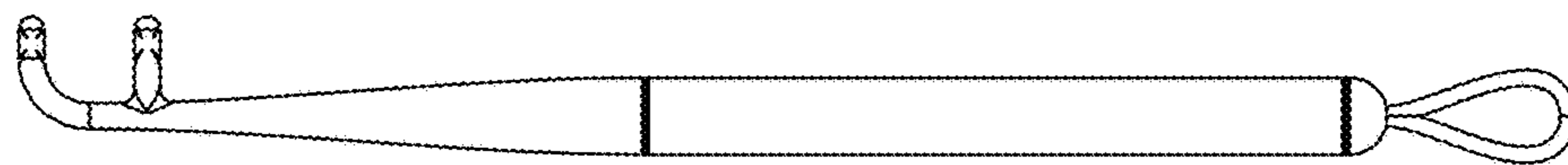


Fig. 23

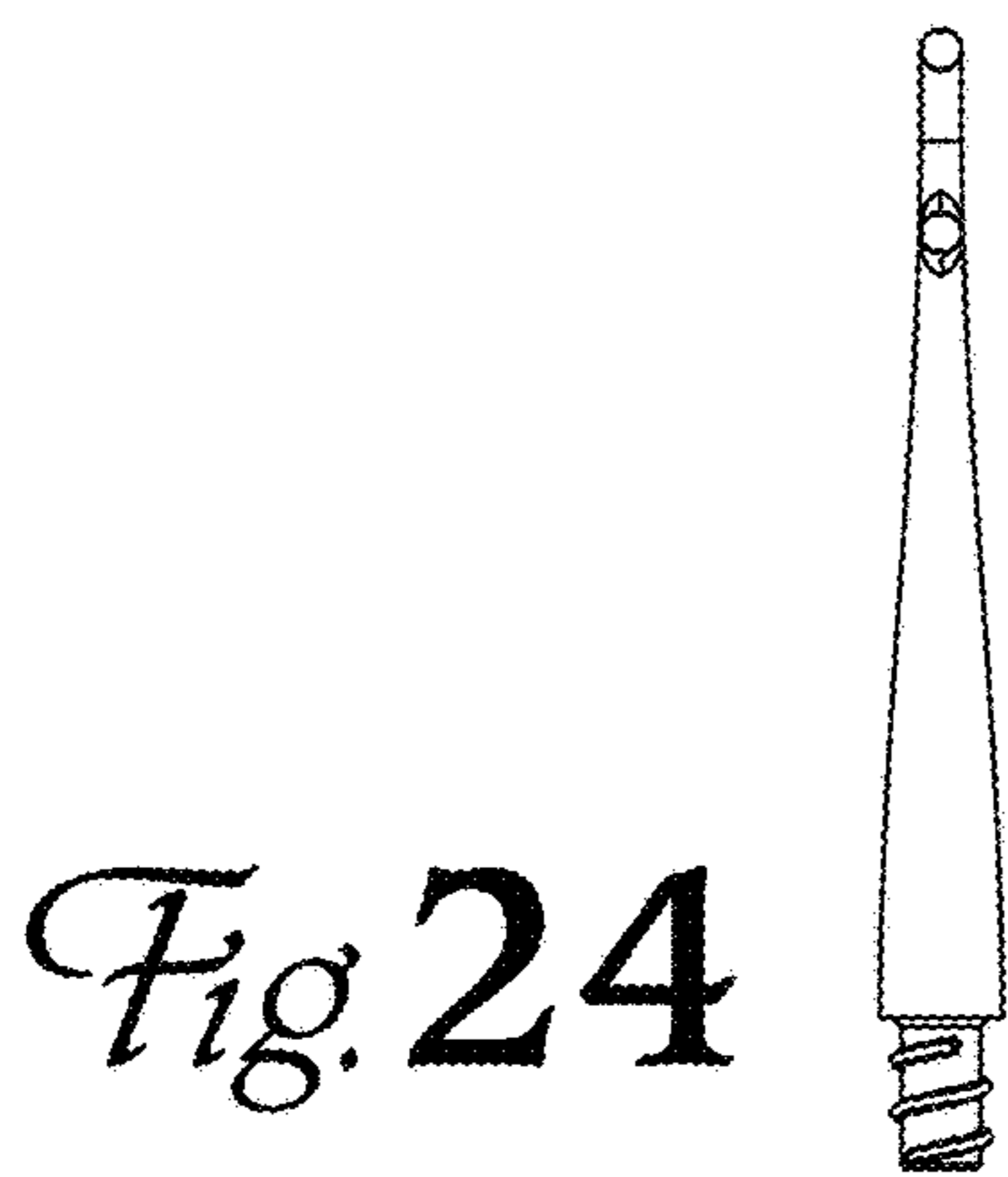


Fig. 24



Fig. 25