



US00D786562S

(12) **United States Design Patent** (10) **Patent No.:** **US D786,562 S**
Seiders et al. (45) **Date of Patent:** **** May 16, 2017**

- (54) **INSULATING DEVICE**
- (71) Applicant: **YETI Coolers, LLC**, Austin, TX (US)
- (72) Inventors: **Roy Joseph Seiders**, Austin, TX (US);
Christopher M. Keller, Austin, TX (US)
- (73) Assignee: **YETI Coolers, LLC**, Austin, TX (US)
- (**) Term: **15 Years**
- (21) Appl. No.: **29/544,624**
- (22) Filed: **Nov. 4, 2015**

Related U.S. Application Data

- (63) Continuation of application No. 29/503,060, filed on Sep. 23, 2014.
- (51) **LOC (10) Cl.** **03-01**
- (52) **U.S. Cl.**
USPC **D3/318**
- (58) **Field of Classification Search**
USPC D7/601-607, 393; D3/217, 221, 226, D3/232, 233, 245, 246, 267, 268, 273, D3/276, 283, 289, 315, 318, 327, D3/213-216, 225, 231, 254, 287, 303, D3/307, 320, 322, 324; 220/592.01, 220/592.09, 592.1, 592.2, 592.25, 694, 220/752, 760; D8/367, 373, 382, 383, D8/499; D30/139
CPC A45C 3/10; A45C 11/00; A45C 11/20; A45C 11/22; A45C 13/008; A45C 13/10; A45C 13/30; A45C 2013/1007; A45C 2013/1015; A45C 5/08; A45C 2200/00; A45C 2200/20; A45C 2003/007; A45C 2003/008; A45C 3/00; A45C 13/22; A63B 29/02; A63B 29/08; A63B 29/028; A45F 3/00; A45F 3/02; A45F 3/14; A45F
(Continued)

(56) **References Cited**
U.S. PATENT DOCUMENTS

2,119,621 A 6/1938 Ferrone
2,289,254 A 7/1942 Eagles
(Continued)

FOREIGN PATENT DOCUMENTS

BE 1015808 A6 9/2005
CA 2300014 A1 8/2001
(Continued)

OTHER PUBLICATIONS

The-gadgeteer.com: Tom Bihn Camera I-O Bag Review. Published by Janet Cloninger on Jul. 9, 2012. Retrieved from the Internet at <<http://the-gadgeteer.com/2012/07/09/tom-bihn-camera-i-o-bag-review/>>, Jan. 8, 2016. 7 pages.*

(Continued)

Primary Examiner — Rosemary K Tarcza
Assistant Examiner — Christy Nemeth
(74) *Attorney, Agent, or Firm* — Banner & Witcoff, Ltd.

(57) **CLAIM**

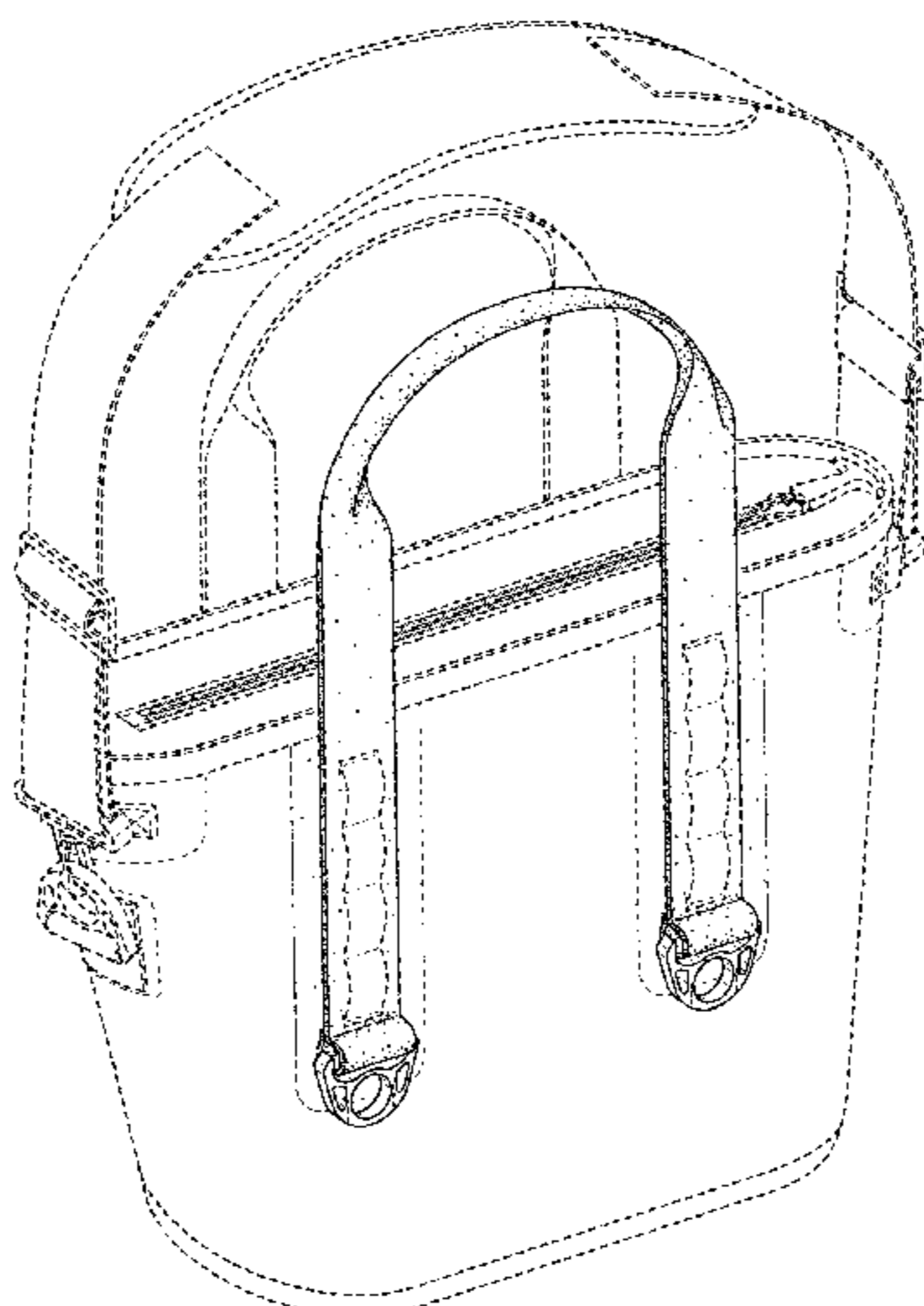
The ornamental design for an insulating device, as shown and described.

DESCRIPTION

FIG. 1 is a top, front, left perspective view of an insulating device showing our new design;
FIG. 2 is a front view thereof;
FIG. 3 is a left side view thereof; and,
FIG. 4 is a right side view thereof.

The broken lines showing the remainder of the insulating device are for the purposes of depicting environmental subject matter which forms no part of the claimed design. The stipple shading in the drawings is a drawing convention and does not illustrate material, surface ornamentation, or surface decoration.

1 Claim, 4 Drawing Sheets



(58) **Field of Classification Search**
 CPC 2003/002; A45F 2003/142; A45F 5/10; A45F
 2005/108; A45F 2005/1013; B65D 33/00;
 B65D 33/105
 See application file for complete search history.

(56) **References Cited**

U.S. PATENT DOCUMENTS

2,522,381 A	9/1950	Kramer		5,490,396 A	2/1996	Morris	
2,575,191 A *	11/1951	Seipp	B65D 31/04 383/110	D371,052 S *	6/1996	Melk	D7/607
2,661,785 A	12/1953	Daust		5,529,217 A	6/1996	Siegel	
2,954,891 A	10/1960	Imber		D373,515 S	9/1996	Melk	
3,066,846 A	12/1962	Domigan		5,562,228 A	10/1996	Ericson	
3,454,197 A	7/1969	Thompson		5,564,568 A	10/1996	Rankin, Sr.	
3,814,288 A	6/1974	Westrich		5,569,401 A	10/1996	Gilliland et al.	
3,905,511 A	9/1975	Groendal		5,595,320 A	1/1997	Aghassipour	
4,194,627 A	3/1980	Christensen		5,680,944 A	10/1997	Rueter	
4,196,817 A	4/1980	Moser		5,680,958 A	10/1997	Mann et al.	
4,197,890 A	4/1980	Simko		5,687,874 A	11/1997	Omori et al.	
4,211,091 A	7/1980	Campbell		5,706,969 A	1/1998	Yamada et al.	
4,248,366 A	2/1981	Christiansen		D394,553 S *	5/1998	Lin	D3/318
4,344,303 A	8/1982	Kelly, Jr.		D395,555 S *	6/1998	Ursitti	D34/29
4,372,453 A	2/1983	Branscum		5,758,513 A	6/1998	Smith	
4,375,828 A	3/1983	Biddison		D397,273 S	8/1998	Collie	
4,399,668 A	8/1983	Williamson		5,842,571 A	12/1998	Rausch	
4,468,933 A	9/1984	Christopher		5,845,514 A	12/1998	Clarke et al.	
4,513,895 A	4/1985	Leslie		5,848,734 A	12/1998	Melk	
4,537,313 A	8/1985	Workman		5,857,778 A	1/1999	Ells	
4,541,540 A *	9/1985	Gretz	A45C 11/20 220/523	5,909,821 A	6/1999	Guridi	
D281,546 S *	12/1985	Bradshaw	D3/276	5,913,448 A	6/1999	Mann et al.	
4,571,338 A	2/1986	Okonogi et al.		5,915,580 A	6/1999	Melk	
4,595,101 A	6/1986	Rivera		5,931,583 A	8/1999	Collie	
4,596,370 A	6/1986	Adkins		5,988,468 A	11/1999	Murdoch et al.	
4,598,746 A	7/1986	Rabinowitz		5,988,879 A	11/1999	Bredderman et al.	
4,679,242 A	7/1987	Brockhaus		6,019,245 A	2/2000	Foster et al.	
4,708,254 A	11/1987	Byrns		6,027,249 A	2/2000	Bielinski	
4,746,028 A	5/1988	Bagg		6,029,847 A	2/2000	Mahoney, Jr. et al.	
4,759,077 A	7/1988	Leslie		D424,417 S *	5/2000	Axelsson	D8/394
4,765,476 A	8/1988	Lee		6,059,140 A	5/2000	Hicks	
4,796,937 A	1/1989	Andrea		6,065,873 A	5/2000	Fowler	
4,802,344 A	2/1989	Livingston et al.		6,068,402 A	5/2000	Freese et al.	
4,802,602 A	2/1989	Evans et al.		6,073,796 A	6/2000	Mogil	
4,812,054 A *	3/1989	Kirkendall	A45C 3/04 383/110	6,082,589 A	7/2000	Ash et al.	
4,858,444 A	8/1989	Scott		6,082,896 A	7/2000	Pulli	
4,867,214 A	9/1989	Fuller		6,092,266 A	7/2000	Lee	
4,886,183 A	12/1989	Fleming		6,128,915 A	10/2000	Wagner	
4,941,603 A	7/1990	Creamer et al.		6,145,715 A	11/2000	Slonim	
4,984,906 A	1/1991	Little		6,220,473 B1	4/2001	Lehman et al.	
4,986,089 A	1/1991	Raab		6,253,570 B1	7/2001	Lustig	
4,989,418 A	2/1991	Hewlett		6,276,579 B1	8/2001	DeLoach	
5,005,679 A	4/1991	Hjelle		D447,667 S *	9/2001	Schneider	D3/287
5,042,664 A	8/1991	Shyr et al.		6,286,709 B1	9/2001	Hudson	
5,048,734 A	9/1991	Long		6,296,134 B1	10/2001	Cardinale	
5,062,557 A	11/1991	Mahvi et al.		6,296,165 B1	10/2001	Mears	
5,190,376 A	3/1993	Book		6,336,577 B1	1/2002	Harris et al.	
5,216,900 A	6/1993	Jones		6,409,066 B1	6/2002	Schneider et al.	
5,221,016 A	6/1993	Karpal		6,422,032 B1	7/2002	Greene	
5,237,838 A	8/1993	Merritt-Munson		D465,134 S	11/2002	Joss	
D339,979 S *	10/1993	Wehrley	D6/315	6,481,239 B2	11/2002	Hodosh et al.	
D340,387 S	10/1993	Melk		D466,291 S *	12/2002	Ng	D3/254
D340,840 S	11/1993	Melk		6,495,194 B2	12/2002	Sato et al.	
5,269,368 A	12/1993	Schneider et al.		6,505,479 B2	1/2003	Defelice et al.	
D343,992 S	2/1994	Melk		6,511,695 B1	1/2003	Paquin et al.	
5,297,870 A	3/1994	Weldon		6,554,155 B1	4/2003	Beggins	
5,313,807 A	5/1994	Owen		6,582,124 B2	6/2003	Mogil	
5,325,991 A	7/1994	Williams		6,595,687 B2	7/2003	Godshaw et al.	
5,354,131 A	10/1994	Mogil		6,604,649 B1	8/2003	Campi	
5,398,848 A	3/1995	Padamsee		6,605,311 B2	8/2003	Villagran et al.	
5,400,610 A	3/1995	Macedo		6,619,447 B1	9/2003	Garcia, III et al.	
5,403,095 A *	4/1995	Melk	A45C 11/20 220/23.87	6,629,430 B2	10/2003	Mills et al.	
5,421,172 A	6/1995	Jones		6,652,933 B2	11/2003	Hall	
5,447,764 A	9/1995	Langford		6,655,543 B2	12/2003	Beuke	
				6,729,758 B1	5/2004	Carter	
				6,799,693 B2	10/2004	Meza	
				D503,279 S *	3/2005	Smith	D3/283
				6,874,356 B2	4/2005	Kornfeldt et al.	
				D517,801 S *	3/2006	Woo	D3/217
				7,153,025 B1	12/2006	Jackson et al.	
				7,162,890 B2	1/2007	Mogil et al.	
				D539,033 S *	3/2007	Cassegrain	D3/246
				7,201,285 B2	4/2007	Beggins	
				7,219,814 B2	5/2007	Lown et al.	
				7,240,513 B1	7/2007	Conforti	
				7,264,134 B2	9/2007	Tulp	
				7,302,810 B2	12/2007	McCrorry	
				7,313,927 B2	1/2008	Barker	
				7,344,028 B2	3/2008	Hanson	

(56)

References Cited

U.S. PATENT DOCUMENTS

7,481,065 B2	1/2009	Krieger		2004/0237266 A1	12/2004	Wang	
7,597,478 B2	10/2009	Pruchnicki et al.		2005/0016895 A1	1/2005	Glenn	
7,634,919 B2	12/2009	Bernhard, Jr. et al.		2005/0045520 A1	3/2005	Johnson	
D608,096 S *	1/2010	Noble	D3/318	2005/0045521 A1	3/2005	Johnson et al.	
D611,706 S *	3/2010	Angles	D3/243	2005/0196510 A1	9/2005	Walters	
7,682,080 B2 *	3/2010	Mogil	A45C 7/0077 383/110	2005/0262871 A1	12/2005	Bailey-Weston	
D617,560 S *	6/2010	Wu	D3/318	2005/0263528 A1	12/2005	Maldonado et al.	
D618,966 S *	7/2010	Koehler	D7/607	2005/0279124 A1	12/2005	Maldonado	
D619,423 S *	7/2010	Koehler	D7/607	2006/0102497 A1	5/2006	Wulf	
D619,854 S	7/2010	Koehler et al.		2006/0151533 A1	7/2006	Simunovic et al.	
D619,855 S *	7/2010	Koehler	D7/607	2006/0201979 A1	9/2006	Achilles	
D620,707 S *	8/2010	Mogil	D3/246	2006/0240159 A1	10/2006	Cash et al.	
D620,708 S *	8/2010	Sanz	D3/276	2007/0012593 A1	1/2007	Kitchens et al.	
7,784,759 B2	8/2010	Farrell		2007/0148305 A1	6/2007	Sherwood et al.	
7,811,620 B2	10/2010	Merrill et al.		2007/0148307 A1	6/2007	Sherwood et al.	
7,815,069 B1	10/2010	Bellofatto et al.		2007/0217187 A1	9/2007	Blakely et al.	
D629,612 S *	12/2010	Weldon	D3/318	2007/0221693 A1	9/2007	Moore	
7,900,816 B2	3/2011	Kastanek et al.		2007/0237432 A1	10/2007	Mogil	
D645,662 S *	9/2011	Perez	D3/216	2007/0261977 A1	11/2007	Sakai	
8,016,090 B2	9/2011	McCoy et al.		2007/0274613 A1 *	11/2007	Pruchnicki	A45C 7/0077 383/110
8,043,004 B2	10/2011	Mogil		2007/0290816 A1	12/2007	Bedard	
D650,169 S *	12/2011	Klifa	D3/245	2008/0038424 A1	2/2008	Krusemann	
8,096,442 B2	1/2012	Ramundi		2008/0073364 A1	3/2008	Simmons	
8,191,747 B2	6/2012	Pruchnicki		2008/0105282 A1	5/2008	Fernholz et al.	
8,209,995 B2	7/2012	Kieling et al.		2008/0128421 A1	6/2008	Ulbrand et al.	
D666,896 S *	9/2012	Pinholster, Jr.	D8/356	2008/0160149 A1	7/2008	Nasrallah et al.	
D667,043 S *	9/2012	Couch, III	D16/237	2008/0164265 A1	7/2008	Conforti	
8,281,950 B2	10/2012	Potts et al.		2008/0178865 A1	7/2008	Retterer	
D673,363 S *	1/2013	Crandall	D3/217	2008/0245096 A1	10/2008	Hanson et al.	
D674,664 S	1/2013	Collie		2008/0260303 A1	10/2008	De Lesseux et al.	
8,424,713 B2	4/2013	Bolland		2008/0305235 A1	12/2008	Gao et al.	
8,453,899 B1 *	6/2013	Calkin	A45F 5/02 224/675	2009/0052809 A1	2/2009	Sampson	
8,474,640 B2	7/2013	Armstrong		2009/0095757 A1	4/2009	Ramundi	
8,544,678 B1	10/2013	Hughes		2009/0280229 A1	11/2009	Constantine et al.	
8,573,002 B2	11/2013	Ledoux et al.		2009/0311378 A1	12/2009	Wilaschin et al.	
D695,568 S *	12/2013	Hayes	D3/233	2009/0317514 A1	12/2009	Sizer	
8,622,235 B2	1/2014	Suchecky		2010/0047423 A1	2/2010	Krusemann et al.	
D699,940 S *	2/2014	Robert	D3/216	2010/0059199 A1	3/2010	Court	
D699,941 S *	2/2014	Robert	D3/216	2010/0075006 A1	3/2010	Semenza	
D703,946 S *	5/2014	Tweedie	D3/216	2010/0108694 A1	5/2010	Sedlbauer et al.	
8,720,739 B2	5/2014	Bollis		2010/0136203 A1	6/2010	Sakata et al.	
D711,096 S *	8/2014	Hanna	D3/232	2010/0143567 A1	6/2010	Ye et al.	
D712,555 S *	9/2014	Berg	D24/190	2010/0224660 A1 *	9/2010	Gleason	A45F 3/047 224/264
D715,544 S *	10/2014	Levine	D3/246	2011/0003975 A1	1/2011	Arase et al.	
D718,931 S *	12/2014	Brundl	D3/232	2011/0005739 A1	1/2011	Finney et al.	
D719,303 S *	12/2014	Anderson	D29/124	2011/0030415 A1	2/2011	Breyburg et al.	
D732,348 S *	6/2015	Seiders	D3/246	2011/0097442 A1	4/2011	Harju et al.	
D732,349 S *	6/2015	Seiders	D3/246	2011/0108562 A1	5/2011	Lyons	
D732,350 S *	6/2015	Seiders	D3/246	2011/0167863 A1	7/2011	Herrbold	
D732,899 S *	6/2015	Seiders	D3/246	2011/0182532 A1	7/2011	Baltus	
D739,654 S *	9/2015	Brouard	D3/276	2011/0191933 A1 *	8/2011	Gregory	A41D 13/0012 2/69
9,139,352 B2 *	9/2015	Seiders	B65D 81/3858	2011/0284601 A1	11/2011	Pullin	
D747,104 S *	1/2016	Ford	D3/216	2011/0311166 A1	12/2011	Pascua	
D752,347 S *	3/2016	Seiders	D3/318	2012/0106130 A1	5/2012	Beaudette	
D756,109 S *	5/2016	Hayashi	D3/232	2012/0137637 A1	6/2012	Gillis	
D760,494 S *	7/2016	Harvey-Pankey	D3/232	2012/0180184 A1 *	7/2012	Crye	A41D 13/0007 2/69
D761,561 S *	7/2016	Cheng	D3/246	2012/0181211 A1	7/2012	Charlebois	
D763,570 S *	8/2016	Potts	D3/232	2012/0187138 A1	7/2012	Vasquez et al.	
D764,791 S *	8/2016	Patel	D3/232	2012/0294550 A1	11/2012	Hassman et al.	
D770,763 S *	11/2016	Joo	D3/232	2012/0311828 A1	12/2012	Nir	
D772,562 S *	11/2016	Petre	D3/216	2013/0014355 A1	1/2013	Lee	
2002/0197369 A1	12/2002	Modler		2013/0043285 A1	2/2013	Cordray	
2003/0070447 A1	4/2003	Tanaka		2013/0174600 A1	7/2013	Sarcinella	
2003/0080133 A1	5/2003	Butler		2013/0216158 A1 *	8/2013	Meldeau	A45C 3/04 383/24
2003/0106895 A1	6/2003	Kalal		2013/0264350 A1	10/2013	Handlon et al.	
2003/0136702 A1	7/2003	Redzisz et al.		2013/0294712 A1 *	11/2013	Seuk	A45F 3/04 383/117
2003/0175394 A1	9/2003	Modler		2013/0341338 A1	12/2013	Mitchell et al.	
2004/0004111 A1	1/2004	Cardinale		2014/0023295 A1	1/2014	Wagner	
2004/0028296 A1	2/2004	Meli		2015/0225164 A1 *	8/2015	Seiders	B65D 81/3858 220/592.25
2004/0074936 A1	4/2004	McDonald					
2004/0094589 A1	5/2004	Fricano					
2004/0144783 A1	7/2004	Anderson et al.					
2004/0164084 A1	8/2004	Cooper					

(56)

References Cited

U.S. PATENT DOCUMENTS

2015/0353263 A1* 12/2015 Seiders B65D 81/3858
 29/428
 2016/0257479 A1* 9/2016 Seiders B65D 81/389
 2016/0338462 A1* 11/2016 Hayashi A45C 13/26

FOREIGN PATENT DOCUMENTS

CA 2327764 A1 6/2002
 CA 2433251 A1 12/2004
 CA 2483802 A1 4/2006
 CA 2498796 A1 9/2006
 CA 2499291 A1 9/2006
 CA 2503473 A1 10/2006
 CA 2548064 A1 11/2007
 CA 2549327 A1 11/2007
 CA 2782668 A1 12/2013
 CN 2188899 Y 2/1995
 CN 2125339 U 12/1999
 CN 201062136 Y 5/2008
 CN 102717977 A 10/2012
 CN 202619972 U 12/2012
 CN 202959175 U 6/2013
 CN 103385657 A 11/2013
 DE 3539626 A1 5/1987
 DE 20002689 U1 8/2000
 DE 202011050174 U1 7/2011
 DE 202013101115 U1 3/2013
 EP 0037545 A2 10/1981
 EP 0082131 A2 6/1983
 EP 0158634 A1 10/1985

EP 0174159 A2 3/1986
 FR 1269009 A 8/1961
 FR 2440886 A1 6/1980
 GB 2249717 A 5/1992
 GB 2335972 A 10/1999
 JP 11051532 2/1999
 JP 3275477 B2 4/2002
 JP 2003026258 A 1/2003
 JP 2010023926 A 2/2010
 KR 20020027739 A 4/2002
 KR 20040092730 A 11/2004
 WO 9524146 A2 9/1995
 WO 9812954 A1 4/1998
 WO 2006058538 A1 6/2006
 WO 2010106296 A2 9/2010
 WO 2010120199 A1 10/2010
 WO 2014033450 A1 3/2014

OTHER PUBLICATIONS

Stopper Dry Bag, <http://www.seatosummit.com/products/display/181>, published date unknown, but prior to the filing date of the present application, Sea To Summit, United States.
 Icemule Classic Cooler—Large (20L), <http://www.icemulecooler.com/icemule-classic-cooler-large-20l/>, published date unknown, but prior to the filing date of the present application, Icemule, United States.
 Devonbuy.com: Thule Gauntlet 13" MacBook Pro Attaché. Published on Jul. 28, 2014. Retrieved from the internet at <http://www.devonbuy.com/thule-gauntlet-13-macbook-pro-attache/>, Feb. 24, 2016. 9 pages.

* cited by examiner

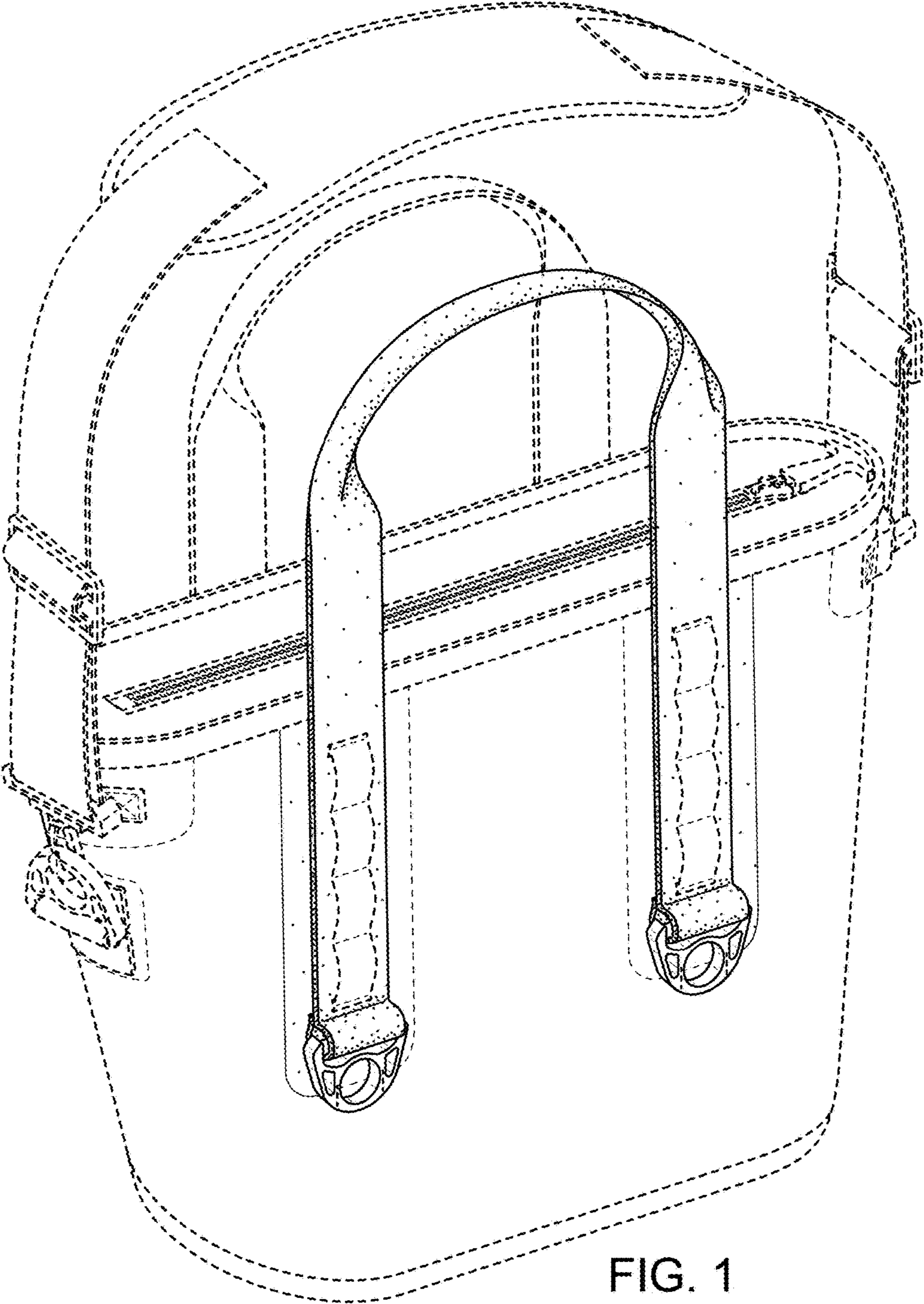


FIG. 1

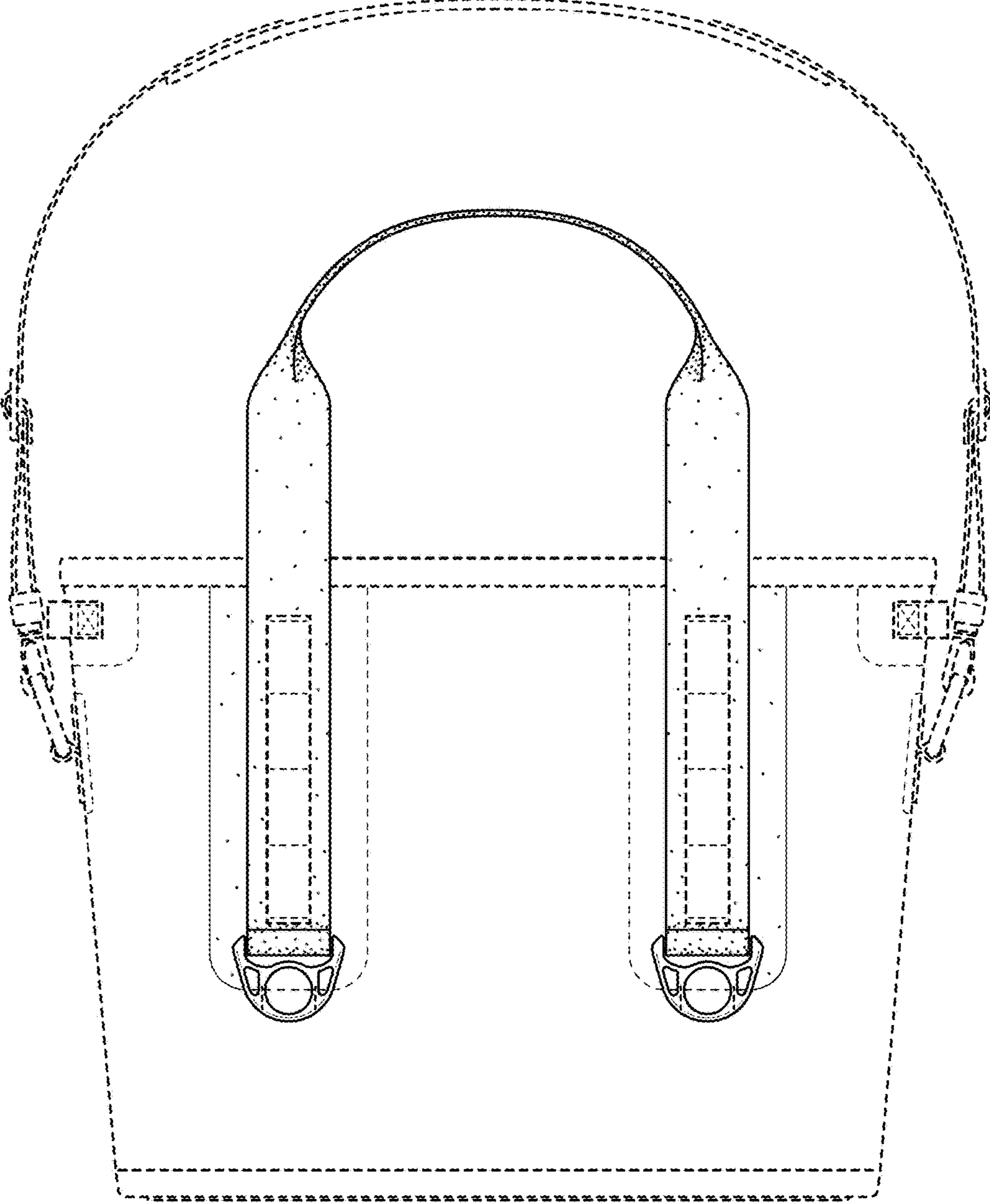


FIG. 2

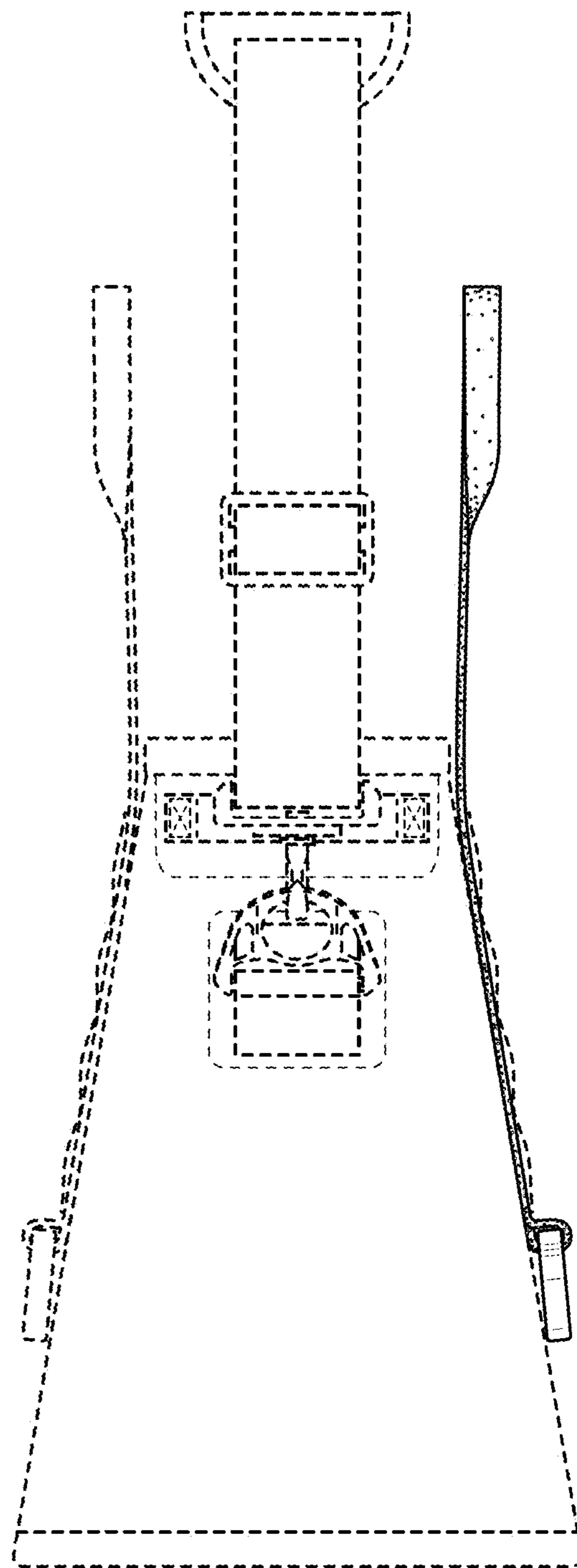


FIG. 3

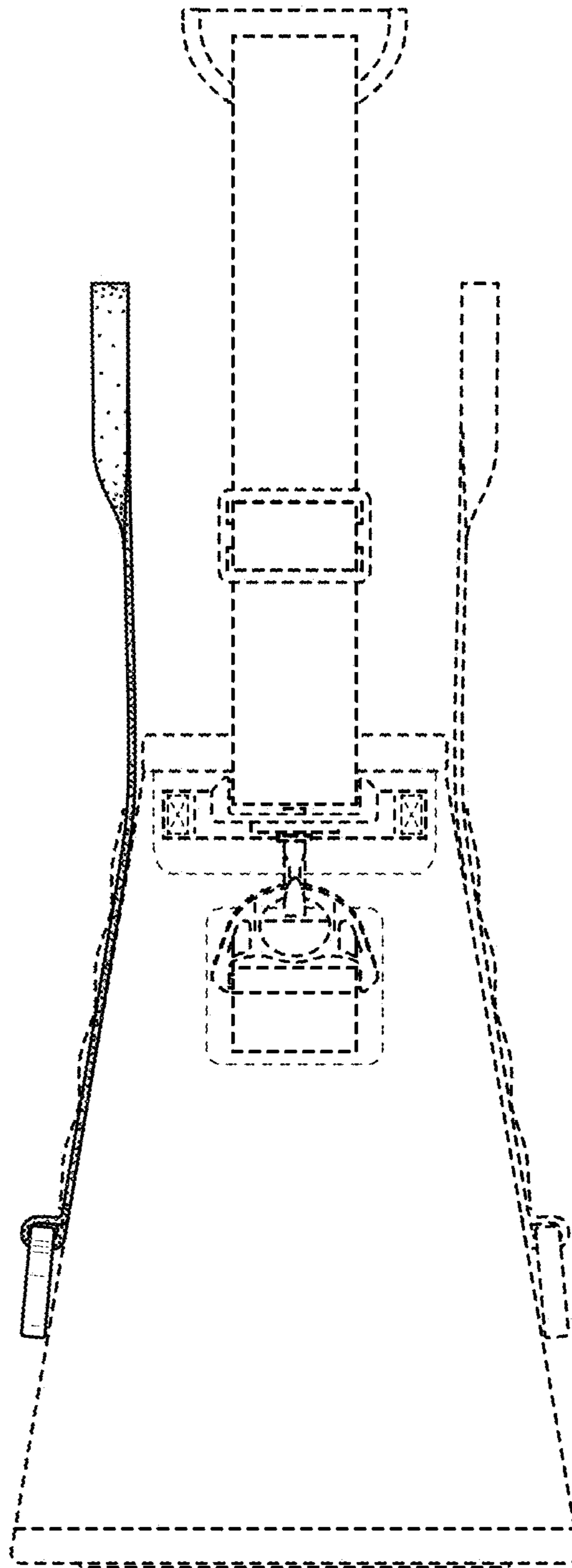


FIG. 4