



US00D786561S

(12) **United States Design Patent** (10) **Patent No.:** **US D786,561 S**
Seiders et al. (45) **Date of Patent:** **** May 16, 2017**

(54) **INSULATING DEVICE**

(56)

References Cited

(71) Applicant: **YETI Coolers, LLC**, Austin, TX (US)

U.S. PATENT DOCUMENTS

(72) Inventors: **Roy Joseph Seiders**, Austin, TX (US);
Christopher M. Keller, Austin, TX (US)

2,119,621 A	6/1938	Ferrone	
2,289,254 A	7/1942	Eagles	
2,522,381 A	9/1950	Kramer	
2,575,191 A *	11/1951	Seipp	B65D 31/04 383/110

(73) Assignee: **YETI Coolers, LLC**, Austin, TX (US)

2,661,785 A	12/1953	Daust	
2,954,891 A	10/1960	Imber	
3,066,846 A	12/1962	Domigan	
3,454,197 A	7/1969	Thompson	
3,814,288 A	6/1974	Westrich	
3,905,511 A	9/1975	Groendal	
4,194,627 A	3/1980	Christensen	
4,196,817 A	4/1980	Moser	
4,197,890 A	4/1980	Simko	
4,211,091 A	7/1980	Campbell	
4,248,366 A	2/1981	Christiansen	
4,344,303 A	8/1982	Kelly, Jr.	
4,372,453 A	2/1983	Branscum	
4,375,828 A	3/1983	Biddison	
4,399,668 A	8/1983	Williamson	
4,468,933 A	9/1984	Christopher	
4,513,895 A	4/1985	Leslie	
4,537,313 A	8/1985	Workman	
4,541,540 A *	9/1985	Gretz	A45C 11/20 220/523

(**) Term: **15 Years**

(21) Appl. No.: **29/544,622**

(22) Filed: **Nov. 4, 2015**

Related U.S. Application Data

(63) Continuation of application No. 29/503,060, filed on Sep. 23, 2014.

(51) **LOC (10) Cl.** **03-01**

(52) **U.S. Cl.**
USPC **D3/318**

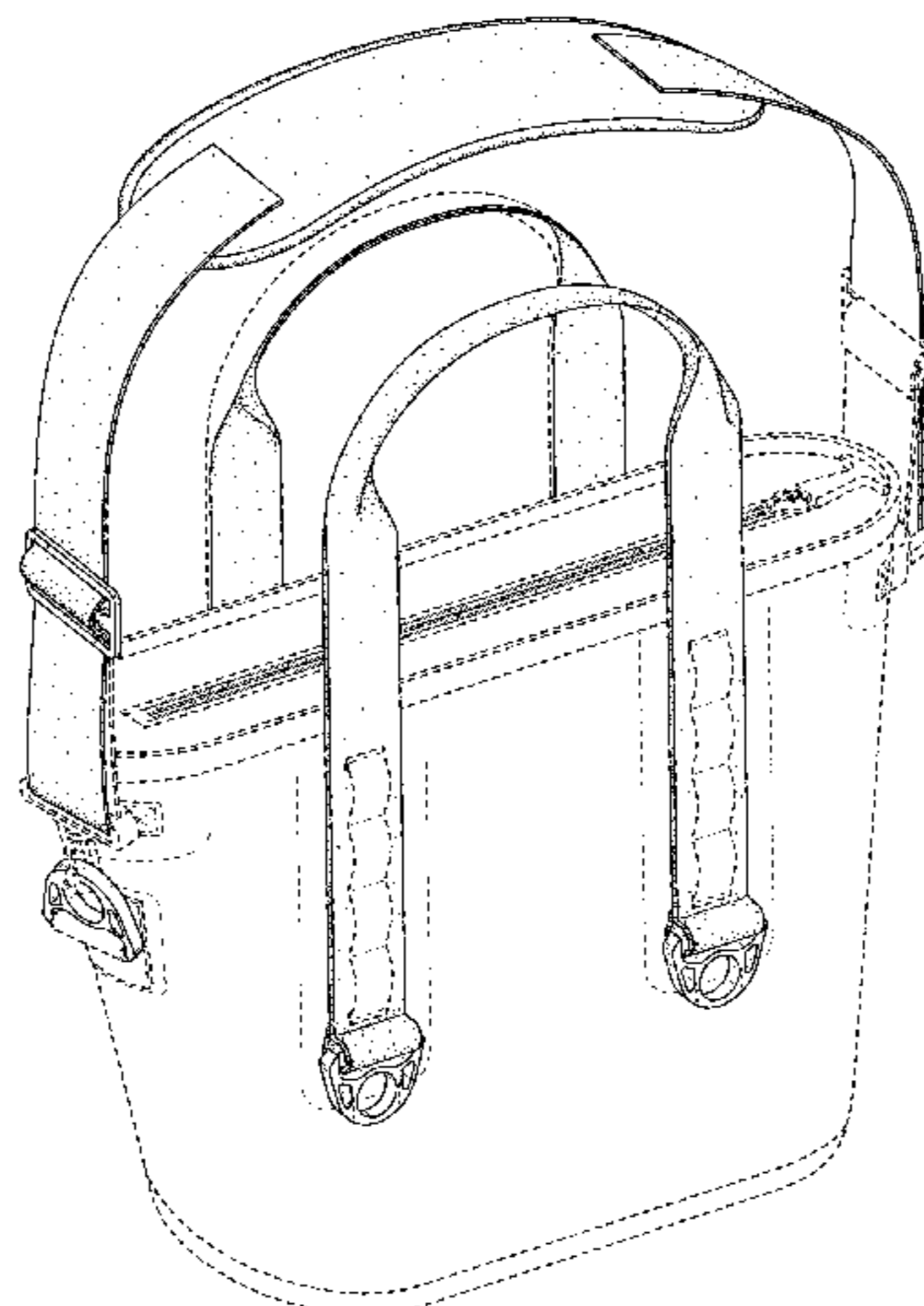
(58) **Field of Classification Search**

USPC D7/601-607, 393; D3/217, 221, 226, D3/232, 233, 245, 246, 267, 268, 273, D3/276, 283, 289, 315, 318, 327, D3/213-216, 225, 231, 254, 287, 303, D3/307, 320, 322, 324; 220/592.01, 220/592.09, 592.1, 592.2, 592.25, 694, 220/752, 760; D8/367, 373, 382, 383, D8/499; D30/139

CPC A45C 3/10; A45C 11/00; A45C 11/20; A45C 11/22; A45C 13/008; A45C 13/10; A45C 13/30; A45C 2013/1007; A45C 2013/1015; A45C 5/08; A45C 2200/00; A45C 2200/20; A45C 2003/007; A45C 2003/008; A45C 3/00; A45C 13/22; A63B 29/02; A63B 29/08; A63B 29/028; A45F 3/00; A45F 3/02; A45F 3/14; A45F 2003/002; A45F 2003/142; A45F 5/10; A45F 2005/108; A45F 2005/1013; B65D 33/00; B65D 33/105

D281,546 S *	12/1985	Bradshaw	D3/276
4,571,338 A	2/1986	Okonogi et al.	
4,595,101 A	6/1986	Rivera	
4,596,370 A	6/1986	Adkins	
4,598,746 A	7/1986	Rabinowitz	
4,679,242 A	7/1987	Brockhaus	
4,708,254 A	11/1987	Byrns	
4,746,028 A	5/1988	Bagg	
4,759,077 A	7/1988	Leslie	
4,765,476 A	8/1988	Lee	
4,796,937 A	1/1989	Andrea	
4,802,344 A	2/1989	Livingston et al.	
4,802,602 A	2/1989	Evans et al.	
4,812,054 A *	3/1989	Kirkendall	A45C 3/04 383/110
4,858,444 A	8/1989	Scott	
4,867,214 A	9/1989	Fuller	
4,886,183 A	12/1989	Fleming	
4,941,603 A	7/1990	Creamer et al.	
4,984,906 A	1/1991	Little	
4,986,089 A	1/1991	Raab	
4,989,418 A	2/1991	Hewlett	
5,005,679 A	4/1991	Hjelle	
5,042,664 A	8/1991	Shyr et al.	

See application file for complete search history.



US D786,561 S

5,048,734 A	9/1991	Long		6,595,687 B2	7/2003	Godshaw et al.	
5,062,557 A	11/1991	Mahvi et al.		6,604,649 B1	8/2003	Campi	
5,190,376 A	3/1993	Book		6,605,311 B2	8/2003	Villagran et al.	
5,216,900 A	6/1993	Jones		6,619,447 B1	9/2003	Garcia, III et al.	
5,221,016 A	6/1993	Karpal		6,629,430 B2	10/2003	Mills et al.	
5,237,838 A	8/1993	Merritt-Munson		6,652,933 B2	11/2003	Hall	
D339,979 S *	10/1993	Wehrley	D6/315	6,655,543 B2	12/2003	Beuke	
D340,387 S	10/1993	Melk		6,729,758 B1	5/2004	Carter	
D340,840 S	11/1993	Melk		6,799,693 B2	10/2004	Meza	
5,269,368 A	12/1993	Schneider et al.		D498,924 S *	11/2004	Karl	D3/287
D343,992 S	2/1994	Melk		D502,599 S *	3/2005	Cabana	D3/287
5,297,870 A	3/1994	Weldon		D503,279 S *	3/2005	Smith	D3/283
5,313,807 A	5/1994	Owen		6,874,356 B2	4/2005	Kornfeldt et al.	
5,325,991 A	7/1994	Williams		D517,801 S *	3/2006	Woo	D3/217
5,354,131 A	10/1994	Mogil		7,153,025 B1	12/2006	Jackson et al.	
5,398,848 A	3/1995	Padamsee		7,162,890 B2	1/2007	Mogil et al.	
5,400,610 A	3/1995	Macedo		D539,033 S *	3/2007	Cassegrain	D3/246
5,403,095 A *	4/1995	Melk	A45C 11/20 220/23.87	7,201,285 B2	4/2007	Beggins	
				7,219,814 B2	5/2007	Lown et al.	
5,421,172 A	6/1995	Jones		7,240,513 B1	7/2007	Conforti	
5,447,764 A	9/1995	Langford		7,264,134 B2	9/2007	Tulp	
5,490,396 A	2/1996	Morris		7,302,810 B2	12/2007	McCroy	
D371,052 S *	6/1996	Melk	D7/607	7,313,927 B2	1/2008	Barker	
5,529,217 A	6/1996	Siegel		7,344,028 B2	3/2008	Hanson	
D373,515 S	9/1996	Melk		D570,603 S *	6/2008	Wu	D3/327
5,562,228 A	10/1996	Ericson		7,481,065 B2	1/2009	Krieger	
5,564,568 A	10/1996	Rankin, Sr.		7,597,478 B2	10/2009	Pruchnicki et al.	
5,569,401 A	10/1996	Gilliland et al.		7,634,919 B2	12/2009	Bernhard, Jr. et al.	
5,595,320 A	1/1997	Aghassipour		D608,096 S *	1/2010	Noble	D3/318
5,680,944 A	10/1997	Rueter		D611,706 S *	3/2010	Angles	D3/243
5,680,958 A	10/1997	Mann et al.		7,682,080 B2 *	3/2010	Mogil	A45C 7/0077 383/110
D386,310 S *	11/1997	Smith	D3/327	D617,560 S *	6/2010	Wu	D3/318
5,687,874 A	11/1997	Omori et al.		D618,966 S *	7/2010	Koehler	D7/607
5,706,969 A	1/1998	Yamada et al.		D619,423 S *	7/2010	Koehler	D7/607
D394,553 S *	5/1998	Lin	D3/318	D619,854 S	7/2010	Koehler et al.	
D395,555 S *	6/1998	Ursitti	D34/29	D619,855 S *	7/2010	Koehler	D7/607
5,758,513 A	6/1998	Smith		D620,707 S *	8/2010	Mogil	D3/246
D397,273 S	8/1998	Collie		D620,708 S *	8/2010	Sanz	D3/276
5,842,571 A	12/1998	Rausch		7,784,759 B2	8/2010	Farrell	
5,845,514 A	12/1998	Clarke et al.		7,811,620 B2	10/2010	Merrill et al.	
5,848,734 A	12/1998	Melk		7,815,069 B1	10/2010	Bellofatto et al.	
5,857,778 A	1/1999	Ells		D629,612 S *	12/2010	Weldon	D3/318
5,909,821 A	6/1999	Guridi		7,900,816 B2	3/2011	Kastanek et al.	
5,913,448 A	6/1999	Mann et al.		D638,220 S *	5/2011	Chu	D3/318
5,915,580 A	6/1999	Melk		D645,662 S *	9/2011	Perez	D3/216
5,931,583 A	8/1999	Collie		8,016,090 B2	9/2011	McCoy et al.	
5,988,468 A	11/1999	Murdoch et al.		8,043,004 B2	10/2011	Mogil	
5,988,879 A	11/1999	Bredderman et al.		D650,169 S *	12/2011	Klifa	D3/245
6,019,245 A	2/2000	Foster et al.		8,096,442 B2	1/2012	Ramundi	
6,027,249 A	2/2000	Bielinski		8,191,747 B2	6/2012	Pruchnicki	
6,029,847 A	2/2000	Mahoney, Jr. et al.		8,209,995 B2	7/2012	Kieling et al.	
D424,417 S *	5/2000	Axelsson	D8/394	D666,896 S *	9/2012	Pinholster, Jr.	D8/356
6,059,140 A	5/2000	Hicks		D667,043 S *	9/2012	Couch, III	D16/237
6,065,873 A	5/2000	Fowler		8,281,950 B2	10/2012	Potts et al.	
6,068,402 A	5/2000	Freese et al.		D673,363 S *	1/2013	Crandall	D3/217
6,073,796 A	6/2000	Mogil		D674,664 S	1/2013	Collie	
6,082,589 A	7/2000	Ash et al.		8,424,713 B2	4/2013	Bolland	
6,082,896 A	7/2000	Pulli		8,453,899 B1 *	6/2013	Calkin	A45F 5/02 224/675
6,092,266 A	7/2000	Lee					
6,128,915 A	10/2000	Wagner		8,474,640 B2	7/2013	Armstrong	
6,145,715 A	11/2000	Slonim		8,544,678 B1	10/2013	Hughes	
6,220,473 B1	4/2001	Lehman et al.		8,573,002 B2	11/2013	Ledoux et al.	
6,253,570 B1	7/2001	Lustig		D695,568 S *	12/2013	Hayes	D3/233
6,276,579 B1	8/2001	DeLoach		8,622,235 B2	1/2014	Suchecki	
D447,667 S *	9/2001	Schneider	D3/287	D699,940 S *	2/2014	Robert	D3/216
6,286,709 B1	9/2001	Hudson		D699,941 S *	2/2014	Robert	D3/216
6,296,134 B1	10/2001	Cardinale		D703,946 S *	5/2014	Tweedie	D3/216
6,296,165 B1	10/2001	Mears		8,720,739 B2	5/2014	Bollis	
6,336,577 B1	1/2002	Harris et al.		D711,096 S *	8/2014	Hanna	D3/232
6,409,066 B1	6/2002	Schneider et al.		D712,555 S *	9/2014	Berg	D24/190
6,422,032 B1	7/2002	Greene		D715,544 S *	10/2014	Levine	D3/246
D465,134 S	11/2002	Joss		D718,931 S *	12/2014	Brundl	D3/232
6,481,239 B2	11/2002	Hodosh et al.		D719,303 S *	12/2014	Anderson	D29/124
D466,291 S *	12/2002	Ng	D3/254	D732,348 S *	6/2015	Seiders	D3/246
6,495,194 B2	12/2002	Sato et al.		D732,349 S *	6/2015	Seiders	D3/246
6,505,479 B2	1/2003	Defelice et al.		D732,350 S *	6/2015	Seiders	D3/246
6,511,695 B1	1/2003	Paquin et al.		D732,899 S *	6/2015	Seiders	D3/246
6,554,155 B1	4/2003	Beggins		D739,654 S *	9/2015	Brouard	D3/276
6,582,124 B2	6/2003	Mogil					

US D786,561 S

9,139,352 B2 *	9/2015	Seiders	B65D 81/3858	2011/0311166 A1	12/2011	Pascua
D747,104 S *	1/2016	Ford	D3/216	2012/0106130 A1	5/2012	Beaudette
D752,347 S *	3/2016	Seiders	D3/318	2012/0137637 A1	6/2012	Gillis
D756,109 S *	5/2016	Hayashi	D3/232	2012/0180184 A1*	7/2012	Crye A41D 13/0007
D760,494 S *	7/2016	Harvey-Pankey	D3/232			2/69
D761,561 S *	7/2016	Cheng	D3/246	2012/0181211 A1	7/2012	Charlebois
D763,570 S *	8/2016	Potts	D3/232	2012/0187138 A1	7/2012	Vasquez et al.
D764,791 S *	8/2016	Patel	D3/232	2012/0294550 A1	11/2012	Hassman et al.
D770,763 S *	11/2016	Joo	D3/232	2012/0311828 A1	12/2012	Nir
D772,562 S *	11/2016	Petre	D3/216	2013/0014355 A1	1/2013	Lee
2002/0197369 A1	12/2002	Modler		2013/0043285 A1	2/2013	Cordray
2003/0070447 A1	4/2003	Tanaka		2013/0174600 A1	7/2013	Sarcinella
2003/0080133 A1	5/2003	Butler		2013/0216158 A1*	8/2013	Meldeau A45C 3/04
2003/0106895 A1	6/2003	Kalal				383/24
2003/0136702 A1	7/2003	Redzisz et al.		2013/0264350 A1	10/2013	Handlon et al.
2003/0175394 A1	9/2003	Modler		2013/0294712 A1*	11/2013	Seuk A45F 3/04
2004/0004111 A1	1/2004	Cardinale				383/117
2004/0028296 A1	2/2004	Meli		2013/0341338 A1	12/2013	Mitchell et al.
2004/0074936 A1	4/2004	McDonald		2014/0023295 A1	1/2014	Wagner
2004/0094589 A1	5/2004	Fricano		2015/0225164 A1*	8/2015	Seiders B65D 81/3858
2004/0144783 A1	7/2004	Anderson et al.				220/592.25
2004/0149600 A1*	8/2004	Wolter	A45C 3/00 206/223	2015/0353263 A1*	12/2015	Seiders B65D 81/3858
						29/428
2004/0164084 A1	8/2004	Cooper		2016/0257479 A1*	9/2016	Seiders B65D 81/389
2004/0237266 A1	12/2004	Wang		2016/0338462 A1*	11/2016	Hayashi A45C 13/26
2005/0016895 A1	1/2005	Glenn				
2005/0045520 A1	3/2005	Johnson				
2005/0045521 A1	3/2005	Johnson et al.				
2005/0196510 A1	9/2005	Walters				
2005/0262871 A1	12/2005	Bailey-Weston				
2005/0263528 A1	12/2005	Maldonado et al.				
2005/0279124 A1	12/2005	Maldonado				
2006/0102497 A1	5/2006	Wulf				
2006/0151533 A1	7/2006	Simunovic et al.				
2006/0201979 A1	9/2006	Achilles				
2006/0240159 A1	10/2006	Cash et al.				
2007/0012593 A1	1/2007	Kitchens et al.				
2007/0148305 A1	6/2007	Sherwood et al.				
2007/0148307 A1	6/2007	Sherwood et al.				
2007/0217187 A1	9/2007	Blakely et al.				
2007/0221693 A1	9/2007	Moore				
2007/0237432 A1	10/2007	Mogil				
2007/0261977 A1	11/2007	Sakai				
2007/0274613 A1*	11/2007	Pruchnicki	A45C 7/0077 383/110			
2007/0290816 A1	12/2007	Bedard				
2008/0038424 A1	2/2008	Krusemann				
2008/0073364 A1	3/2008	Simmons				
2008/0105282 A1	5/2008	Fernholz et al.				
2008/0128421 A1	6/2008	Ulbrand et al.				
2008/0160149 A1	7/2008	Nasrallah et al.				
2008/0164265 A1	7/2008	Conforti				
2008/0178865 A1	7/2008	Retterer				
2008/0245096 A1	10/2008	Hanson et al.				
2008/0260303 A1	10/2008	De Lesseux et al.				
2008/0305235 A1	12/2008	Gao et al.				
2009/0052809 A1	2/2009	Sampson				
2009/0095757 A1	4/2009	Ramundi				
2009/0280229 A1	11/2009	Constantine et al.				
2009/0311378 A1	12/2009	Wilaschin et al.				
2009/0317514 A1	12/2009	Sizer				
2010/0047423 A1	2/2010	Kruesemann et al.				
2010/0059199 A1	3/2010	Court				
2010/0075006 A1	3/2010	Semenza				
2010/0108694 A1	5/2010	Sedlbauer et al.				
2010/0136203 A1	6/2010	Sakata et al.				
2010/0143567 A1	6/2010	Ye et al.				
2010/0224660 A1*	9/2010	Gleason	A45F 3/047 224/264			
2011/0003975 A1	1/2011	Arase et al.				
2011/0005739 A1	1/2011	Finney et al.				
2011/0030415 A1	2/2011	Breyburg et al.				
2011/0097442 A1	4/2011	Harju et al.				
2011/0108562 A1	5/2011	Lyons				
2011/0167863 A1	7/2011	Herrbold				
2011/0182532 A1	7/2011	Baltus				
2011/0191933 A1*	8/2011	Gregory	A41D 13/0012 2/69			
2011/0284601 A1	11/2011	Pullin				

FOREIGN PATENT DOCUMENTS

BE	1015808 A6	9/2005
CA	2300014 A1	8/2001
CA	2327764 A1	6/2002
CA	2433251 A1	12/2004
CA	2483802 A1	4/2006
CA	2498796 A1	9/2006
CA	2499291 A1	9/2006
CA	2503473 A1	10/2006
CA	2548064 A1	11/2007
CA	2549327 A1	11/2007
CA	2782668 A1	12/2013
CN	2125339 U	12/1992
CN	2188899 Y	2/1995
CN	201062136 Y	5/2008
CN	102717977 A	10/2012
CN	202619972 U	12/2012
CN	202959175 U	6/2013
CN	103385657 A	11/2013
DE	3539626 A1	5/1987
DE	20002689 U1	8/2000
DE	202011050174 U1	7/2011
DE	202013101115 U1	3/2013
EP	0037545 A2	10/1981
EP	0082131 A2	6/1983
EP	0158634 A1	10/1985
EP	0174159 A2	3/1986
FR	1269009 A	8/1961
FR	2440886 A1	6/1980
GB	2249717 A	5/1992
GB	2335972 A	10/1999
JP	11051532	2/1999
JP	3275477 B2	4/2002
JP	2003026258 A	1/2003
JP	2010023926 A	2/2010
KR	20020027739 A	4/2002
KR	20040092730 A	11/2004
WO	9524146 A2	9/1995
WO	9812954 A1	4/1998
WO	2006058538 A1	6/2006
WO	2010106296 A2	9/2010
WO	2010120199 A1	10/2010
WO	2014033450 A1	3/2014

OTHER PUBLICATIONS

The-gadgeteer.com: Tom Bihn Camera I-O Bag Review. Published by Janet Cloninger on Jul. 9, 2012. Retrieved from the Internet at <<http://the-gadgeteer.com/2012/07/09/tom-bihn-camera-i-o-bag-review/>>, Jan. 8, 2016. 7 pages.*

Devonbuy.com: Thule Gauntlet 13" MacBook Pro Attaché. Published on Jul. 28, 2014. Retrieved from the Internet at <<http://www.devonbuy.com/thule-gauntlet-13-macbook-pro-attache/>>, Jan. 19, 2016. 8 pages.*

Stopper Dry Bag, <http://www.seatosummit.com/products/display/181>, published date unknown, but prior to the filing date of the present application, Sea To Summit, United States.

Icemule Classic Cooler—Large (20L), <http://www.icemulecooler.com/icemule-classic-cooler-large-20l/>, published date unknown, but prior to the filing date of the present application, Icemule, United States.

* cited by examiner

Primary Examiner — Rosemary K Tarca

Assistant Examiner — Christy Nemeth

(74) *Attorney, Agent, or Firm* — Banner & Witcoff, Ltd.

(57) **CLAIM**

The ornamental design for an insulating device, as shown and described.

DESCRIPTION

FIG. 1 is a top, front, left perspective view of an insulating device showing our new design;

FIG. 2 is a front view thereof;

FIG. 3 is a rear view thereof;

FIG. 4 is a left side view thereof;

FIG. 5 is a right side view thereof; and,

FIG. 6 is a top view thereof.

The broken lines showing the remainder of the insulating device are for the purpose of depicting environmental subject matter which forms no part of the claimed design. The stipple shading in the drawings is a drawing convention to represent curvature; it does not illustrate material, surface ornamentation, or surface decoration.

1 Claim, 6 Drawing Sheets

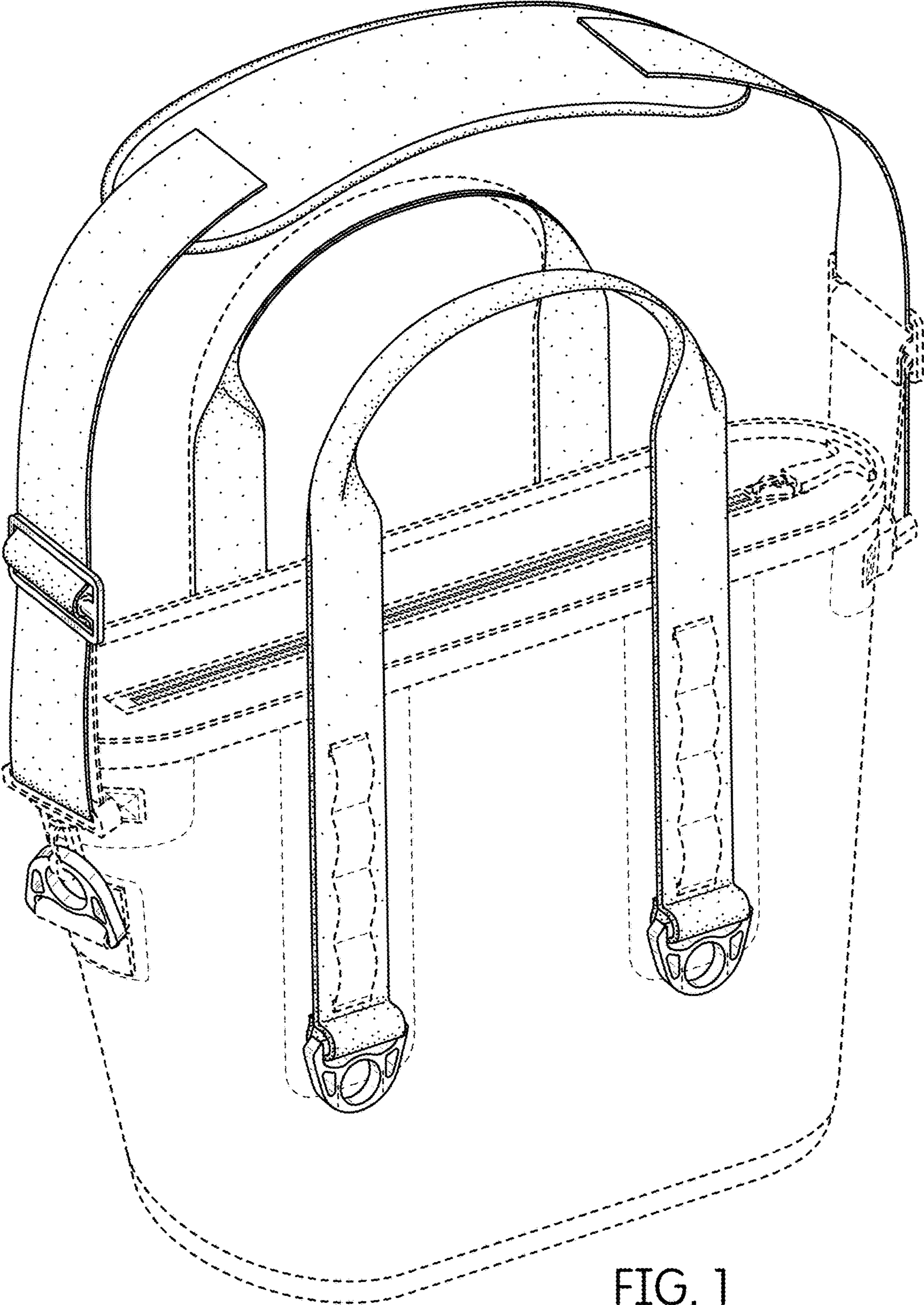


FIG. 1

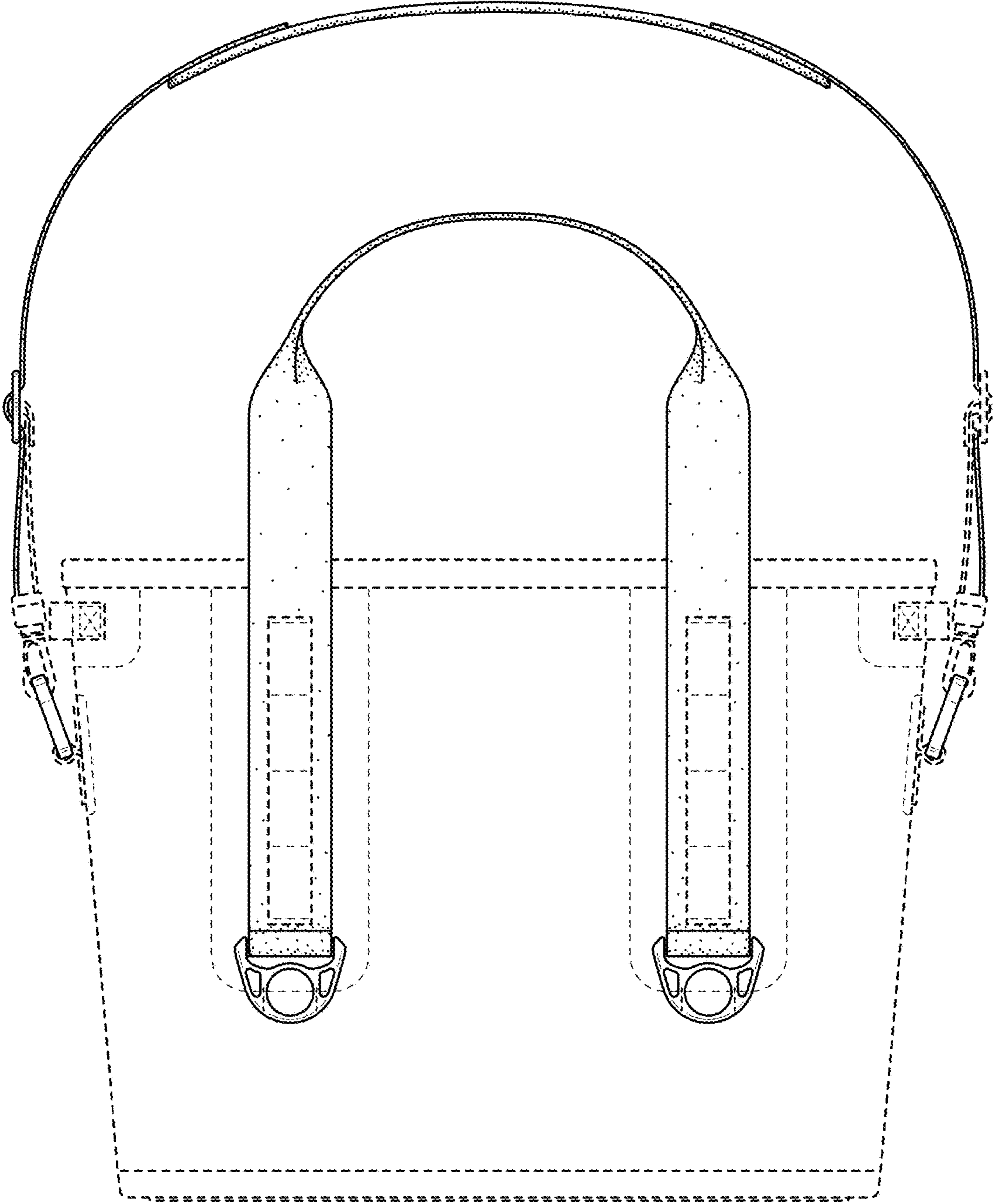


FIG. 2

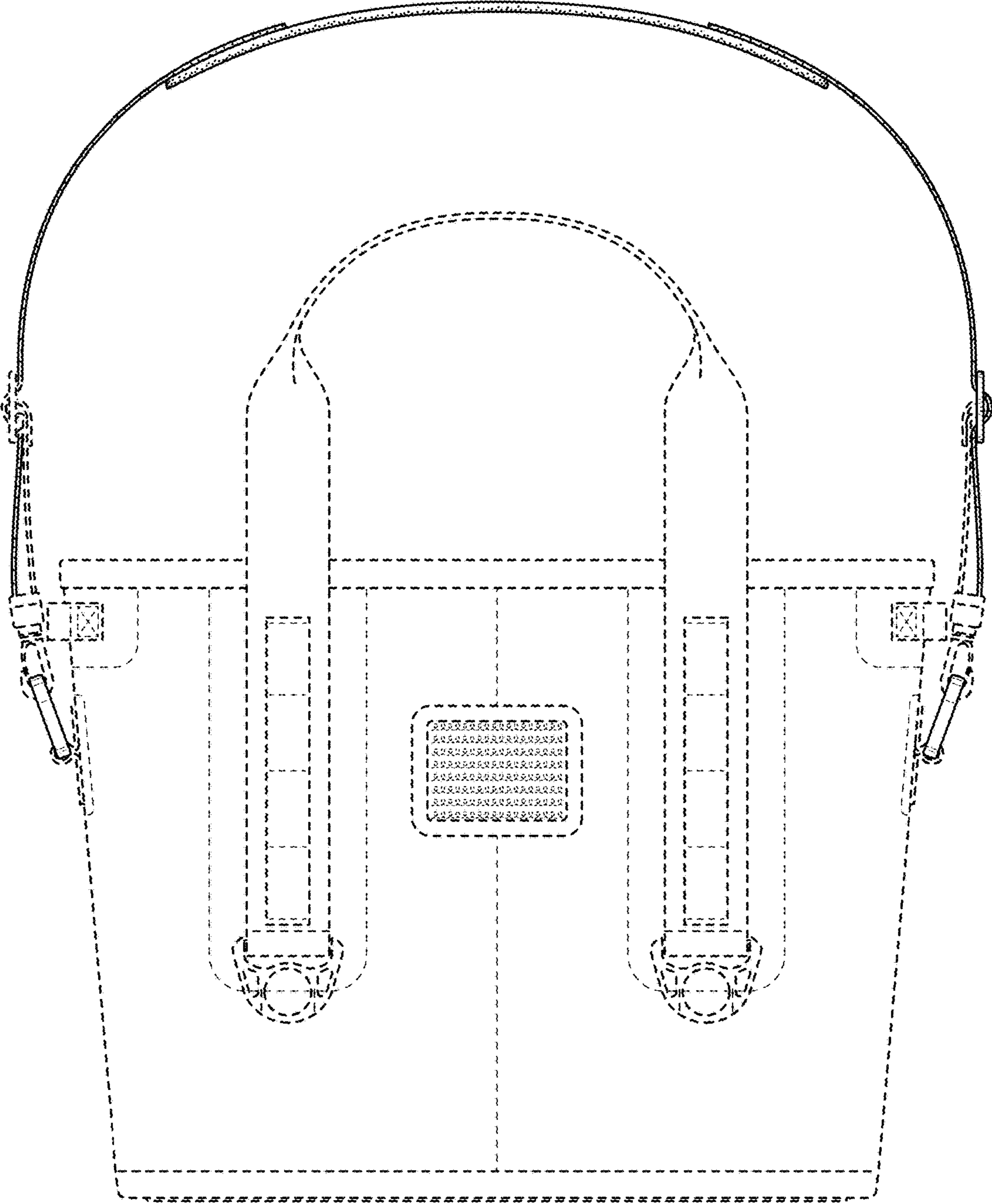


FIG. 3

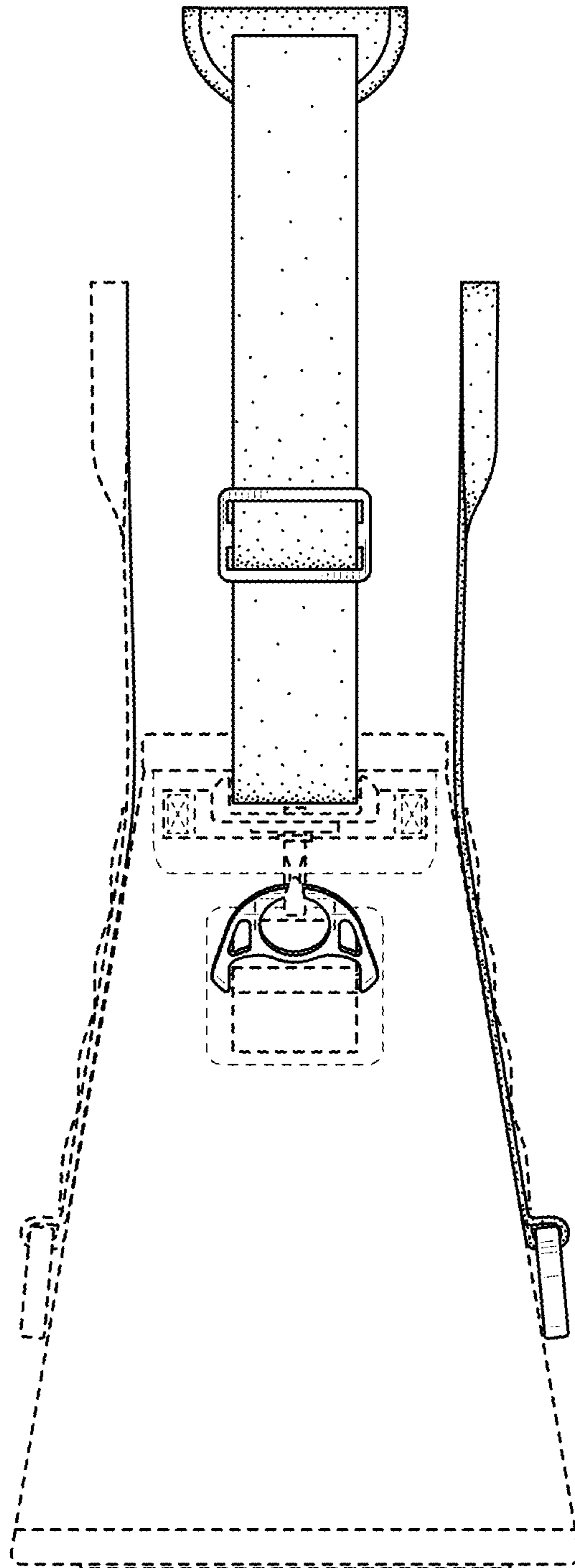


FIG. 4

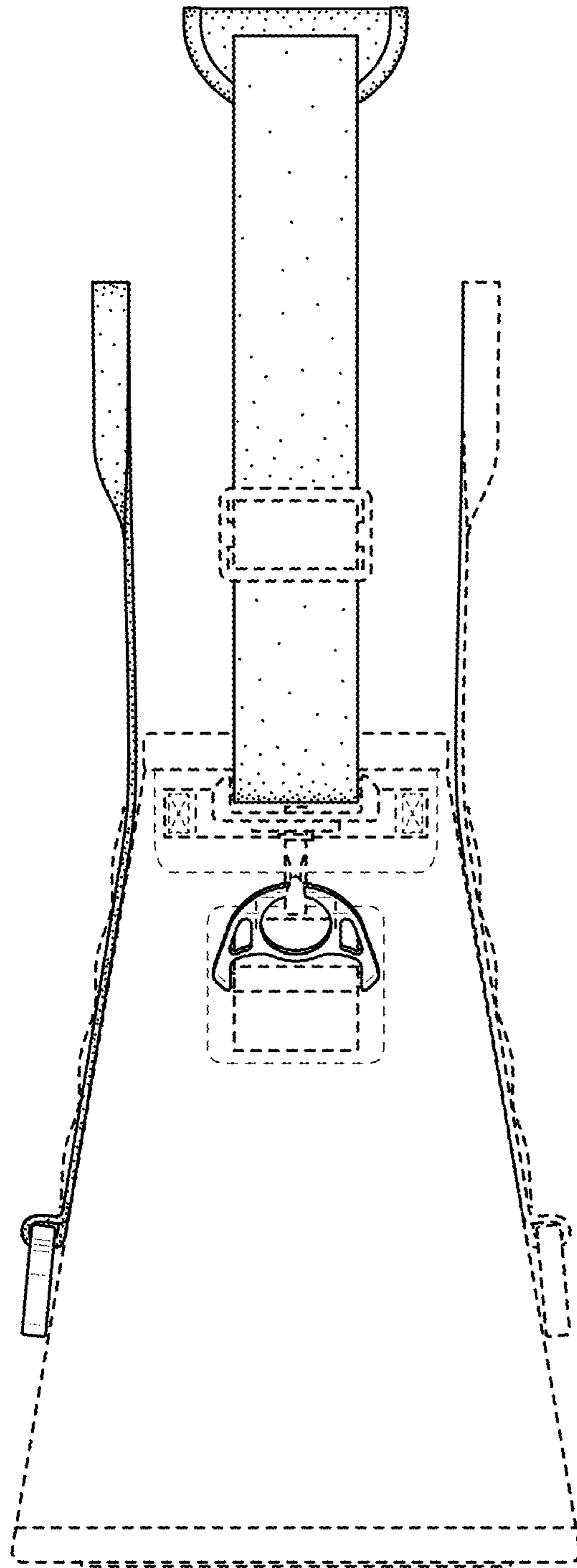


FIG. 5

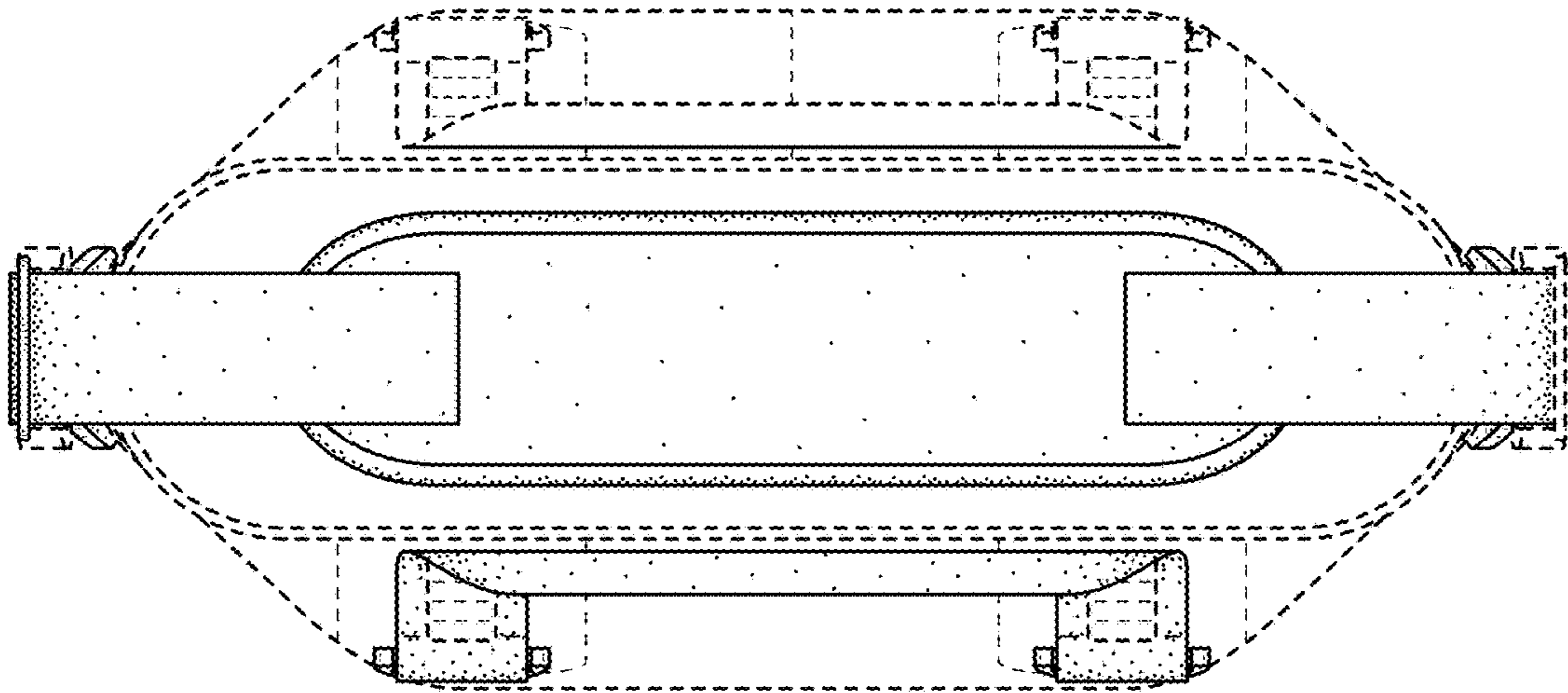


FIG. 6