



US00D786560S

(12) **United States Design Patent** (10) **Patent No.:** **US D786,560 S**
Seiders et al. (45) **Date of Patent:** **** May 16, 2017**

(54) **INSULATING DEVICE**
(71) Applicant: **YETI Coolers, LLC**, Austin, TX (US)
(72) Inventors: **Roy Joseph Seiders**, Austin, TX (US);
Christopher M. Keller, Austin, TX (US)
(73) Assignee: **YETI Coolers, LLC**, Austin, TX (US)
(**) Term: **15 Years**
(21) Appl. No.: **29/544,621**
(22) Filed: **Nov. 4, 2015**

Related U.S. Application Data

(63) Continuation of application No. 29/503,060, filed on Sep. 23, 2014.
(51) **LOC (10) Cl.** **03-01**
(52) **U.S. Cl.**
USPC **D3/318**
(58) **Field of Classification Search**
USPC D7/601-607, 393; D3/217, 221, 226, D3/232, 233, 245, 246, 267, 268, 273, D3/276, 283, 289, 315, 318, 327, D3/213-216, 225, 231, 254, 287, 303, D3/307, 320, 322, 324; 220/592.01, 220/592.09, 592.1, 592.2, 592.25, 694, 220/752, 760; D8/367, 373, 382, 383, D8/499; D30/139
CPC A45C 3/10; A45C 11/00; A45C 11/20; A45C 11/22; A45C 13/008; A45C 13/10; A45C 13/30; A45C 2013/1007; A45C 2013/1015; A45C 5/08; A45C 2200/00; A45C 2200/20; A45C 2003/007; A45C 2003/008; A45C 3/00; A45C 13/22; A63B 29/02; A63B 29/08; A63B 29/028; A45F 3/00; A45F 3/02; A45F 3/14; A45F
(Continued)

(56) **References Cited**
U.S. PATENT DOCUMENTS

2,119,621 A 6/1938 Ferrone
2,289,254 A 7/1942 Eagles
(Continued)

FOREIGN PATENT DOCUMENTS

BE 1015808 A6 9/2005
CA 2300014 A1 8/2001
(Continued)

OTHER PUBLICATIONS

The-gadgeteer.com: Tom Bihn Camera I-O Bag Review. Published by Janet Cloninger on Jul. 9, 2012. Retrieved from the Internet at <<http://the-gadgeteer.com/2012/07/09/tom-bihn-camera-i-o-bag-review/>>, Jan. 8, 2016. 7 pages.*

(Continued)

Primary Examiner — Rosemary K Tarcza
Assistant Examiner — Christy Nemeth
(74) *Attorney, Agent, or Firm* — Banner & Witcoff, Ltd.

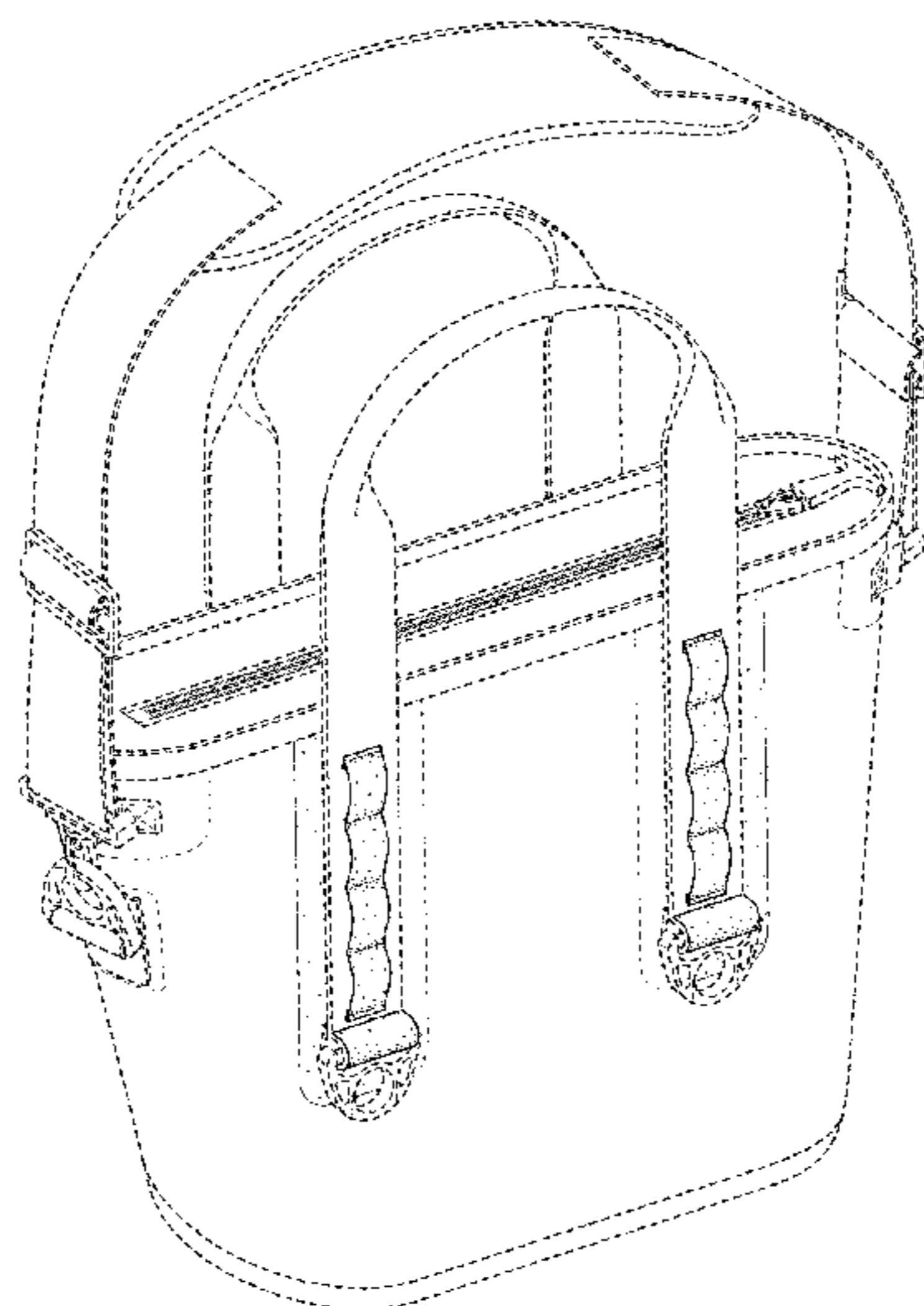
(57) **CLAIM**

The ornamental design for an insulating device, as shown and described.

DESCRIPTION

FIG. 1 is a top, front, left perspective view of an insulating device showing our new design;
FIG. 2 is a front view thereof;
FIG. 3 is a left side view thereof;
FIG. 4 is a right side view thereof; and,
FIG. 5 is a top view thereof.
The broken lines immediately adjacent to the shaded area represent unclaimed boundaries of the design. The broken lines showing the remainder of the insulating device are for the purpose of depicting environmental subject matter that forms no part of the claimed design.

1 Claim, 5 Drawing Sheets



US D786,560 S

(58) **Field of Classification Search**

CPC 2003/002; A45F 2003/142; A45F 5/10; A45F
 2005/108; A45F 2005/1013; B65D 33/00;
 B65D 33/105

See application file for complete search history.

(56) **References Cited**

U.S. PATENT DOCUMENTS

2,522,381 A 9/1950 Kramer
 2,575,191 A * 11/1951 Seipp B65D 31/04
 383/110
 2,661,785 A 12/1953 Daust
 2,954,891 A 10/1960 Imber
 3,066,846 A 12/1962 Domigan
 3,454,197 A 7/1969 Thompson
 3,814,288 A 6/1974 Westrich
 3,905,511 A 9/1975 Groendal
 4,194,627 A 3/1980 Christensen
 4,196,817 A 4/1980 Moser
 4,197,890 A 4/1980 Simko
 4,211,091 A 7/1980 Campbell
 4,248,366 A 2/1981 Christiansen
 4,344,303 A 8/1982 Kelly, Jr.
 4,372,453 A 2/1983 Branscum
 4,375,828 A 3/1983 Biddison
 4,399,668 A 8/1983 Williamson
 4,468,933 A 9/1984 Christopher
 4,513,895 A 4/1985 Leslie
 4,537,313 A 8/1985 Workman
 4,541,540 A * 9/1985 Gretz A45C 11/20
 220/523
 D281,546 S * 12/1985 Bradshaw D3/276
 4,571,338 A 2/1986 Okonogi et al.
 4,595,101 A 6/1986 Rivera
 4,596,370 A 6/1986 Adkins
 4,598,746 A 7/1986 Rabinowitz
 4,679,242 A 7/1987 Brockhaus
 4,708,254 A 11/1987 Byrns
 4,746,028 A 5/1988 Bagg
 4,759,077 A 7/1988 Leslie
 4,765,476 A 8/1988 Lee
 4,796,937 A 1/1989 Andrea
 4,802,344 A 2/1989 Livingston et al.
 4,802,602 A 2/1989 Evans et al.
 4,812,054 A * 3/1989 Kirkendall A45C 3/04
 383/110
 4,858,444 A 8/1989 Scott
 4,867,214 A 9/1989 Fuller
 4,886,183 A 12/1989 Fleming
 4,941,603 A 7/1990 Creamer et al.
 4,984,906 A 1/1991 Little
 4,986,089 A 1/1991 Raab
 4,989,418 A 2/1991 Hewlett
 5,005,679 A 4/1991 Hjelle
 5,042,664 A 8/1991 Shyr et al.
 5,048,734 A 9/1991 Long
 5,062,557 A 11/1991 Mahvi et al.
 5,190,376 A 3/1993 Book
 5,216,900 A 6/1993 Jones
 5,221,016 A 6/1993 Karpal
 5,237,838 A 8/1993 Merritt-Munson
 D339,979 S * 10/1993 Wehrley D6/315
 D340,387 S 10/1993 Melk
 D340,840 S 11/1993 Melk
 5,269,368 A 12/1993 Schneider et al.
 D343,992 S 2/1994 Melk
 5,297,870 A 3/1994 Weldon
 5,313,807 A 5/1994 Owen
 5,325,991 A 7/1994 Williams
 5,354,131 A 10/1994 Mogil
 5,398,848 A 3/1995 Padamsee
 5,400,610 A 3/1995 Macedo
 5,403,095 A * 4/1995 Melk A45C 11/20
 220/23.87
 5,421,172 A 6/1995 Jones
 5,447,764 A 9/1995 Langford

5,490,396 A 2/1996 Morris
 D371,052 S * 6/1996 Melk D7/607
 5,529,217 A 6/1996 Siegel
 D373,515 S 9/1996 Melk
 5,562,228 A 10/1996 Ericson
 5,564,568 A 10/1996 Rankin, Sr.
 5,569,401 A 10/1996 Gilliland et al.
 5,595,320 A 1/1997 Aghassipour
 5,680,944 A 10/1997 Rueter
 5,680,958 A 10/1997 Mann et al.
 5,687,874 A 11/1997 Omori et al.
 5,706,969 A 1/1998 Yamada et al.
 D394,553 S * 5/1998 Lin D3/318
 D395,555 S * 6/1998 Ursitti D34/29
 5,758,513 A 6/1998 Smith
 D397,273 S 8/1998 Collie
 5,842,571 A 12/1998 Rausch
 5,845,514 A 12/1998 Clarke et al.
 5,848,734 A 12/1998 Melk
 5,857,778 A 1/1999 Ells
 5,909,821 A 6/1999 Guridi
 5,913,448 A 6/1999 Mann et al.
 5,915,580 A 6/1999 Melk
 5,931,583 A 8/1999 Collie
 5,988,468 A 11/1999 Murdoch et al.
 5,988,879 A 11/1999 Bredderman et al.
 6,019,245 A 2/2000 Foster et al.
 6,027,249 A 2/2000 Bielinski
 6,029,847 A 2/2000 Mahoney, Jr. et al.
 D424,417 S * 5/2000 Axelsson D8/394
 6,059,140 A 5/2000 Hicks
 6,065,873 A 5/2000 Fowler
 6,068,402 A 5/2000 Freese et al.
 6,073,796 A 6/2000 Mogil
 6,082,589 A 7/2000 Ash et al.
 6,082,896 A 7/2000 Pulli
 6,092,266 A 7/2000 Lee
 6,128,915 A 10/2000 Wagner
 6,145,715 A 11/2000 Slonim
 6,220,473 B1 4/2001 Lehman et al.
 6,253,570 B1 7/2001 Lustig
 6,276,579 B1 8/2001 DeLoach
 D447,667 S * 9/2001 Schneider D3/287
 6,286,709 B1 9/2001 Hudson
 6,296,134 B1 10/2001 Cardinale
 6,296,165 B1 10/2001 Mears
 6,336,577 B1 1/2002 Harris et al.
 6,409,066 B1 6/2002 Schneider et al.
 6,422,032 B1 7/2002 Greene
 D465,134 S 11/2002 Joss
 6,481,239 B2 11/2002 Hodosh et al.
 D466,291 S * 12/2002 Ng D3/254
 6,495,194 B2 12/2002 Sato et al.
 6,505,479 B2 1/2003 Defelice et al.
 6,511,695 B1 1/2003 Paquin et al.
 6,554,155 B1 4/2003 Beggins
 6,582,124 B2 6/2003 Mogil
 6,595,687 B2 7/2003 Godshaw et al.
 6,604,649 B1 8/2003 Campi
 6,605,311 B2 8/2003 Villagran et al.
 6,619,447 B1 9/2003 Garcia, III et al.
 6,629,430 B2 10/2003 Mills et al.
 6,652,933 B2 11/2003 Hall
 6,655,543 B2 12/2003 Beuke
 6,729,758 B1 5/2004 Carter
 6,799,693 B2 10/2004 Meza
 D503,279 S * 3/2005 Smith D3/283
 6,874,356 B2 4/2005 Kornfeldt et al.
 D517,801 S * 3/2006 Woo D3/217
 7,153,025 B1 12/2006 Jackson et al.
 7,162,890 B2 1/2007 Mogil et al.
 D539,033 S * 3/2007 Cassegrain D3/246
 7,201,285 B2 4/2007 Beggins
 7,219,814 B2 5/2007 Lown et al.
 7,240,513 B1 7/2007 Conforti
 7,264,134 B2 9/2007 Tulp
 7,302,810 B2 12/2007 McCrory
 7,313,927 B2 1/2008 Barker
 7,344,028 B2 3/2008 Hanson

(56)

References Cited

U.S. PATENT DOCUMENTS		
7,481,065	B2	1/2009 Krieger
7,597,478	B2	10/2009 Pruchnicki et al.
7,634,919	B2	12/2009 Bernhard, Jr. et al.
D608,096	S *	1/2010 Noble D3/318
D611,706	S *	3/2010 Angles D3/243
7,682,080	B2 *	3/2010 Mogil A45C 7/0077 383/110
D617,560	S *	6/2010 Wu D3/318
D618,966	S *	7/2010 Koehler D7/607
D619,423	S *	7/2010 Koehler D7/607
D619,854	S	7/2010 Koehler et al.
D619,855	S *	7/2010 Koehler D7/607
D620,707	S *	8/2010 Mogil D3/246
D620,708	S *	8/2010 Sanz D3/276
7,784,759	B2	8/2010 Farrell
7,811,620	B2	10/2010 Merrill et al.
7,815,069	B1	10/2010 Bellofatto et al.
D629,612	S *	12/2010 Weldon D3/318
7,900,816	B2	3/2011 Kastanek et al.
D645,662	S *	9/2011 Perez D3/216
8,016,090	B2	9/2011 McCoy et al.
8,043,004	B2	10/2011 Mogil
D650,169	S *	12/2011 Klifa D3/245
8,096,442	B2	1/2012 Ramundi
8,191,747	B2	6/2012 Pruchnicki
8,209,995	B2	7/2012 Kieling et al.
D666,896	S *	9/2012 Pinholster, Jr. D8/356
D667,043	S *	9/2012 Couch, III D16/237
8,281,950	B2	10/2012 Potts et al.
D673,363	S *	1/2013 Crandall D3/217
D674,664	S	1/2013 Collie
8,424,713	B2	4/2013 Bolland
8,453,899	B1 *	6/2013 Calkin A45F 5/02 224/675
8,474,640	B2	7/2013 Armstrong
8,544,678	B1	10/2013 Hughes
8,573,002	B2	11/2013 Ledoux et al.
D695,568	S *	12/2013 Hayes D3/233
8,622,235	B2	1/2014 Suchecki
D699,940	S *	2/2014 Robert D3/216
D699,941	S *	2/2014 Robert D3/216
D703,946	S *	5/2014 Tweedie D3/216
8,720,739	B2	5/2014 Bollis
D711,096	S *	8/2014 Hanna D3/232
D712,555	S *	9/2014 Berg D24/190
D715,544	S *	10/2014 Levine D3/246
D718,931	S *	12/2014 Brundl D3/232
D719,303	S *	12/2014 Anderson D29/124
D732,348	S *	6/2015 Seiders D3/246
D732,349	S *	6/2015 Seiders D3/246
D732,350	S *	6/2015 Seiders D3/246
D732,899	S *	6/2015 Seiders D3/246
D739,654	S *	9/2015 Brouard D3/276
9,139,352	B2 *	9/2015 Seiders B65D 81/3858
D747,104	S *	1/2016 Ford D3/216
D752,347	S *	3/2016 Seiders D3/318
D756,109	S *	5/2016 Hayashi D3/232
D760,494	S *	7/2016 Harvey-Pankey D3/232
D761,561	S *	7/2016 Cheng D3/246
D763,570	S *	8/2016 Potts D3/232
D764,791	S *	8/2016 Patel D3/232
D770,763	S *	11/2016 Joo D3/232
D772,562	S *	11/2016 Petre D3/216
2002/0197369	A1	12/2002 Modler
2003/0070447	A1	4/2003 Tanaka
2003/0080133	A1	5/2003 Butler
2003/0106895	A1	6/2003 Kalal
2003/0136702	A1	7/2003 Redzisz et al.
2003/0175394	A1	9/2003 Modler
2004/0004111	A1	1/2004 Cardinale
2004/0028296	A1	2/2004 Meli
2004/0074936	A1	4/2004 McDonald
2004/0094589	A1	5/2004 Fricano
2004/0144783	A1	7/2004 Anderson et al.
2004/0164084	A1	8/2004 Cooper
2004/0237266	A1	12/2004 Wang
2005/0016895	A1	1/2005 Glenn
2005/0045520	A1	3/2005 Johnson
2005/0045521	A1	3/2005 Johnson et al.
2005/0196510	A1	9/2005 Walters
2005/0262871	A1	12/2005 Bailey-Weston
2005/0263528	A1	12/2005 Maldonado et al.
2005/0279124	A1	12/2005 Maldonado
2006/0102497	A1	5/2006 Wulf
2006/0151533	A1	7/2006 Simunovic et al.
2006/0201979	A1	9/2006 Achilles
2006/0240159	A1	10/2006 Cash et al.
2007/0012593	A1	1/2007 Kitchens et al.
2007/0148305	A1	6/2007 Sherwood et al.
2007/0148307	A1	6/2007 Sherwood et al.
2007/0217187	A1	9/2007 Blakely et al.
2007/0221693	A1	9/2007 Moore
2007/0237432	A1	10/2007 Mogil
2007/0261977	A1	11/2007 Sakai
2007/0274613	A1 *	11/2007 Pruchnicki A45C 7/0077 383/110
2007/0290816	A1	12/2007 Bedard
2008/0038424	A1	2/2008 Krusemann
2008/0073364	A1	3/2008 Simmons
2008/0105282	A1	5/2008 Fernholz et al.
2008/0128421	A1	6/2008 Ulbrand et al.
2008/0160149	A1	7/2008 Nasrallah et al.
2008/0164265	A1	7/2008 Conforti
2008/0178865	A1	7/2008 Retterer
2008/0245096	A1	10/2008 Hanson et al.
2008/0260303	A1	10/2008 De Lesseux et al.
2008/0305235	A1	12/2008 Gao et al.
2009/0052809	A1	2/2009 Sampson
2009/0095757	A1	4/2009 Ramundi
2009/0280229	A1	11/2009 Constantine et al.
2009/0311378	A1	12/2009 Wilaschin et al.
2009/0317514	A1	12/2009 Sizer
2010/0047423	A1	2/2010 Krusemann et al.
2010/0059199	A1	3/2010 Court
2010/0075006	A1	3/2010 Semenza
2010/0108694	A1	5/2010 Sedlbauer et al.
2010/0136203	A1	6/2010 Sakata et al.
2010/0143567	A1	6/2010 Ye et al.
2010/0224660	A1 *	9/2010 Gleason A45F 3/047 224/264
2011/0003975	A1	1/2011 Arase et al.
2011/0005739	A1	1/2011 Finney et al.
2011/0030415	A1	2/2011 Breyburg et al.
2011/0097442	A1	4/2011 Harju et al.
2011/0108562	A1	5/2011 Lyons
2011/0167863	A1	7/2011 Herrbold
2011/0182532	A1	7/2011 Baltus
2011/0191933	A1 *	8/2011 Gregory A41D 13/0012 2/69
2011/0284601	A1	11/2011 Pullin
2011/0311166	A1	12/2011 Pascua
2012/0106130	A1	5/2012 Beaudette
2012/0137637	A1	6/2012 Gillis
2012/0180184	A1 *	7/2012 Crye A41D 13/0007 2/69
2012/0181211	A1	7/2012 Charlebois
2012/0187138	A1	7/2012 Vasquez et al.
2012/0294550	A1	11/2012 Hassman et al.
2012/0311828	A1	12/2012 Nir
2013/0014355	A1	1/2013 Lee
2013/0043285	A1	2/2013 Cordray
2013/0174600	A1	7/2013 Sarcinella
2013/0216158	A1 *	8/2013 Meldeau A45C 3/04 383/24
2013/0264350	A1	10/2013 Handlon et al.
2013/0294712	A1 *	11/2013 Seuk A45F 3/04 383/117
2013/0341338	A1	12/2013 Mitchell et al.
2014/0023295	A1	1/2014 Wagner
2015/0225164	A1 *	8/2015 Seiders B65D 81/3858 220/592.25

(56)

References Cited

U.S. PATENT DOCUMENTS

2015/0353263 A1* 12/2015 Seiders B65D 81/3858
 29/428
 2016/0257479 A1* 9/2016 Seiders B65D 81/389
 2016/0338462 A1* 11/2016 Hayashi A45C 13/26

FOREIGN PATENT DOCUMENTS

CA 2327764 A1 6/2002
 CA 2433251 A1 12/2004
 CA 2483802 A1 4/2006
 CA 2498796 A1 9/2006
 CA 2499291 A1 9/2006
 CA 2503473 A1 10/2006
 CA 2548064 A1 11/2007
 CA 2549327 A1 11/2007
 CA 2782668 A1 12/2013
 CN 2125339 U 12/1992
 CN 2188899 Y 2/1995
 CN 201062136 Y 5/2008
 CN 102717977 A 10/2012
 CN 202619972 U 12/2012
 CN 202959175 U 6/2013
 CN 103385657 A 11/2013
 DE 3539626 A1 5/1987
 DE 20002689 U1 8/2000
 DE 202011050174 U1 7/2011
 DE 202013101115 U1 3/2013
 EP 0037545 A2 10/1981
 EP 0082131 A2 6/1983
 EP 0158634 A1 10/1985
 EP 0174159 A2 3/1986
 FR 1269009 A 8/1961
 FR 2440886 A1 6/1980
 GB 2249717 A 5/1992

GB 2335972 A 10/1999
 JP 11051532 2/1999
 JP 3275477 B2 4/2002
 JP 2003026258 A 1/2003
 JP 2010023926 A 2/2010
 KR 20020027739 A 4/2002
 KR 20040092730 A 11/2004
 WO 9524146 A2 9/1995
 WO 9812954 A1 4/1998
 WO 2006058538 A1 6/2006
 WO 2010106296 A2 9/2010
 WO 2010120199 A1 10/2010
 WO 2014033450 A1 3/2014

OTHER PUBLICATIONS

YouTube.com: Patagonia Black Hole Duffel 60L. Published Aug. 26, 2013. Retrieved from the internet at <<https://www.youtube.com/watch?v=W-PWEmZmVv8>>, Dec. 19, 2016. 1 page.*
 TheGadgeteer.com: Tom Bihn Camera I-O Bag Review. Published Jul. 9, 2012. Retrieved from the internet at <<http://the-gadgeteer.com/2012/07/09/tom-bihn-camera-i-o-bag-review/>>, Jan. 11, 2016. 7 pages.*
 Stopper Dry Bag, <http://www.seatosummit.com/products/display/181>, published date unknown, but prior to the filing date of the present application, Sea to Summit, United States.
 Icemule Classic Cooler—Large (20L), <http://www.icemulecooler.com/icemule-classic-cooler-large-20l/>, published date unknown, but prior to the filing date of the present application, Icemule, United States.
 Devonbuy.com: Thule Gauntlet 13" MacBook Pro Attaché. Published on Jul. 28, 2014. Retrieved from the Internet at <<http://www.devonbuy.com/thule-gauntlet-13-macbook-pro-attache/>>, Feb. 24, 2016. 9 pages.

* cited by examiner

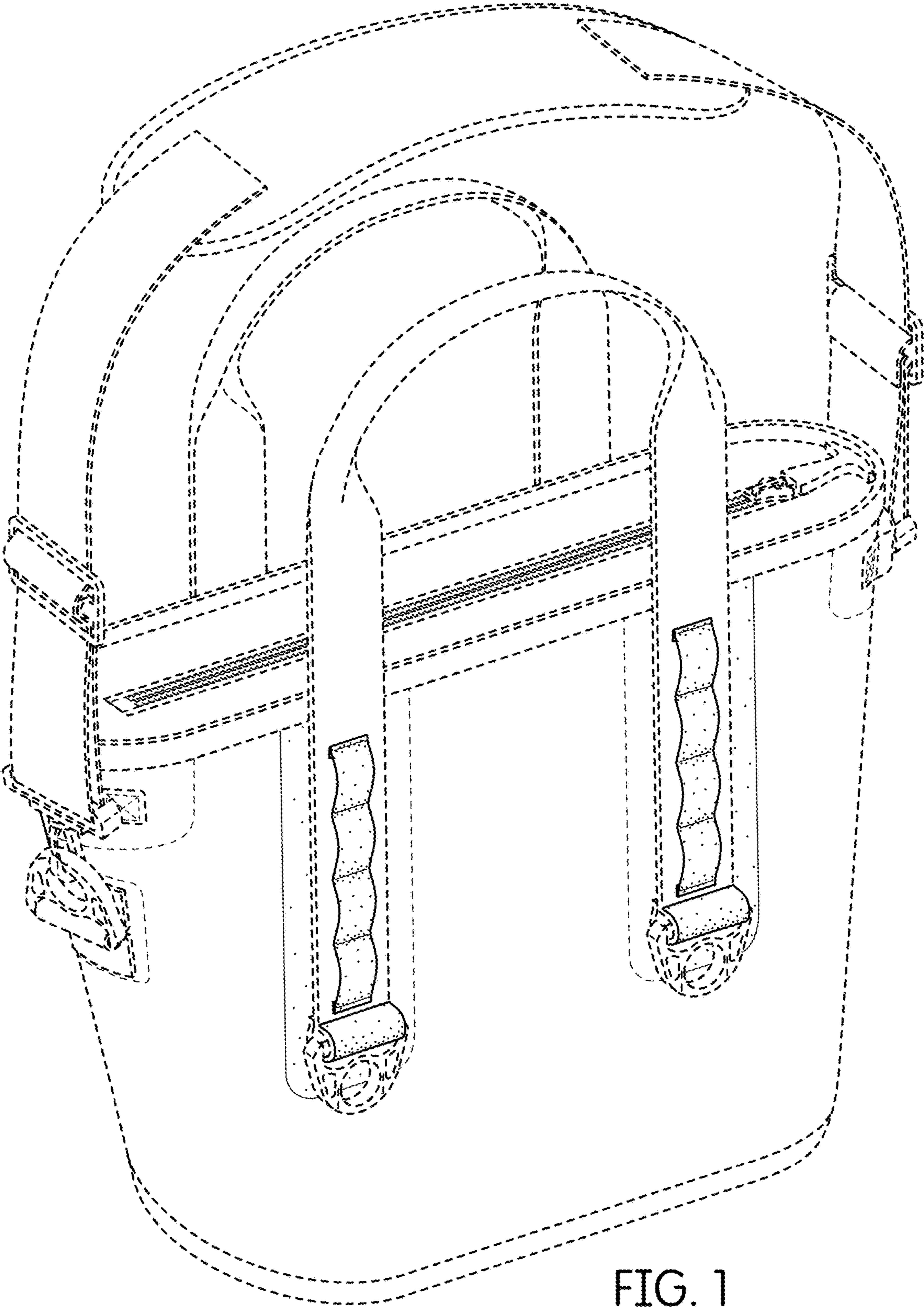


FIG. 1

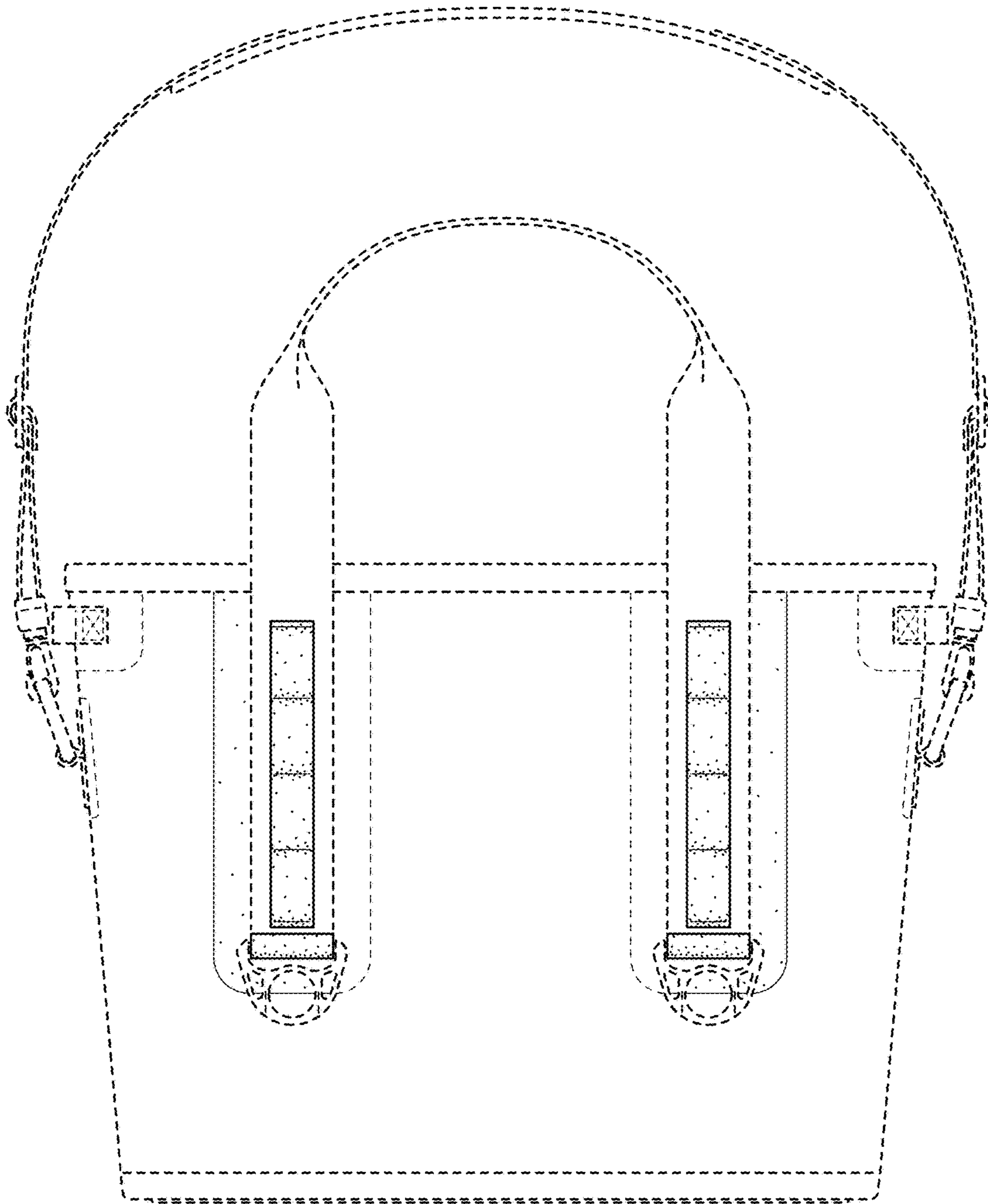


FIG. 2

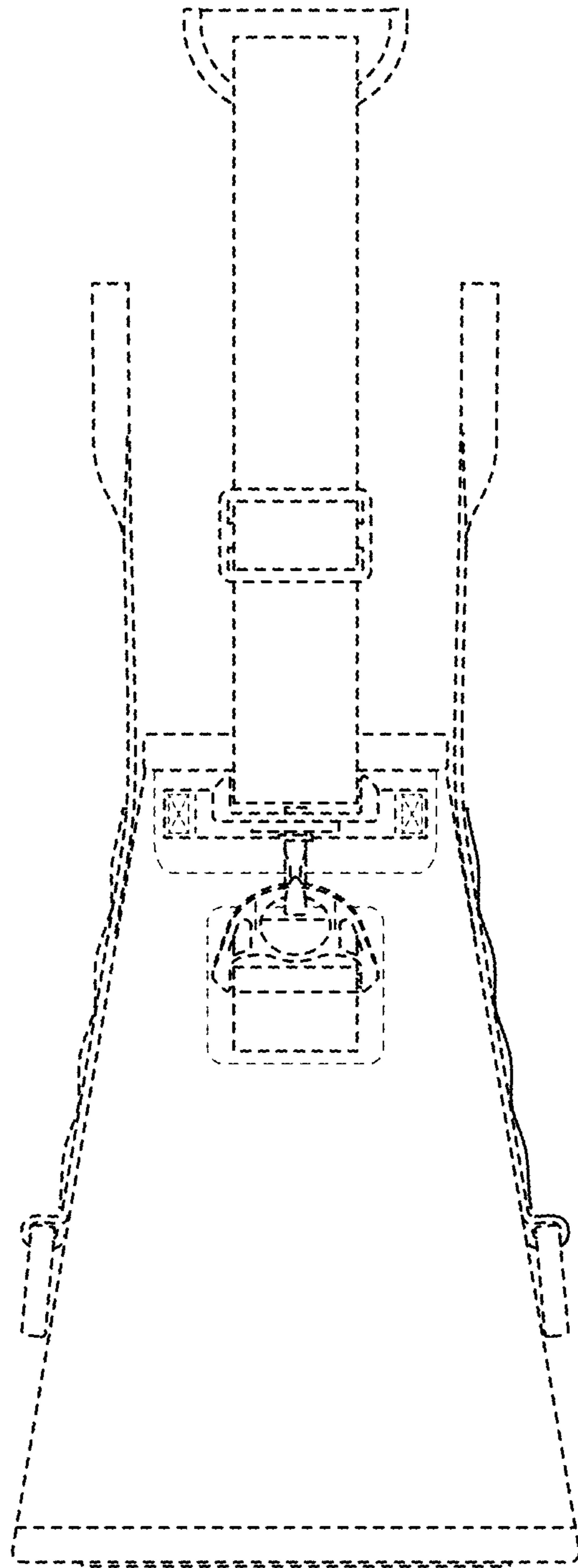


FIG. 3

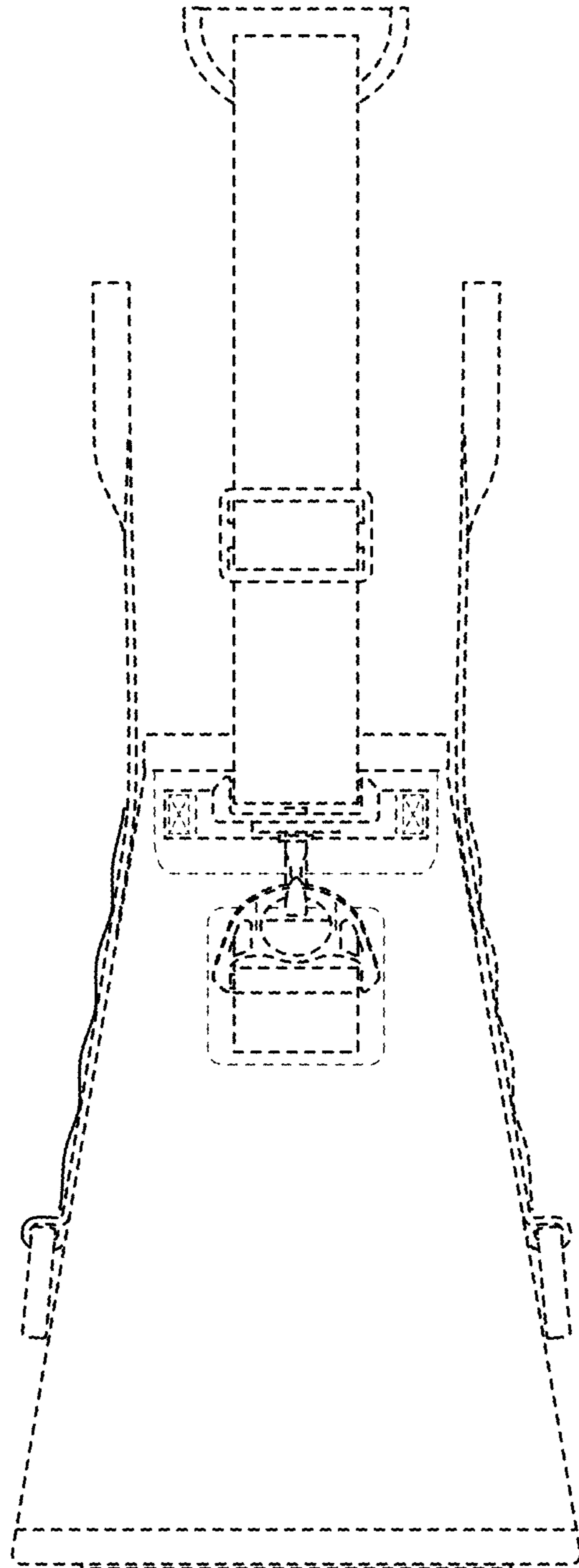


FIG. 4

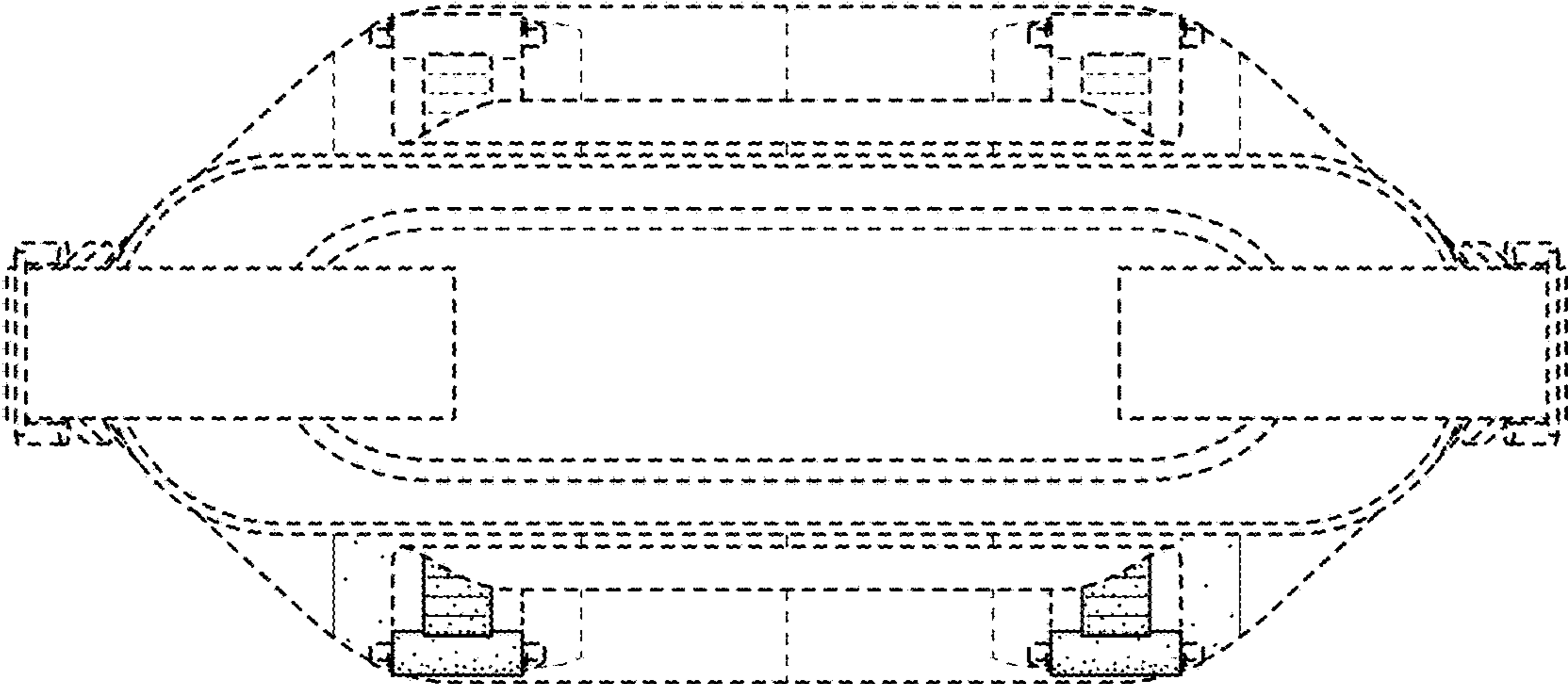


FIG. 5