



US00D78659S

(12) **United States Design Patent** (10) **Patent No.:** **US D786,559 S**
Seiders et al. (45) **Date of Patent:** **** May 16, 2017**

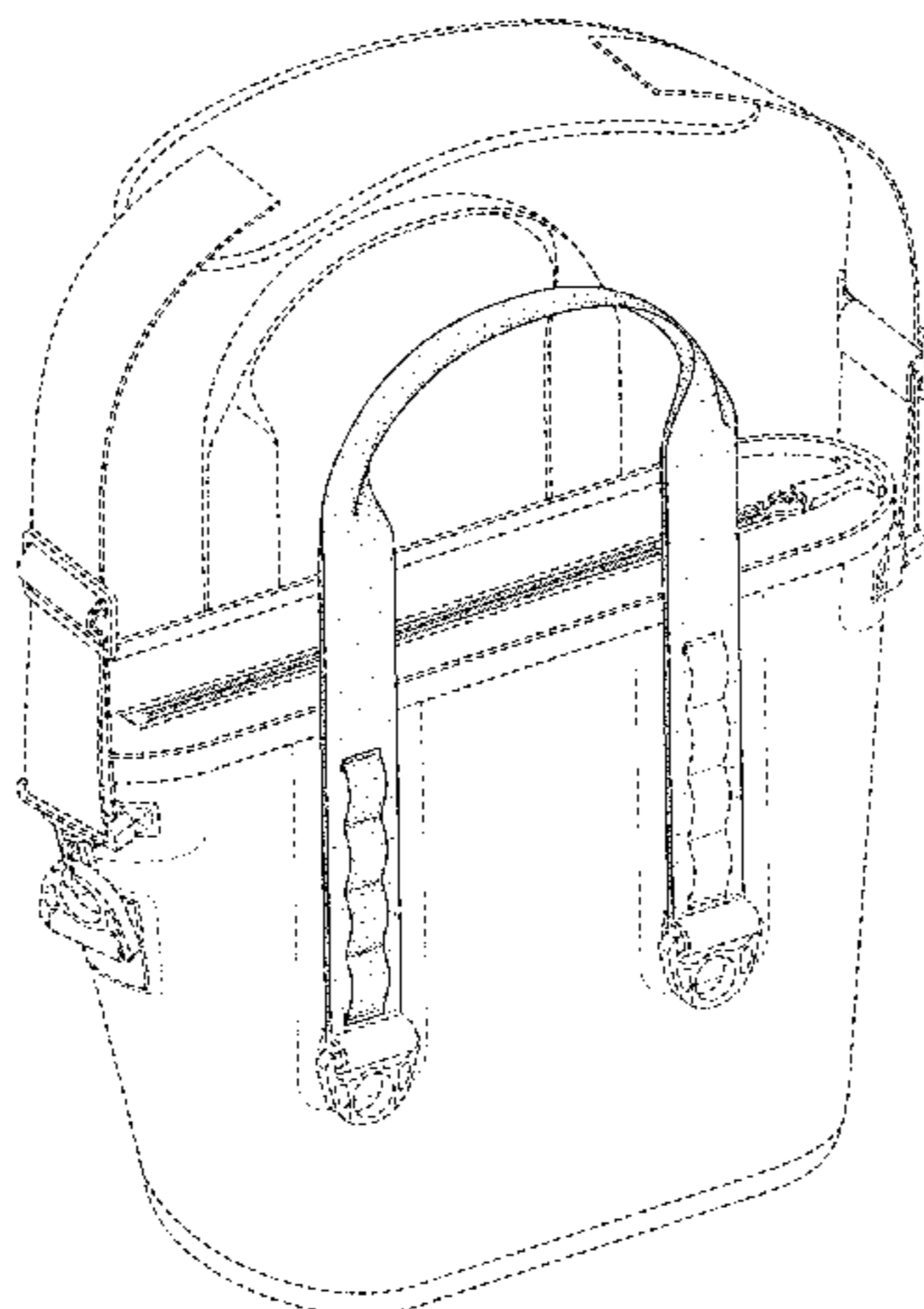
(54) **INSULATING DEVICE**
 (71) Applicant: **YETI Coolers, LLC**, Austin, TX (US)
 (72) Inventors: **Roy Joseph Seiders**, Austin, TX (US);
Christopher M. Keller, Austin, TX (US)
 (73) Assignee: **YETI Coolers, LLC**, Austin, TX (US)
 (**) Term: **15 Years**
 (21) Appl. No.: **29/544,615**
 (22) Filed: **Nov. 4, 2015**

Related U.S. Application Data

(63) Continuation of application No. 29/503,060, filed on Sep. 23, 2014.
 (51) **LOC (10) Cl.** **03-01**
 (52) **U.S. Cl.**
 USPC **D3/318**
 (58) **Field of Classification Search**
 USPC D7/601-607, 393; D3/217, 221, 226, D3/232, 233, 245, 246, 267, 268, 273, D3/276, 283, 289, 315, 318, 327, D3/213-216, 225, 231, 254, 287, 303, D3/307, 320, 322, 324; 220/592.01, 220/592.09, 592.1, 592.2, 592.25, 694, 220/752, 760; D8/367, 373, 382, 383, D8/499; D30/139
 CPC A45C 3/10; A45C 11/00; A45C 11/20; A45C 11/22; A45C 13/008; A45C 13/10; A45C 13/30; A45C 2013/1007; A45C 2013/1015; A45C 5/08; A45C 2200/00; A45C 2200/20; A45C 2003/007; A45C 2003/008; A45C 13/22; A63B 29/02; A63B 29/08; A63B 29/028; A45F 3/00; A45F 3/02; A45F 3/14; A45F 2003/002; A45F2003/142; A45F 5/10; A45F 2005/108; A45F 2005/1013; B65D 33/00; B65D 33/105
 See application file for complete search history.

2,289,254 A	7/1942	Eagles	
2,522,381 A	9/1950	Kramer	
2,575,191 A *	11/1951	Seipp	B65D 31/04 383/110
2,661,785 A	12/1953	Daust	
2,954,891 A	10/1960	Imber	
3,066,846 A	12/1962	Domigan	
3,454,197 A	7/1969	Thompson	
3,814,288 A	6/1974	Westrich	
3,905,511 A	9/1975	Groendal	
4,194,627 A	3/1980	Christensen	
4,196,817 A	4/1980	Moser	
4,197,890 A	4/1980	Simko	
4,211,091 A	7/1980	Campbell	
4,248,366 A	2/1981	Christiansen	
4,344,303 A	8/1982	Kelly, Jr.	
4,372,453 A	2/1983	Branscum	
4,375,828 A	3/1983	Biddison	
4,399,668 A	8/1983	Williamson	
4,468,933 A	9/1984	Christopher	
4,513,895 A	4/1985	Leslie	
4,537,313 A	8/1985	Workman	
4,541,540 A *	9/1985	Gretz	A45C 11/20 220/523
D281,546 S *	12/1985	Bradshaw	D3/276
4,571,338 A	2/1986	Okonogi et al.	
4,595,101 A	6/1986	Rivera	
4,596,370 A	6/1986	Adkins	
4,598,746 A	7/1986	Rabinowitz	
4,679,242 A	7/1987	Brockhaus	
4,708,254 A	11/1987	Byrns	
4,746,028 A	5/1988	Bagg	
4,759,077 A	7/1988	Leslie	
4,765,476 A	8/1988	Lee	
4,796,937 A	1/1989	Andrea	
4,802,344 A	2/1989	Livingston et al.	
4,802,602 A	2/1989	Evans et al.	
4,812,054 A *	3/1989	Kirkendall	A45C 3/04 383/110
4,858,444 A	8/1989	Scott	
4,867,214 A	9/1989	Fuller	
4,886,183 A	12/1989	Fleming	
4,941,603 A	7/1990	Creamer et al.	
4,984,906 A	1/1991	Little	
4,986,089 A	1/1991	Raab	
4,989,418 A	2/1991	Hewlett	
5,005,679 A	4/1991	Hjelle	
5,042,664 A	8/1991	Shyr et al.	
5,048,734 A	9/1991	Long	
5,062,557 A	11/1991	Mahvi et al.	
5,190,376 A	3/1993	Book	
5,216,900 A	6/1993	Jones	
5,221,016 A	6/1993	Karpal	

(56) **References Cited**
 U.S. PATENT DOCUMENTS
 2,119,621 A 6/1938 Ferrone



US D786,559 S

5,237,838 A	8/1993	Merritt-Munson		6,655,543 B2	12/2003	Beuke	
D339,979 S *	10/1993	Wehrley	D6/315	6,729,758 B1	5/2004	Carter	
D340,387 S	10/1993	Melk		6,799,693 B2	10/2004	Meza	
D340,840 S	11/1993	Melk		D503,279 S *	3/2005	Smith	D3/283
5,269,368 A	12/1993	Schneider et al.		6,874,356 B2	4/2005	Kornfeldt et al.	
D343,992 S	2/1994	Melk		D517,801 S *	3/2006	Woo	D3/217
5,297,870 A	3/1994	Weldon		7,153,025 B1	12/2006	Jackson et al.	
5,313,807 A	5/1994	Owen		7,162,890 B2	1/2007	Mogil et al.	
5,325,991 A	7/1994	Williams		D539,033 S *	3/2007	Cassegrain	D3/246
5,354,131 A	10/1994	Mogil		7,201,285 B2	4/2007	Beggins	
5,398,848 A	3/1995	Padamsee		7,219,814 B2	5/2007	Lown et al.	
5,400,610 A	3/1995	Macedo		7,240,513 B1	7/2007	Conforti	
5,403,095 A *	4/1995	Melk	A45C 11/20 220/23.87	7,264,134 B2	9/2007	Tulp	
				7,302,810 B2	12/2007	McCrory	
5,421,172 A	6/1995	Jones		7,313,927 B2	1/2008	Barker	
5,447,764 A	9/1995	Langford		7,344,028 B2	3/2008	Hanson	
5,490,396 A	2/1996	Morris		7,481,065 B2	1/2009	Krieger	
D371,052 S *	6/1996	Melk	D7/607	7,597,478 B2	10/2009	Pruchnicki et al.	
5,529,217 A	6/1996	Siegel		7,634,919 B2	12/2009	Bernhard, Jr. et al.	
D373,515 S	9/1996	Melk		D608,096 S *	1/2010	Noble	D3/318
5,562,228 A	10/1996	Ericson		D611,706 S *	3/2010	Angles	D3/243
5,564,568 A	10/1996	Rankin, Sr.		7,682,080 B2 *	3/2010	Mogil	A45C 7/0077 383/110
5,569,401 A	10/1996	Gilliland et al.		D617,560 S *	6/2010	Wu	D3/318
5,595,320 A	1/1997	Aghassipour		D618,966 S *	7/2010	Koehler	D7/607
5,680,944 A	10/1997	Rueter		D619,423 S *	7/2010	Koehler	D7/607
5,680,958 A	10/1997	Mann et al.		D619,854 S	7/2010	Koehler et al.	
5,687,874 A	11/1997	Omori et al.		D619,855 S *	7/2010	Koehler	D7/607
5,706,969 A	1/1998	Yamada et al.		D620,707 S *	8/2010	Mogil	D3/246
D394,553 S *	5/1998	Lin	D3/318	D620,708 S *	8/2010	Sanz	D3/276
D395,555 S *	6/1998	Ursitti	D34/29	7,784,759 B2	8/2010	Farrell	
5,758,513 A	6/1998	Smith		7,811,620 B2	10/2010	Merrill et al.	
D397,273 S	8/1998	Collie		7,815,069 B1	10/2010	Bellofatto et al.	
5,842,571 A	12/1998	Rausch		D629,612 S *	12/2010	Weldon	D3/318
5,845,514 A	12/1998	Clarke et al.		7,900,816 B2	3/2011	Kastanek et al.	
5,848,734 A	12/1998	Melk		D645,662 S *	9/2011	Perez	D3/216
5,857,778 A	1/1999	Ells		8,016,090 B2	9/2011	McCoy et al.	
5,909,821 A	6/1999	Guridi		8,043,004 B2	10/2011	Mogil	
5,913,448 A	6/1999	Mann et al.		D650,169 S *	12/2011	Klifa	D3/245
5,915,580 A	6/1999	Melk		8,096,442 B2	1/2012	Ramundi	
5,931,583 A	8/1999	Collie		8,191,747 B2	6/2012	Pruchnicki	
5,988,468 A	11/1999	Murdoch et al.		8,209,995 B2	7/2012	Kieling et al.	
5,988,879 A	11/1999	Bredderman et al.		D666,896 S *	9/2012	Pinholster, Jr.	D8/356
6,019,245 A	2/2000	Foster et al.		D667,043 S *	9/2012	Couch, III	D16/237
6,027,249 A	2/2000	Bielinski		8,281,950 B2	10/2012	Potts et al.	
6,029,847 A	2/2000	Mahoney, Jr. et al.		D673,363 S *	1/2013	Crandall	D3/217
D424,417 S *	5/2000	Axelsson	D8/394	D674,664 S	1/2013	Collie	
6,059,140 A	5/2000	Hicks		8,424,713 B2	4/2013	Bolland	
6,065,873 A	5/2000	Fowler		8,453,899 B1 *	6/2013	Calkin	A45F 5/02 224/675
6,068,402 A	5/2000	Freese et al.					
6,073,796 A	6/2000	Mogil		8,474,640 B2	7/2013	Armstrong	
6,082,589 A	7/2000	Ash et al.		8,544,678 B1	10/2013	Hughes	
6,082,896 A	7/2000	Pulli		8,573,002 B2	11/2013	Ledoux et al.	
6,092,266 A	7/2000	Lee		D695,568 S *	12/2013	Hayes	D3/233
6,128,915 A	10/2000	Wagner		8,622,235 B2	1/2014	Suchecki	
6,145,715 A	11/2000	Slonim		D699,940 S *	2/2014	Robert	D3/216
6,220,473 B1	4/2001	Lehman et al.		D699,941 S *	2/2014	Robert	D3/216
6,253,570 B1	7/2001	Lustig		D703,946 S *	5/2014	Tweedie	D3/216
6,276,579 B1	8/2001	DeLoach		8,720,739 B2	5/2014	Bollis	
D447,667 S *	9/2001	Schneider	D3/287	D711,096 S *	8/2014	Hanna	D3/232
6,286,709 B1	9/2001	Hudson		D712,555 S *	9/2014	Berg	D24/190
6,296,134 B1	10/2001	Cardinale		D715,544 S *	10/2014	Levine	D3/246
6,296,165 B1	10/2001	Mears		D718,931 S *	12/2014	Brundl	D3/232
6,336,577 B1	1/2002	Harris et al.		D719,303 S *	12/2014	Anderson	D29/124
6,409,066 B1	6/2002	Schneider et al.		D732,348 S *	6/2015	Seiders	D3/246
6,422,032 B1	7/2002	Greene		D732,349 S *	6/2015	Seiders	D3/246
D465,134 S	11/2002	Joss		D732,350 S *	6/2015	Seiders	D3/246
6,481,239 B2	11/2002	Hodosh et al.		D732,899 S *	6/2015	Seiders	D3/246
D466,291 S *	12/2002	Ng	D3/254	D739,654 S *	9/2015	Brouard	D3/276
6,495,194 B2	12/2002	Sato et al.		9,139,352 B2 *	9/2015	Seiders	B65D 81/3858
6,505,479 B2	1/2003	Defelice et al.		D747,104 S *	1/2016	Ford	D3/216
6,511,695 B1	1/2003	Paquin et al.		D752,347 S *	3/2016	Seiders	D3/318
6,554,155 B1	4/2003	Beggins		D756,109 S *	5/2016	Hayashi	D3/232
6,582,124 B2	6/2003	Mogil		D760,494 S *	7/2016	Harvey-Pankey	D3/232
6,595,687 B2	7/2003	Godshaw et al.		D761,561 S *	7/2016	Cheng	D3/246
6,604,649 B1	8/2003	Campi		D763,570 S *	8/2016	Potts	D3/232
6,605,311 B2	8/2003	Villagran et al.		D764,791 S *	8/2016	Patel	D3/232
6,619,447 B1	9/2003	Garcia, III et al.		D770,763 S *	11/2016	Joo	D3/232
6,629,430 B2	10/2003	Mills et al.		D772,562 S *	11/2016	Petre	D3/216
6,652,933 B2	11/2003	Hall					

US D786,559 S

2002/0197369	A1	12/2002	Modler	2013/0216158	A1*	8/2013	Meldeau	A45C 3/04
2003/0070447	A1	4/2003	Tanaka					383/24
2003/0080133	A1	5/2003	Butler	2013/0264350	A1	10/2013	Handlon et al.	
2003/0106895	A1	6/2003	Kalal	2013/0294712	A1*	11/2013	Seuk	A45F 3/04
2003/0136702	A1	7/2003	Redzisz et al.					383/117
2003/0175394	A1	9/2003	Modler	2013/0341338	A1	12/2013	Mitchell et al.	
2004/0004111	A1	1/2004	Cardinale	2014/0023295	A1	1/2014	Wagner	
2004/0028296	A1	2/2004	Meli	2015/0225164	A1*	8/2015	Seiders	B65D 81/3858
2004/0074936	A1	4/2004	McDonald					220/592.25
2004/0094589	A1	5/2004	Fricano	2015/0353263	A1*	12/2015	Seiders	B65D 81/3858
2004/0144783	A1	7/2004	Anderson et al.					29/428
2004/0164084	A1	8/2004	Cooper	2016/0257479	A1*	9/2016	Seiders	B65D 81/389
2004/0237266	A1	12/2004	Wang	2016/0338462	A1*	11/2016	Hayashi	A45C 13/26
2005/0016895	A1	1/2005	Glenn					
2005/0045520	A1	3/2005	Johnson					
2005/0045521	A1	3/2005	Johnson et al.					
2005/0196510	A1	9/2005	Walters					
2005/0262871	A1	12/2005	Bailey-Weston					
2005/0263528	A1	12/2005	Maldonado et al.					
2005/0279124	A1	12/2005	Maldonado					
2006/0102497	A1	5/2006	Wulf					
2006/0151533	A1	7/2006	Simunovic et al.					
2006/0201979	A1	9/2006	Achilles					
2006/0240159	A1	10/2006	Cash et al.					
2007/0012593	A1	1/2007	Kitchens et al.					
2007/0148305	A1	6/2007	Sherwood et al.					
2007/0148307	A1	6/2007	Sherwood et al.					
2007/0217187	A1	9/2007	Blakely et al.					
2007/0221693	A1	9/2007	Moore					
2007/0237432	A1	10/2007	Mogil					
2007/0261977	A1	11/2007	Sakai					
2007/0274613	A1*	11/2007	Pruchnicki	A45C 7/0077				383/110
2007/0290816	A1	12/2007	Bedard					
2008/0038424	A1	2/2008	Krusemann					
2008/0073364	A1	3/2008	Simmons					
2008/0105282	A1	5/2008	Fernholz et al.					
2008/0128421	A1	6/2008	Ulbrand et al.					
2008/0160149	A1	7/2008	Nasrallah et al.					
2008/0164265	A1	7/2008	Conforti					
2008/0178865	A1	7/2008	Retterer					
2008/0245096	A1	10/2008	Hanson et al.					
2008/0260303	A1	10/2008	De Lesseux et al.					
2008/0305235	A1	12/2008	Gao et al.					
2009/0052809	A1	2/2009	Sampson					
2009/0095757	A1	4/2009	Ramundi					
2009/0280229	A1	11/2009	Constantine et al.					
2009/0311378	A1	12/2009	Wilaschin et al.					
2009/0317514	A1	12/2009	Sizer					
2010/0047423	A1	2/2010	Krusemann et al.					
2010/0059199	A1	3/2010	Court					
2010/0075006	A1	3/2010	Semenza					
2010/0108694	A1	5/2010	Sedlbauer et al.					
2010/0136203	A1	6/2010	Sakata et al.					
2010/0143567	A1	6/2010	Ye et al.					
2010/0224660	A1*	9/2010	Gleason	A45F 3/047				224/264
2011/0003975	A1	1/2011	Arase et al.					
2011/0005739	A1	1/2011	Finney et al.					
2011/0030415	A1	2/2011	Breyburg et al.					
2011/0097442	A1	4/2011	Harju et al.					
2011/0108562	A1	5/2011	Lyons					
2011/0167863	A1	7/2011	Herrbold					
2011/0182532	A1	7/2011	Baltus					
2011/0191933	A1*	8/2011	Gregory	A41D 13/0012				2/69
2011/0284601	A1	11/2011	Pullin					
2011/0311166	A1	12/2011	Pascua					
2012/0106130	A1	5/2012	Beaudette					
2012/0137637	A1	6/2012	Gillis					
2012/0180184	A1*	7/2012	Crye	A41D 13/0007				2/69
2012/0181211	A1	7/2012	Charlebois					
2012/0187138	A1	7/2012	Vasquez et al.					
2012/0294550	A1	11/2012	Hassman et al.					
2012/0311828	A1	12/2012	Nir					
2013/0014355	A1	1/2013	Lee					
2013/0043285	A1	2/2013	Cordray					
2013/0174600	A1	7/2013	Sarcinella					

FOREIGN PATENT DOCUMENTS

BE	1015808	A6	9/2005
CA	2300014	A1	8/2001
CA	2327764	A1	6/2002
CA	2433251	A1	12/2004
CA	2483802	A1	4/2006
CA	2498796	A1	9/2006
CA	2499291	A1	9/2006
CA	2503473	A1	10/2006
CA	2548064	A1	11/2007
CA	2549327	A1	11/2007
CA	2782668	A1	12/2013
CN	2125339	U	12/1992
CN	2188899	Y	2/1995
CN	201062136	Y	5/2008
CN	102717977	A	10/2012
CN	202619972	U	12/2012
CN	202959175	U	6/2013
CN	103385657	A	11/2013
DE	3539626	A1	5/1987
DE	20002689	U1	8/2000
DE	202011050174	U1	7/2011
DE	202013101115	U1	3/2013
EP	0037545	A2	10/1981
EP	0082131	A2	6/1983
EP	0158634	A1	10/1985
EP	0174159	A2	3/1986
FR	1269009	A	8/1961
FR	2440886	A1	6/1980
GB	2249717	A	5/1992
GB	2335972	A	10/1999
JP	11051532		2/1999
JP	3275477	B2	4/2002
JP	2003026258	A	1/2003
JP	2010023926	A	2/2010
KR	20020027739	A	4/2002
KR	20040092730	A	11/2004
WO	9524146	A2	9/1995
WO	9812954	A1	4/1998
WO	2006058538	A1	6/2006
WO	2010106296	A2	9/2010
WO	2010120199	A1	10/2010
WO	2014033450	A1	3/2014

OTHER PUBLICATIONS

The-gadgeteer.com: Tom Bihn Camera I-O Bag Review. Published by Janet Cloninger on Jul. 9, 2012. Retrieved from the Internet at <<http://the-gadgeteer.com/2012/07/09/tom-bihn-camera-i-o-bag-review/>>, Jan. 8, 2016. 7 pages.*

Stopper Dry Bag, <http://www.seatosummit.com/products/display/181>, published date unknown, but prior to the filing date of the present application, Sea To Summit, United States.

Icemule Classic Cooler—Large (20L), <http://www.icmulecooler.com/icmule-classic-cooler-large-20l/>, published date unknown, but prior to the filing date of the present application, Icemule, United States.

Devonbuy.com: Thule Gauntlet 13" MacBook Pro Attaché. Published on Jul. 28, 2014. Retrieved from the Internet at (<http://www.devonbuy.com/thule-gauntlet-13-macbook-pro-attache/>), Feb. 24, 2016. 9 pages.

* cited by examiner

Primary Examiner — Rosemary K Tarca
Assistant Examiner — Christy Nemeth
(74) *Attorney, Agent, or Firm* — Banner & Witcoff, Ltd.

(57)

CLAIM

The ornamental design for an insulating device, as shown and described.

DESCRIPTION

FIG. 1 is a top, front, left perspective view of an insulating device showing our new design;

FIG. 2 is a front view thereof;

FIG. 3 is a left side view thereof; and,

FIG. 4 is a right side view thereof.

The broken lines showing the remainder of the insulating device are for the purpose of depicting environmental subject matter which forms no part of the claimed design. The stipple shading in the drawings is a drawing convention to represent curvature; it does not illustrate material, surface ornamentation, or surface decoration.

1 Claim, 4 Drawing Sheets

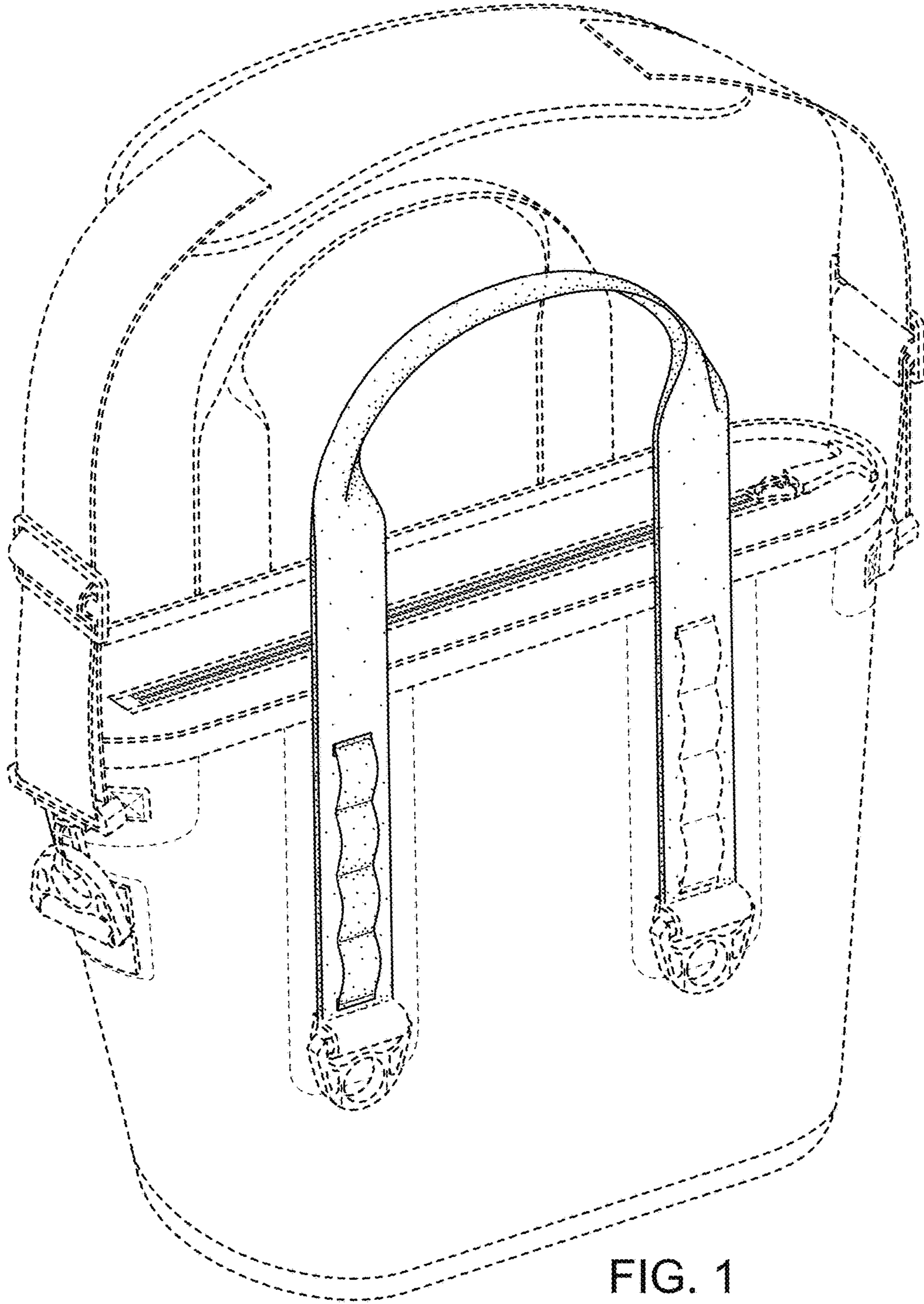


FIG. 1

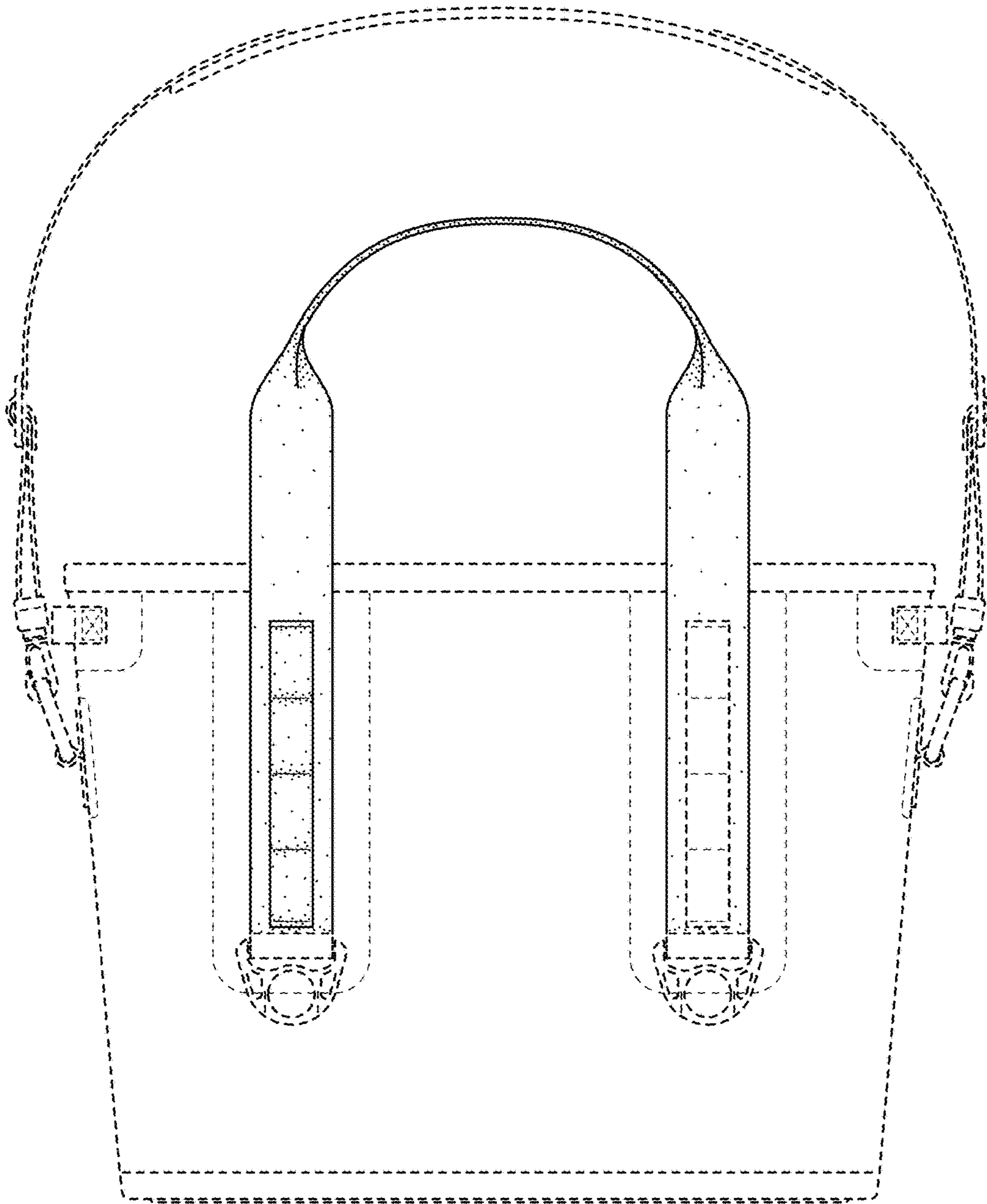


FIG. 2

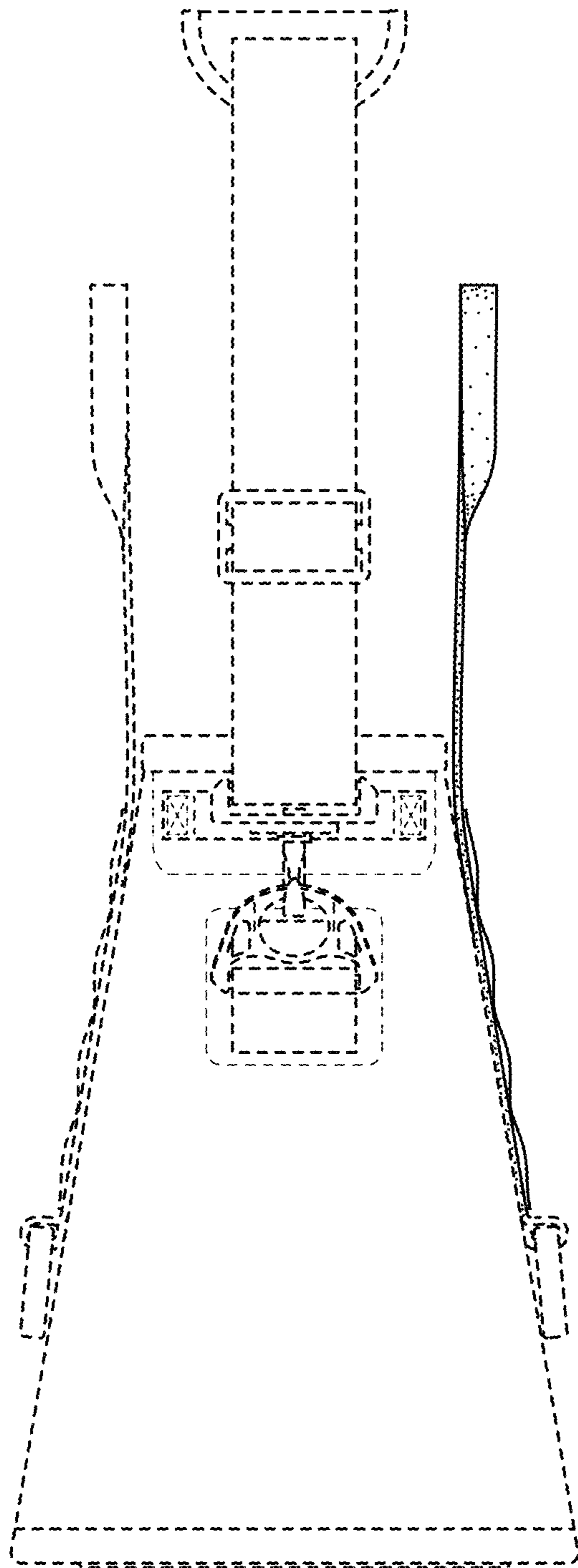


FIG. 3

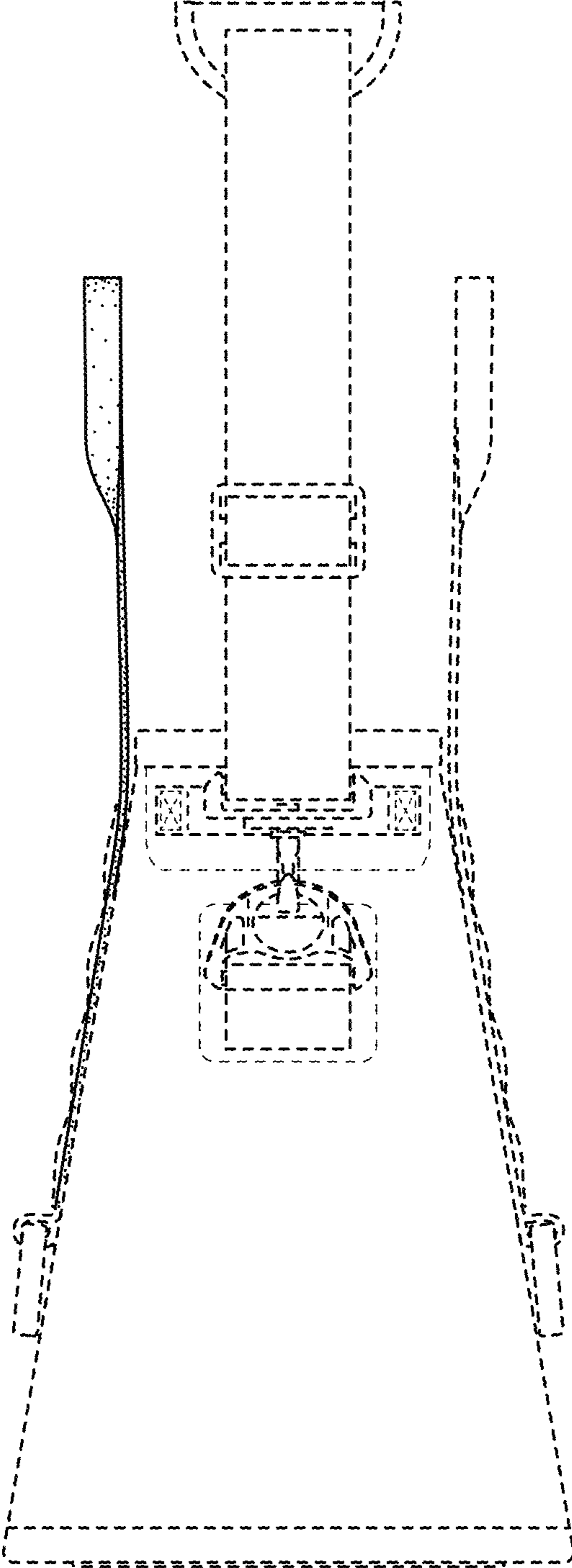


FIG. 4