



US00D786558S

(12) **United States Design Patent** (10) **Patent No.:** **US D786,558 S**  
**Duvigneau** (45) **Date of Patent:** **\*\* May 16, 2017**

(54) **LID FOR CONTAINERS**

D401,068 S \* 11/1998 Kolenda ..... D3/318  
D426,064 S \* 6/2000 Douglas ..... D3/326  
D744,240 S \* 12/2015 Reinhart ..... D3/302

(71) Applicant: **CURVER Luxembourg Sarl,**  
Nieder Korn (LU)

\* cited by examiner

(72) Inventor: **Nikolai Duvigneau, Zichron Yaacov**  
(IL)

*Primary Examiner* — Holly Baynham

(74) *Attorney, Agent, or Firm* — Dorsey & Whitney LLP

(73) Assignee: **CURVER LUXEMBOURG SARL,**  
Neidercorn (LU)

(\*\*) Term: **15 Years**

(21) Appl. No.: **29/533,026**

(22) Filed: **Jul. 13, 2015**

(30) **Foreign Application Priority Data**

Jan. 11, 2015 (IL) ..... 0056428

(51) **LOC (10) Cl.** ..... **03-01**

(52) **U.S. Cl.**  
USPC ..... **D3/318**

(58) **Field of Classification Search**  
USPC ..... D3/326  
CPC ..... A45C 5/00; A45C 13/00; A45C 13/05  
See application file for complete search history.

(56) **References Cited**

**U.S. PATENT DOCUMENTS**

D376,693 S \* 12/1996 Wolff ..... D3/302  
D388,957 S \* 1/1998 Wolff ..... D3/323

(57) **CLAIM**

The ornamental design for a lid for containers, as shown and described.

**DESCRIPTION**

FIG. 1 is a top perspective view of a new design for a lid for containers;  
FIG. 2 is a bottom perspective view of the new design for a lid for containers seen in FIG. 1;  
FIG. 3 is a front elevation view of the new design for a lid for containers seen in FIG. 1; the rear view being identical;  
FIG. 4 is a side view of the new design for a lid for containers seen in FIG. 1; other side being a mirror image; and  
FIG. 5 is a top plan view of the new design for a lid for containers seen in FIG. 1; and,  
FIG. 6 is a bottom plan view of the new design for a lid for containers seen in FIG. 1.

**1 Claim, 6 Drawing Sheets**







FIG. 1

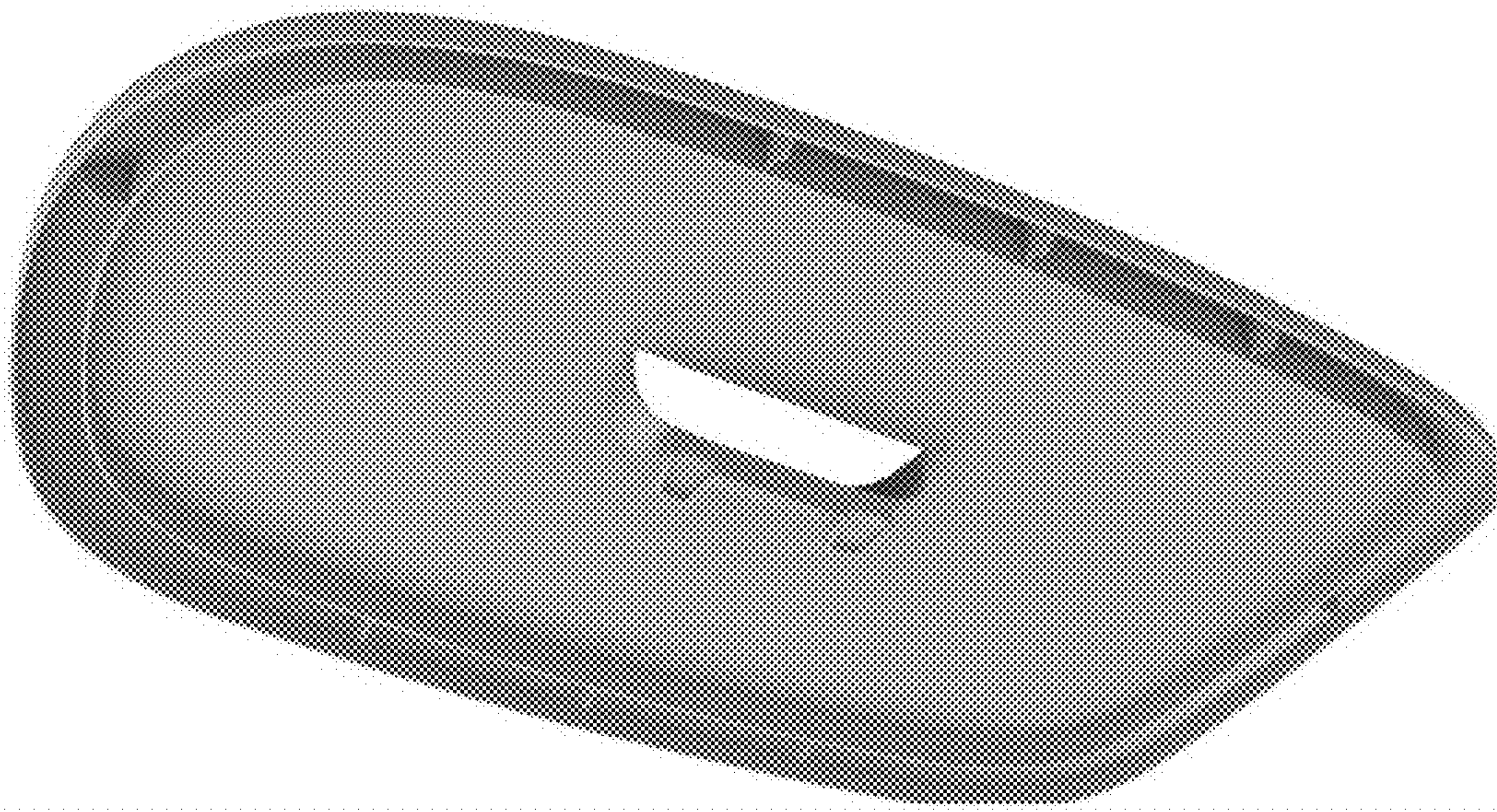


FIG. 2



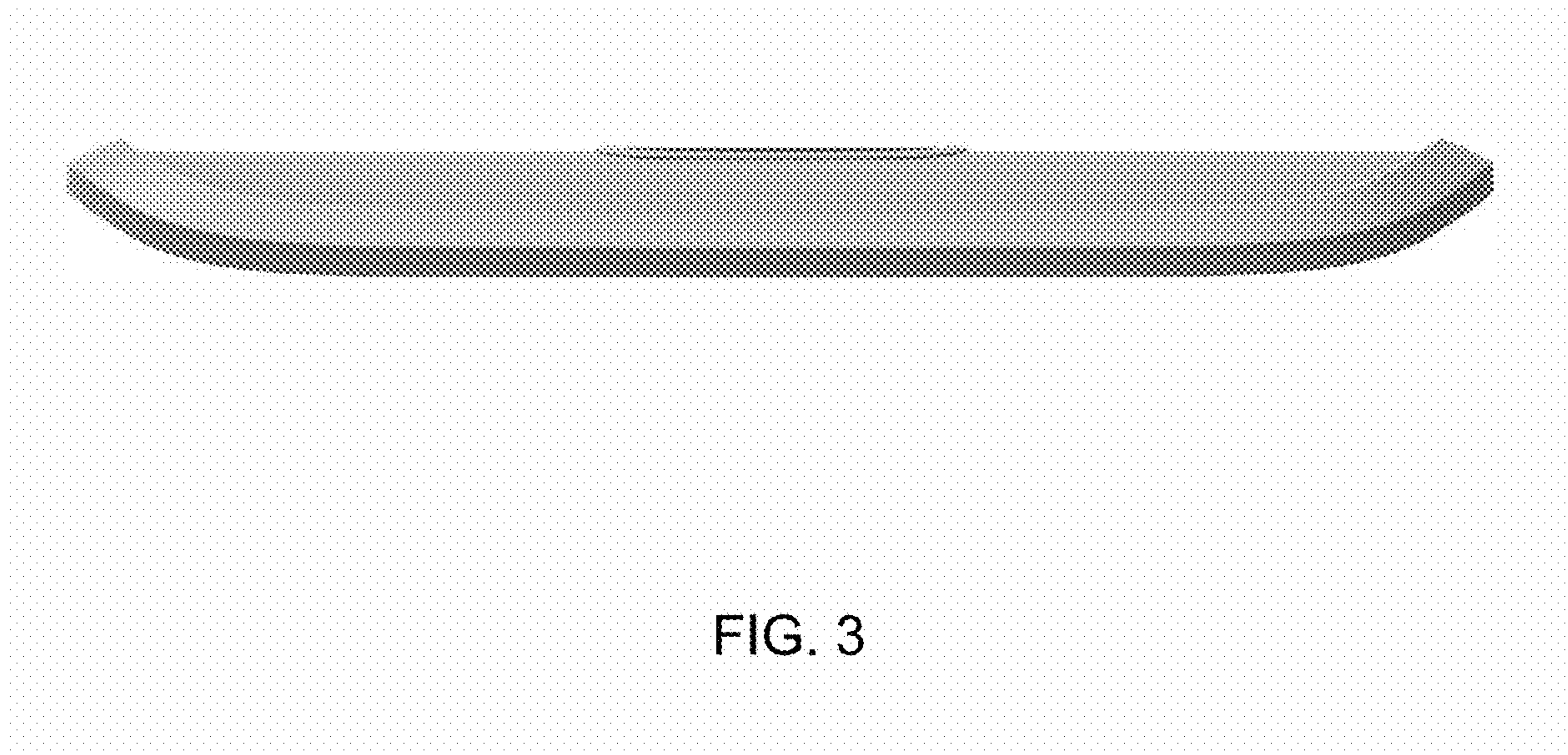


FIG. 3

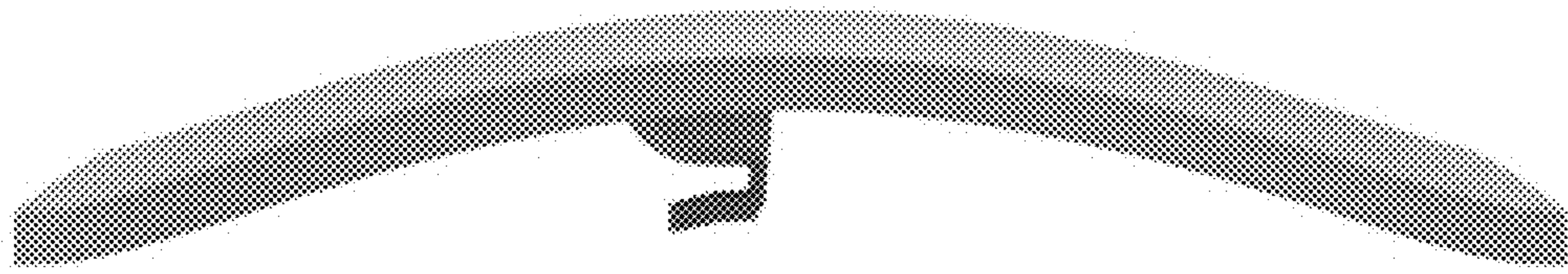


FIG. 4



FIG. 5



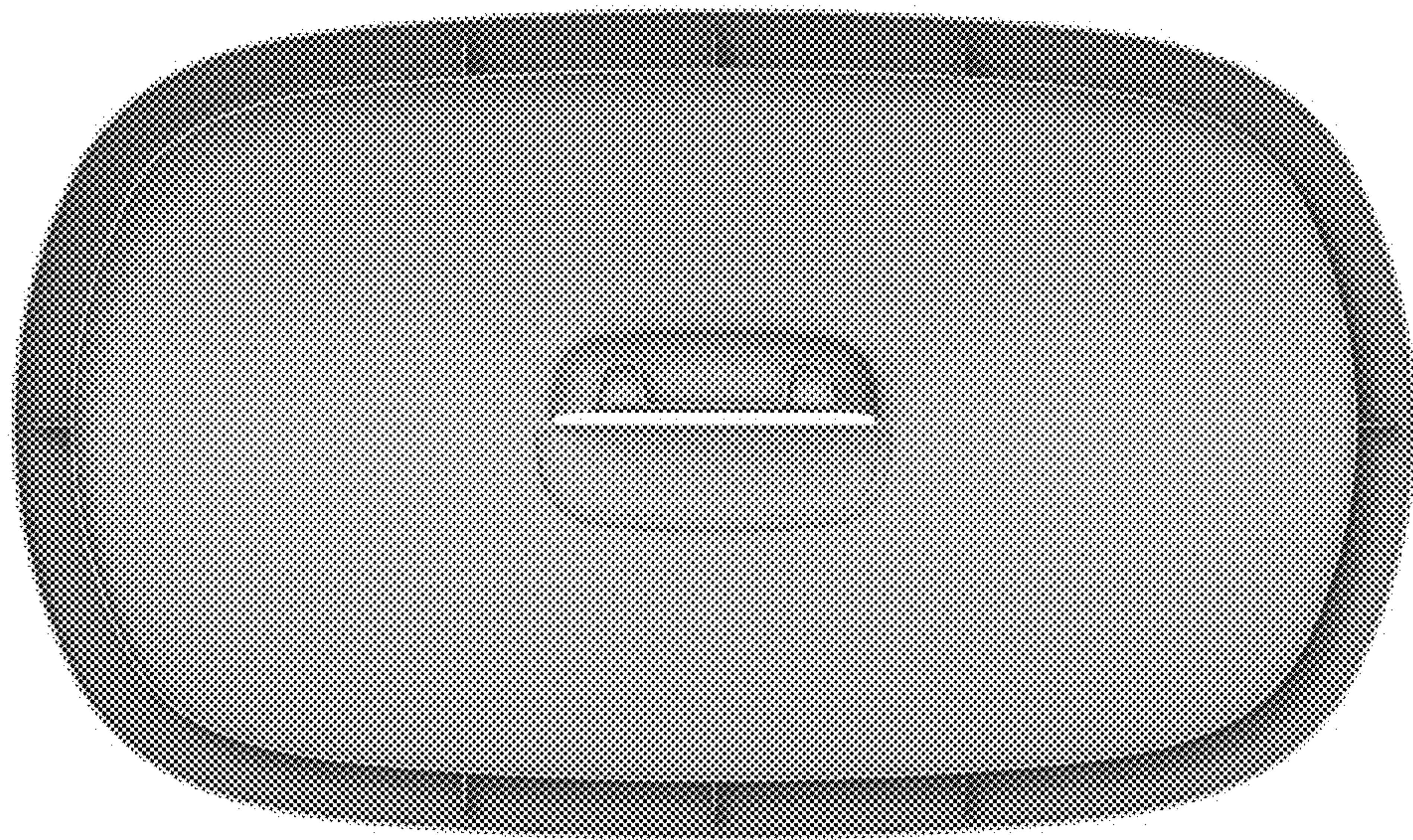


FIG. 6