



US00D78655S

(12) **United States Design Patent**
Brungraber

(10) **Patent No.:** **US D786,555 S**

(45) **Date of Patent:** **** May 16, 2017**

(54) **COMBINED STUFF SACK AND POUCH**

(71) Applicant: **Caesara Brungraber**, Bend, OR (US)

(72) Inventor: **Caesara Brungraber**, Bend, OR (US)

(73) Assignee: **GOBI GEAR**, Bend, OR (US)

(**) Term: **15 Years**

(21) Appl. No.: **29/527,571**

(22) Filed: **May 20, 2015**

(51) **LOC (10) Cl.** **03-01**

(52) **U.S. Cl.**
USPC **D3/284; D3/902; D3/303**

(58) **Field of Classification Search**

USPC D3/273, 274, 276, 278, 281, 283, 284,
D3/285, 286, 287, 288, 289, 290, 291,
D3/293, 294, 295, 299, 301, 300, 900,
D3/902, 259, 904

CPC A45C 7/0063; A45C 3/00; A45C 7/0077;
A45C 13/1046

See application file for complete search history.

(56) **References Cited**

U.S. PATENT DOCUMENTS

391,022	A	10/1888	Cliett	
887,239	A	5/1908	Ellis	
1,703,620	A	2/1929	Marsden	
2,080,252	A	5/1937	Cook et al.	
2,808,091	A	10/1957	Cumbler	
3,599,690	A	8/1971	Christie	
4,267,868	A	5/1981	Lowe	
4,661,989	A	4/1987	Risby	
5,050,998	A	9/1991	Wachtel	
5,125,547	A	6/1992	Russell	
5,797,491	A	8/1998	Fierek et al.	
D419,770	S *	2/2000	Mogil	D3/276
6,089,752	A	7/2000	Moore	

(Continued)

OTHER PUBLICATIONS

Back Country Edge, "Exped Waterproof Compression Bag",
Accessed May 11, 2016, Reviewed earliest Apr. 9, 2011. (<https://www.backcountryedge.com/backpacking-and-camping-gear/back-packs-bags/pack-accessories/stuff-sacks/exped-waterproof-compression-bag.html>).

www.backcountryedge.com/backpacking-and-camping-gear/back-packs-bags/pack-accessories/stuff-sacks/exped-waterproof-compression-bag.html.*

(Continued)

Primary Examiner — Jennifer Rivard

Assistant Examiner — April Rivas

(74) *Attorney, Agent, or Firm* — Leber IP Law

(57) **CLAIM**

The ornamental design for a combined stuff sack and pouch, as shown and described.

DESCRIPTION

FIG. 1 shows a perspective view of a new design for a combined stuff sack and integrated pouch, the pouch being shown tucked into an integral pocket;

FIG. 2 shows a perspective view of the combined stuff sack and pouch of FIG. 1, with the pouch shown as being un-tucked from and overlaying the pocket;

FIG. 3 shows a front view of the combined stuff sack and pouch of FIG. 1;

FIG. 4 shows a right-side view of the combined stuff sack and pouch of FIG. 1;

FIG. 5 shows a rear view of the combined stuff sack and pouch of FIG. 1;

FIG. 6 shows a left-side view of the combined stuff sack and pouch of FIG. 1;

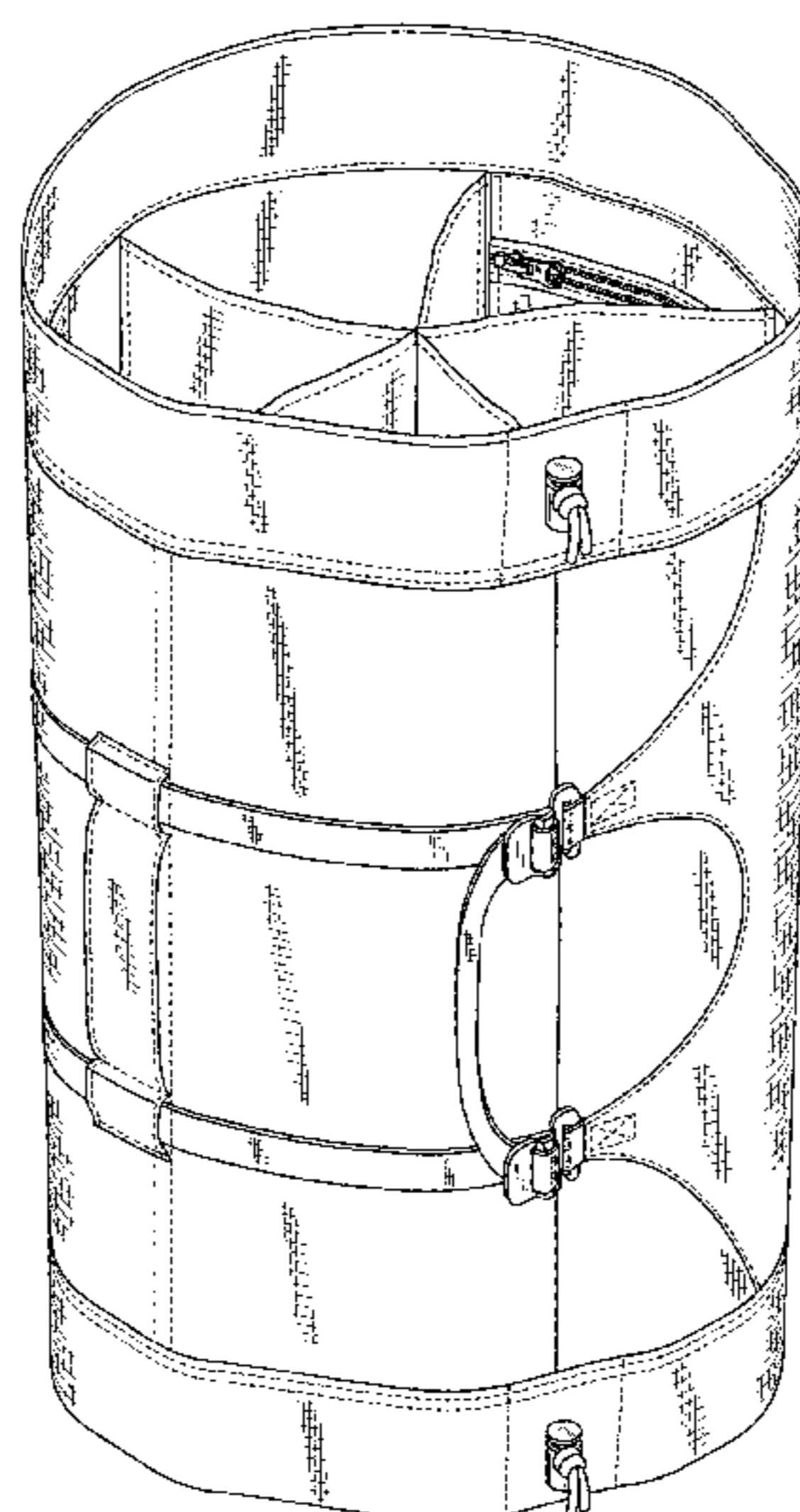
FIG. 7 shows a top view of the combined stuff sack and pouch of FIG. 1;

FIG. 8 shows a bottom view of the combined stuff sack and pouch of FIG. 1; and,

FIG. 9 shows a perspective view of the integrated pouch having the stuff sack of FIG. 1 stowed therein.

The broken lines illustrate stitching and form part of the claimed design. The fragmentally shown hatching across the bag body indicates material texture that is continuous over the surface of the stuff sack.

1 Claim, 9 Drawing Sheets



(56)

References Cited

U.S. PATENT DOCUMENTS

D429,448	S *	8/2000	Nottingham	D3/276
6,126,054	A	10/2000	Riemer	
D465,922	S *	11/2002	Davis	D3/287
7,083,331	B2	8/2006	Nykoluk	
D529,286	S *	10/2006	Limber	D3/269
7,163,337	B2	1/2007	Penson	
D537,711	S *	3/2007	Limber	D3/301
D551,447	S *	9/2007	Ogawa	D3/257
D571,102	S *	6/2008	Gostt	D3/244
8,079,502	B2	12/2011	Montgomery	
D670,079	S *	11/2012	Menon	D3/290
D699,031	S *	2/2014	Clavette	D3/216
D740,565	S *	10/2015	Ludeman	D3/290
2005/0249439	A1	11/2005	Penson	

OTHER PUBLICATIONS

Amazon, "Gobi Gear Hoboroll V2.0—The Essential, Multi Compartment, Stuff Sack for Life's Adventures", Accessed on May 11,

2016. Earliest review Dec. 10, 2012. (http://www.amazon.com/Gobi-Gear-Hoboroll-V2-0-Compartment/dp/B008KOZ62A/ref=cm_cr_ar_p_d_product_top?ie=UTF8).*

Youtube, "Gobi Gear Hoboroll Review", Posted Apr. 4, 2013. Accessed May 11, 2016. (<https://www.youtube.com/watch?v=gliGiApAn5A>).*

Tom Bihn Forums, Topic "Laundry Stuff Sacks are here", Accessed May 11, 2016, Posted Jul. 26, 2014. (<http://forums.tombihn.com/photos-videos-and-reviews/8063-laundry-stuff-sacks-here-2.html>).*

The Ultimate Hang Blog, "Make your own double-sided stuff sack", Posted Dec. 15, 2012, Accessed May 11, 2016. (<http://theultimatehang.com/2012/12/make-your-own-double-sided-stuff-sack/>).*

Brungraber, Caesara, "Partitioned Stuff Sack", U.S. Appl. No. 61/969,047, filed Mar. 21, 2014, 7 pages.

Brungraber, Caesara, "Luggage Organizer", U.S. Appl. No. 61/516,988, filed Apr. 12, 2011, 12 pages.

* cited by examiner

FIG. 1

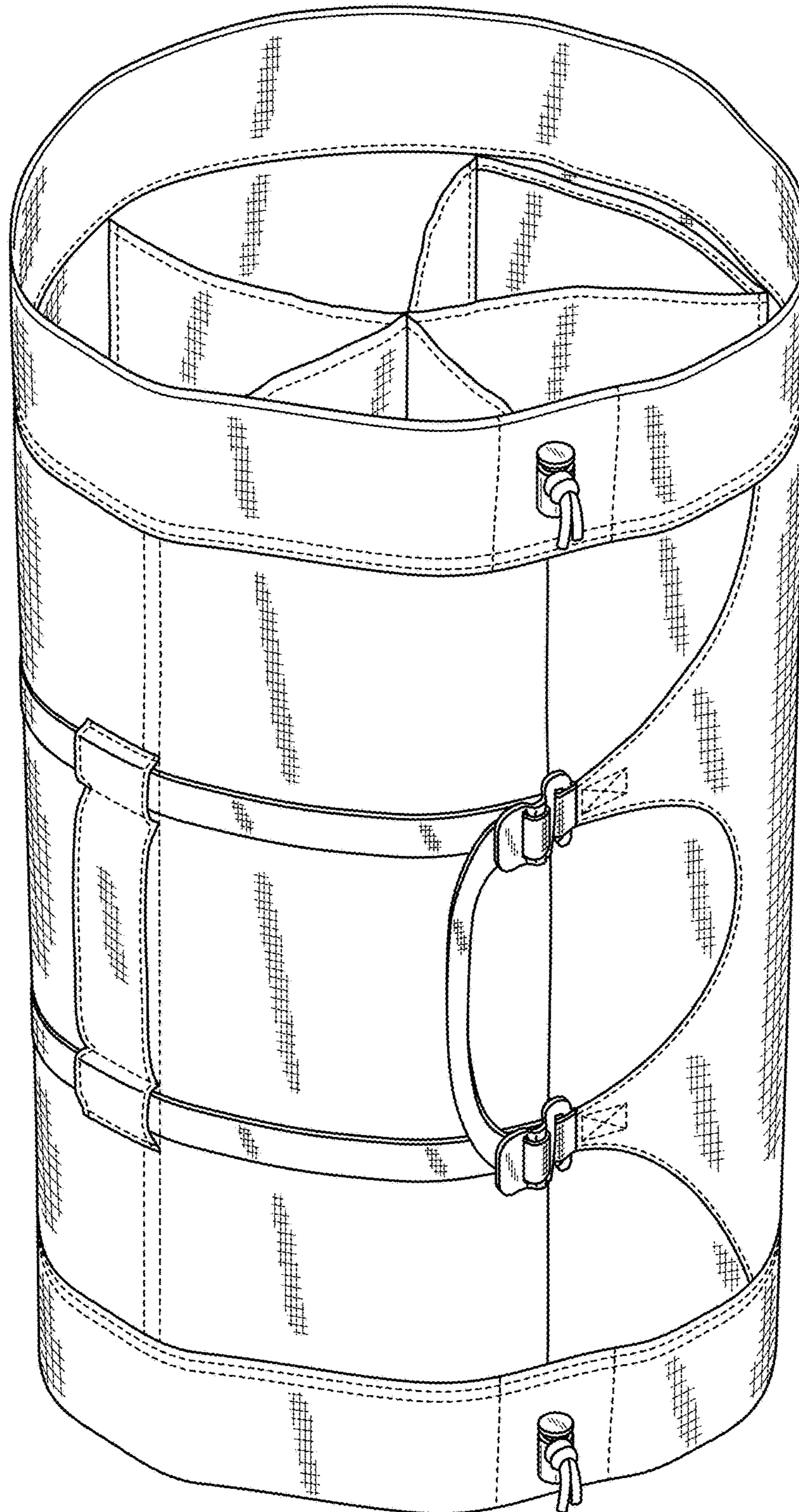


FIG. 2

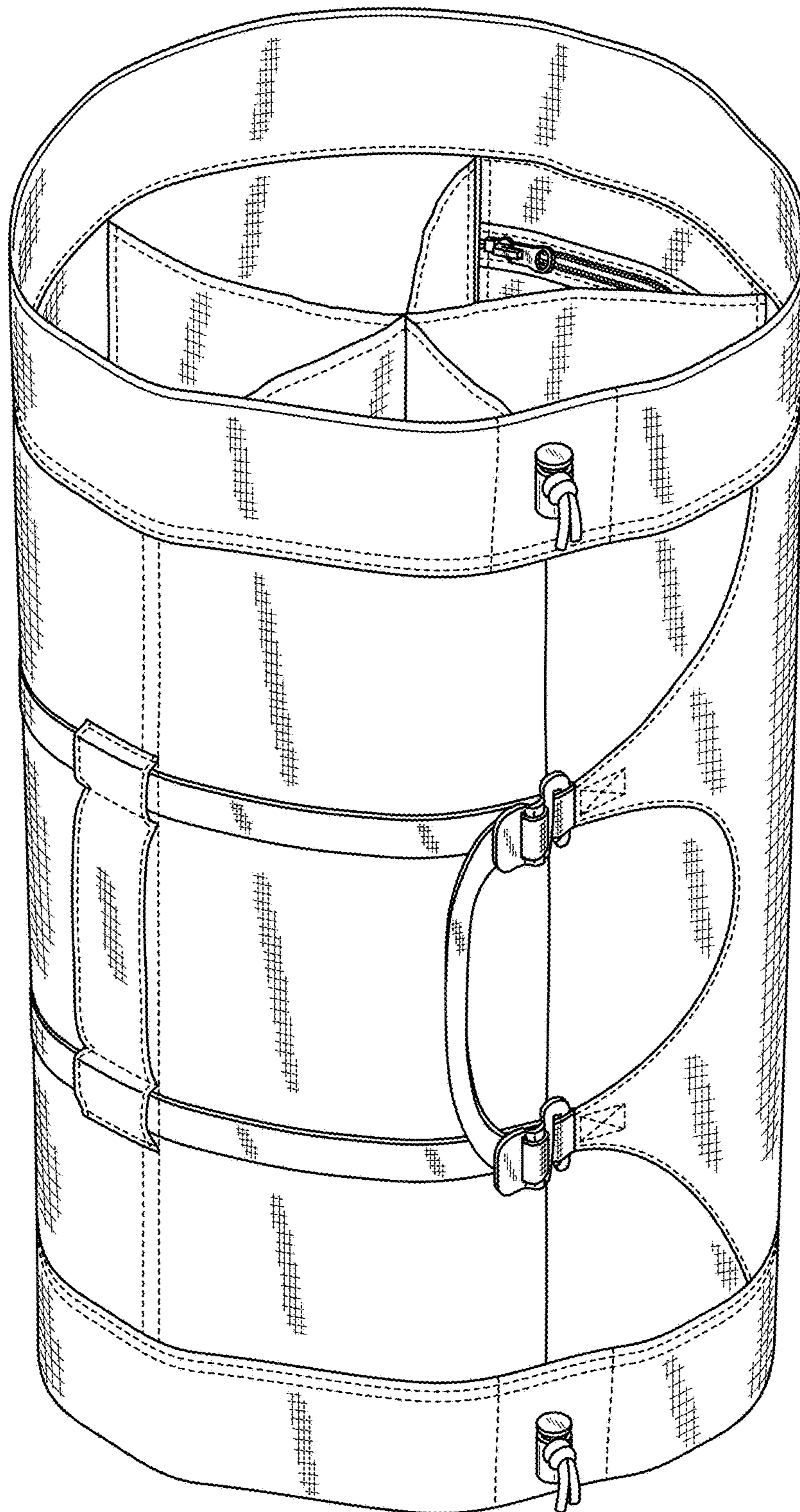


FIG. 3

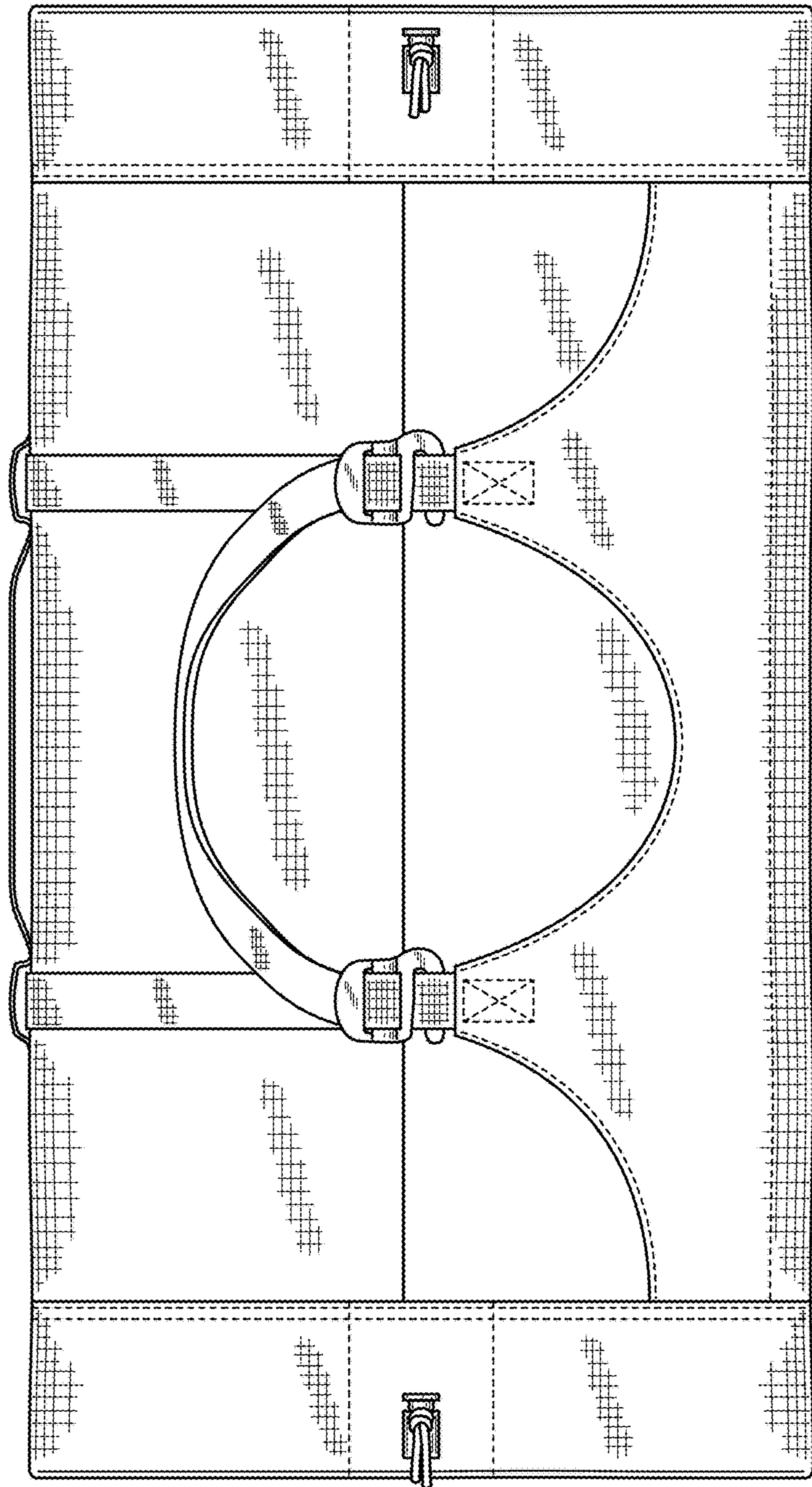


FIG. 4

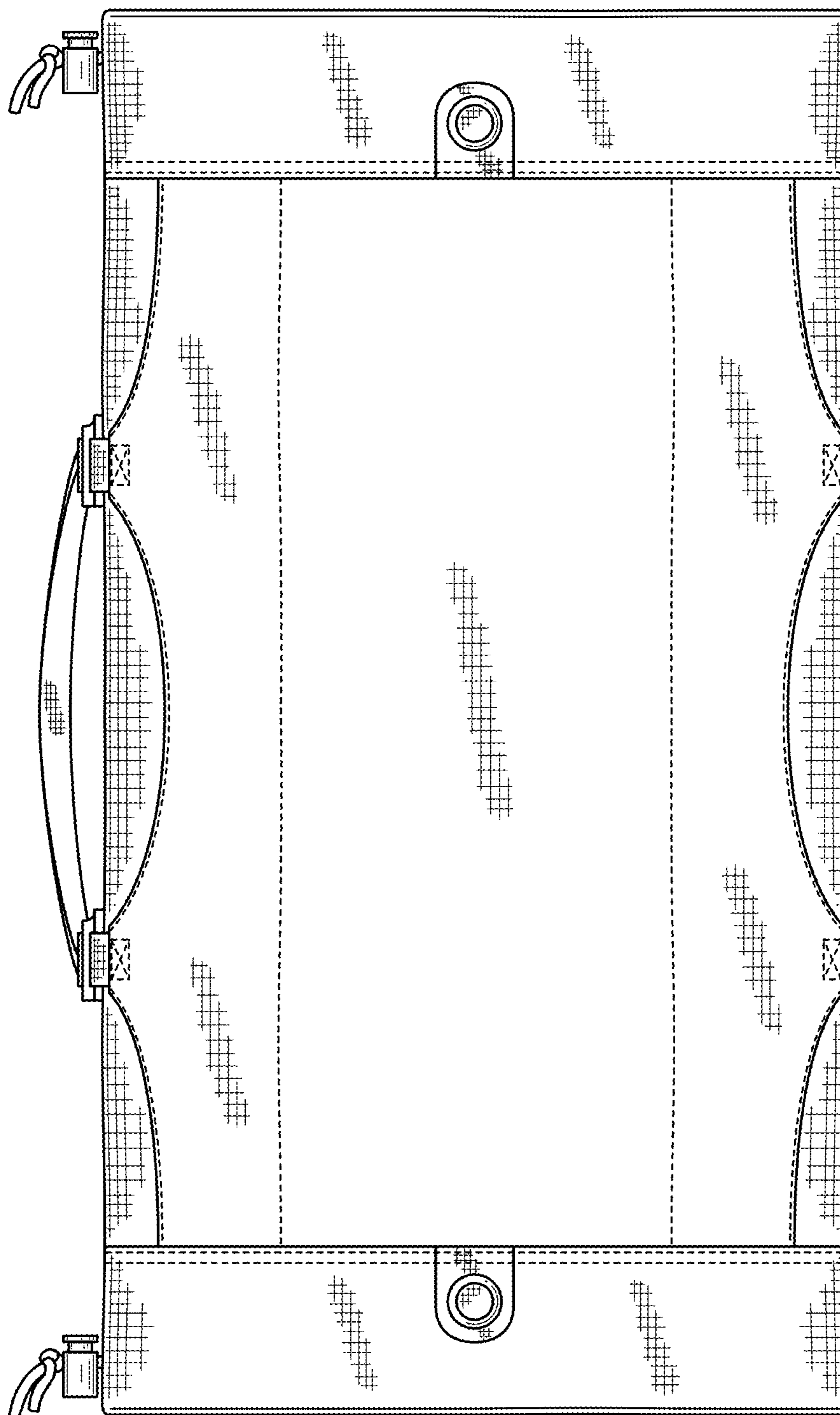


FIG. 5

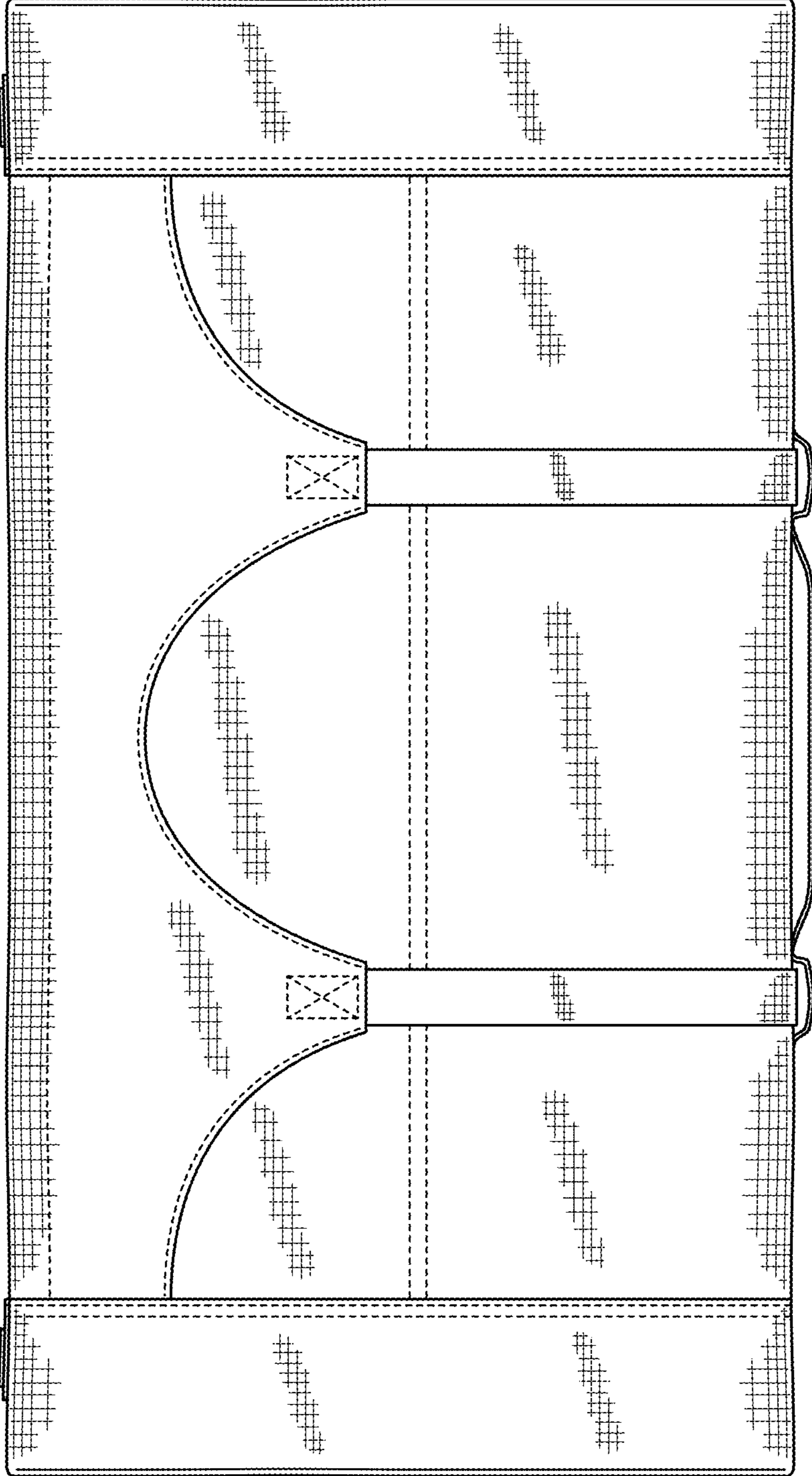


FIG. 6

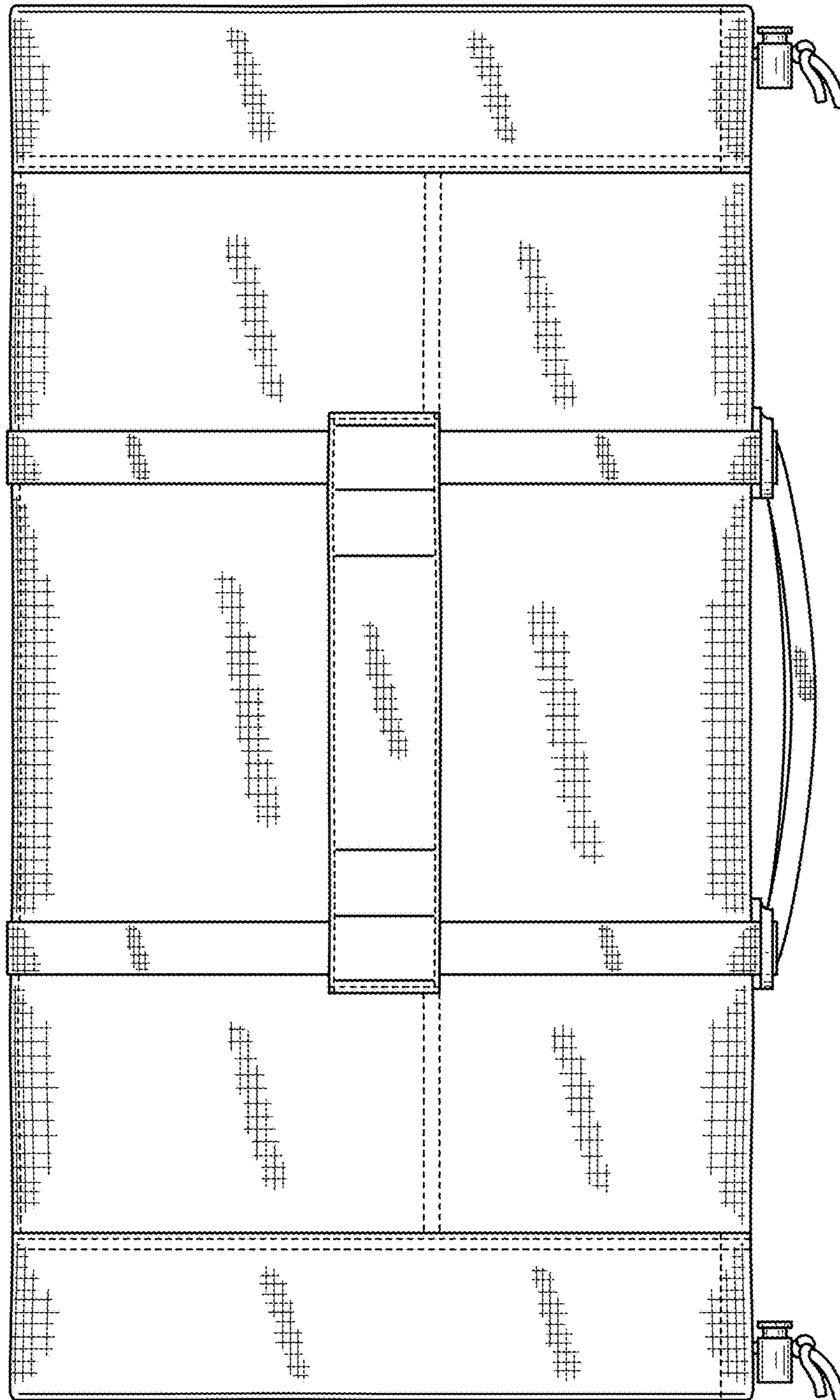


FIG. 7

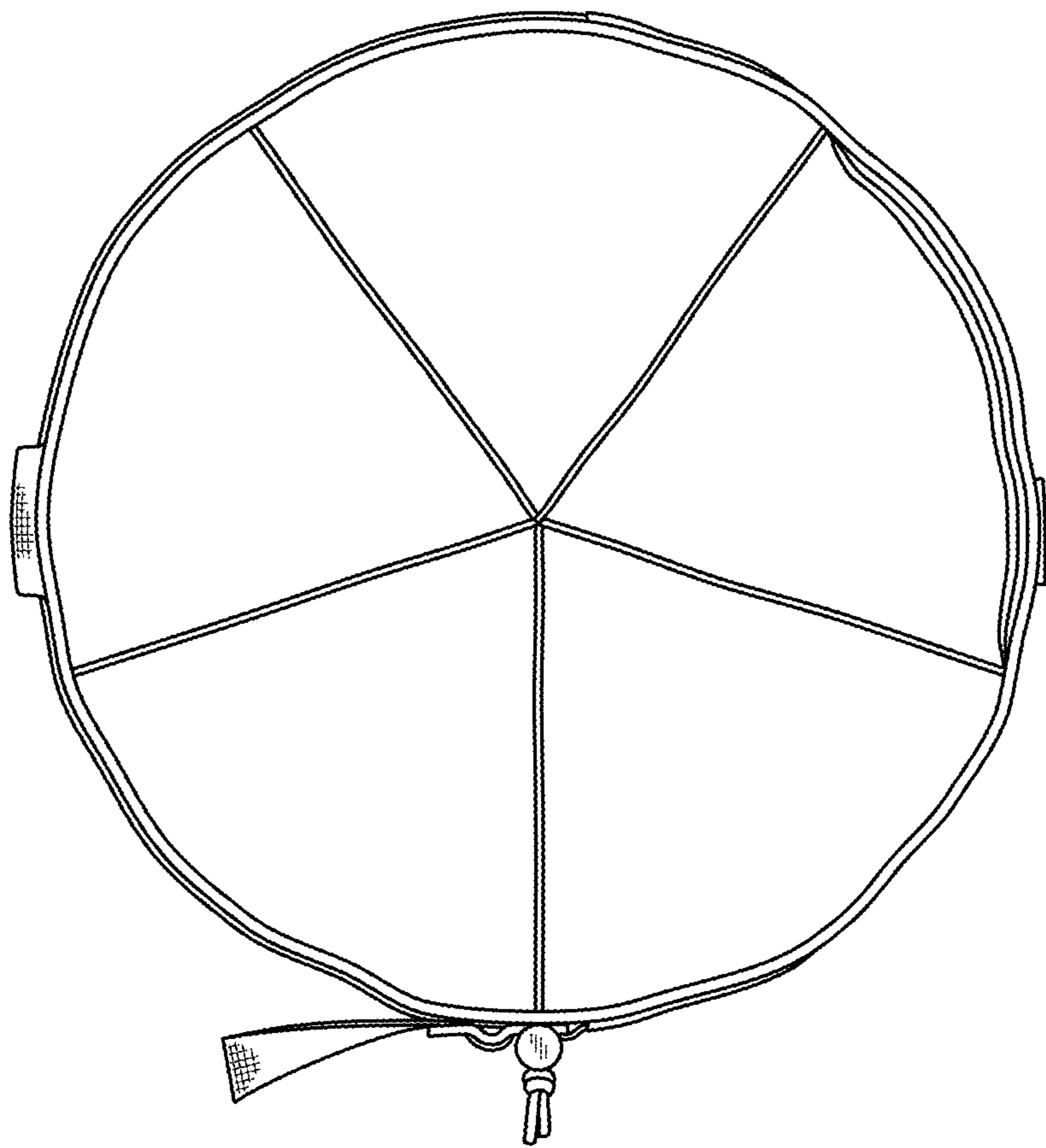


FIG. 8

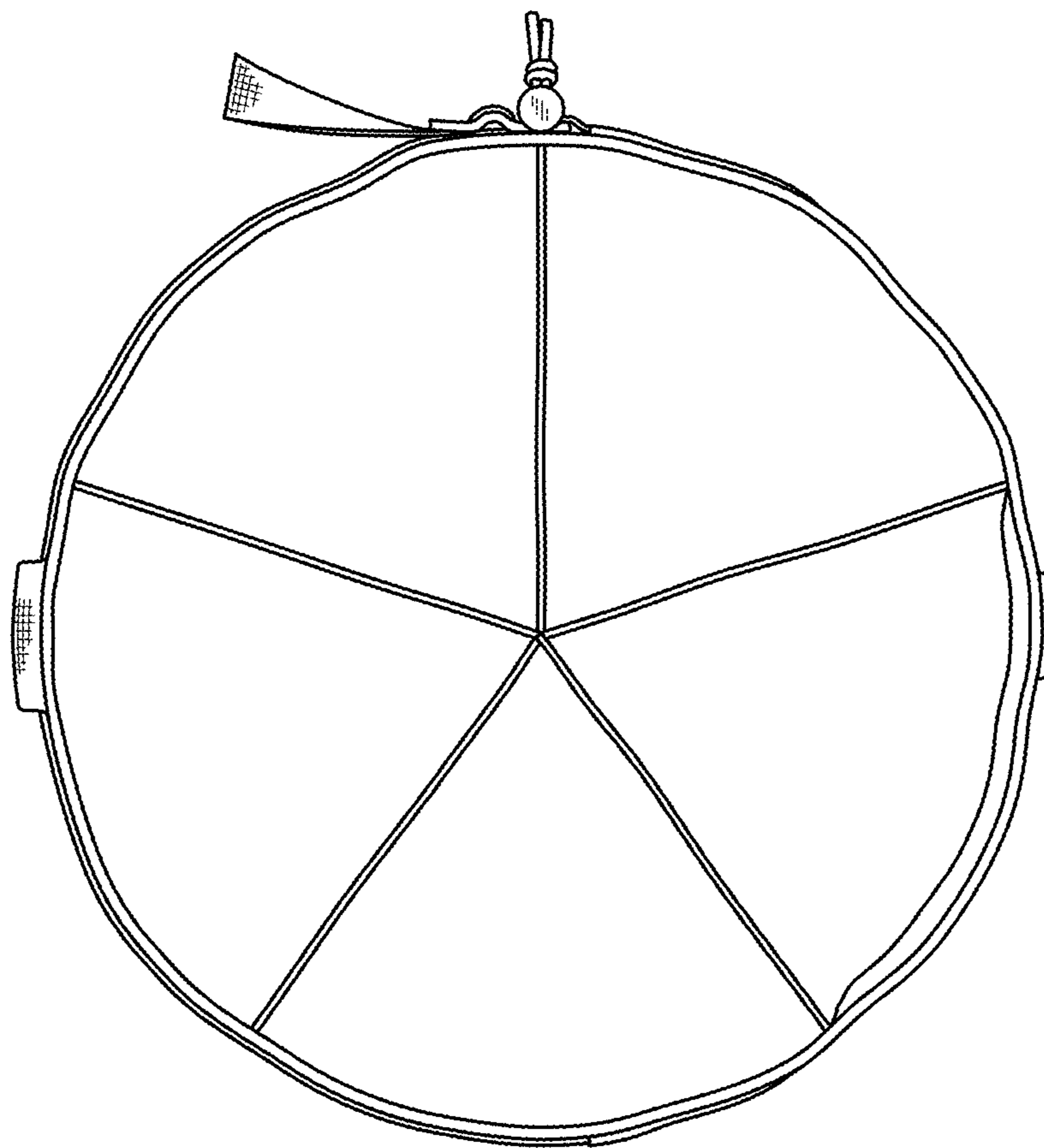


FIG. 9

