



US00D786539S

(12) **United States Design Patent**
Vixama

(10) **Patent No.:** **US D786,539 S**

(45) **Date of Patent:** **** May 16, 2017**

(54) **SANDAL**

(71) Applicant: **Gregory Seth Vixama**, San Bruno, CA (US)

(72) Inventor: **Gregory Seth Vixama**, San Bruno, CA (US)

(73) Assignee: **Gregory Seth Vixama**, Cupertino, CA (US)

(**) Term: **15 Years**

(21) Appl. No.: **29/572,256**

(22) Filed: **Jul. 26, 2016**

(51) **LOC (10) Cl.** **02-04**

(52) **U.S. Cl.**
USPC **D2/916**

(58) **Field of Classification Search**
USPC D2/896, 897, 916-918, 925, 940, 946
CPC A43B 23/00; A43B 3/10; A43B 23/25;
A43B 23/24; A43B 3/28
See application file for complete search history.

(56) **References Cited**

U.S. PATENT DOCUMENTS

D121,708 S * 7/1940 Werman D2/961
D189,716 S * 2/1961 Kurata 36/11.5
D189,717 S * 2/1961 Kurata 36/11.5

D190,468 S * 6/1961 Kurata D2/917
D298,582 S 11/1988 Caire
D351,719 S * 10/1994 Piotrowicz D2/961
D556,990 S * 12/2007 Cabados D2/961
D587,886 S * 3/2009 Neate D2/916
D587,887 S * 3/2009 Neate D2/916
D587,888 S 3/2009 Neate
D607,631 S 1/2010 Carbajal

* cited by examiner

Primary Examiner — Holly Baynham
Assistant Examiner — Rashida C Walshon

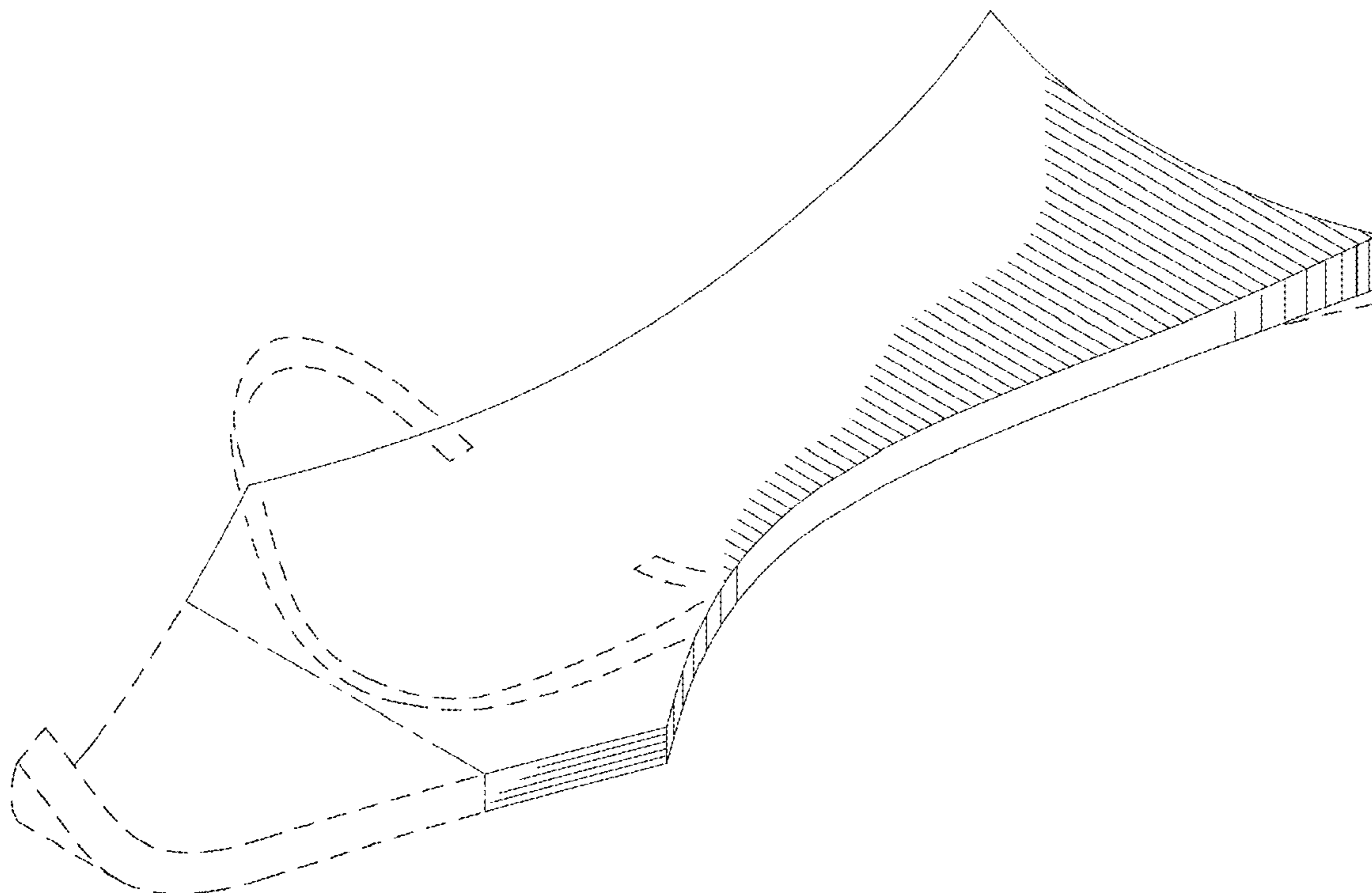
(57) **CLAIM**

I claim the ornamental design for a sandal, as shown and described.

DESCRIPTION

FIG. 1 is a top front perspective view of a sandal, showing our new design;
FIG. 2 is a top plan view thereof;
FIG. 3 is bottom plan view thereof;
FIG. 4 is a right side elevation view thereof;
FIG. 5 is a left side elevation view thereof;
FIG. 6 is a front elevation view thereof;
FIG. 7 is a rear elevation view thereof; and,
FIG. 8 is a top front perspective view of the sandal, the same view as FIG. 1, the only difference is the disclaimed tip. The dash-dot-dash broken lines represent the bounds of the claimed design, while all other broken lines shown in the drawings depict portions of the sandal that form no part of the claimed design.

1 Claim, 4 Drawing Sheets



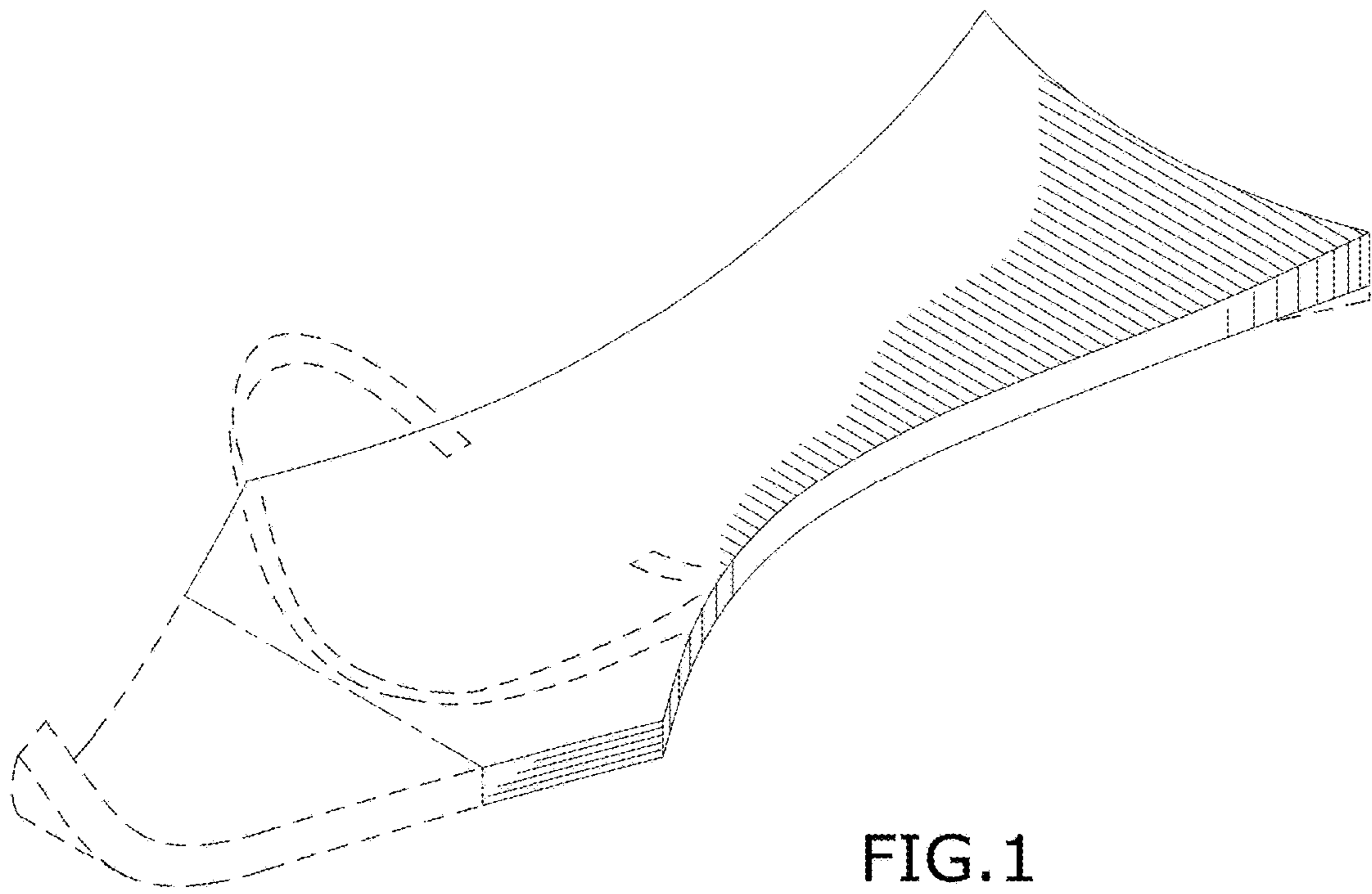


FIG. 1

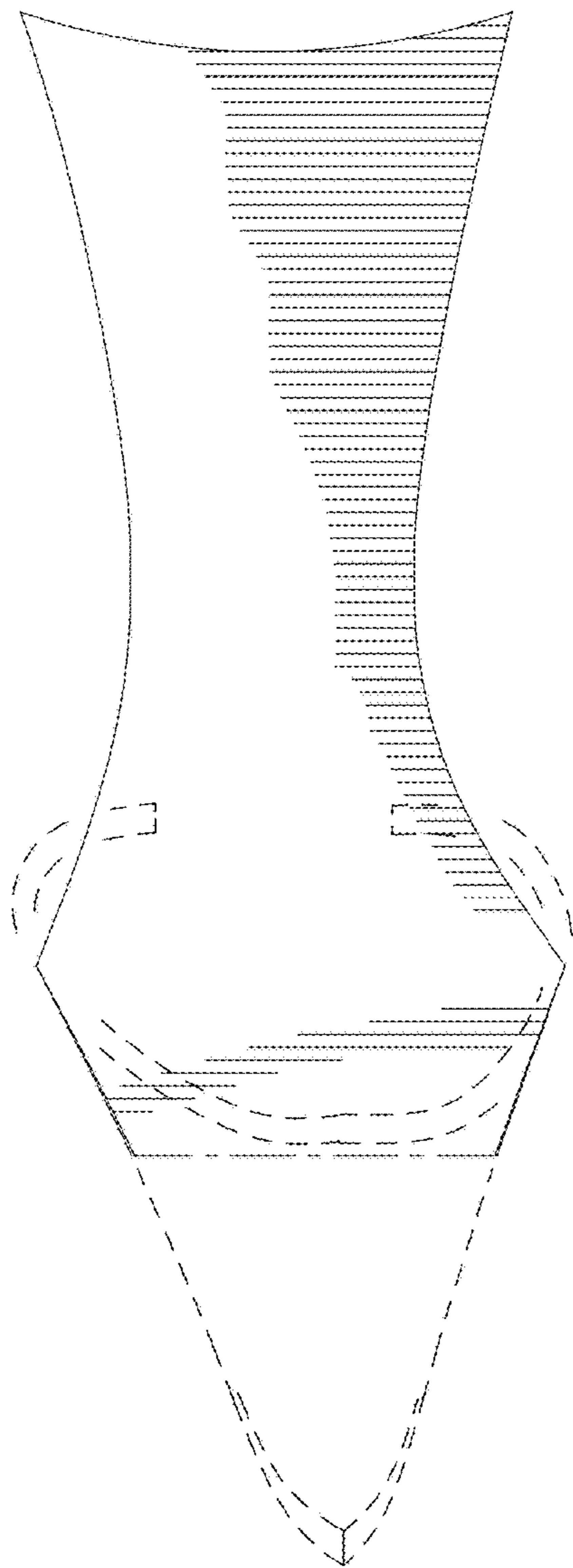


FIG. 2

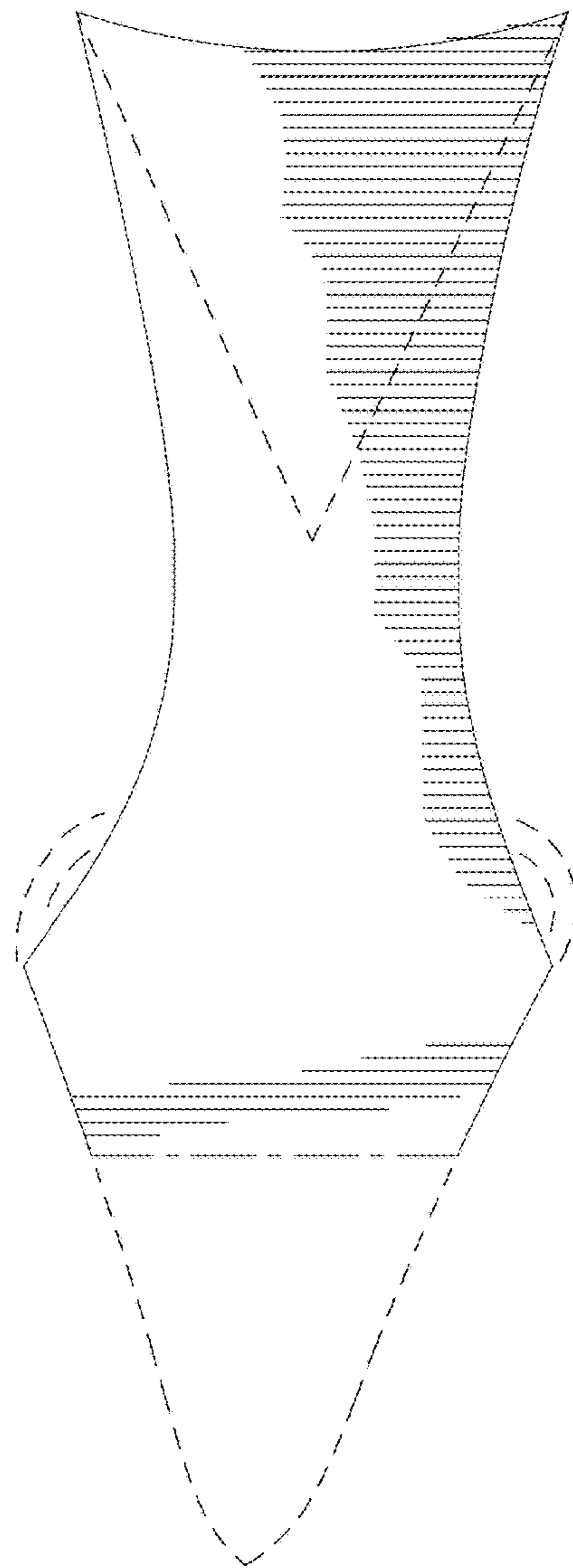


FIG. 3

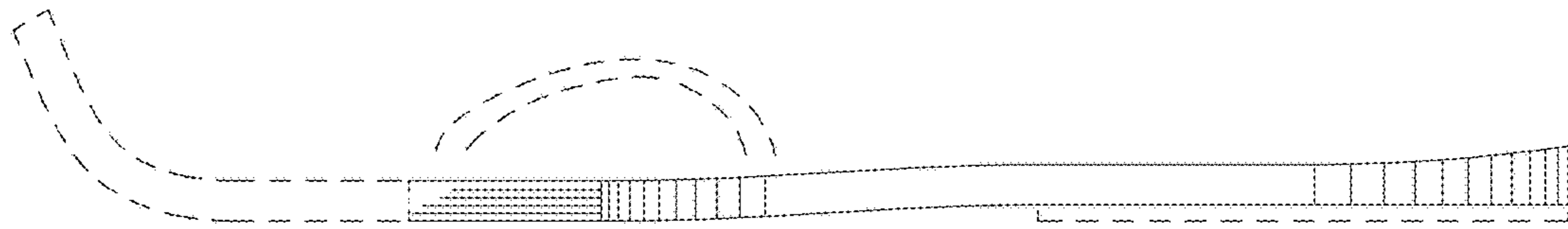


FIG. 4

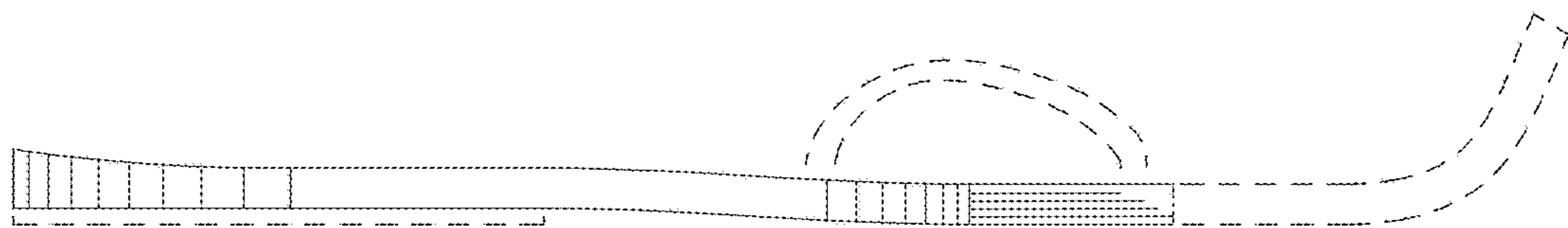


FIG. 5

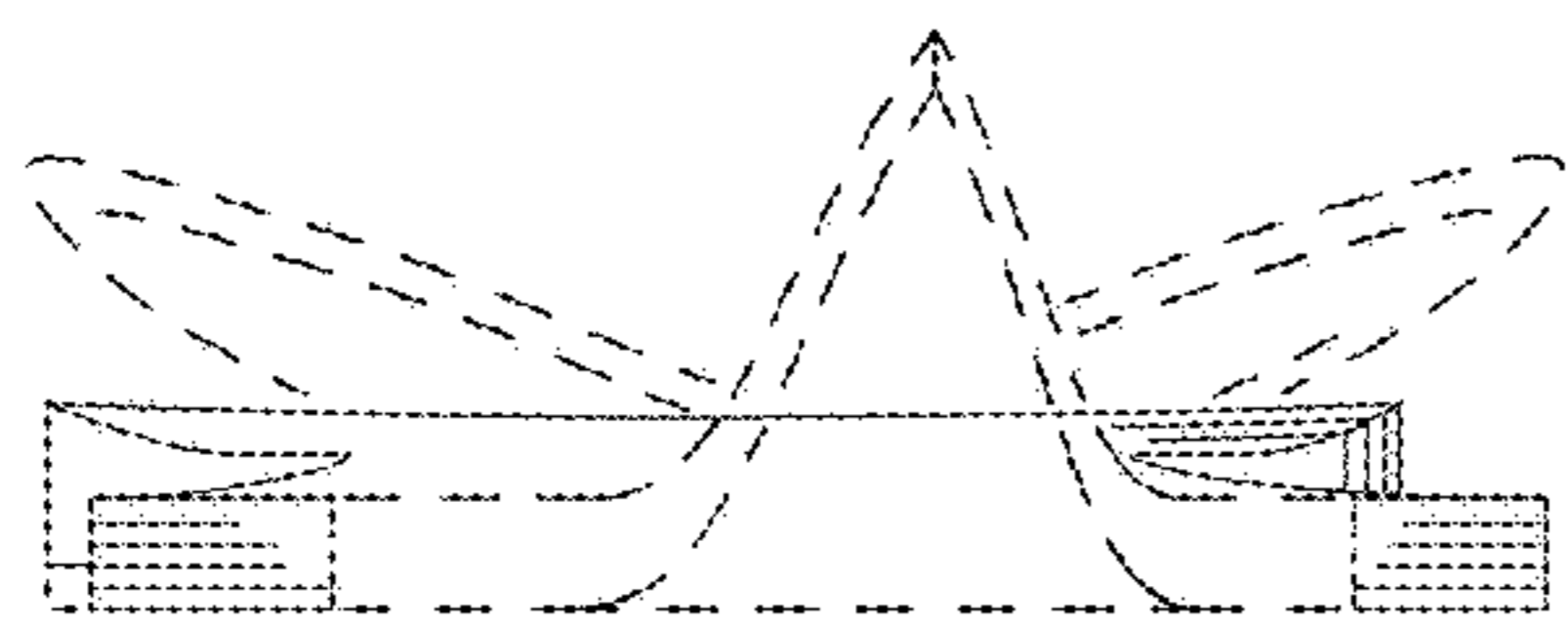


FIG. 6

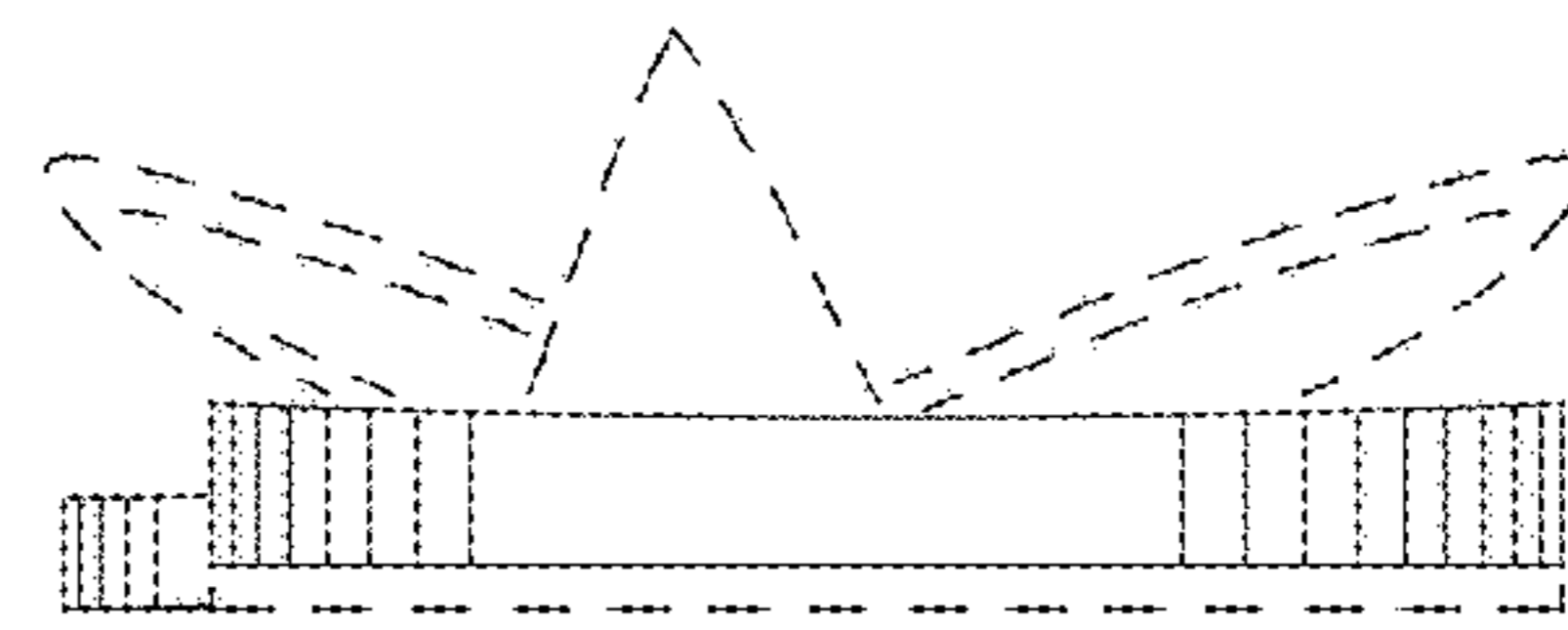


FIG. 7

