



US00D786538S

(12) **United States Design Patent** (10) **Patent No.:** **US D786,538 S**
Morenstein et al. (45) **Date of Patent:** **** May 16, 2017**

(54) **GARMENT POCKET**

CPC A41D 27/20; A41D 29/00
See application file for complete search history.

(71) Applicant: **MAD Apparel, Inc.**, Redwood City, CA (US)

(56) **References Cited**

(72) Inventors: **Josh Morenstein**, Redwood City, CA (US); **James Berg**, El Cerrito, CA (US); **Matthew Malone**, Redwood City, CA (US); **Christian Scott Ross**, Redwood City, CA (US); **Drew Putterman**, Redwood City, CA (US); **Chris Glaister**, Cupertino, CA (US); **Christopher HibmaCronan**, Redwood City, CA (US)

U.S. PATENT DOCUMENTS

155,600 A * 10/1874 Jayalath et al. A41D 27/20
2/249
953,527 A * 3/1910 Jayalath et al. A41D 27/20
2/249
1,491,711 A * 4/1924 Levine A41D 27/20
2/250

(Continued)

(73) Assignee: **Mad Apparel, Inc.**, Redwood City, CA (US)

OTHER PUBLICATIONS

At U.S. Open Ralph Lauren to Introduce Wearable Technology, posted at nytimes.com, posting on Aug. 22, 2014, [online], [site visited Jan. 11, 2016]. Available from Internet, <URL: http://www.nytimes.com/2014/08/24/fashion/at-us-open-ralph-lauren-to-introduce-wearable-technology.html?_r=0>.*

(**) Term: **15 Years**

Primary Examiner — Cathron Brooks

Assistant Examiner — Aula Soroush

(21) Appl. No.: **29/568,784**

(74) *Attorney, Agent, or Firm* — Fenwick & West LLP

(22) Filed: **Jun. 21, 2016**

(57) **CLAIM**

The ornamental design for a garment pocket, as shown and described.

Related U.S. Application Data

DESCRIPTION

(63) Continuation of application No. 29/516,610, filed on Feb. 4, 2015.

(51) **LOC (10) Cl.** **02-02**

(52) **U.S. Cl.**

USPC **D2/857**

(58) **Field of Classification Search**

USPC 17/715–717, 724, 739, 749, 750, 759, 17/760, 769, 771, 780, 786, 791, 812, 17/710, 828, 836, 839–841, 857, 863, 17/864; 2/79, 227, 228, 238, 247; D9/695–699; D7/611, 900

FIG. 1 is a top, right, and front isometric view of a design of a garment pocket;
FIG. 2 is a bottom, left, and back isometric view thereof;
FIG. 3 is a bottom, left, and back isometric view thereof;
FIG. 4 is a top, right, and back isometric view thereof;
FIG. 5 is a top plan view thereof;
FIG. 6 is a front elevation view thereof;
FIG. 7 is a right side elevation view thereof;
FIG. 8 is a back elevation view thereof;
FIG. 9 is a left side elevation view thereof;
FIG. 10 is a bottom plan view thereof; and,

(Continued)

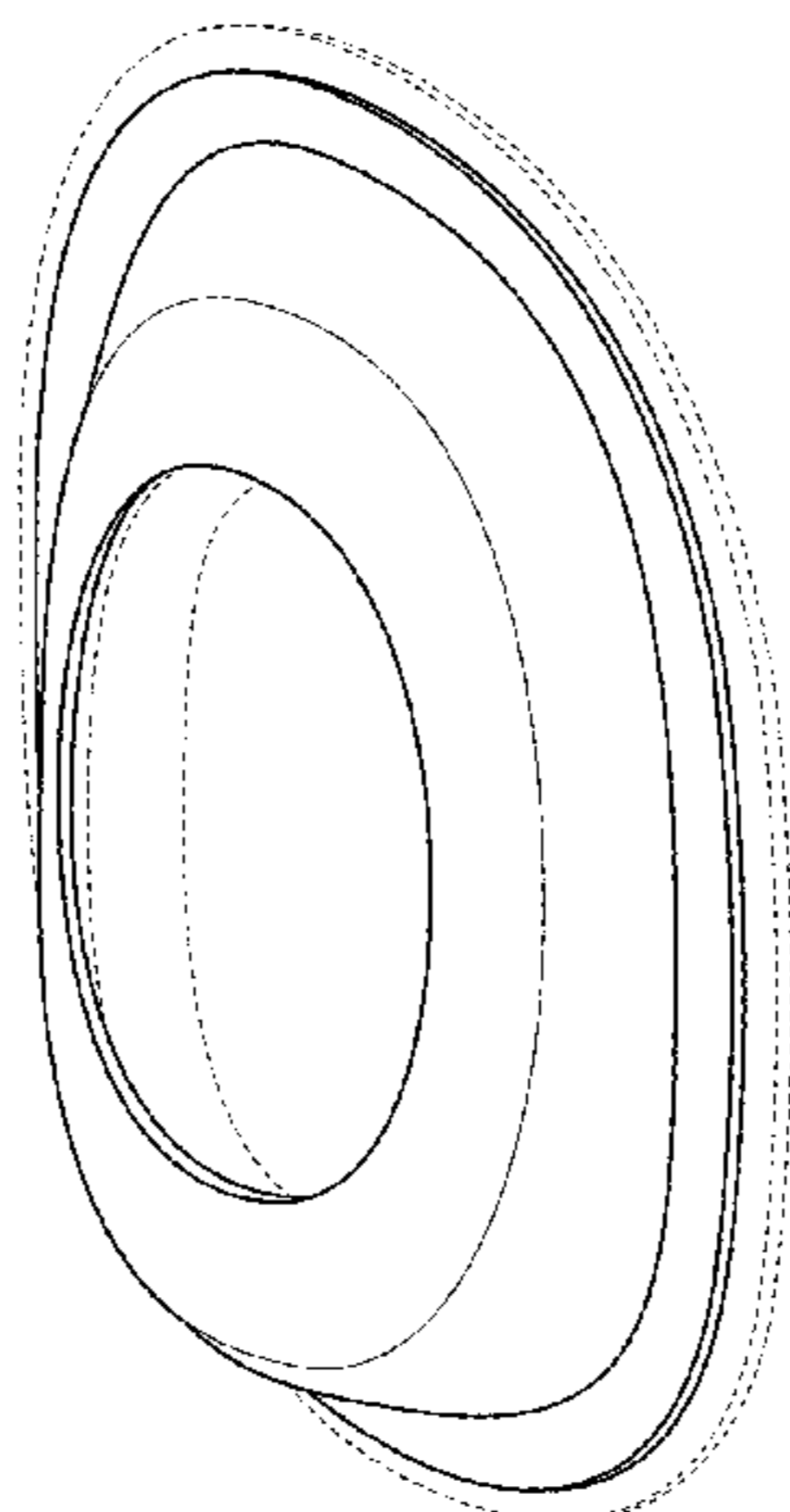


FIG. 11 is a right, front, isometric view thereof, showing the garment pocket of FIG. 1 in an alternate environment of use. The broken lines in the drawings illustrate environmental structure that forms no part of the claimed design.

1 Claim, 5 Drawing Sheets

(56)

References Cited

U.S. PATENT DOCUMENTS

1,780,874	A *	11/1930	Friedmann	A41D 27/20 2/247
4,301,549	A *	11/1981	Ingram	A63B 47/001 2/250
5,090,058	A *	2/1992	Gerber	A41D 27/10 2/97
D337,177	S *	7/1993	Tiramani	D28/76
D463,095	S *	9/2002	Vazquez	D2/857
D465,640	S *	11/2002	Vazquez	D2/857
D471,714	S *	3/2003	Vazquez	D2/857
D568,113	S *	5/2008	Wasserman	D7/586
D591,930	S *	5/2009	Lorenzi	D2/857
D613,999	S *	4/2010	Sierra	D7/587
D626,791	S *	11/2010	Sierra	D7/587
D632,056	S *	2/2011	Pijut	D2/717
D699,127	S *	2/2014	Garrity	D9/707
D701,964	S *	4/2014	Yoneta	D24/187
D722,275	S *	2/2015	Lee	D9/703
D722,501	S *	2/2015	Landrum	D9/449
D739,261	S *	9/2015	Sutherland	D9/695
D747,077	S *	1/2016	Jayalath	D2/857
D759,897	S *	6/2016	Eberlein	D28/82
D772,701	S *	11/2016	Dziaba	D9/428
D774,254	S *	12/2016	Hess	D28/83

* cited by examiner

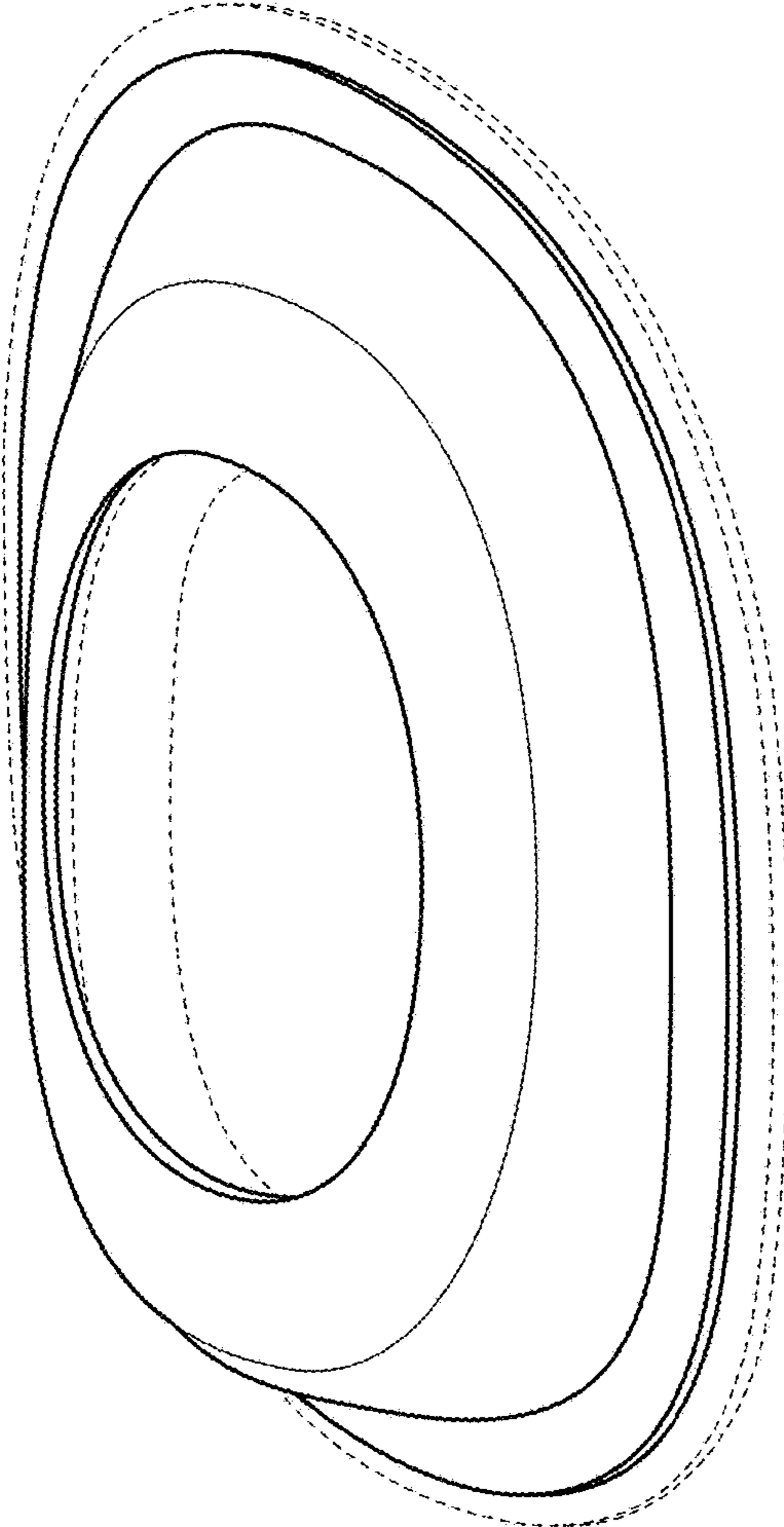


FIG. 1

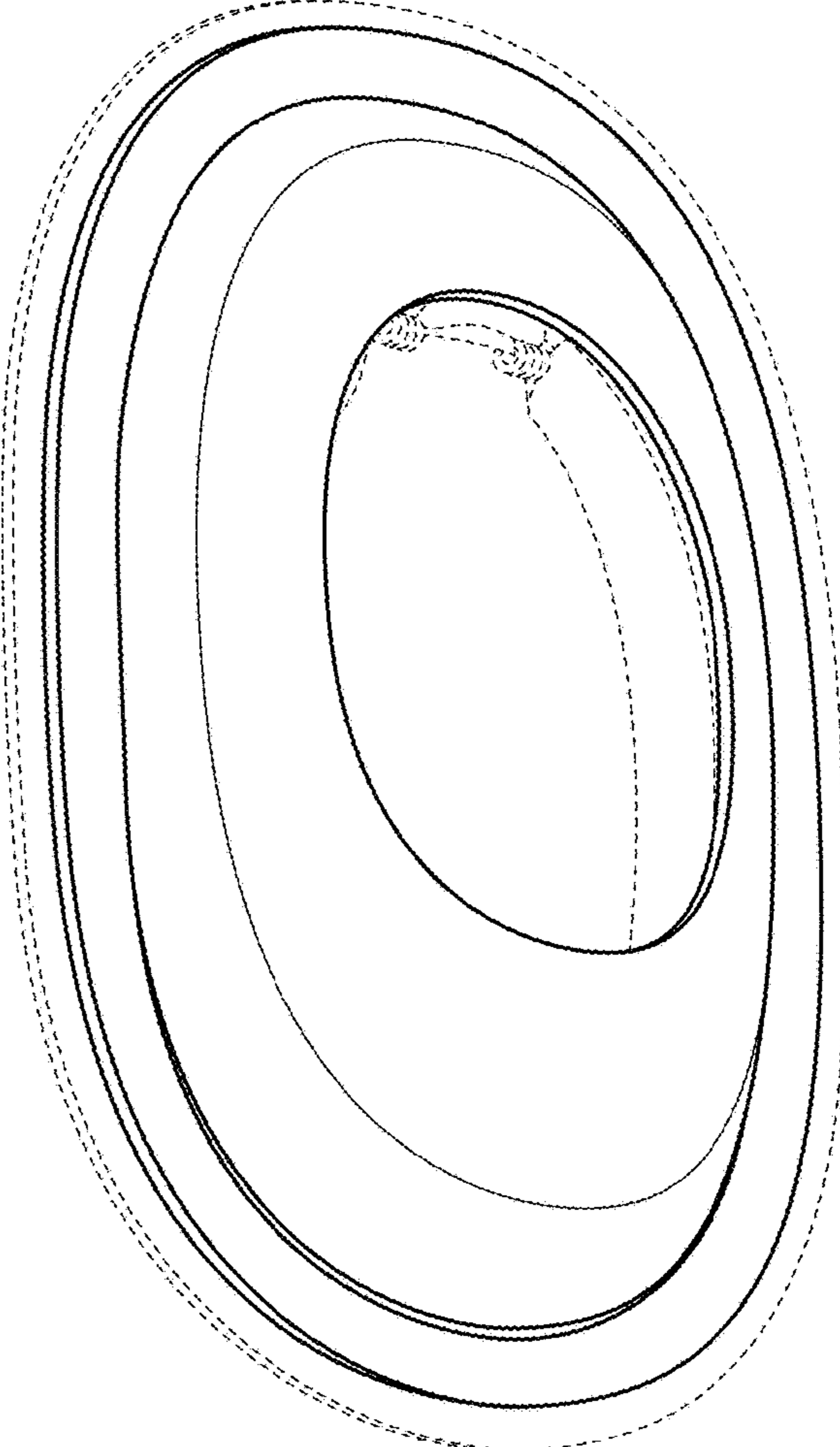


FIG. 2

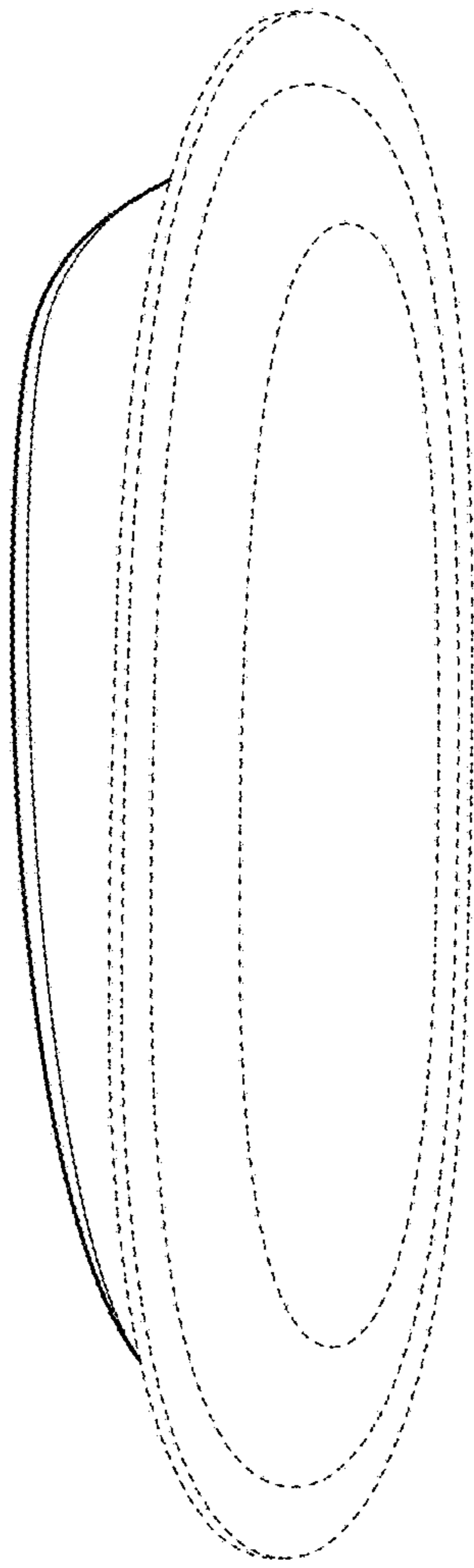


FIG. 3

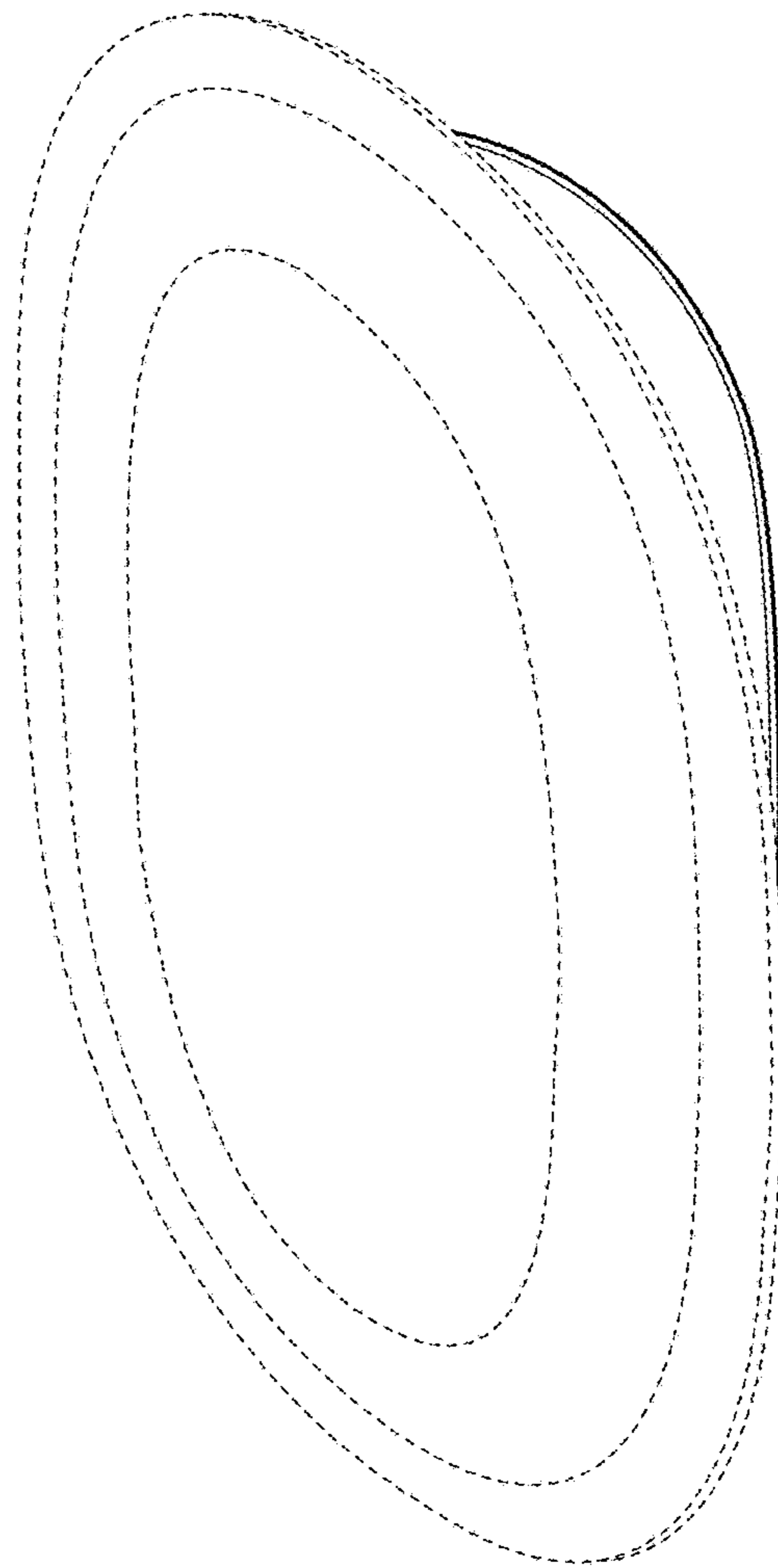


FIG. 4

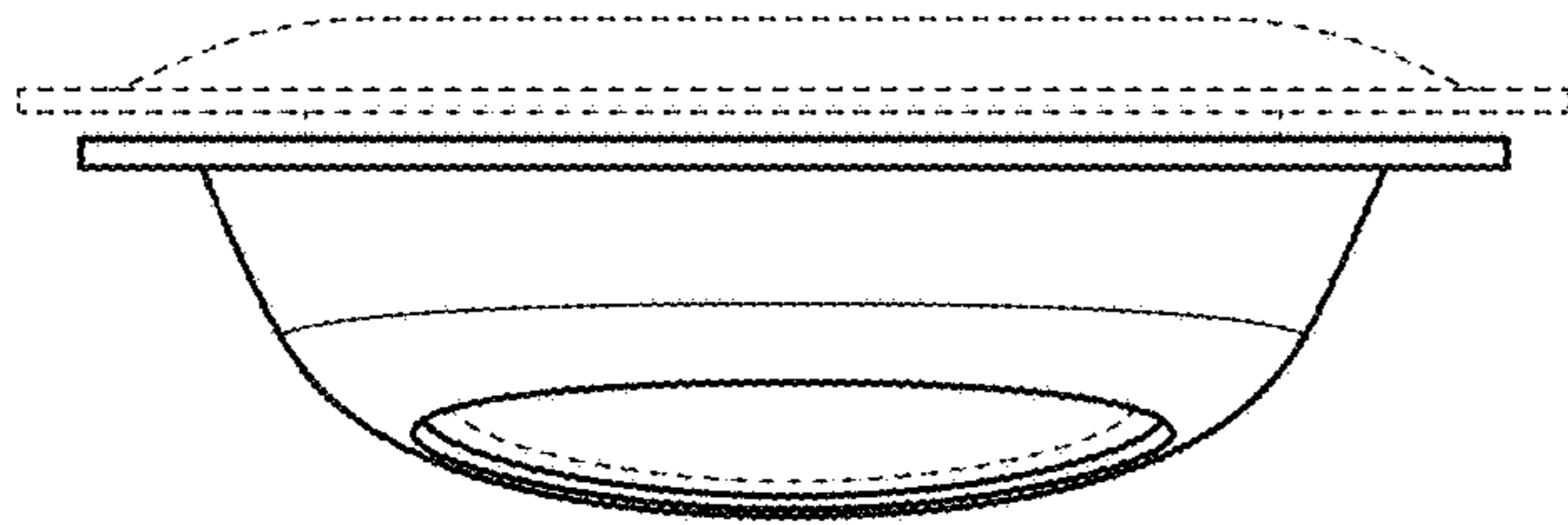


FIG. 5

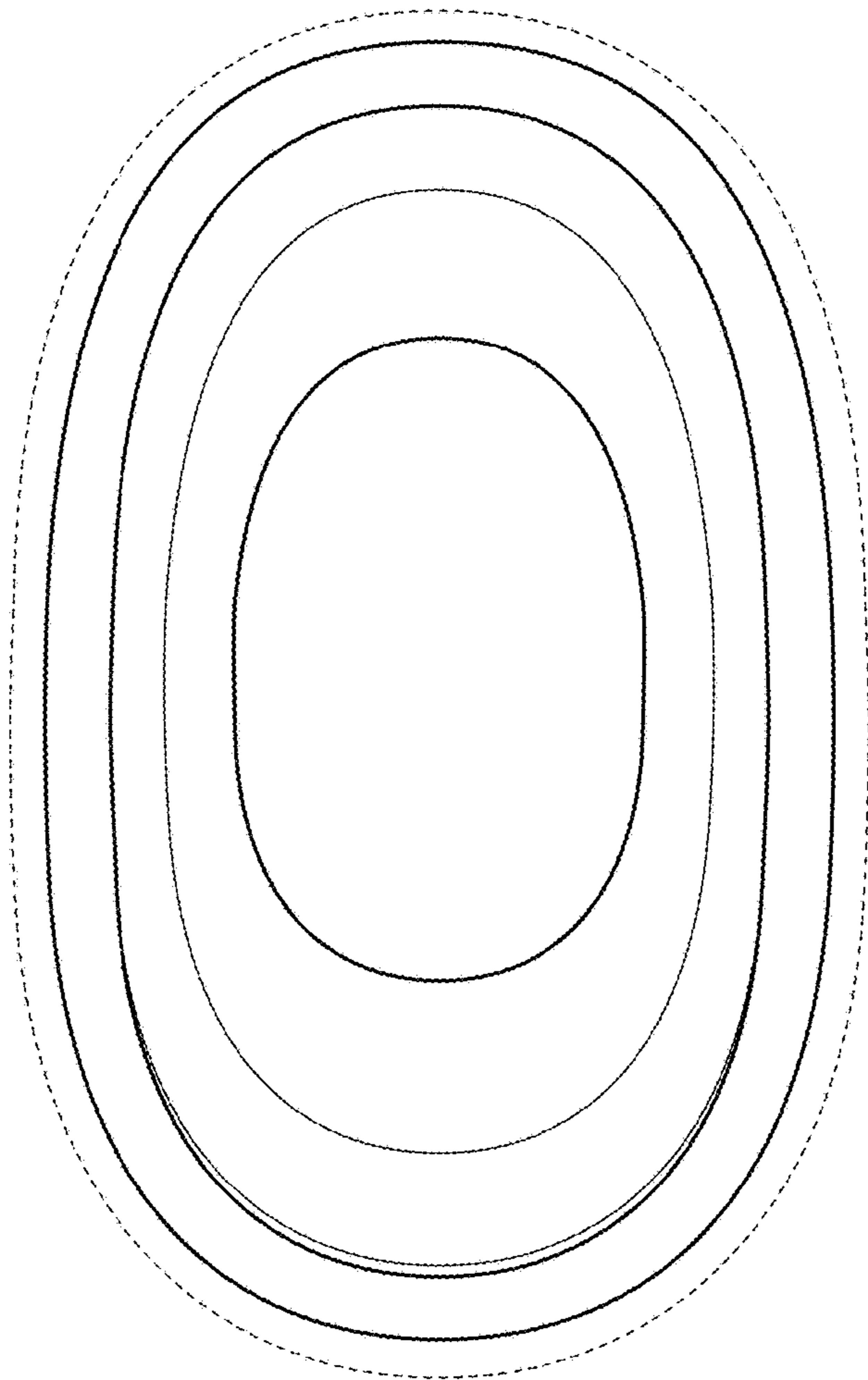


FIG. 6

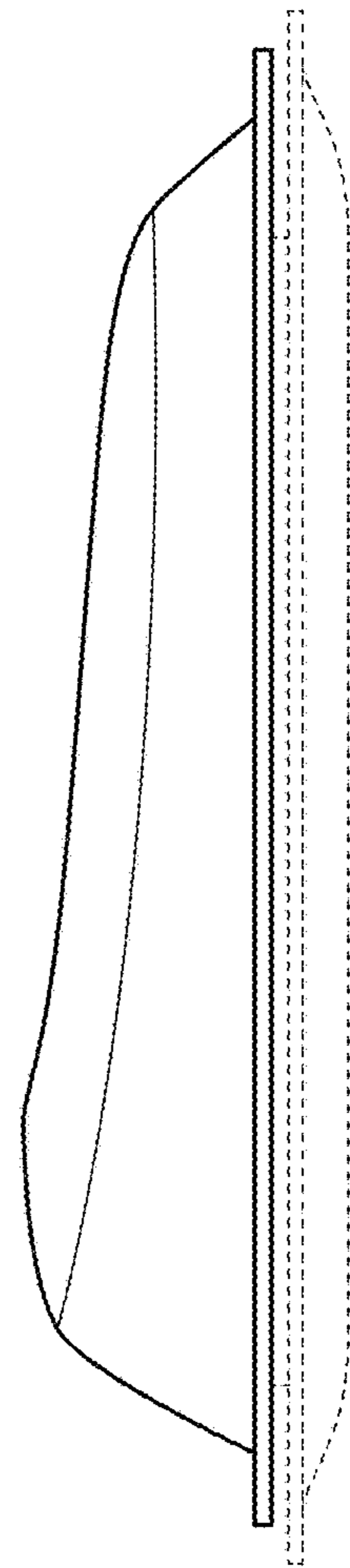


FIG. 7

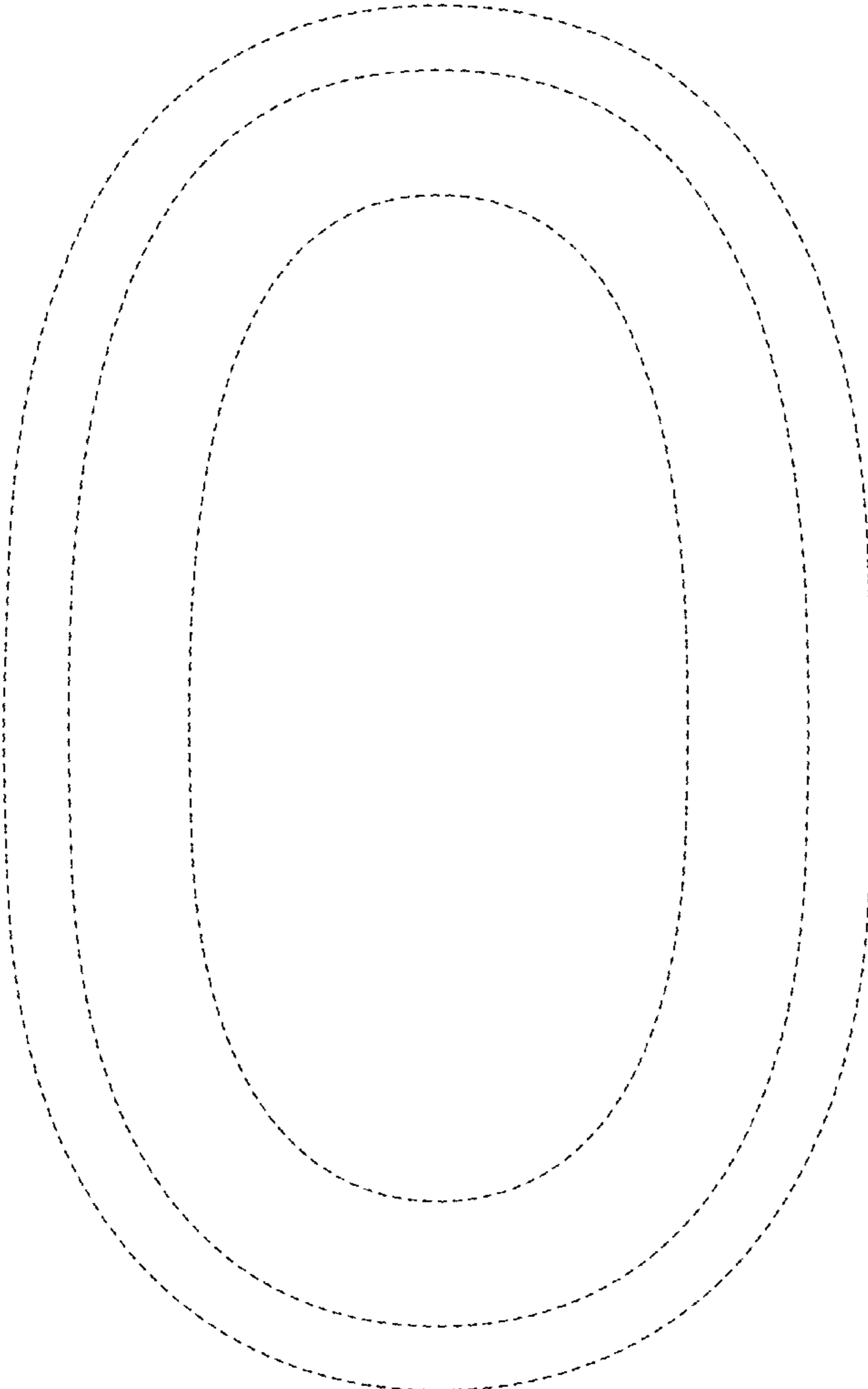


FIG. 8

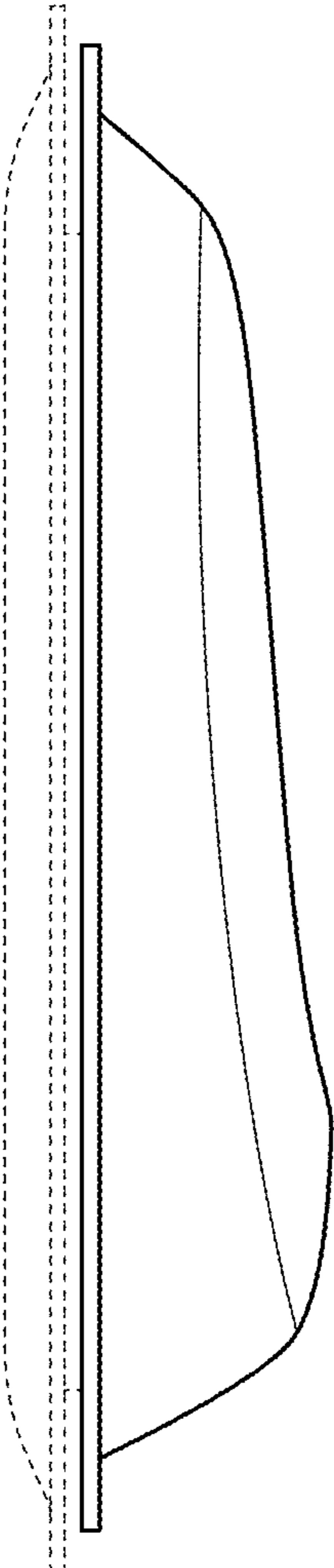


FIG. 9

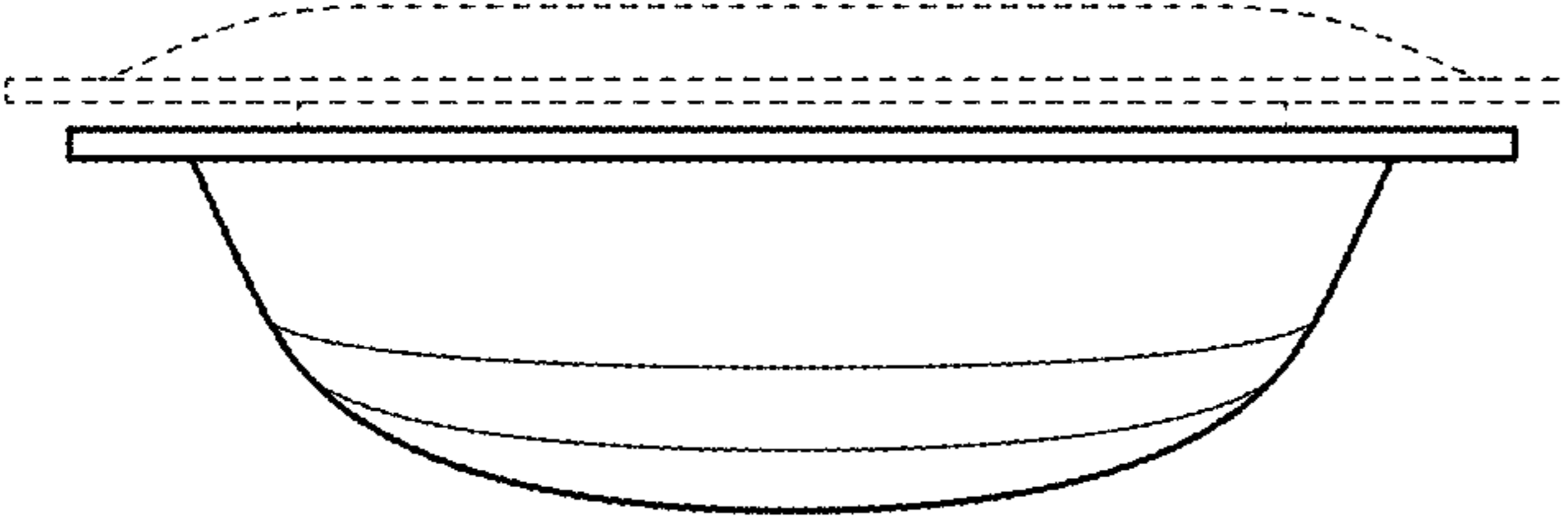


FIG. 10

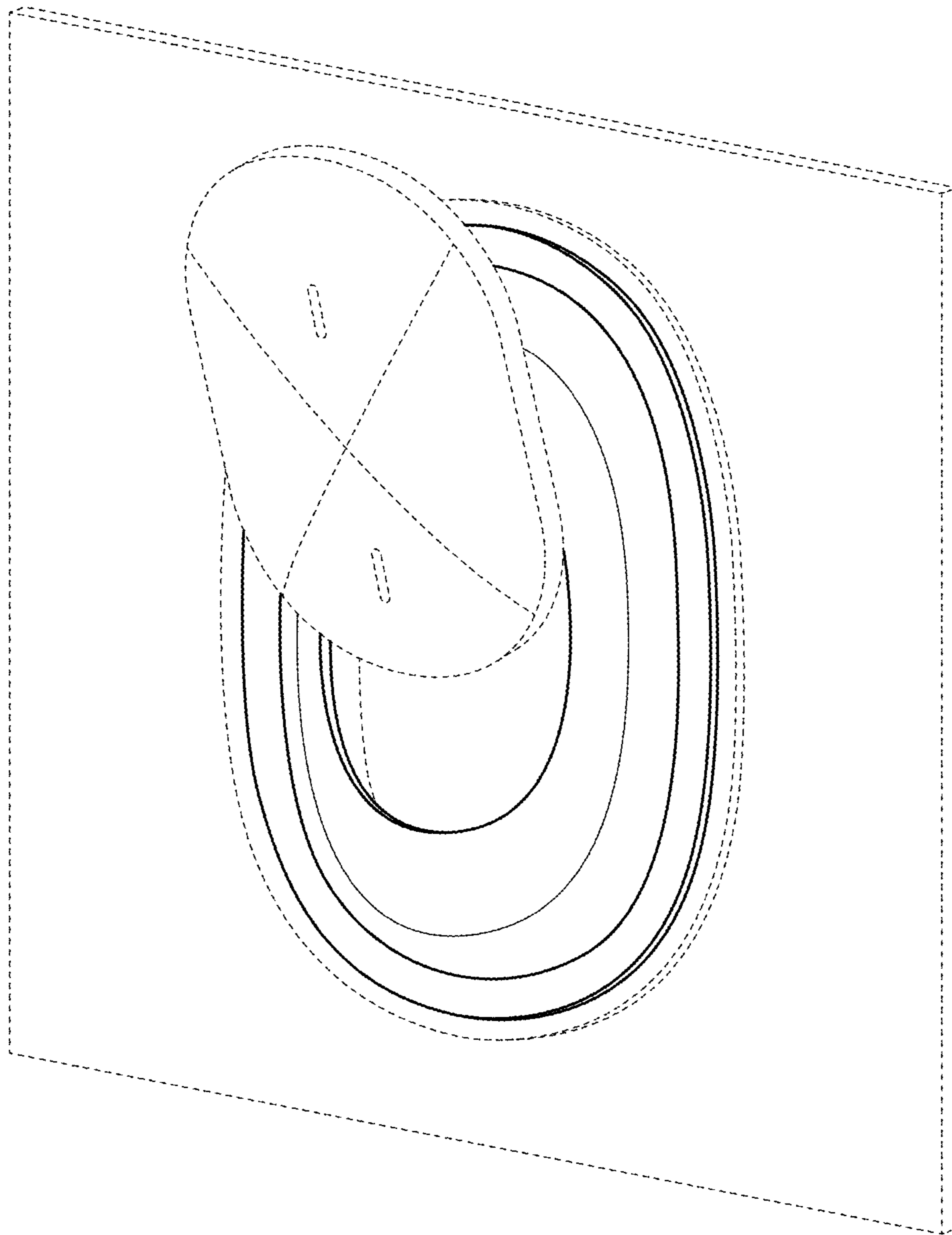


FIG. 11